

[54] **SPOUT**

[75] **Inventor: Herbert Reinecke, Iserlohn, Fed. Rep. of Germany**

[73] **Assignee: Aloys F. Dornbracht GmbH & Co., Iserlohn, Fed. Rep. of Germany**

[**] **Term: 14 Years**

[21] **Appl. No.: 905,235**

[22] **Filed: Sep. 8, 1986**

[30] **Foreign Application Priority Data**

Mar. 13, 1986 [DE] Fed. Rep. of Germany MR-7474

Aug. 25, 1986 [DE] Fed. Rep. of Germany MR-7498

[52] **U.S. Cl. D23/255**

[58] **Field of Search D23/238, 255-257; 4/191, 192; 137/801**

[56] **References Cited**

U.S. PATENT DOCUMENTS

D. 65,301	7/1924	Ross	D23/238
D. 149,196	4/1948	Little et al.	D23/238
D. 149,379	4/1948	Sagre	D23/238
D. 183,672	10/1958	Barker	D23/238
D. 217,670	5/1970	Rowlands	D23/238
D. 227,761	7/1973	Arbon	D23/238
D. 227,762	7/1973	Arbon	D23/238
D. 263,991	4/1982	Fleischmann	D23/257
D. 287,395	12/1986	Piesco	D23/255
3,623,510	11/1971	Hare et al.	D23/238 X

Primary Examiner—James R. Largen
Attorney, Agent, or Firm—Herbert Dubno; Ronald Lianides

[57] **CLAIM**

The ornamental design for a spout, as shown and described.

DESCRIPTION

FIG. 1 is a front elevational view of a spout showing my new design;

FIG. 2 is a left side elevational view thereof, the right side being a mirror image of the left side shown;

FIG. 3 is a rear elevational view thereof;

FIG. 4 is a top plan view thereof;

FIG. 5 is a bottom plan view thereof;

FIG. 6 is a front elevational view of a modified form of the spout shown in FIG. 1;

FIG. 7 is a left side elevational view of FIG. 6, the right side being a mirror image of the left side shown;

FIG. 8 is a rear elevational of FIG. 6;

FIG. 9 is a top plan view of FIG. 6;

FIG. 10 is a bottom plan view of FIG. 6;

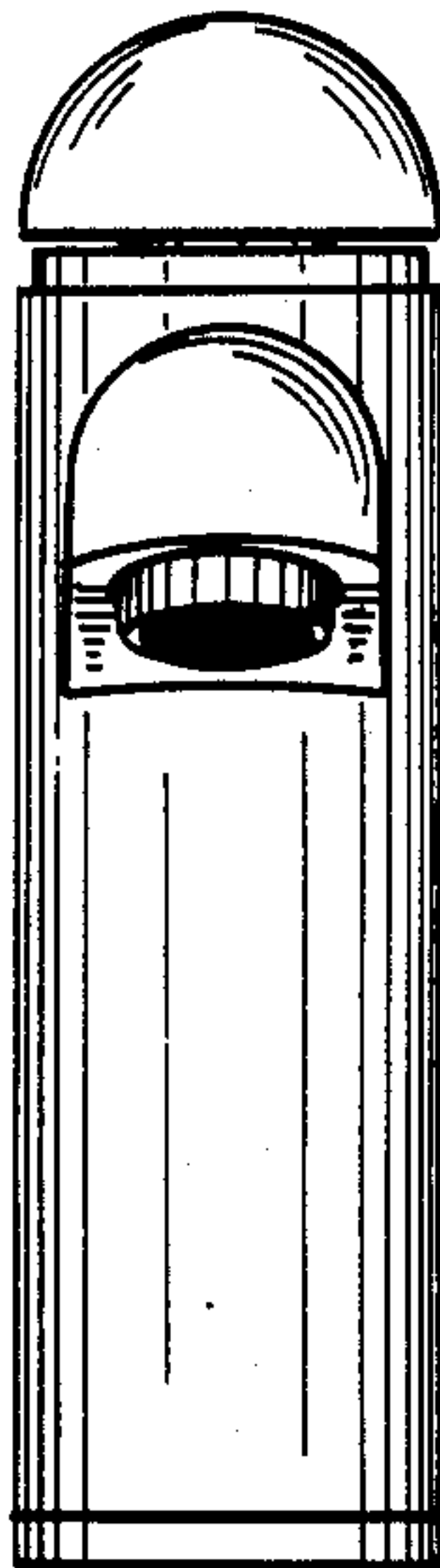
FIG. 11 is a front elevational view of a second modified form of the spout shown in FIG. 1;

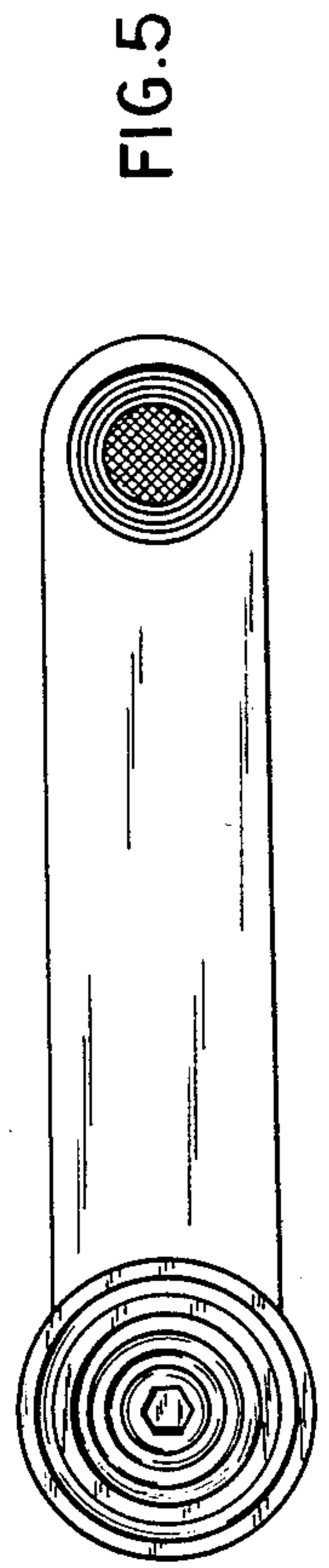
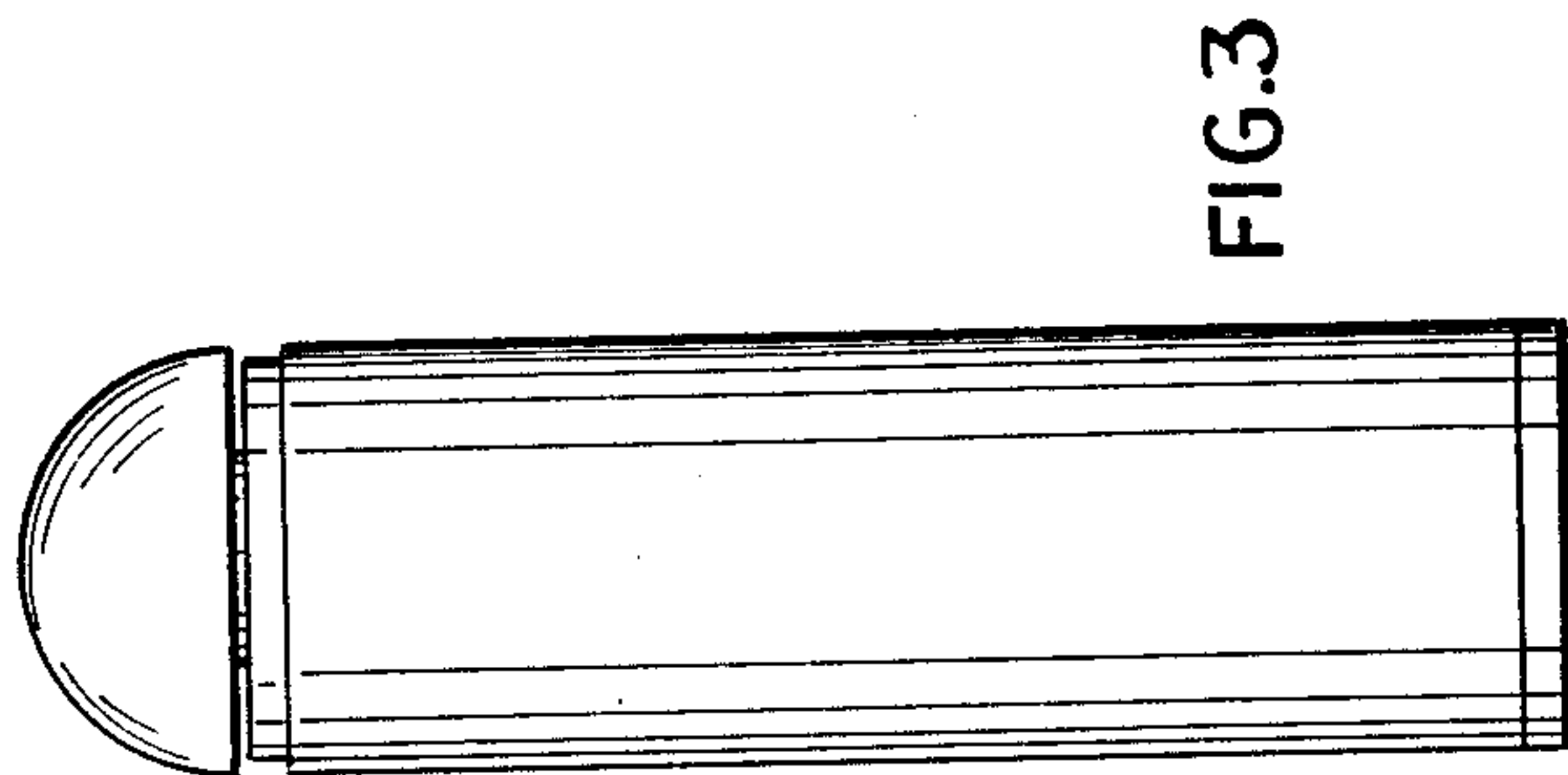
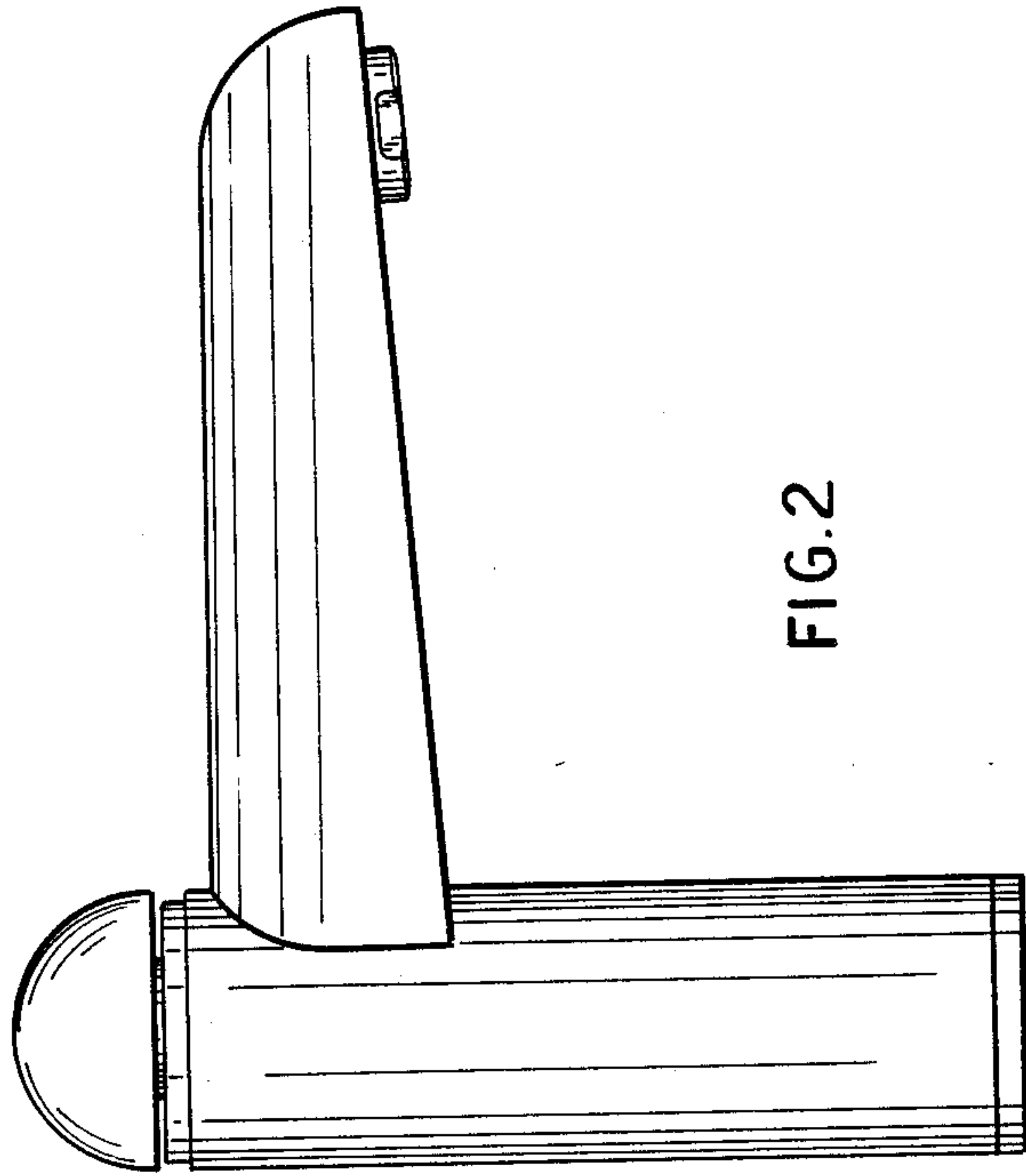
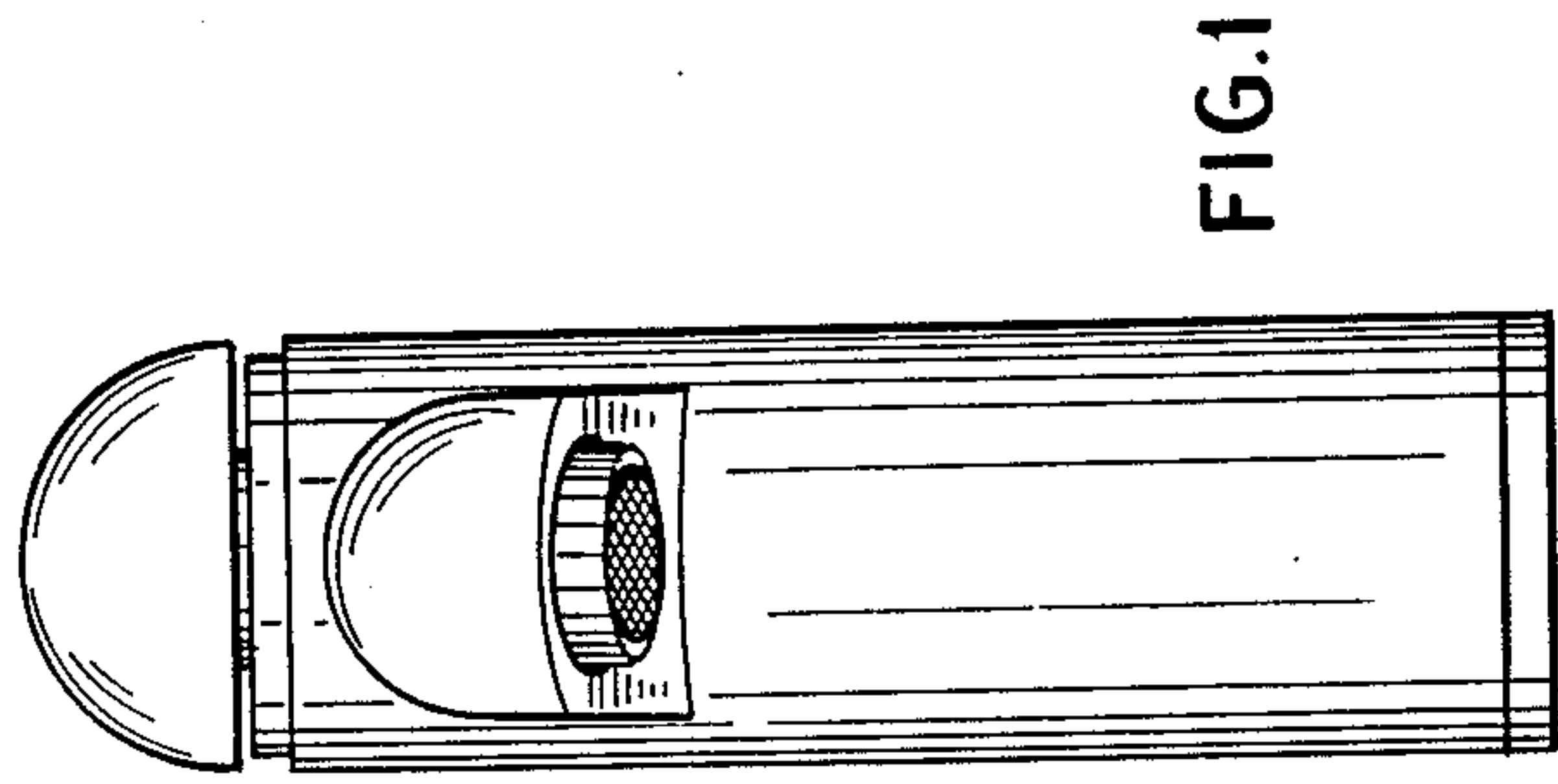
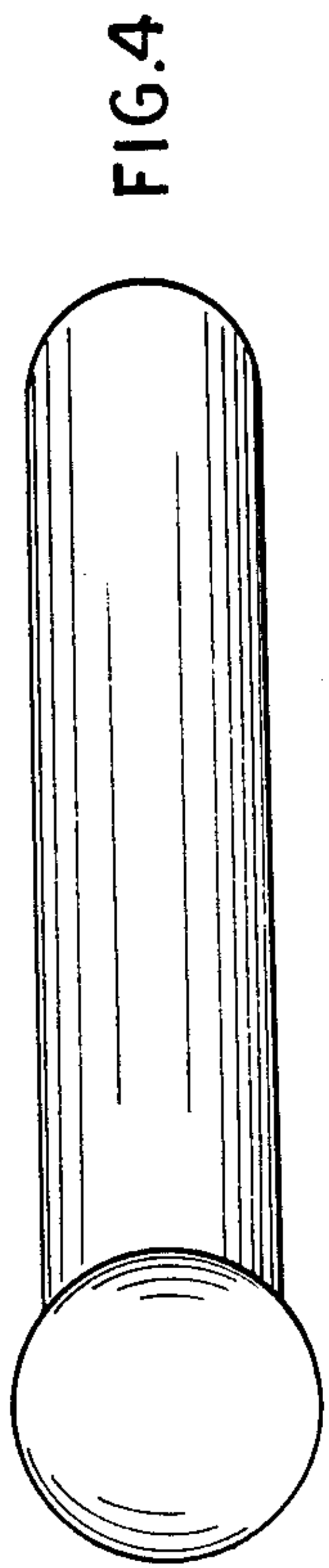
FIG. 12 is a left side elevational view of FIG. 11, the right side being a mirror image of the left side shown;

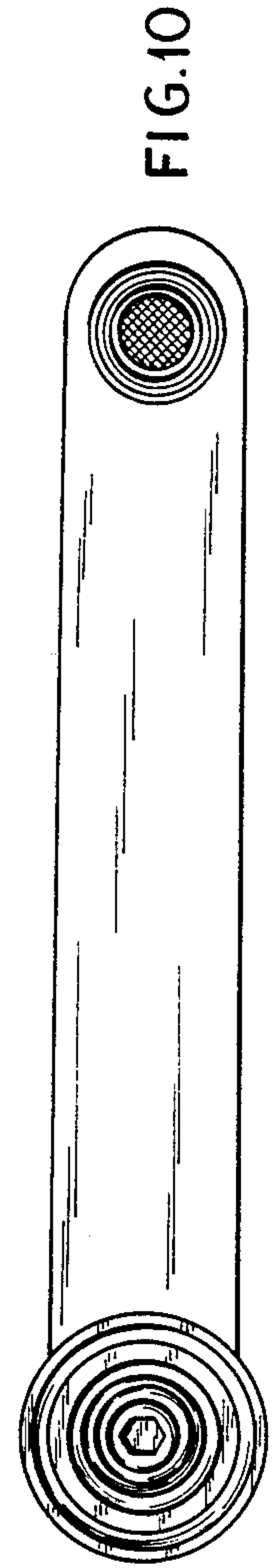
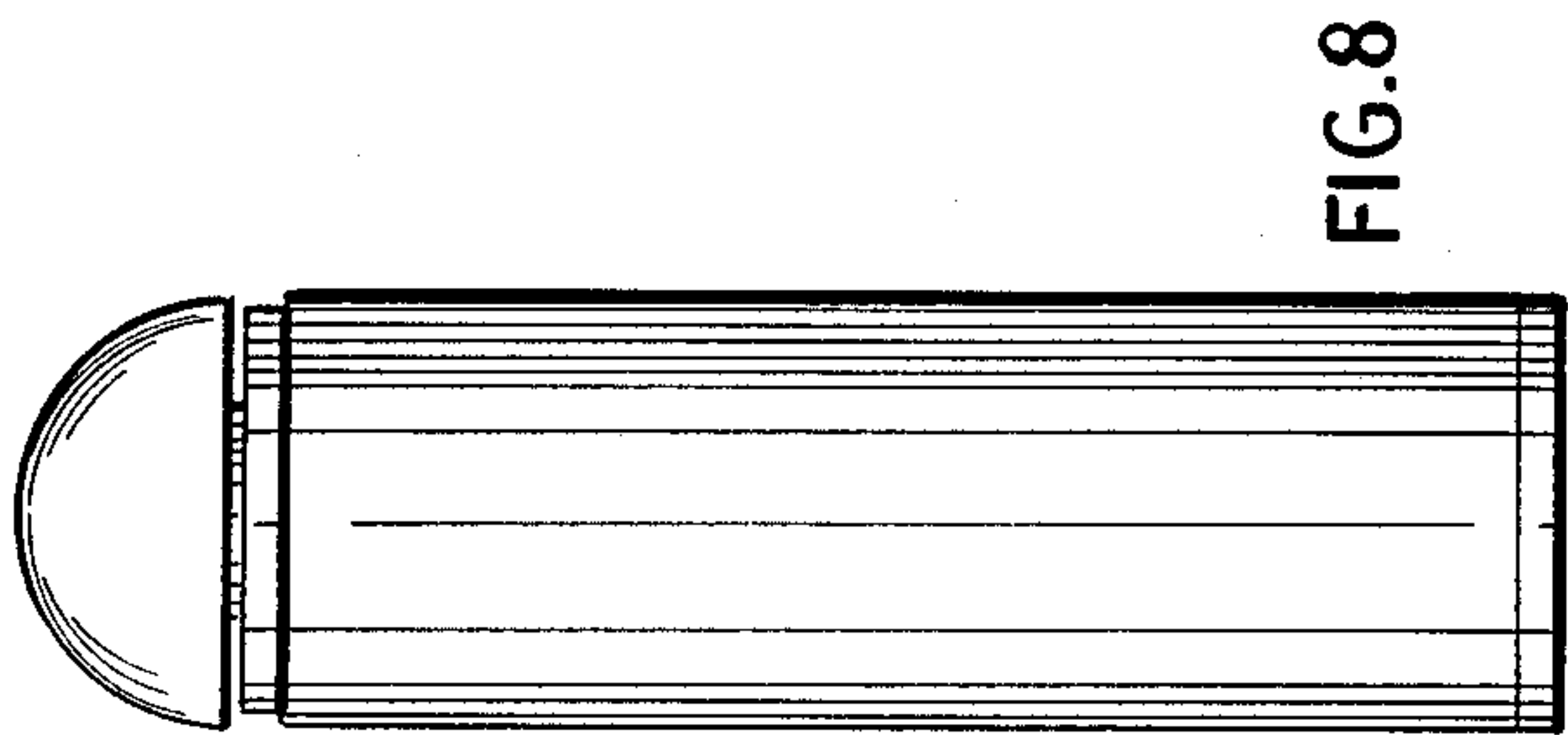
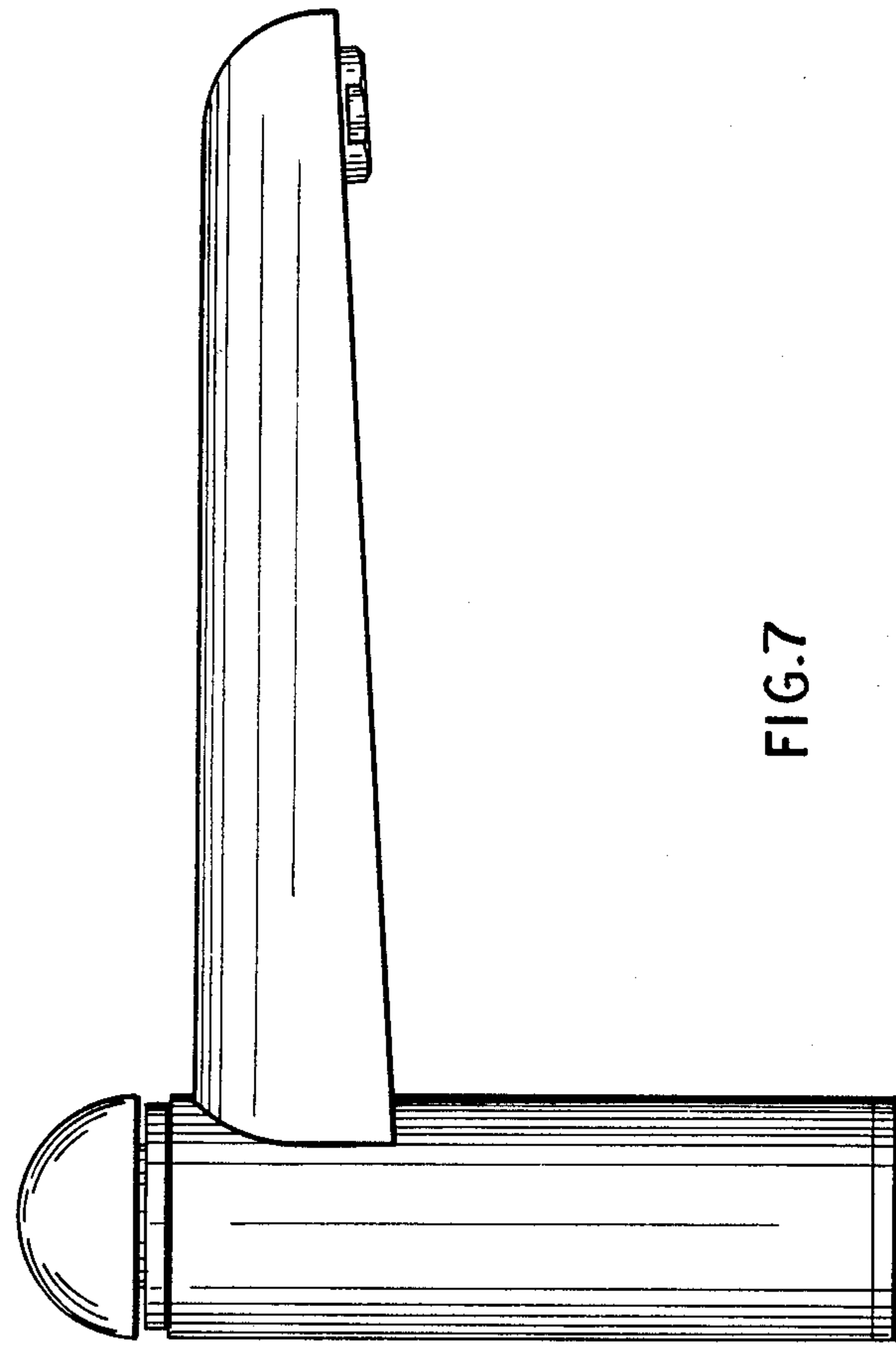
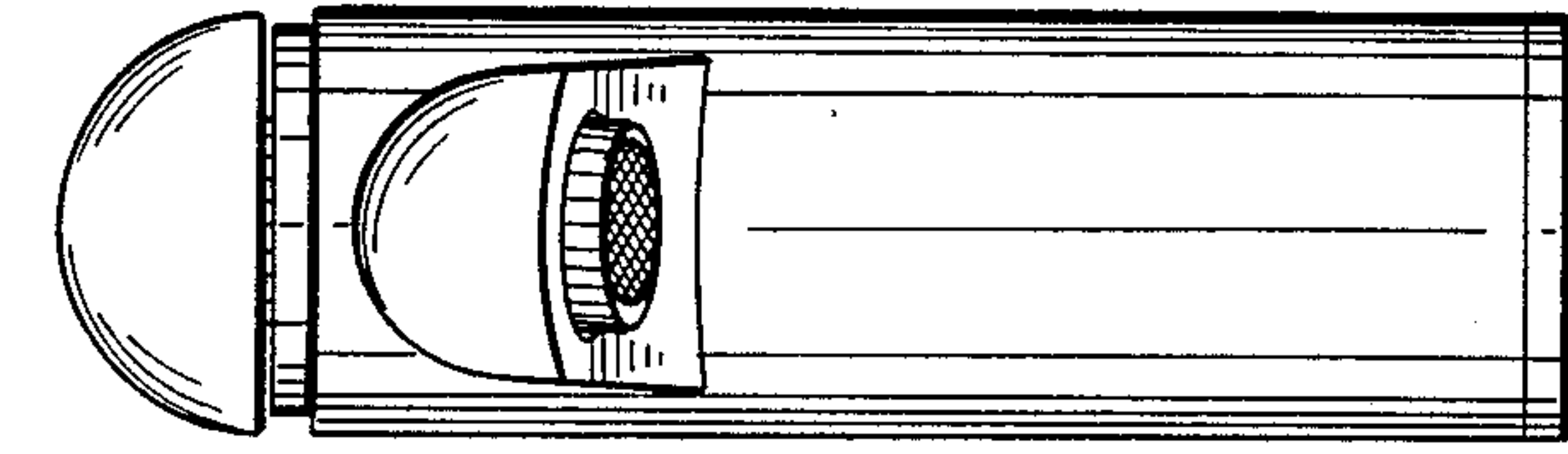
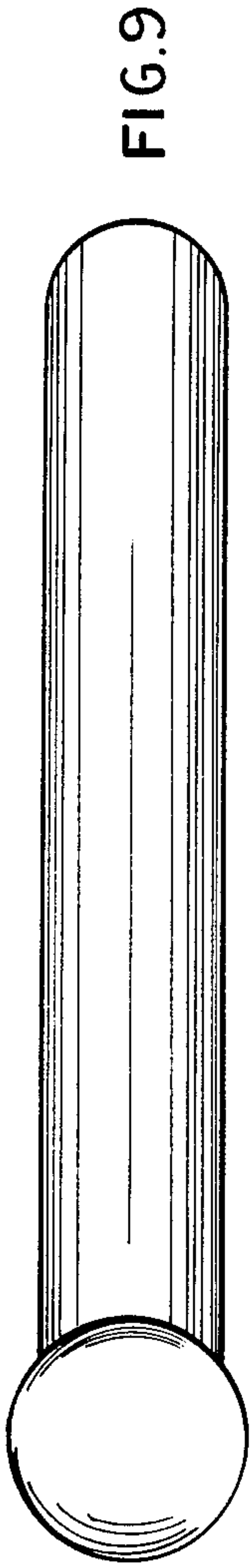
FIG. 13 is a rear elevational view of FIG. 11;

FIG. 14 is a top plan view of FIG. 11; and

FIG. 15 is a bottom plan view of FIG. 11.







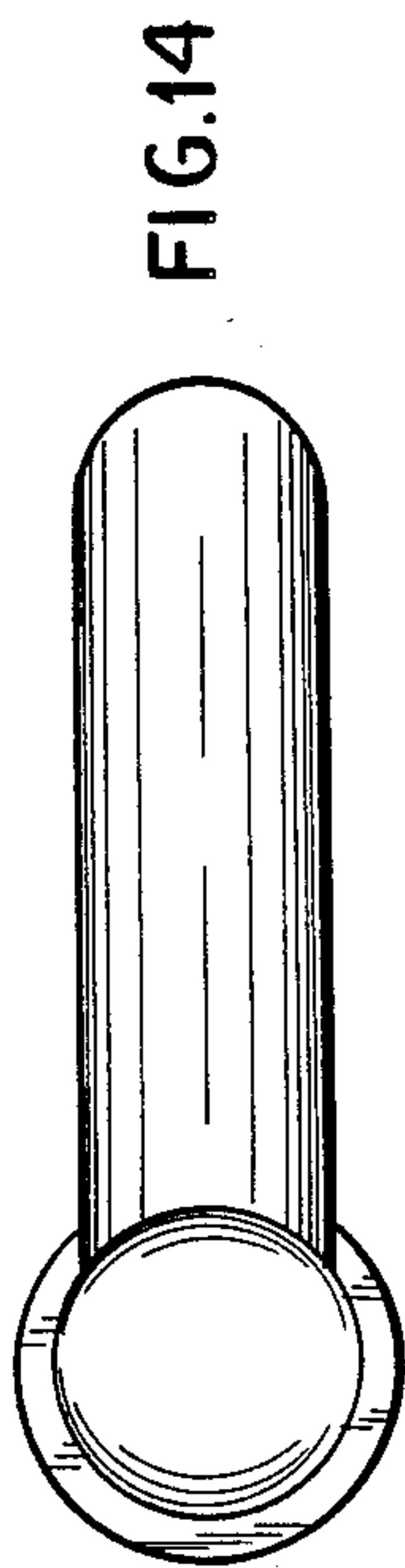


FIG. 14

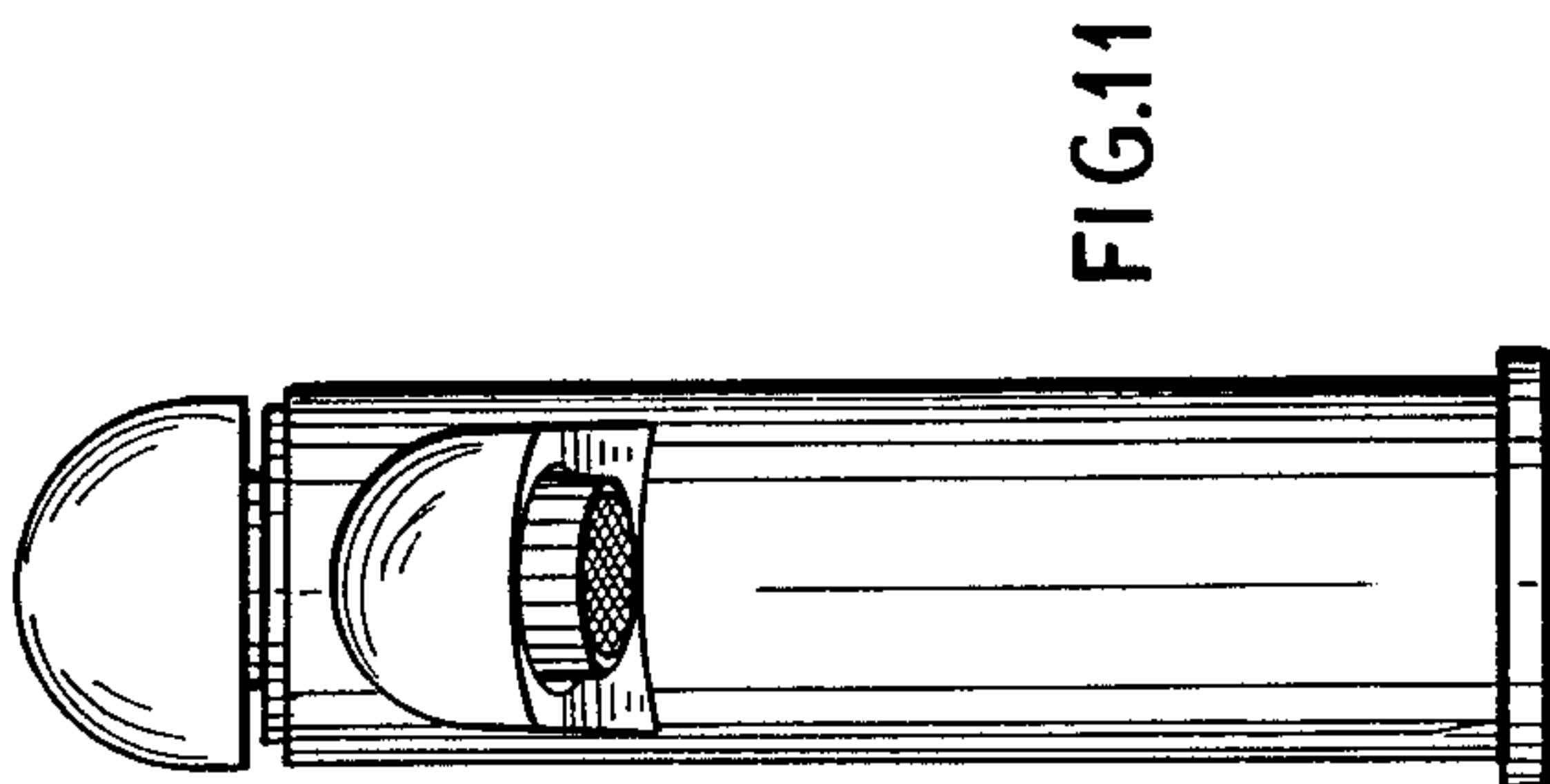


FIG. 11

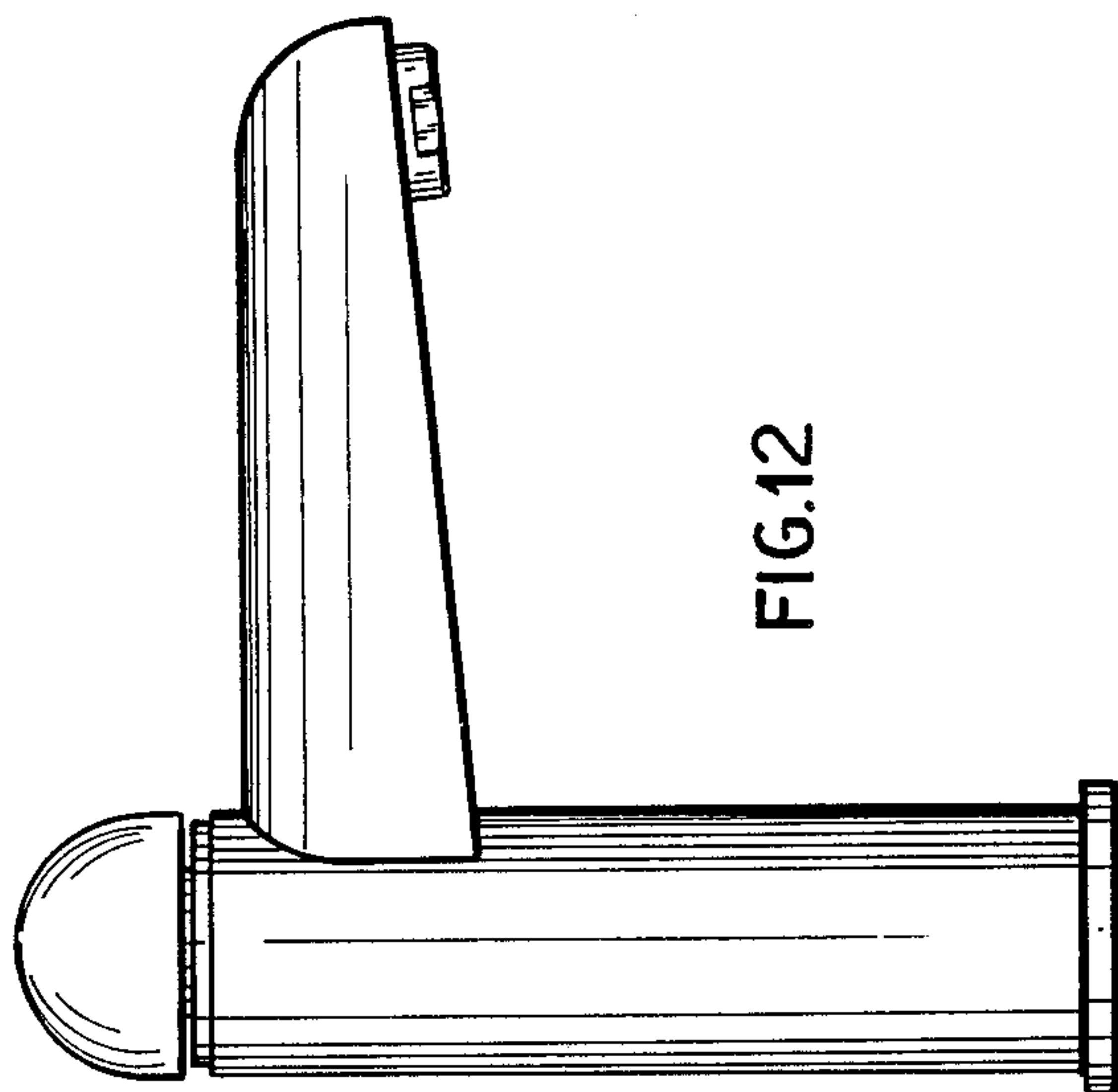


FIG. 12

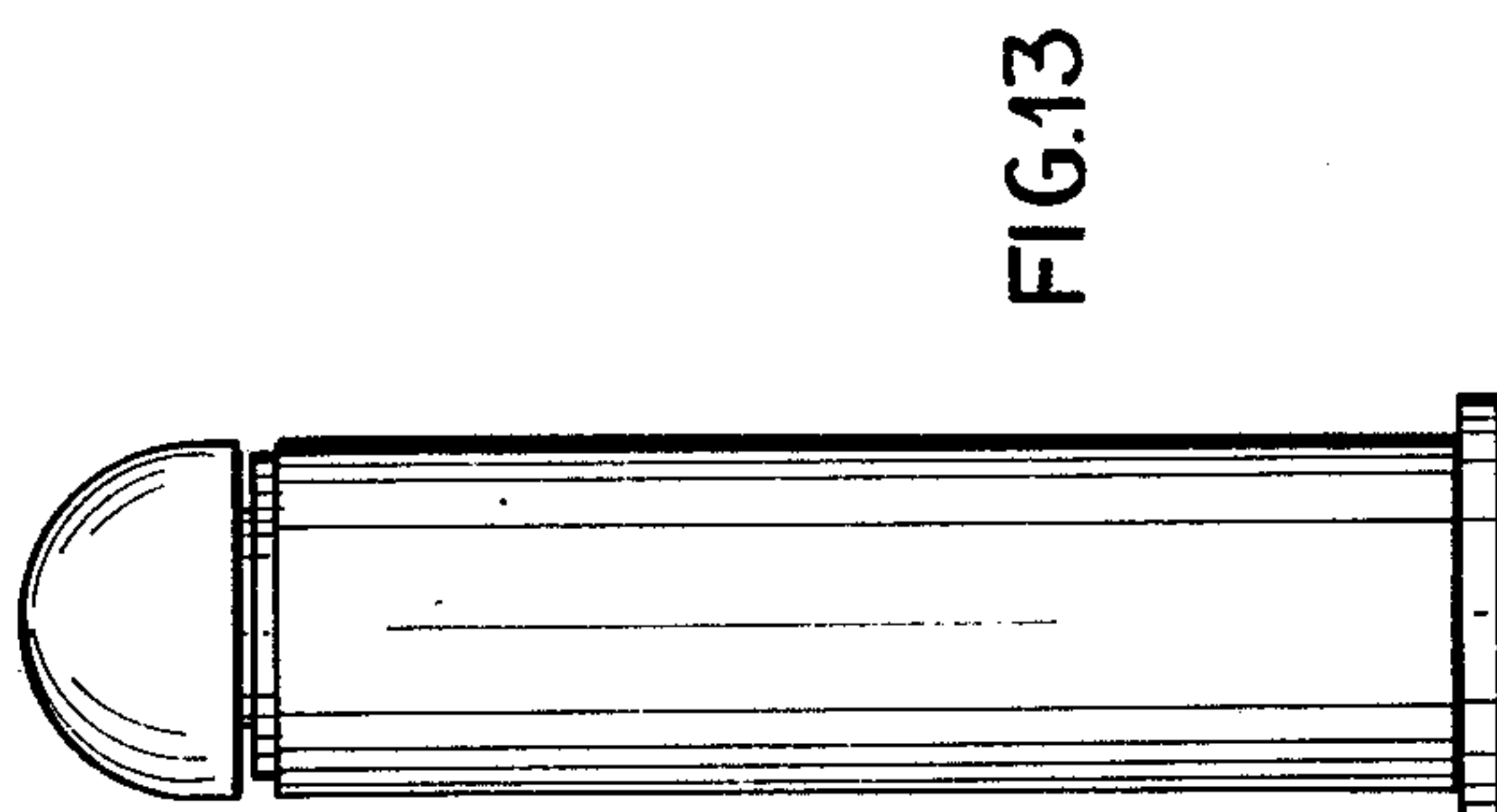


FIG. 13

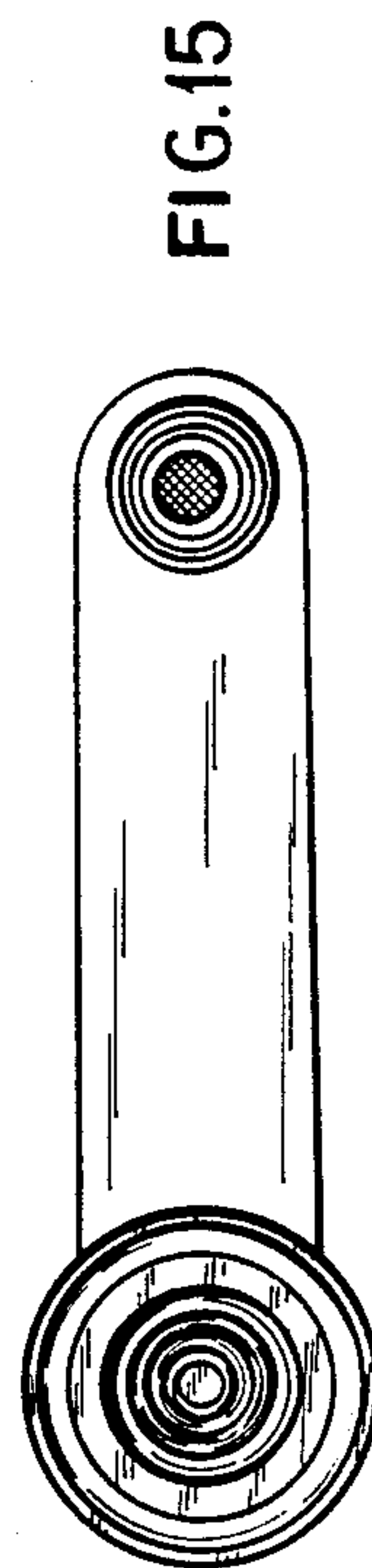


FIG. 15