

[54] HOUSING FOR A SHUT-OFF VALVE

[75] Inventors: Paul S. Elder, Meeker, Colo.; Harold E. Damratowski, Alda, Nebr.

[73] Assignee: Elder Valve, Inc., Meeker, Colo.

[**] Term: 14 Years

[21] Appl. No.: 836,564

[22] Filed: Feb. 24, 1986

[52] U.S. Cl. D23/233; D23/263

[58] Field of Search D23/233-237, D23/244-249, 263; 138/94; 137/318, 363, 364, 368; 251/216

3,327,641	3/1965	Klosterman	103/170
3,799,182	3/1974	Long	137/15
3,923,082	12/1975	Blazek	138/89
3,934,813	1/1976	Jackson	251/62
3,948,282	4/1976	Yano	137/15
4,091,841	5/1978	Benecker et al.	138/89
4,100,929	7/1978	Harrison	137/15
4,122,869	10/1978	Roberson, Sr.	138/94 X
4,203,473	5/1980	Roberson, Sr.	138/94 X
4,369,813	1/1983	Thomas	138/94
4,458,721	7/1984	Yie et al.	138/93

OTHER PUBLICATIONS

Item 32 on p. 885 of the fall-winter 1974 Sears Catalogue.

Primary Examiner—James R. Largen
Attorney, Agent, or Firm—W. Scott Carson

[56] References Cited

U.S. PATENT DOCUMENTS

D. 22,865	10/1893	Pierce	D23/248
D. 300,171	3/1984	Been	D23/233
741,240	10/1903	Geekie .	
957,487	5/1910	Berry	137/363 X
1,181,984	5/1916	Arni	138/94 X
1,933,711	11/1933	Cornell, Jr.	285/156 X
2,038,870	4/1936	Rader et al.	285/156 X
2,121,558	6/1938	Coe et al.	285/156 X
2,457,418	12/1948	Turpin et al.	285/156
2,506,206	5/1950	Fulton	285/156 X
2,525,399	10/1950	Collison	285/156 X
2,693,110	5/1951	Terrell	73/213
3,116,756	1/1964	Alderson	285/156 X

[57] CLAIM

The ornamental design for a housing for a shut-off valve, as shown and described.

DESCRIPTION

FIG. 1 is a perspective view of a housing for a shut-off valve showing our new design.

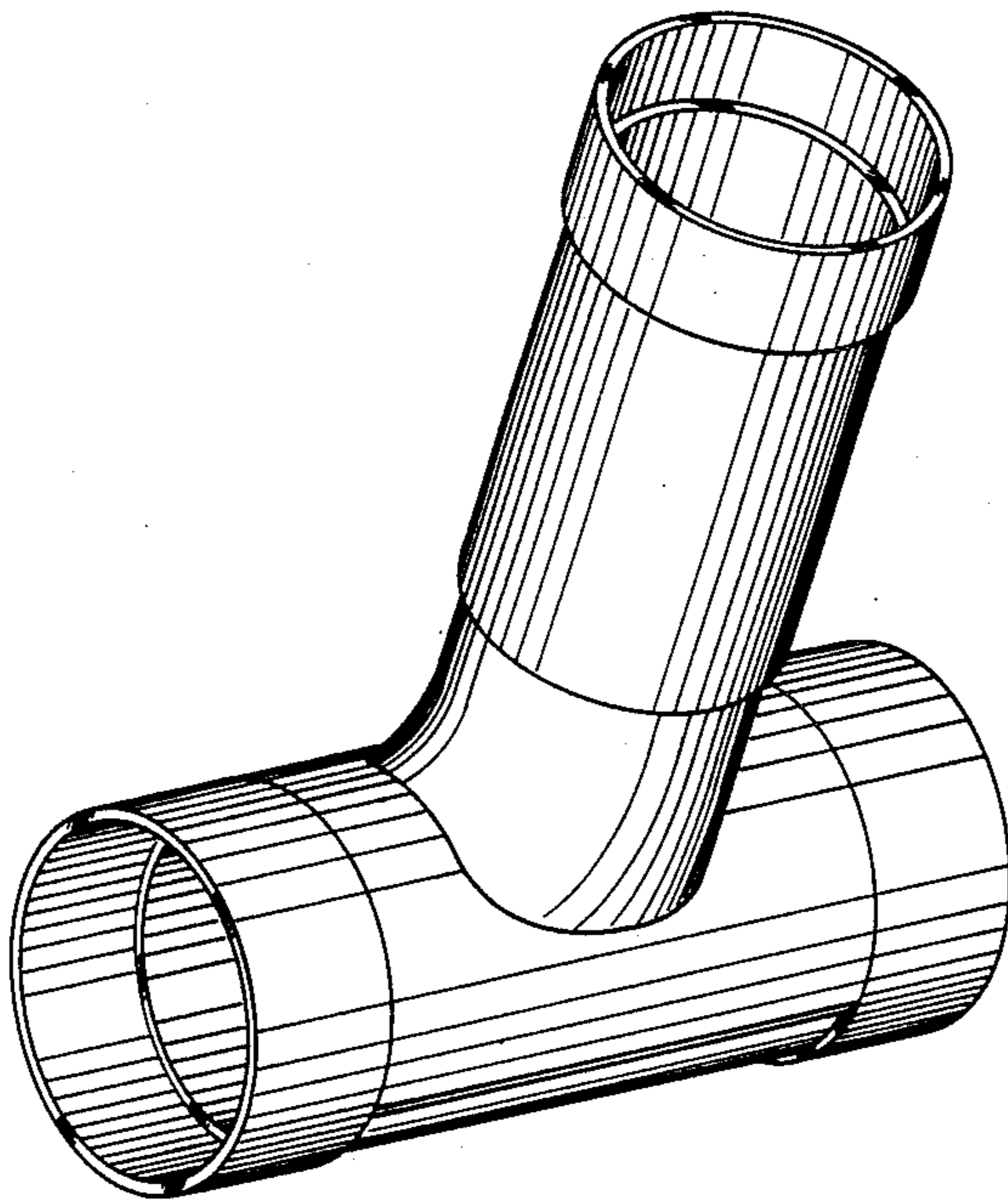
FIG. 2 is a side elevational view thereof, the opposite side being a mirror image of the side shown.

FIG. 3 is a front elevational view thereof.

FIG. 4 is a rear elevational view thereof.

FIG. 5 is a top plan view thereof.

FIG. 6 is a bottom plan view thereof.



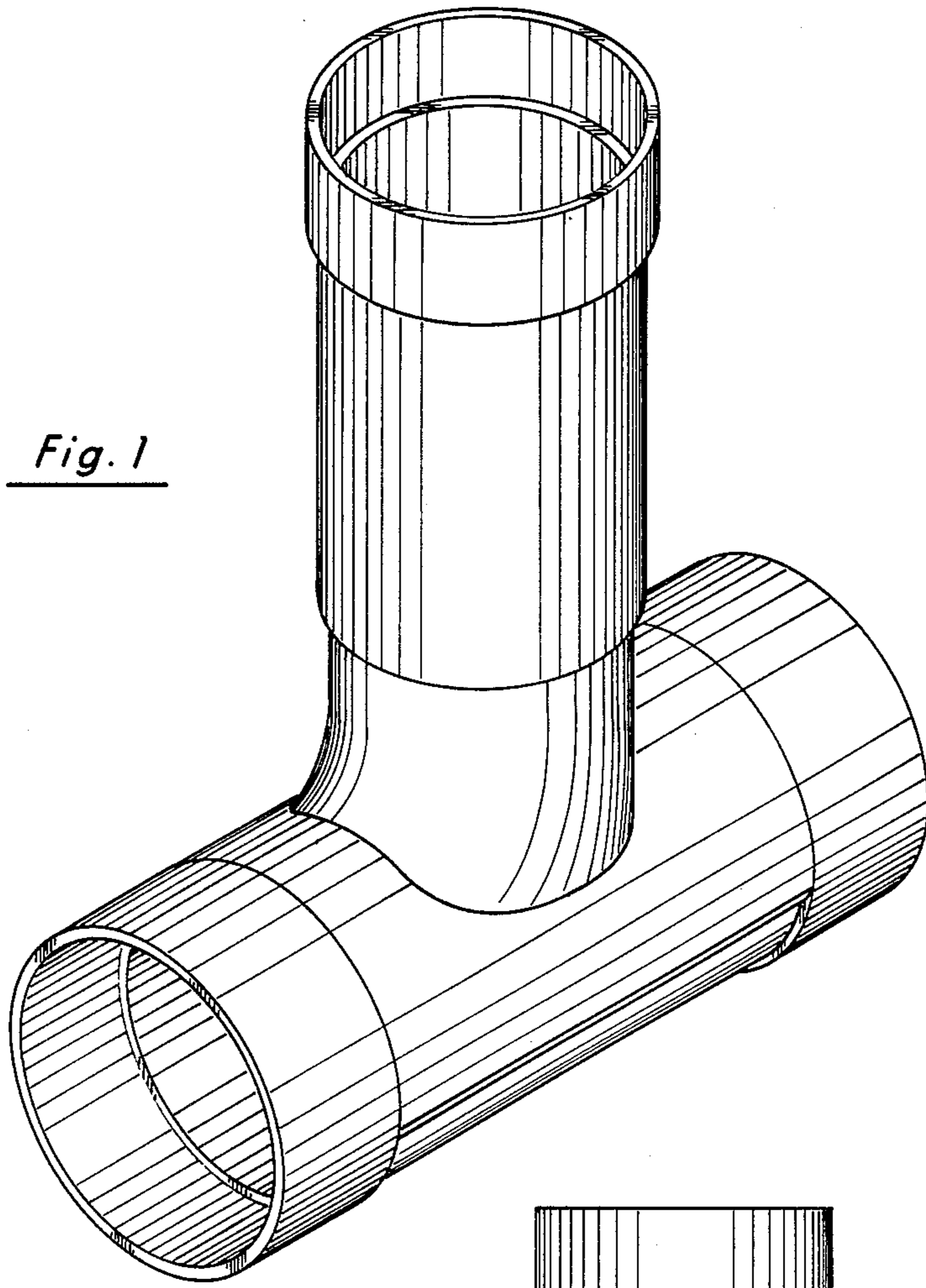


Fig. 1

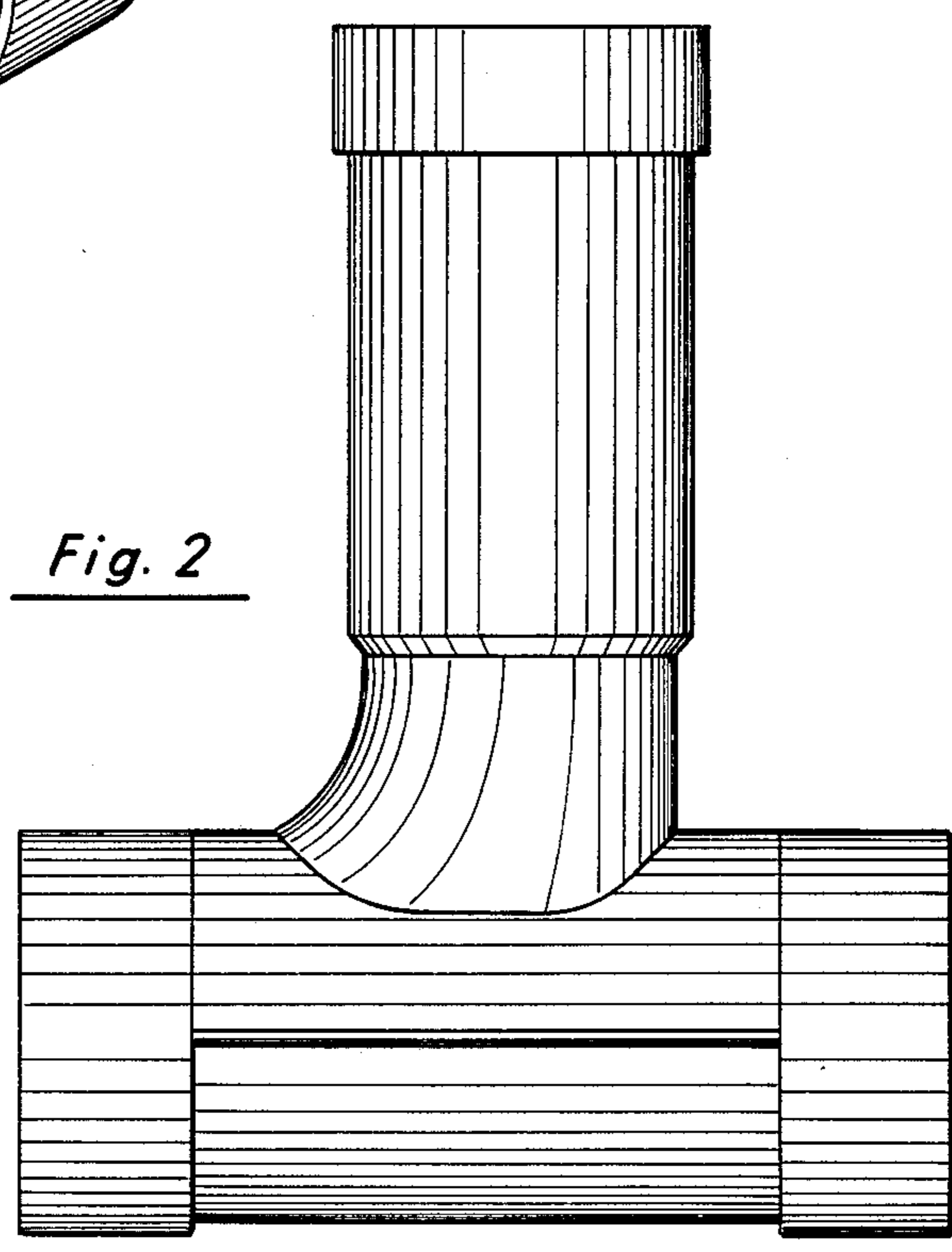


Fig. 2

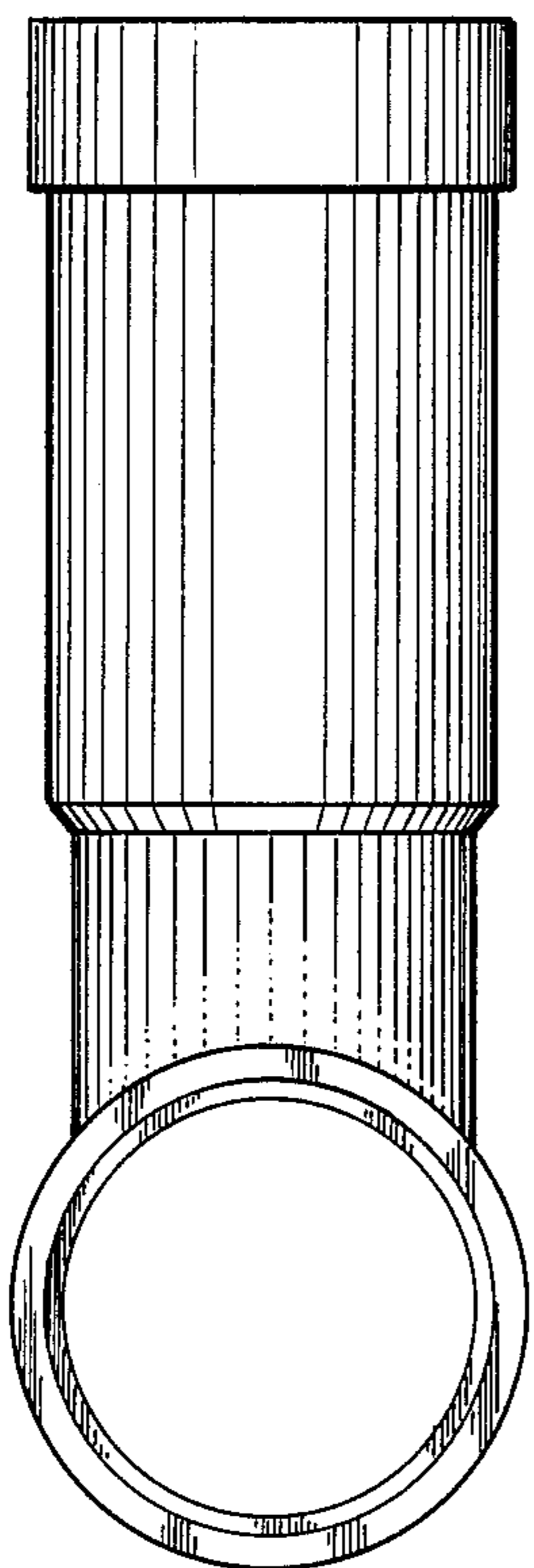


Fig. 3

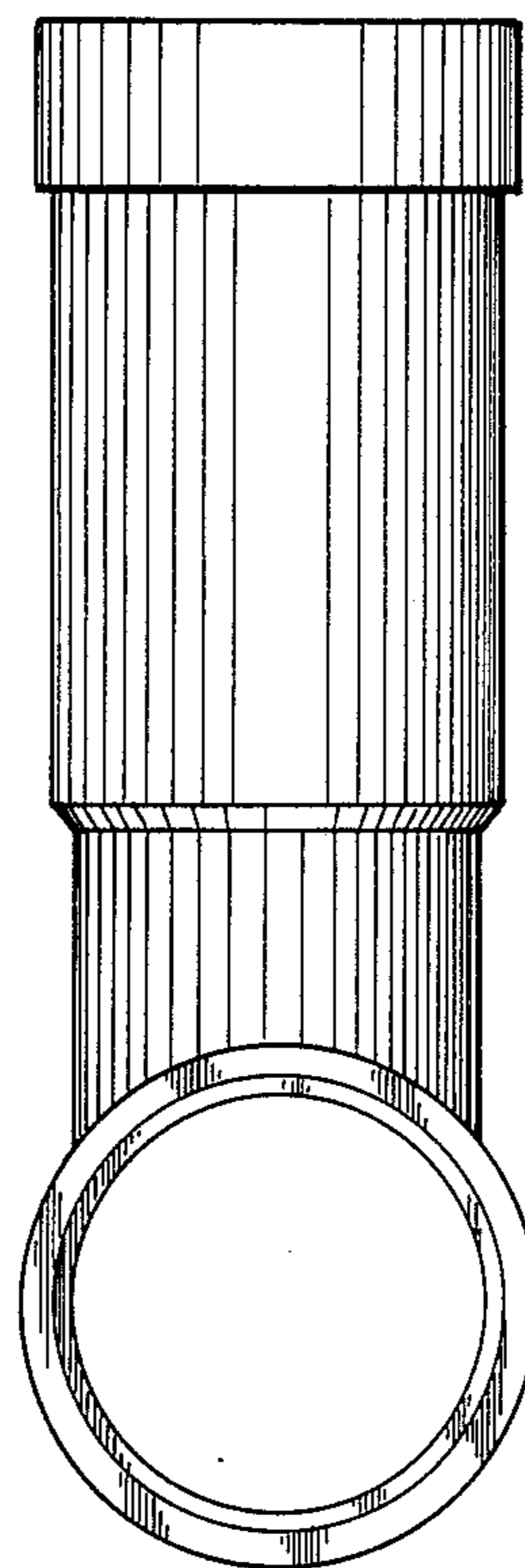


Fig. 4

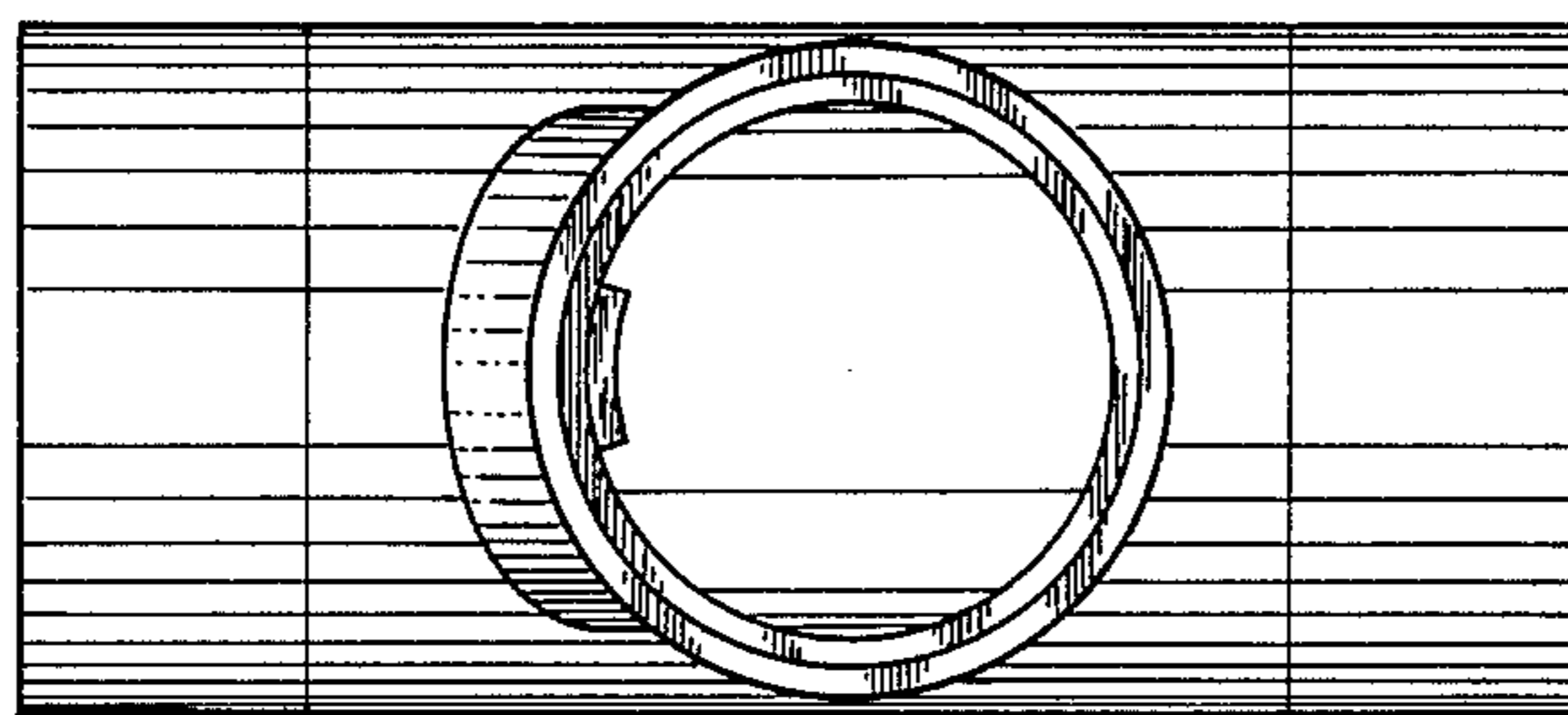


Fig. 5

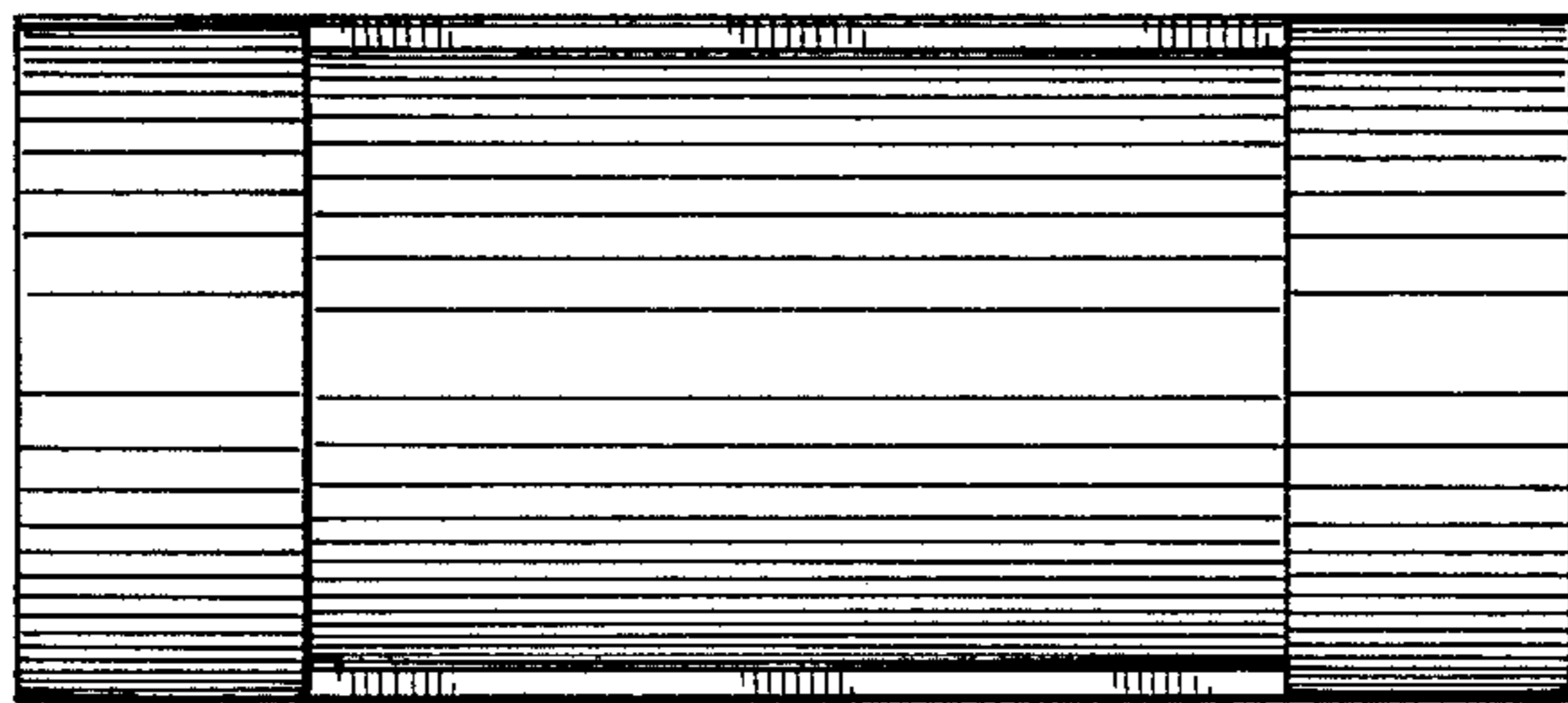


Fig. 6