

[54] **PULL TOY**

[75] **Inventors: Harry S. Thomson, Richmond; David M. Raffo; John A. Pape, both of Hitchin, all of England**

[73] **Assignee: Hestair Kiddicraft Limited, Bristol, England**

[**] **Term: 14 Years**

[21] **Appl. No.: 857,447**

[22] **Filed: Apr. 22, 1986**

[30] **Foreign Application Priority Data**

Nov. 4, 1985 [GB] United Kingdom 1030228
[52] **U.S. Cl. D21/105; D21/62**
[58] **Field of Search D21/59, 62, 185; 446/227, 228, 269, 278**

[56] **References Cited**

U.S. PATENT DOCUMENTS

D. 91,118	11/1933	Lorenzi	D21/62
D. 167,006	6/1952	Schaper	D21/185
D. 208,561	9/1967	Dundar	D21/185
D. 296,456	6/1988	Guidry	D21/185
4,629,440	12/1986	McKittrick et al.	D21/185

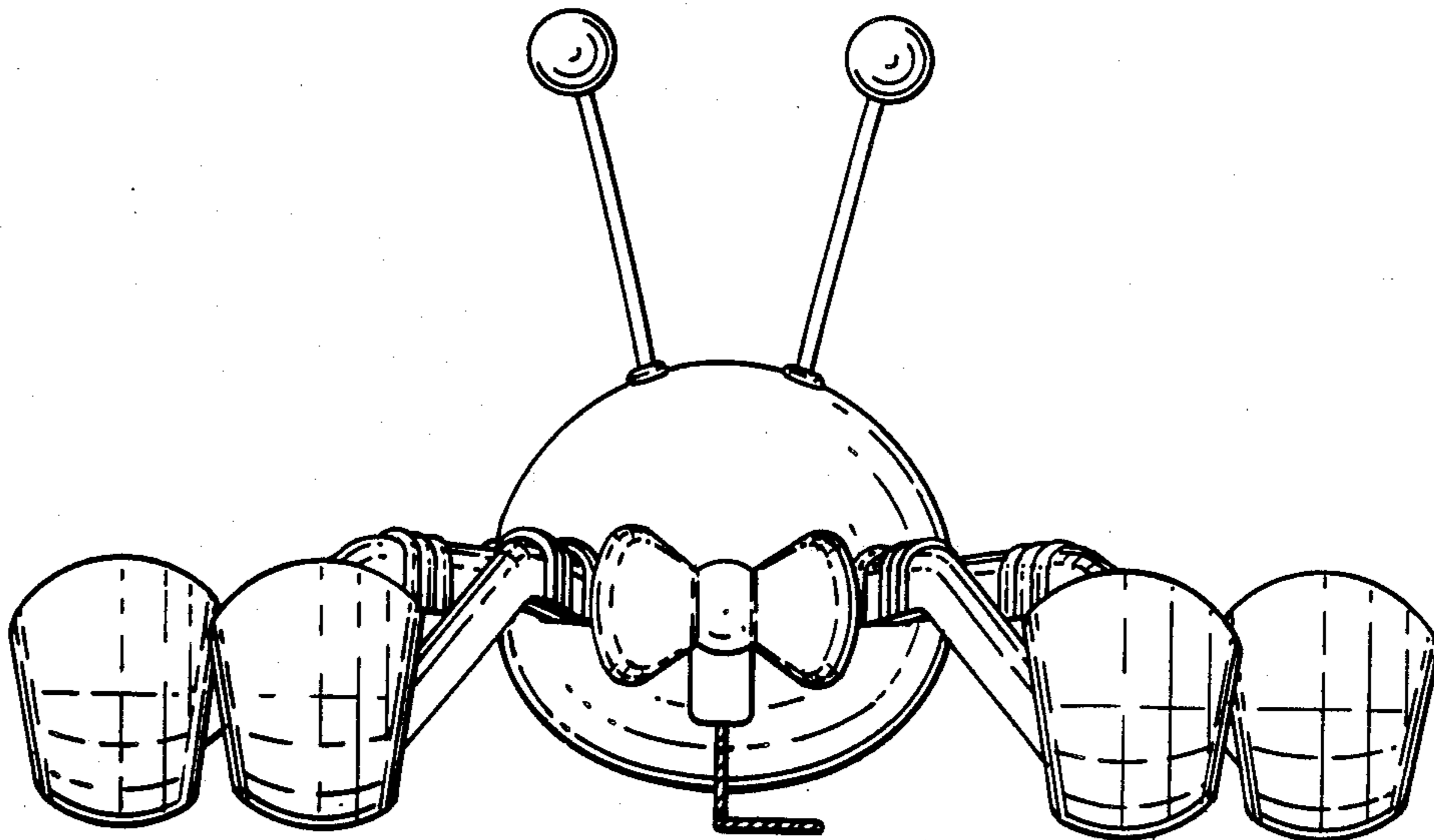
Primary Examiner—Charles A. Rademaker

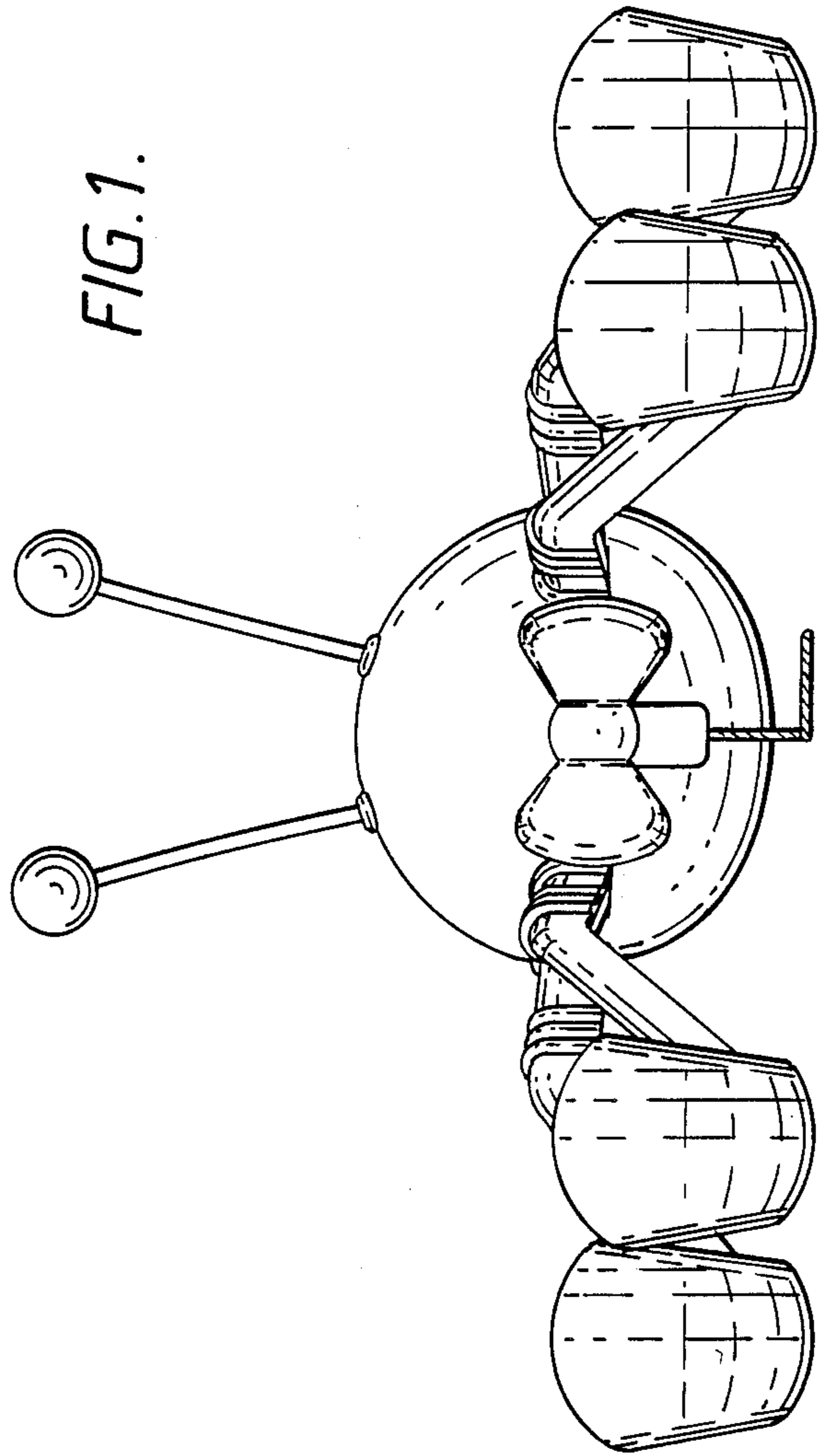
[57] **CLAIM**

The ornamental design for pull toy, as shown and described.

DESCRIPTION

FIG. 1 is a front elevational view of a pull toy showing our new design;
FIG. 2 is a side elevational view thereof, the side opposite being substantially a mirror image;
FIG. 3 is a top plan view thereof;
FIG. 4 is a bottom plan view thereof.





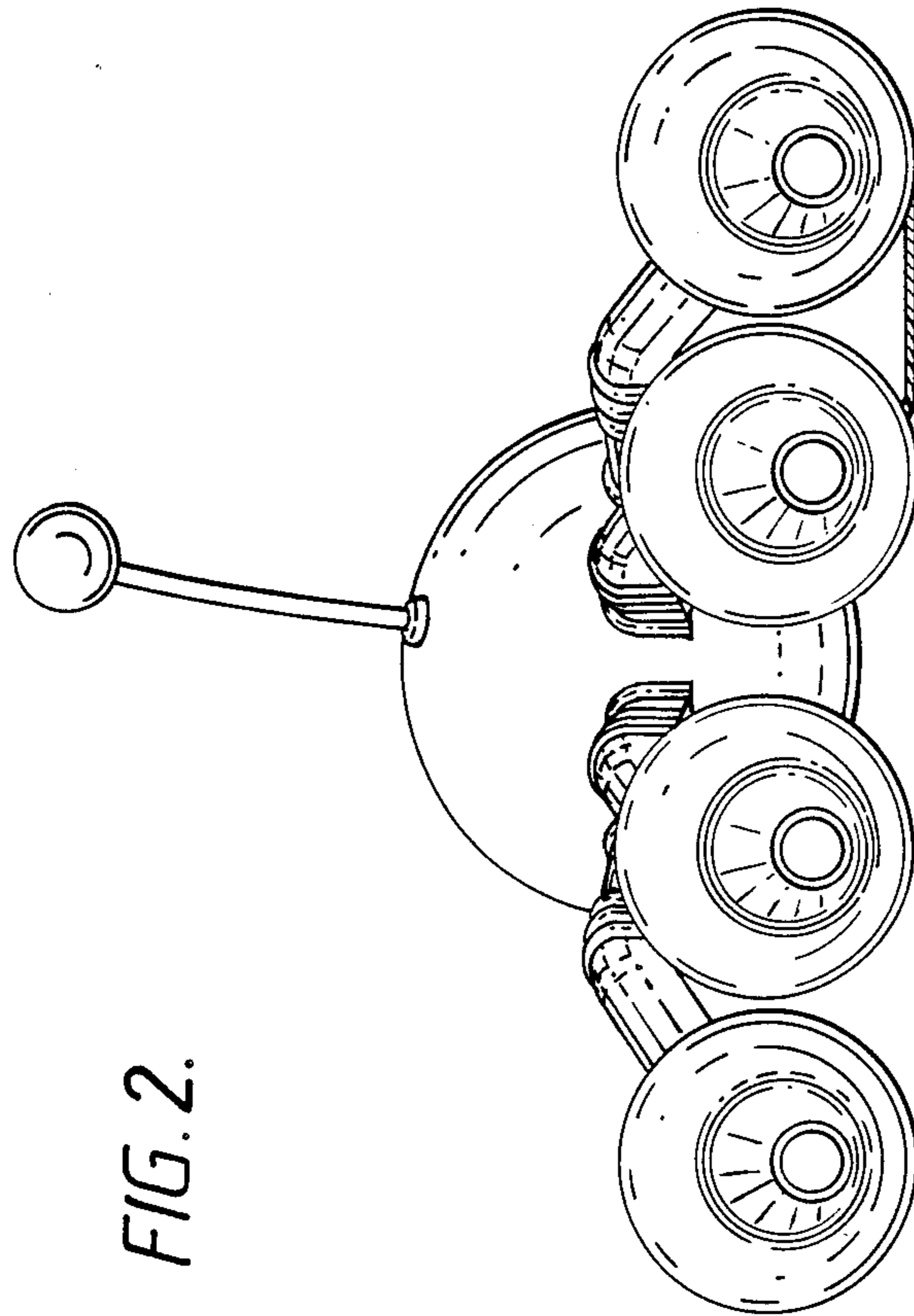


FIG. 2.

