

[54] STEERING GEAR FOR A TOY VEHICLE

[75] Inventor: Ole V. Poulsen, Vejle, Denmark

[73] Assignee: Interlego A.G., Switzerland

[\*\*] Term: 14 Years

[21] Appl. No.: 128,528

[22] Filed: Dec. 2, 1987

[52] U.S. Cl. .... D21/141; D21/108

[58] Field of Search ..... D21/59, 108, 109, 145; 446/85, 117, 119, 121, 124, 125

[56] References Cited

U.S. PATENT DOCUMENTS

D. 285,948	9/1986	Mazzoleni .....	D21/108
D. 290,475	6/1987	Knudsen et al. ....	D21/108
D. 290,477	6/1987	Ryaa et al. ....	D21/108
D. 290,721	7/1987	Ryaa et al. ....	D21/108
D. 291,460	8/1987	Mazzoleni .....	D21/108
2,609,638	9/1952	Lindenmeyer .....	D21/108
3,528,192	9/1970	Meates .....	446/124
4,690,656	9/1987	Friedmann et al. ....	446/95

OTHER PUBLICATIONS

J. C. Whitney & Co. Catalog #454D, 1985, p. 218, left side of page Steering, Suspension & Chassis Parts.

Primary Examiner—Charles A. Rademaker

Assistant Examiner—Alicia A. Farrell

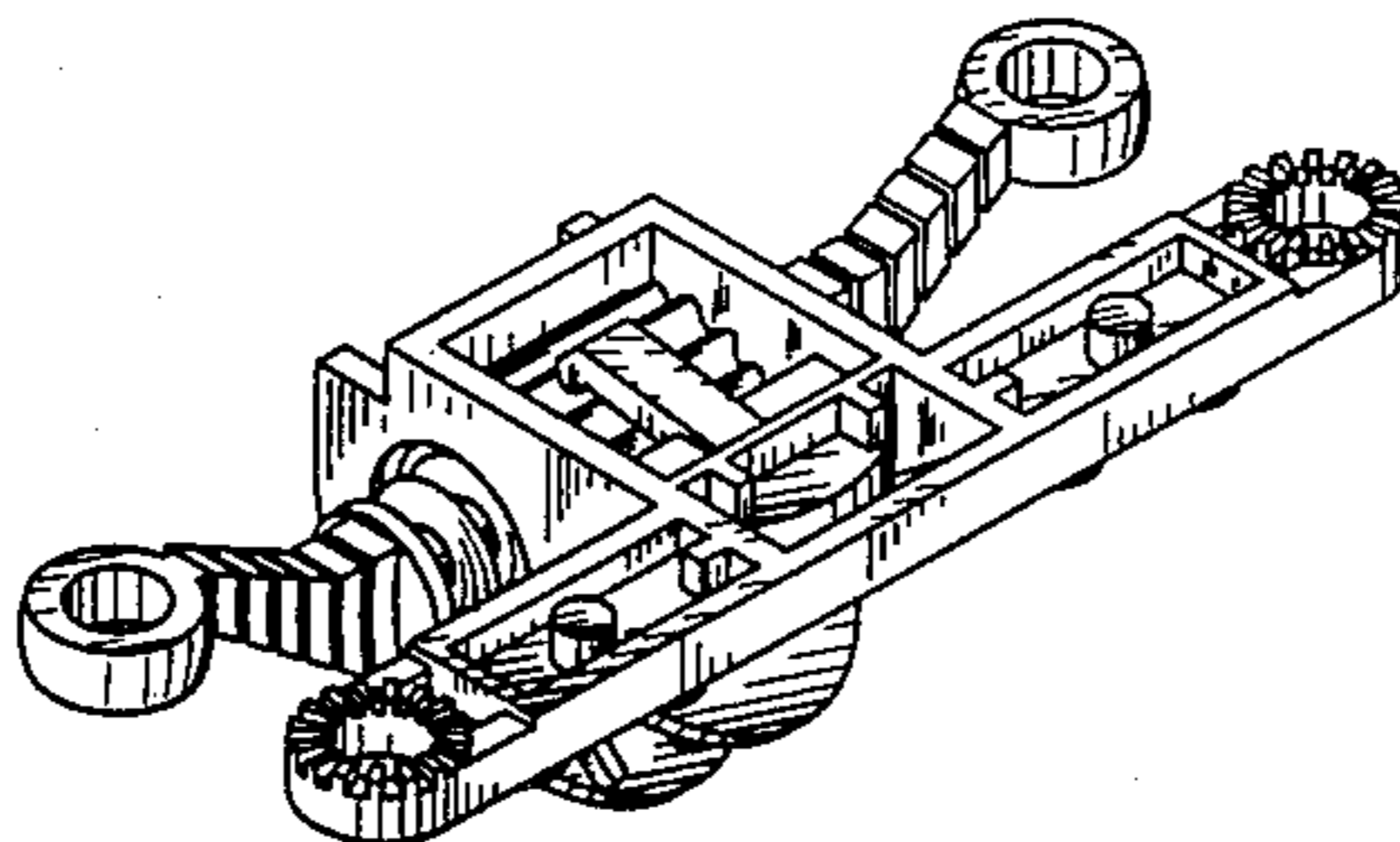
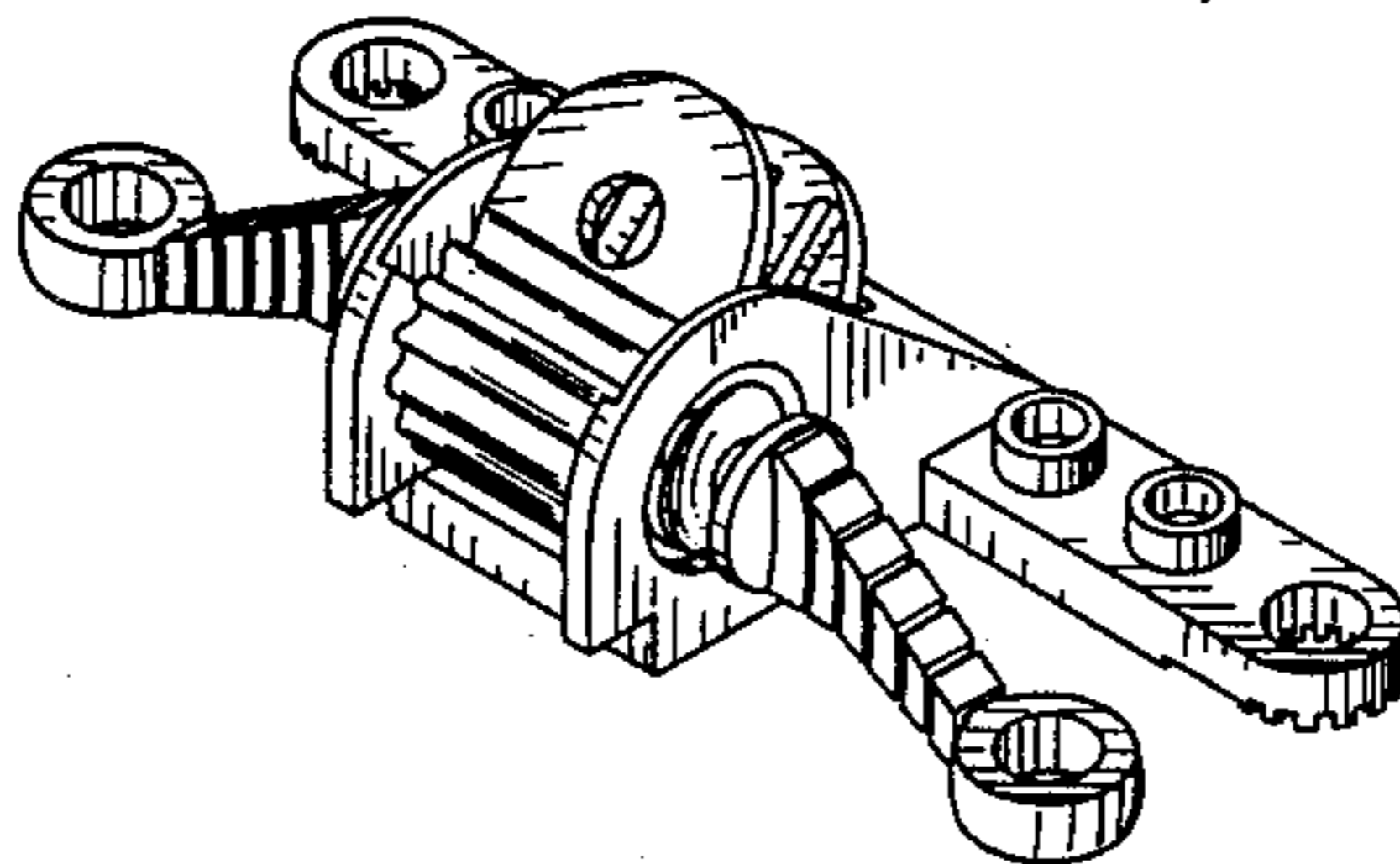
Attorney, Agent, or Firm—Kane, Dalsimer, Sullivan, Kurucz, Levy, Eisele and Richard

[57] CLAIM

The ornamental design for a steering gear for a toy vehicle, as shown and described.

DESCRIPTION

FIG. 1 is a top perspective view of the steering gear for a toy vehicle showing my new design, FIG. 2 is a bottom perspective view thereof, FIG. 3 is a top plan view thereof, FIG. 4 is a side elevational view thereof; the side opposite being identical, FIG. 5 is a bottom plan view thereof, FIG. 6 is a front elevational view thereof, and FIG. 7 is a rear elevational view thereof.



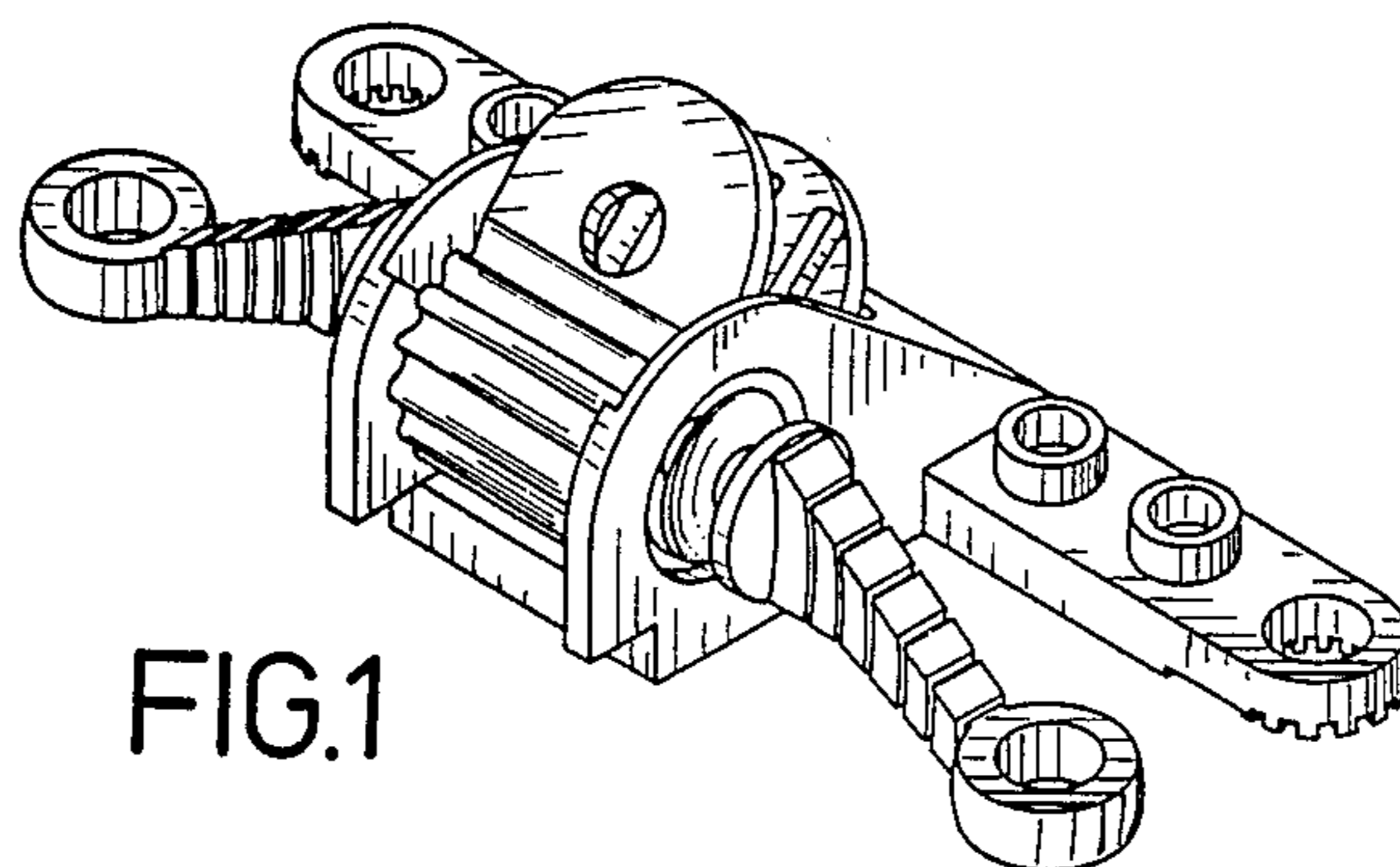


FIG. 1

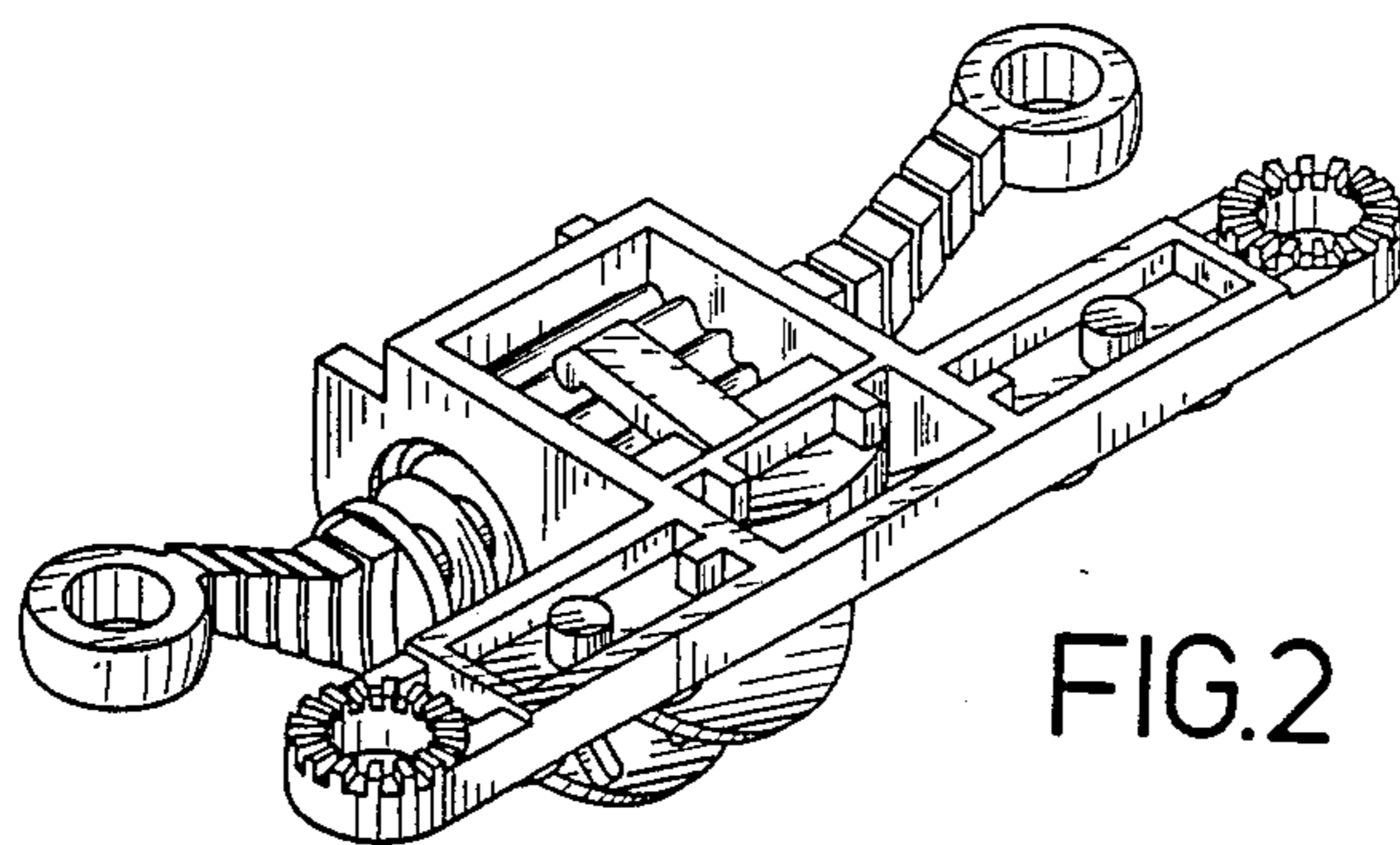


FIG. 2

FIG.3

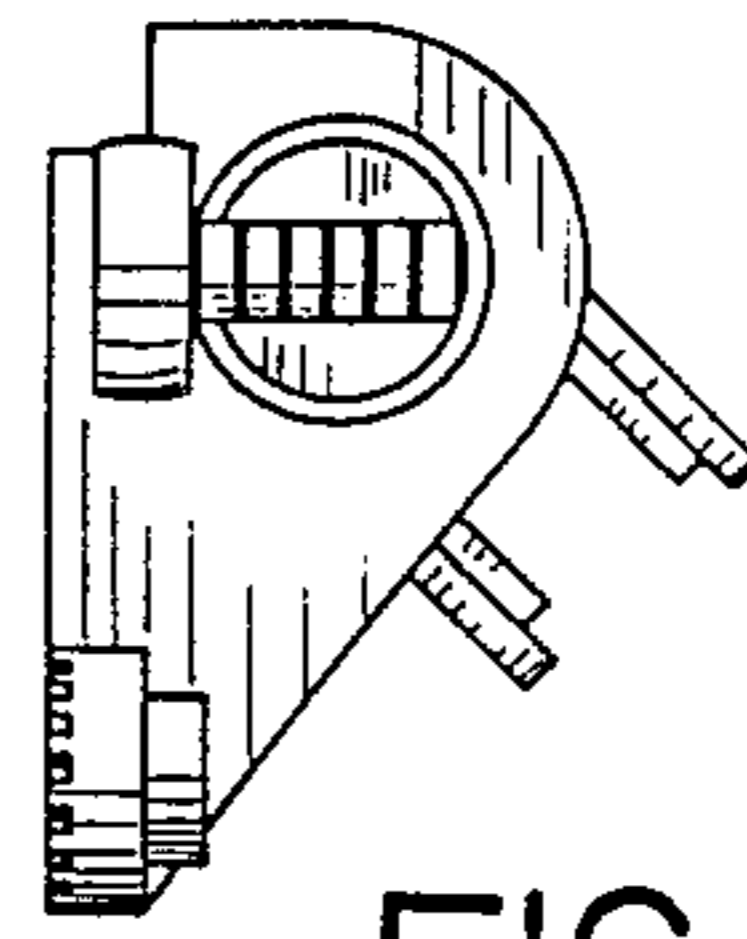
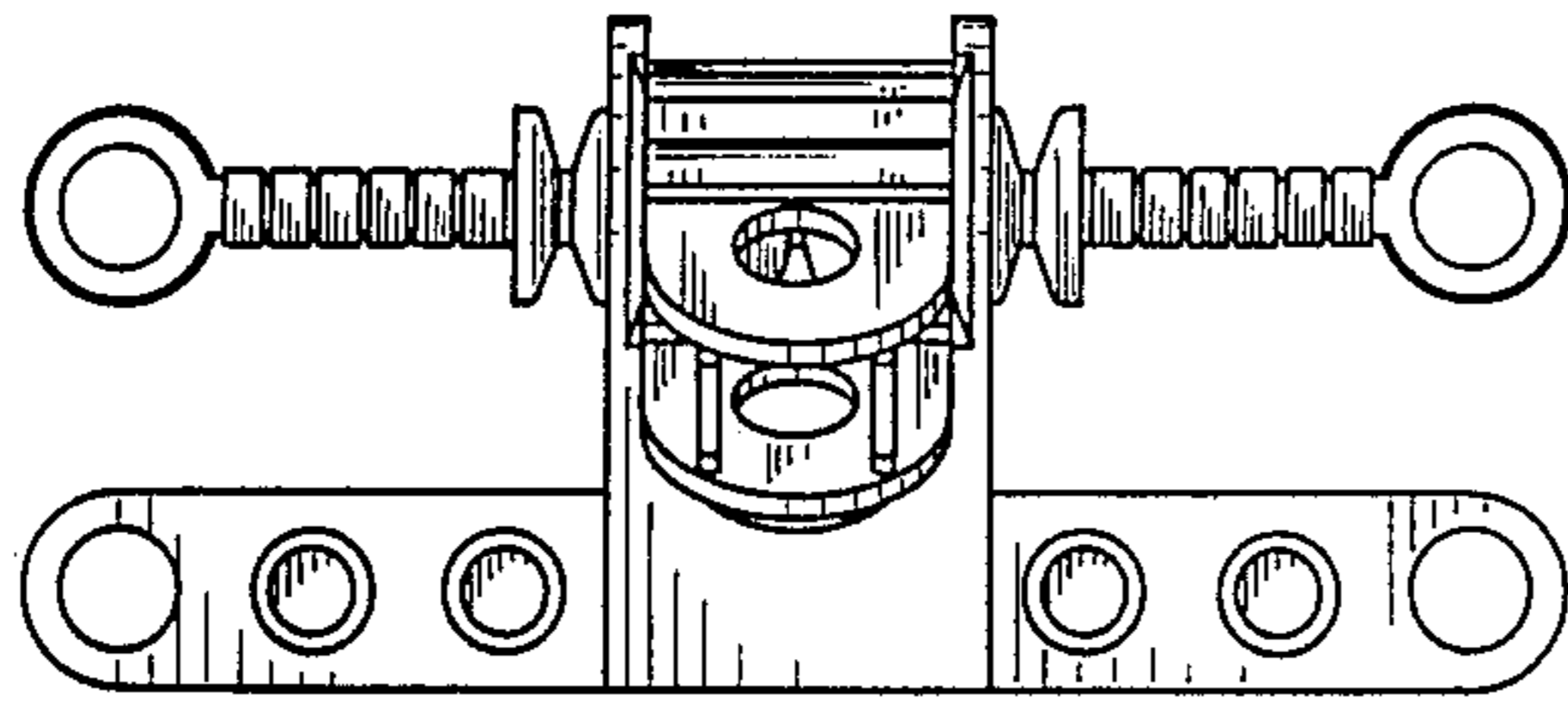


FIG.4

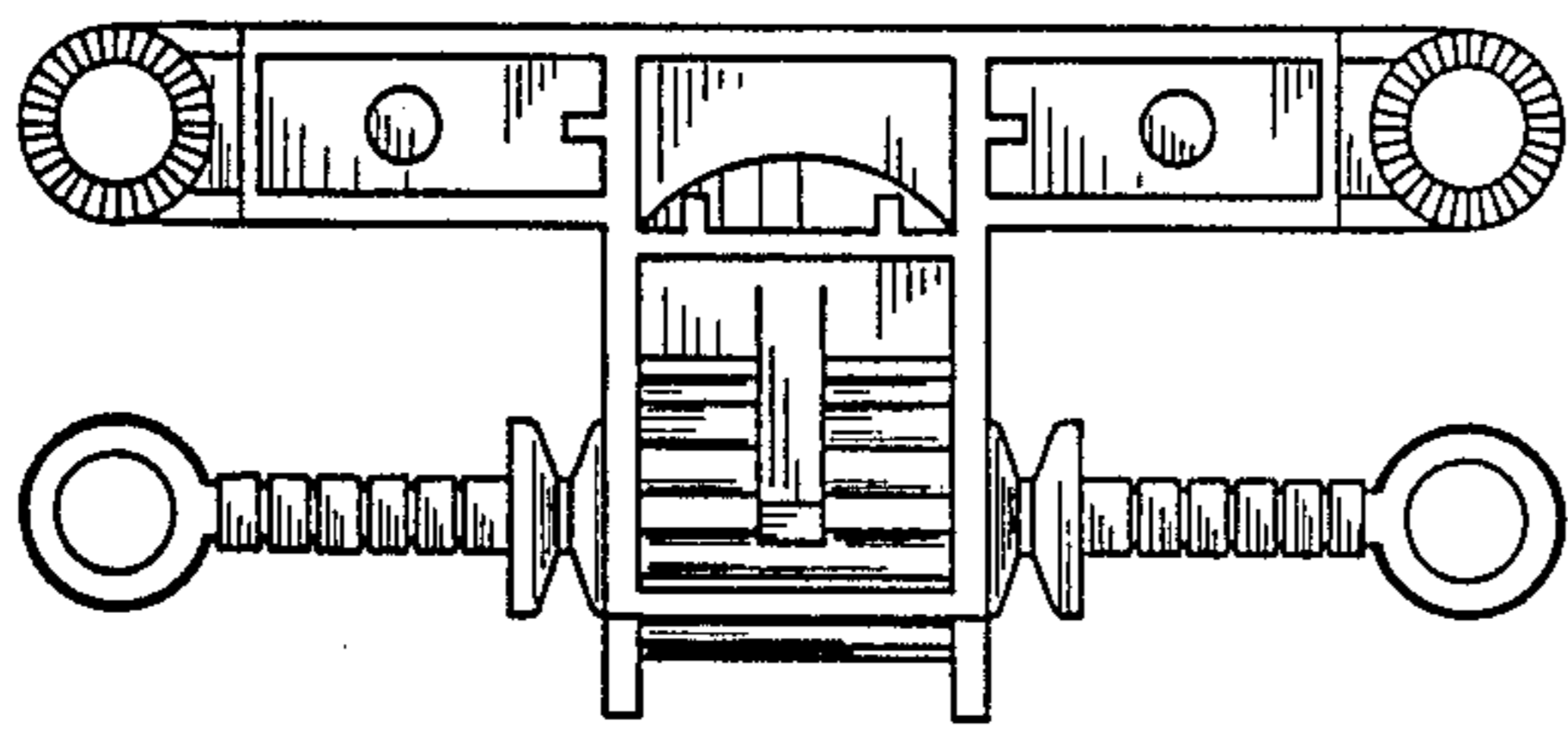


FIG.5

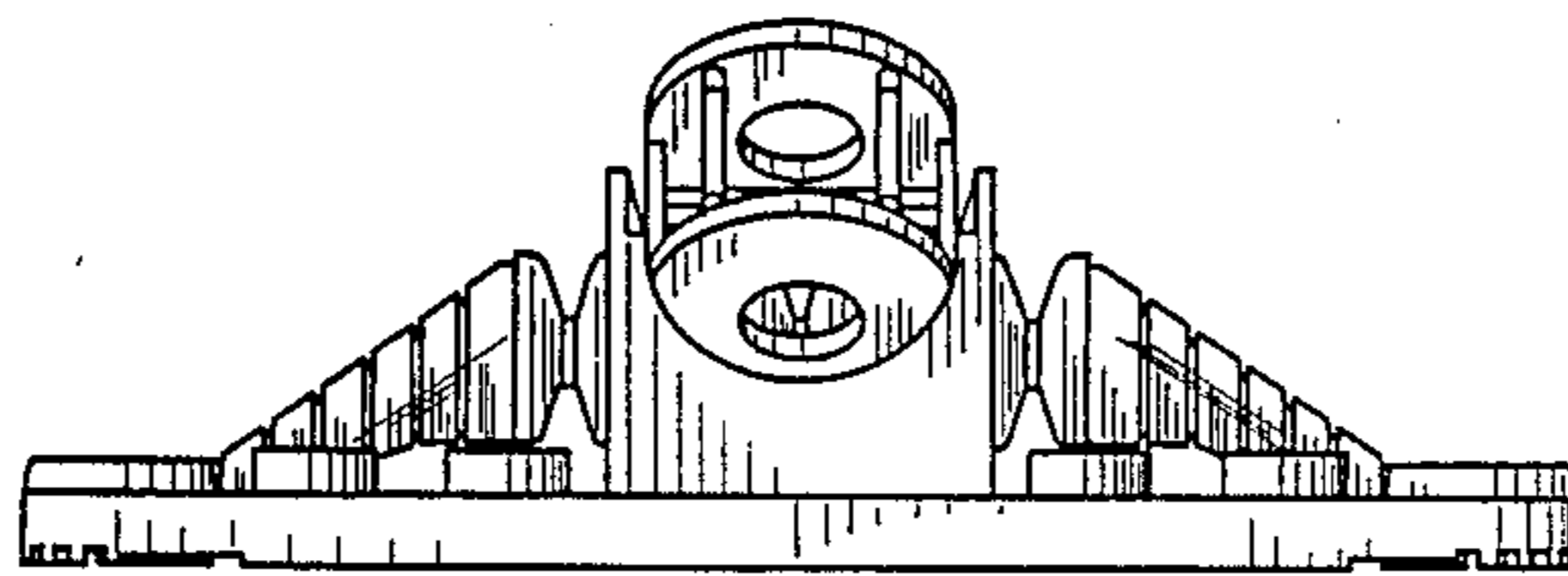


FIG.7

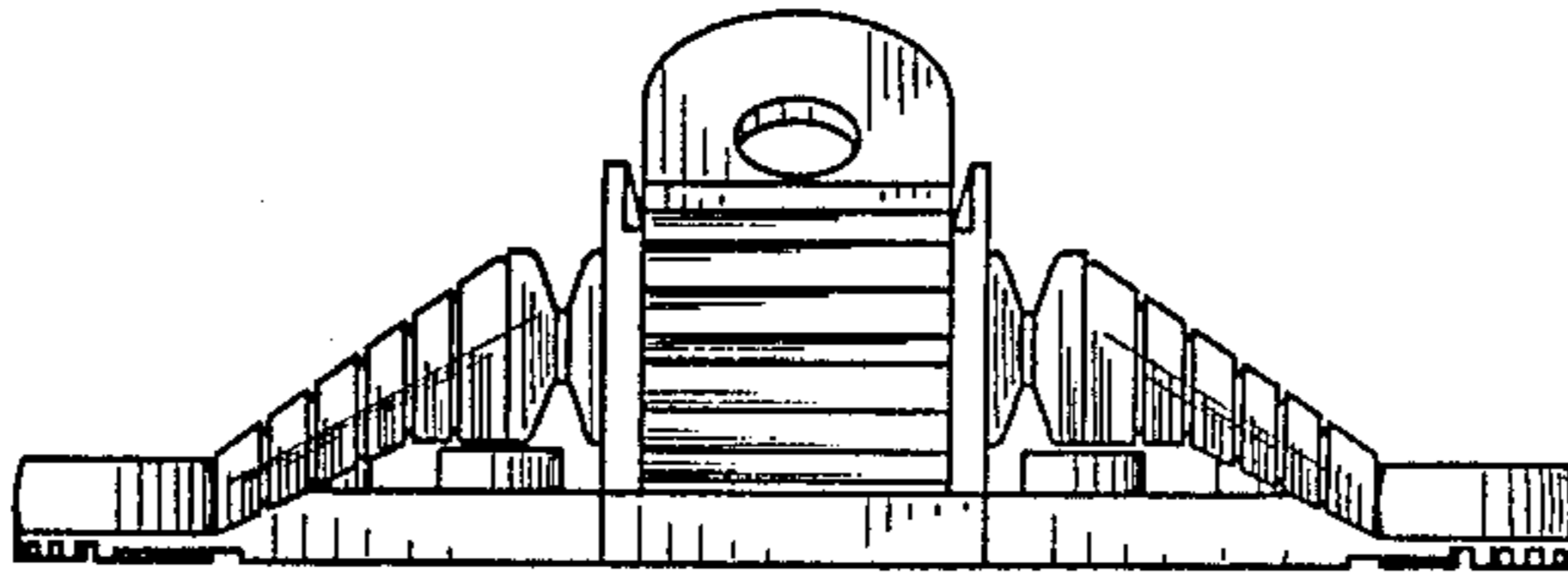


FIG.6