

[54] CONNECTOR ELEMENT FOR A CONSTRUCTION TOY

[75] Inventor: Vic Bertrand, Dollard des Ormeaux, Canada

[73] Assignee: The Ritvik Group Inc., Dorval, Canada

[**] Term: 14 Years

[21] Appl. No.: 99,209

[22] Filed: Sep. 21, 1987

[30] Foreign Application Priority Data

May 6, 1987 [CA] Canada 06-05-87-11

[52] U.S. Cl. D21/141; D21/108

[58] Field of Search D21/90, 108, 114, 115, D21/116, 117, 118, 119, 124, 138, 141; 446/85, 102, 103, 104, 107, 108, 109, 110, 111, 112, 113, 114, 115, 116, 117, 120, 121, 122, 124, 125, 127, 128

[56] References Cited

U.S. PATENT DOCUMENTS

D. 174,950 6/1955 Frishberg D21/108
D. 263,324 3/1982 Orenstein D21/108
2,609,638 9/1952 Lindenmeyer D21/108

FOREIGN PATENT DOCUMENTS

1484004 12/1968 Fed. Rep. of Germany 446/122

Primary Examiner—Charles A. Rademaker

Assistant Examiner—Alicia A. Farrell

Attorney, Agent, or Firm—Robic, Robic & Associates

[57] CLAIM

The ornamental design for a connector element for a construction toy, as shown and described.

DESCRIPTION

FIG. 1 is a perspective view of a connector element for a construction toy showing my new design;
FIG. 2 is a side elevational view thereof, the other side being a mirror image;
FIG. 3 is a front elevational view thereof;
FIG. 4 is a top plan view thereof;
FIG. 5 is a rear elevational view thereof;
FIG. 6 is a bottom plan view thereof.

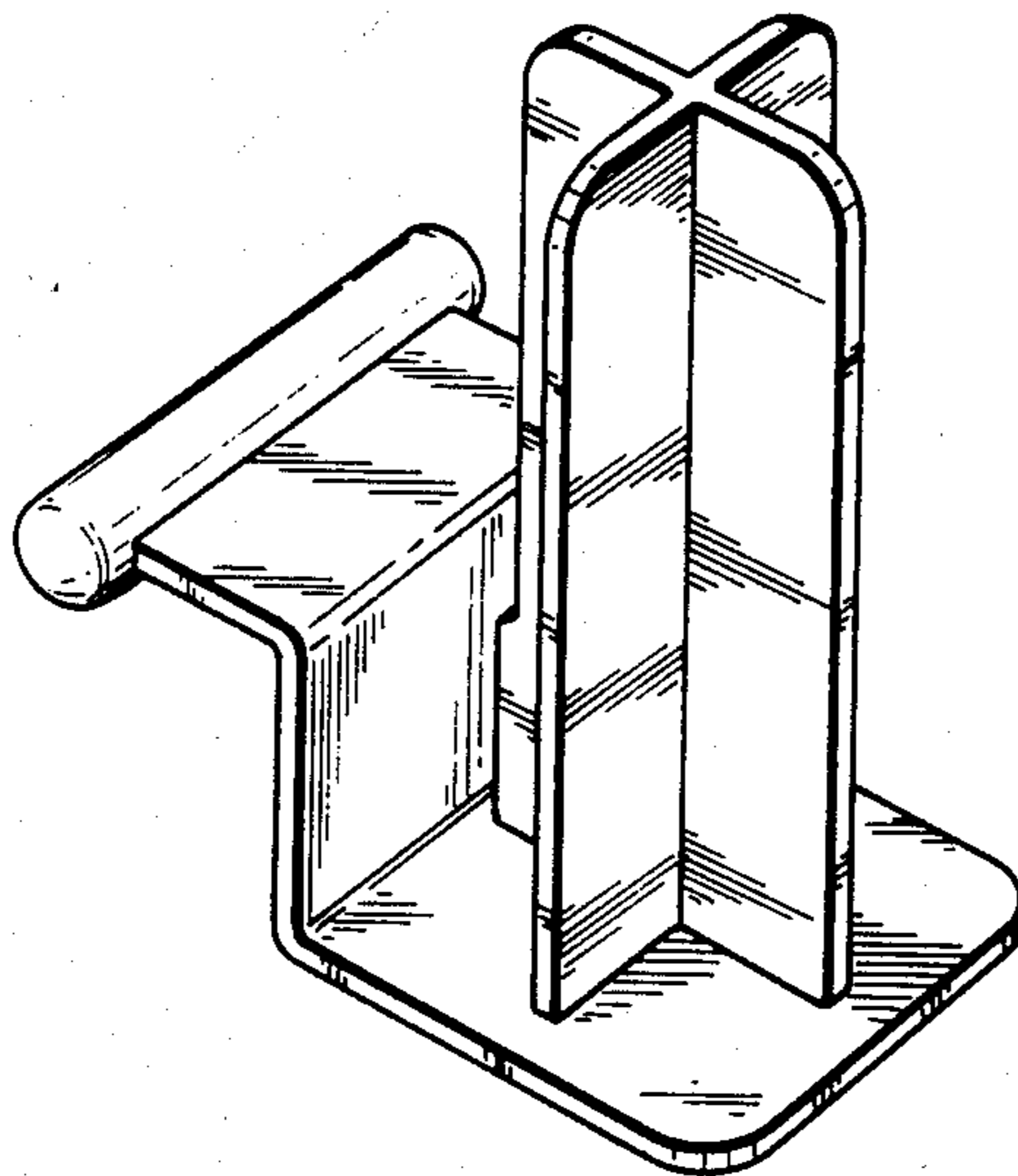


Fig. 1

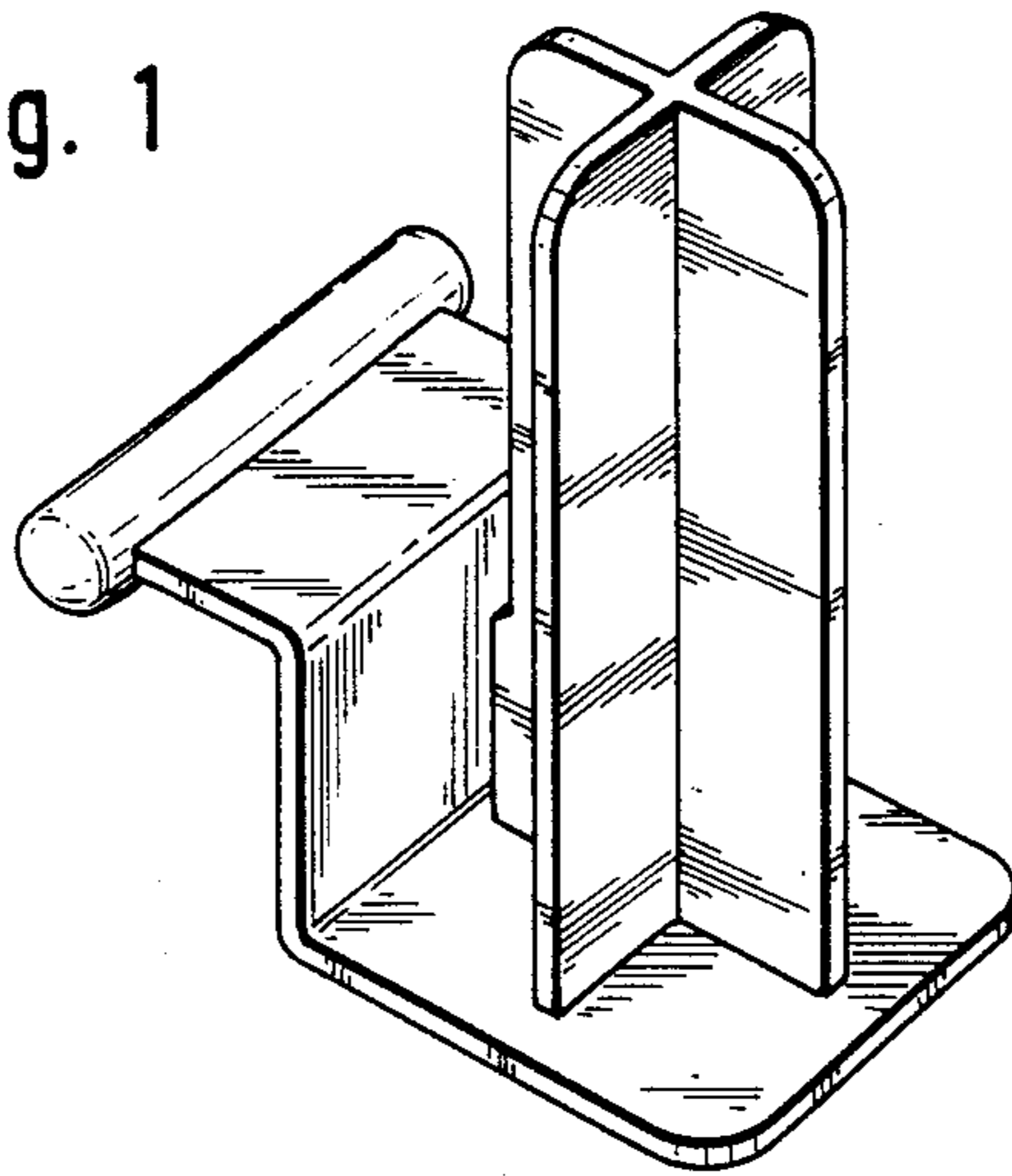


Fig. 4

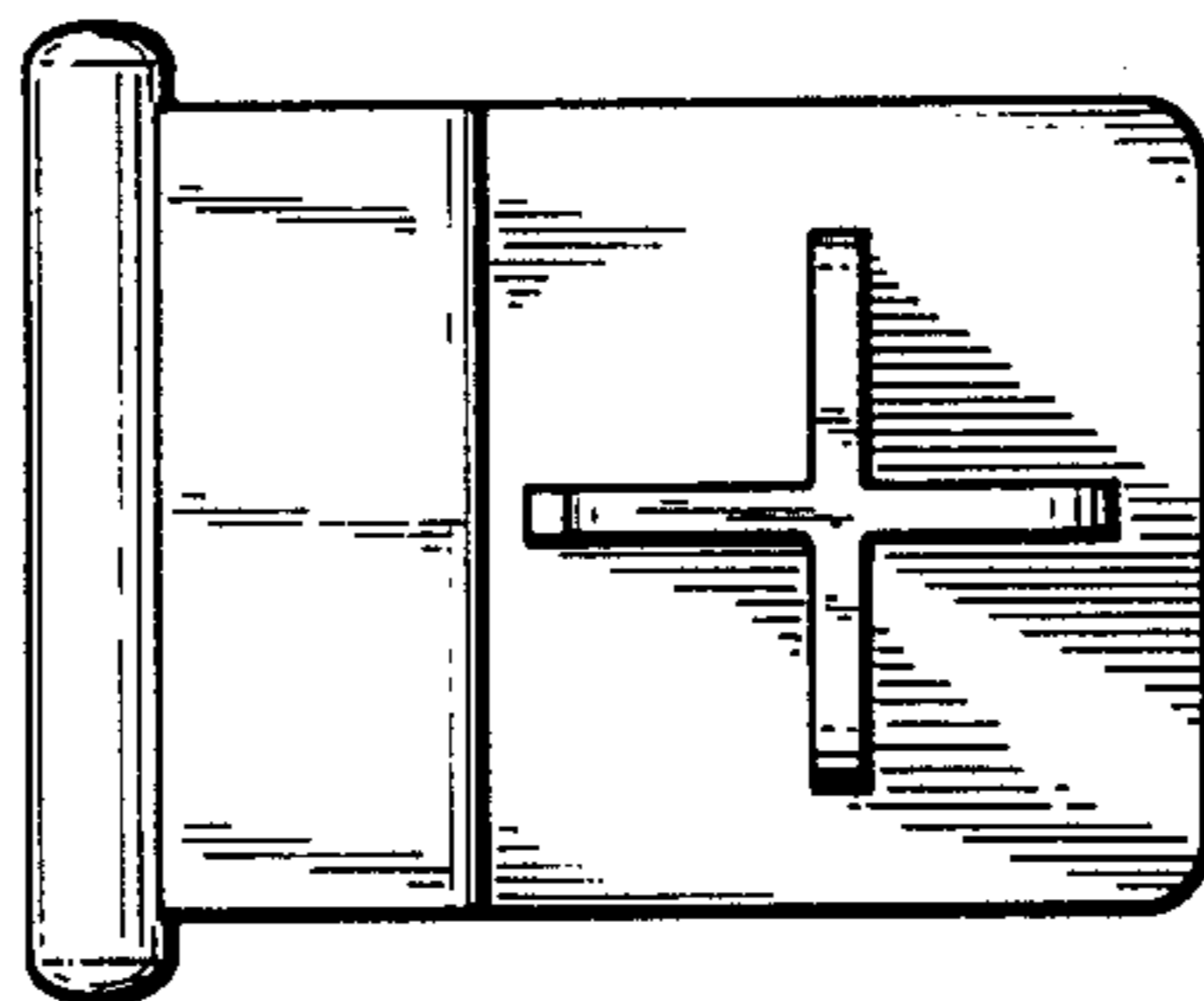


Fig. 3

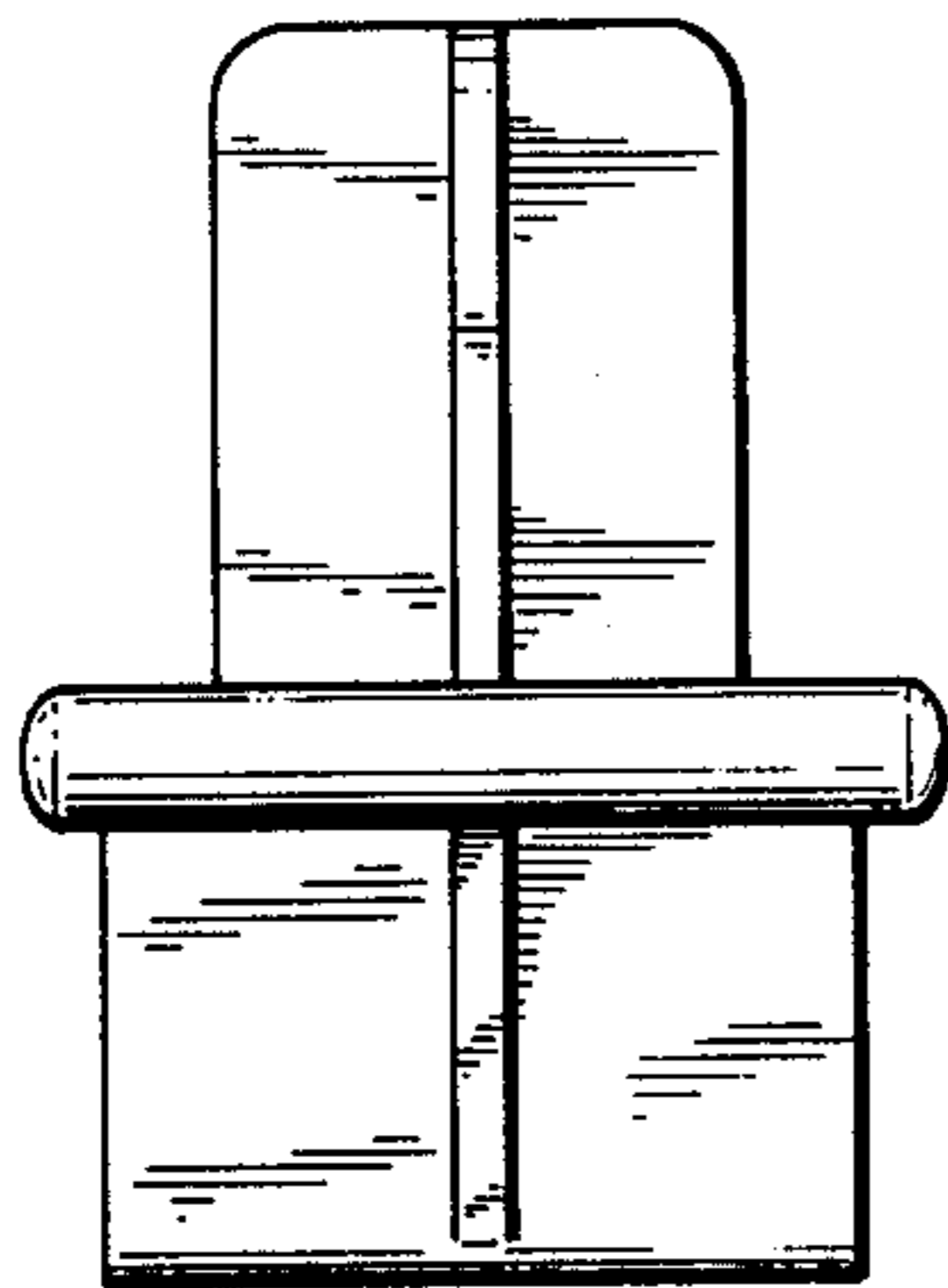


Fig. 2

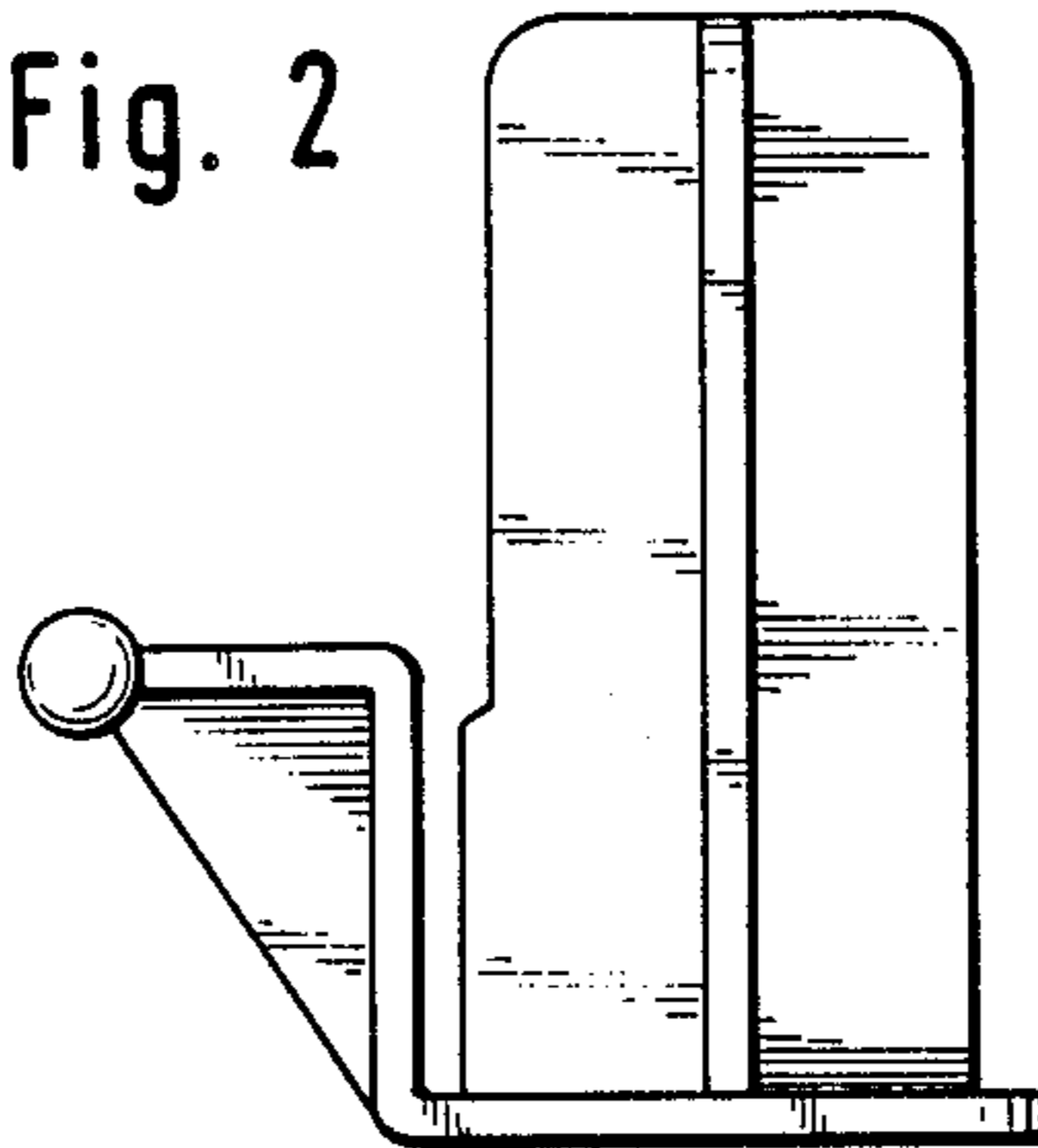


Fig. 5

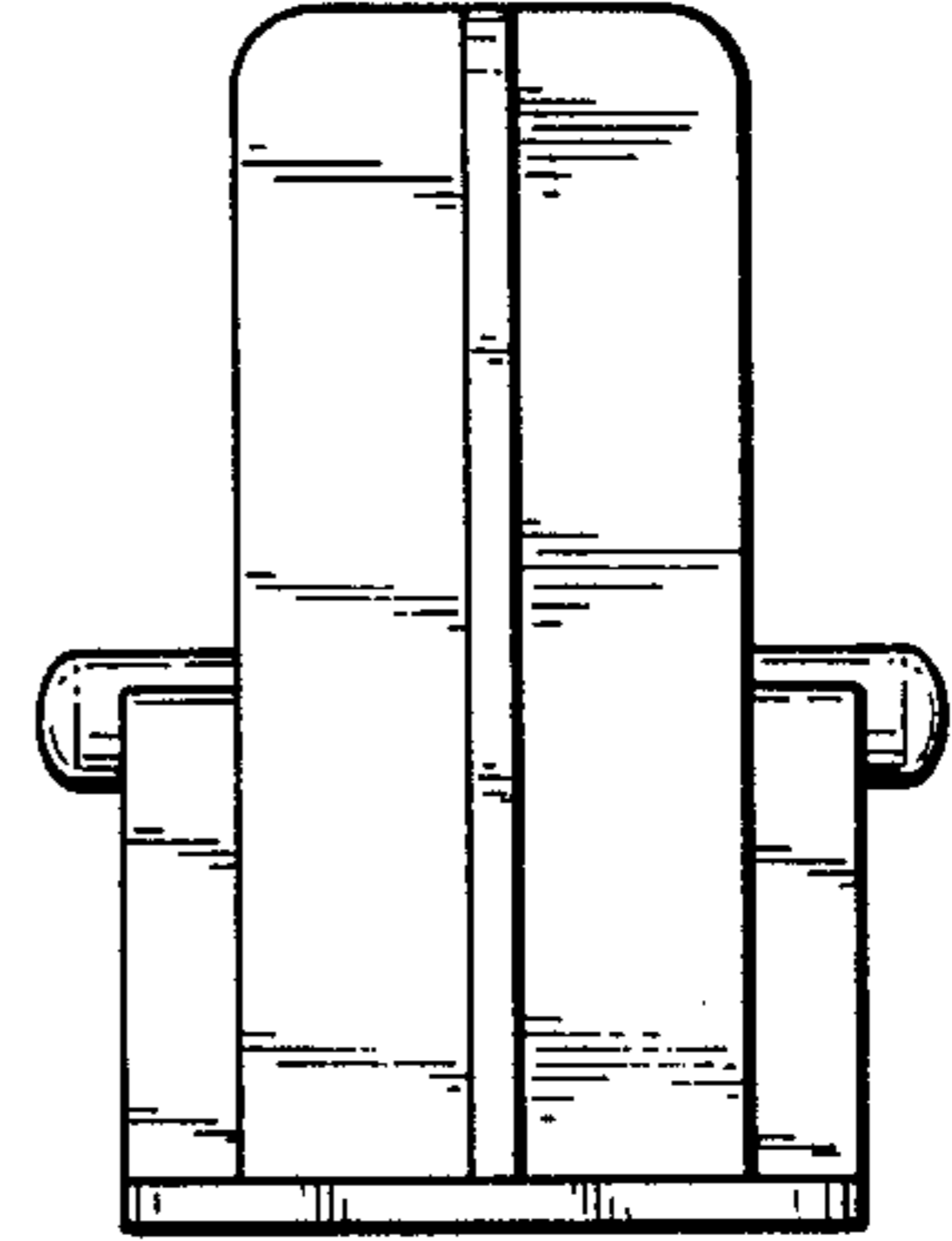


Fig. 6

