

[54] CATENARY ARCH BARREL BUILDING TOY

3,604,145 9/1971 Zimmerman 446/125

[76] Inventor: Donald L. Andrews, 5802 Sanibel Captiva Rd., Sanibel, Fla. 33957

FOREIGN PATENT DOCUMENTS

1174756 3/1959 France 446/118

[**] Term: 14 Years

Primary Examiner—Charles A. Rademaker
Assistant Examiner—Alicia A. Farrell
Attorney, Agent, or Firm—Merrill N. Johnson

[21] Appl. No.: 169,764

[22] Filed: Mar. 18, 1988

[57] CLAIM

[52] U.S. Cl. D21/59; D21/108; D21/114

The ornamental design for a catenary arch barrel building toy, as shown and described.

[58] Field of Search D21/104, 108, 114, 115, D21/117; 446/85, 102, 105, 106, 108, 114, 115, 116, 117, 118, 120, 121, 122, 124, 125, 126, 127; 434/403, 72

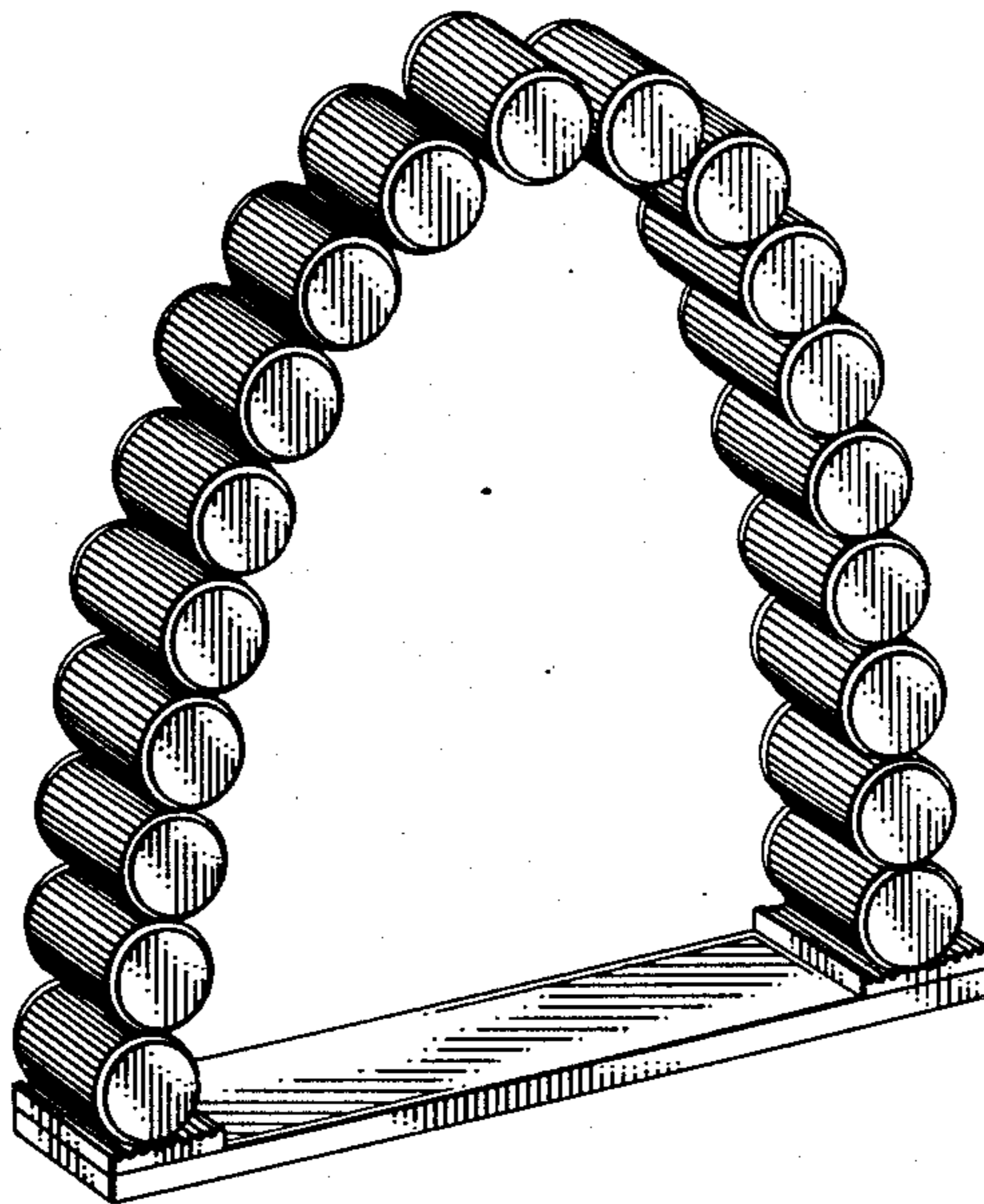
DESCRIPTION

FIG. 1 is a front perspective view of a catenary arch barrel building toy showing my new design, the side opposite being a mirror image; FIG. 2 is a right side elevational view thereof, the side opposite being a mirror image; FIG. 3 is a top plan view thereof; FIG. 4 is a bottom plan view thereof; and FIG. 5 is an enlarged scale view of one of the bottom barrel-shaped building elements resting on the toy base.

[56] References Cited

U.S. PATENT DOCUMENTS

D. 206,012	10/1966	Kristiansen	D21/108
604,708	5/1898	Burton	446/127
1,568,252	1/1926	Strub	446/85
1,878,373	9/1932	Breeser	446/124



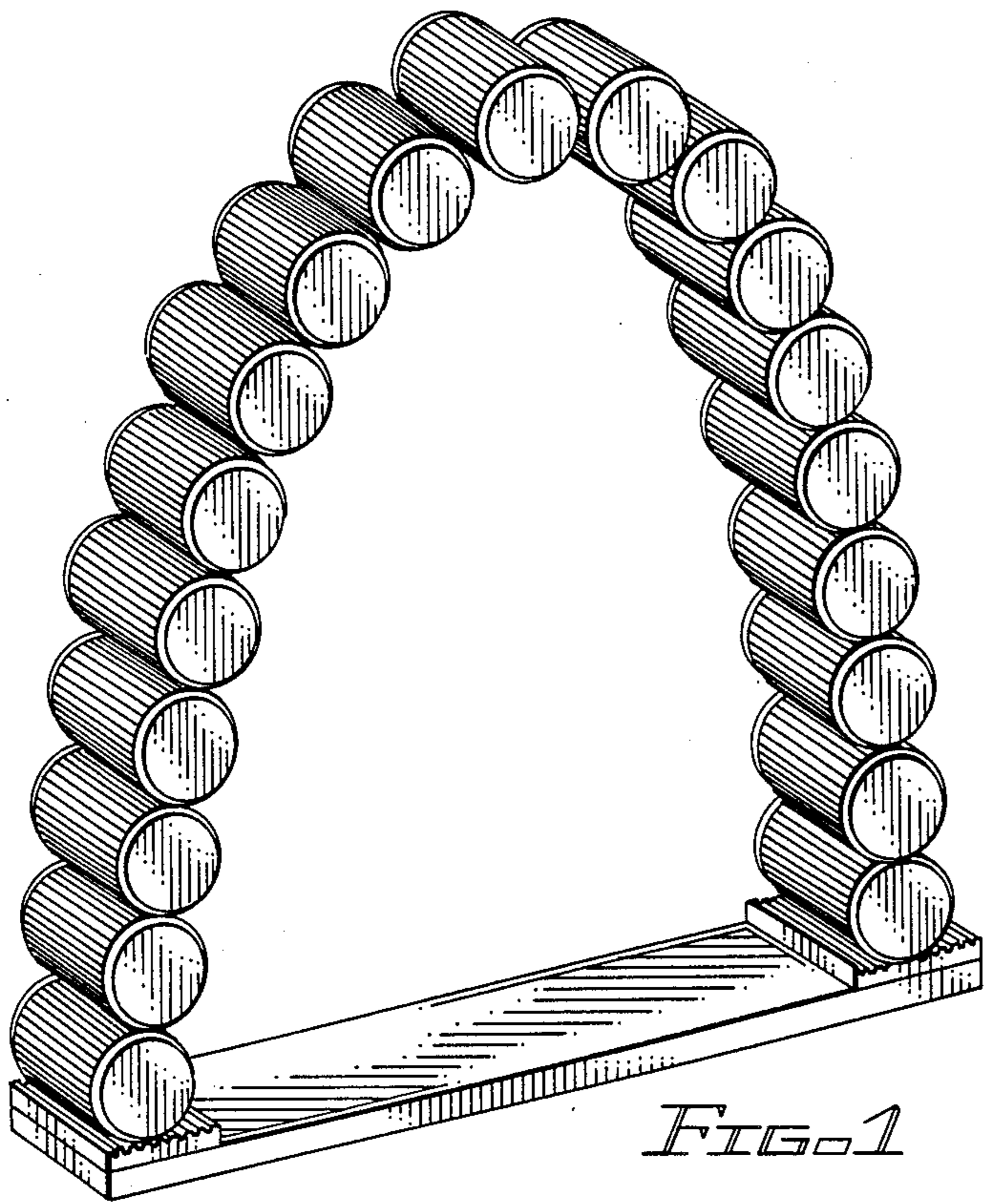


FIG. 1

FIG. 2

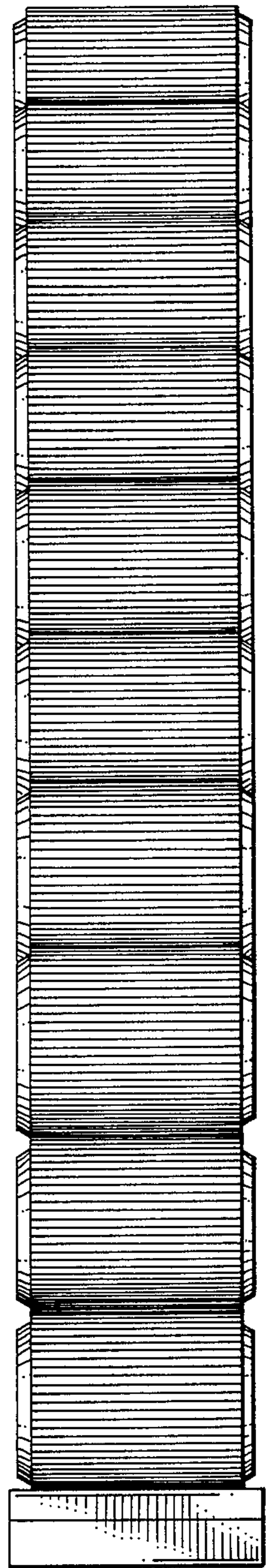


FIG. 4

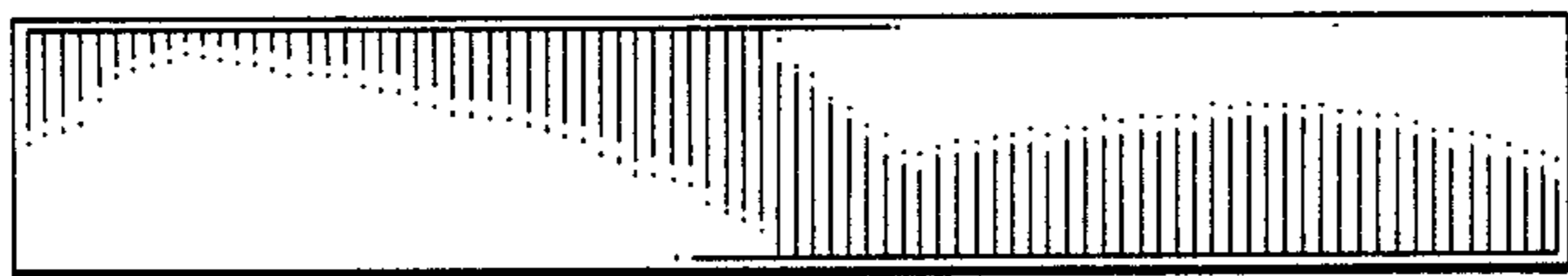


FIG. 5

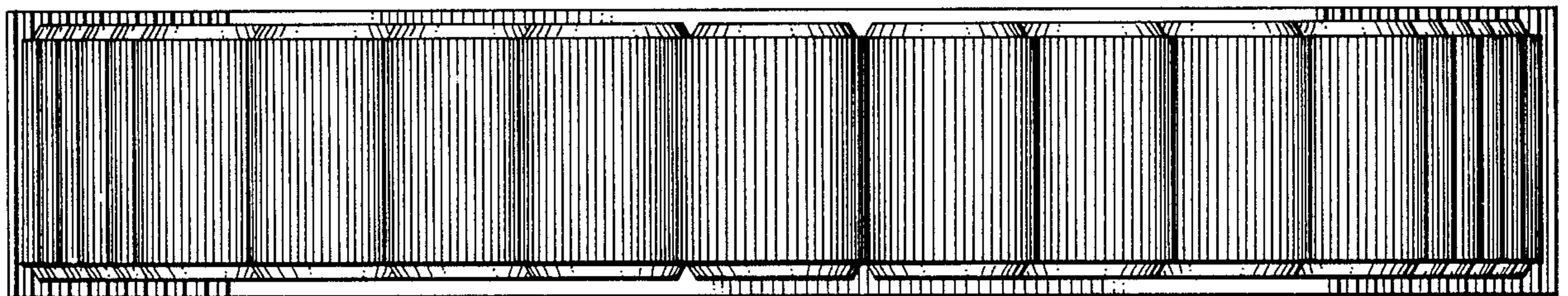
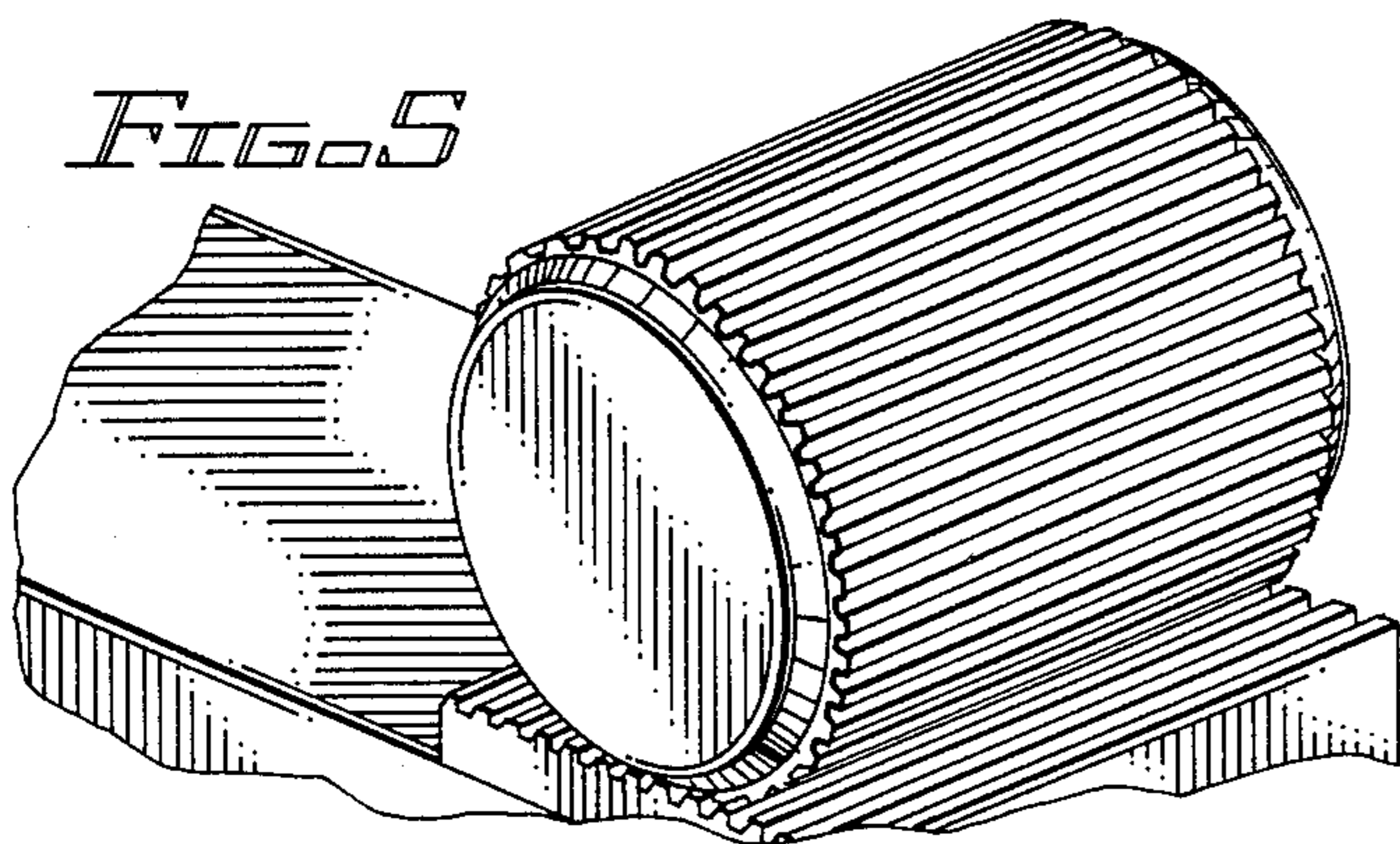


FIG. 3