

United States Patent [19]

Evans

[11] Patent Number: **Des. 304,462**

[45] Date of Patent: **** Nov. 7, 1989**

[54] **VERTICAL FILE SORTER**

[75] Inventor: **Dale M. Evans, Windsor, Wis.**

[73] Assignee: **EVCO Office Products, DeForest, Wis.**

[**] Term: **14 Years**

[21] Appl. No.: **941,947**

[22] Filed: **Dec. 11, 1986**

[52] U.S. Cl. **D19/90; D19/75; D19/86; D19/95**

[58] Field of Search **D19/65, 75, 86, 95, D19/100; 206/558; 211/11, 50, 126; 220/23.4, 23.83**

[56] **References Cited**

U.S. PATENT DOCUMENTS

D. 284,482 7/1986 Sun D19/90

D. 299,361 1/1989 Lothe D19/90
1,414,130 4/1922 Hislojo 211/11
4,438,852 3/1984 Evans 211/11

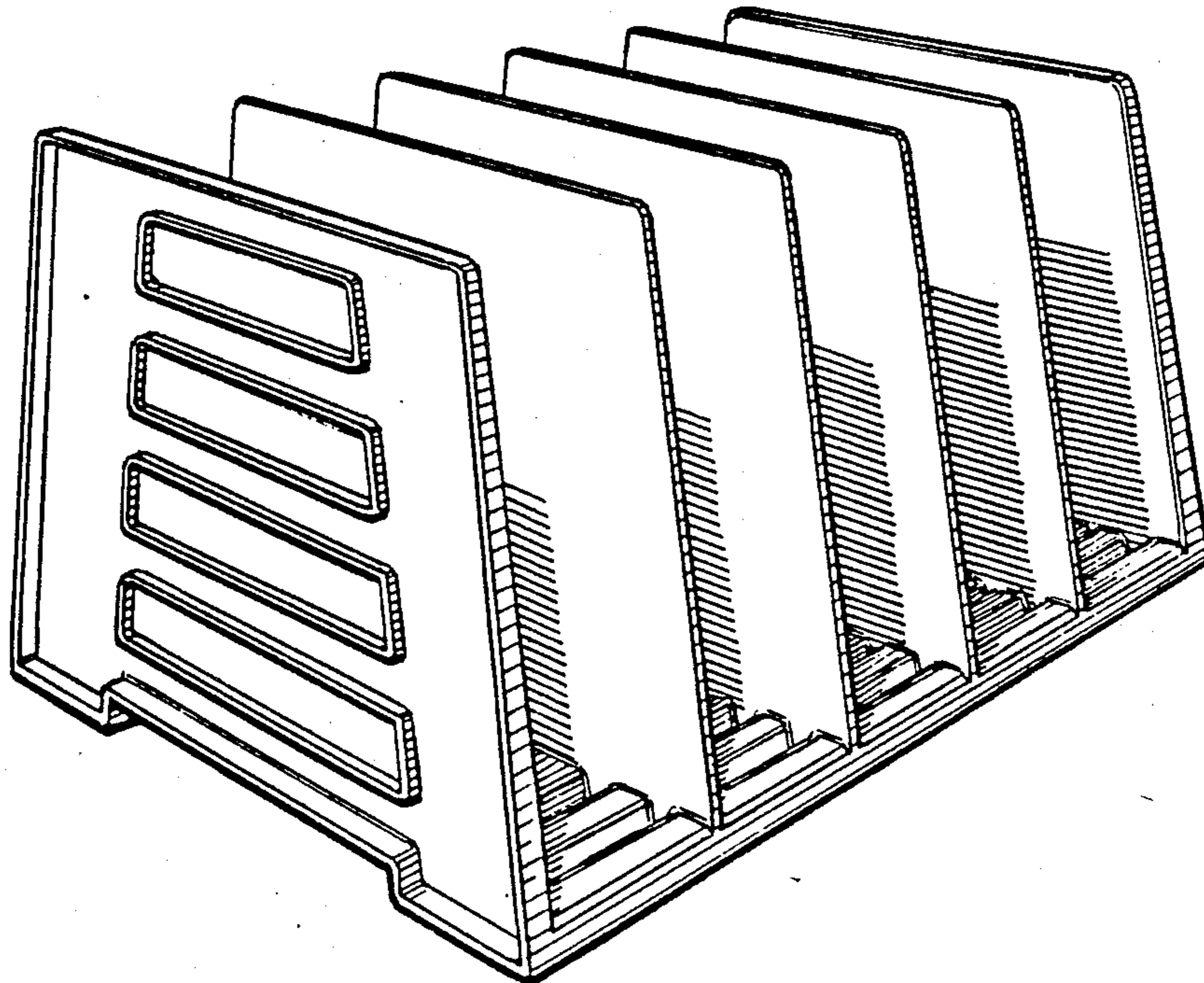
Primary Examiner—Bruce W. Dunkins
Assistant Examiner—Martha Thompson
Attorney, Agent, or Firm—Lathrop & Clark

[57] **CLAIM**

The ornamental design for a vertical file sorter, as shown and described.

DESCRIPTION

FIG. 1 is a left front perspective view of a vertical file sorter showing my new design;
FIG. 2 is a side elevational view, the opposite side being a mirror image thereof;
FIG. 3 is an end elevational view, the opposite end being a mirror image thereof;
FIG. 4 is a top plan view; and
FIG. 5 is a bottom plan view thereof.



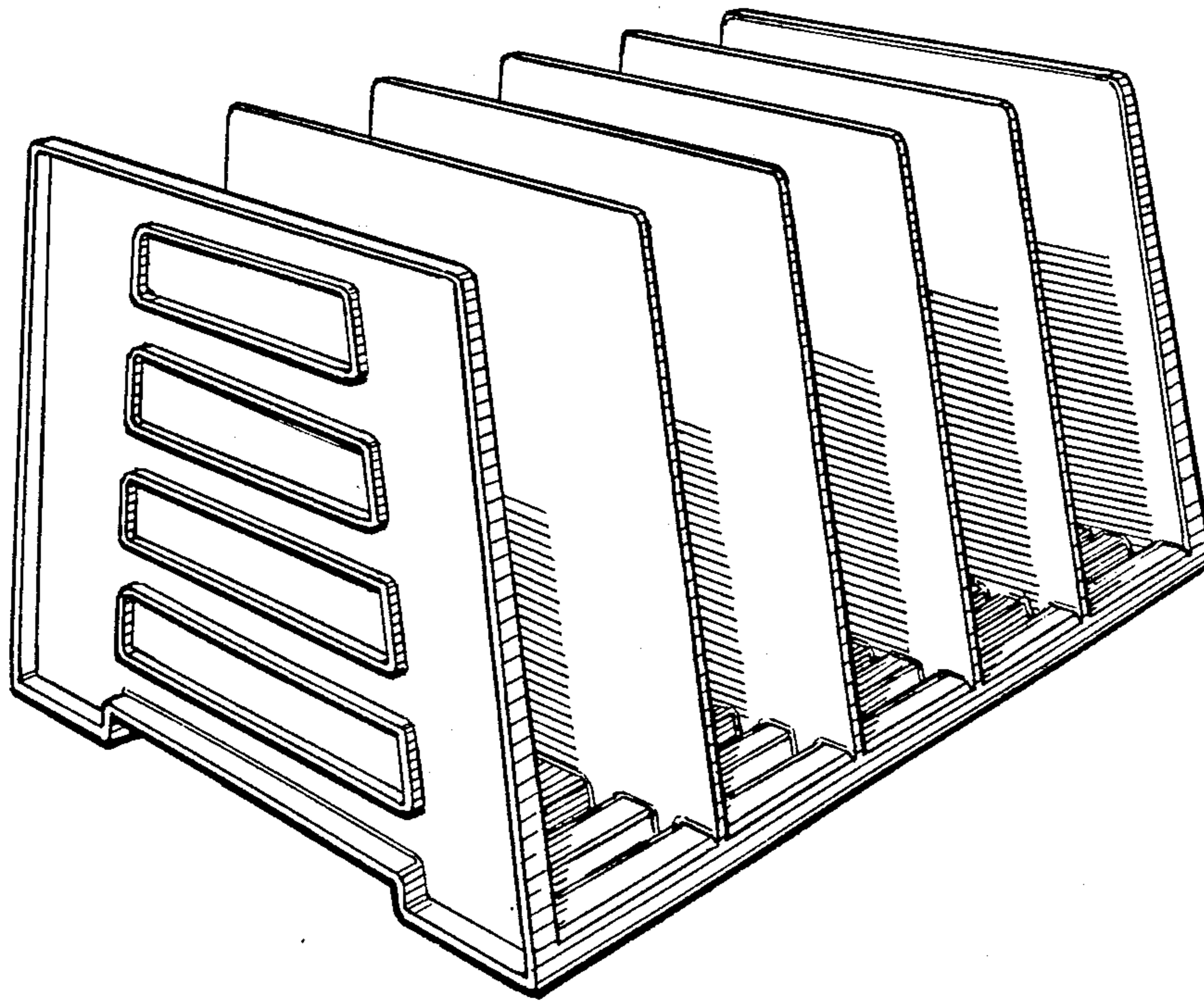


FIG. 1

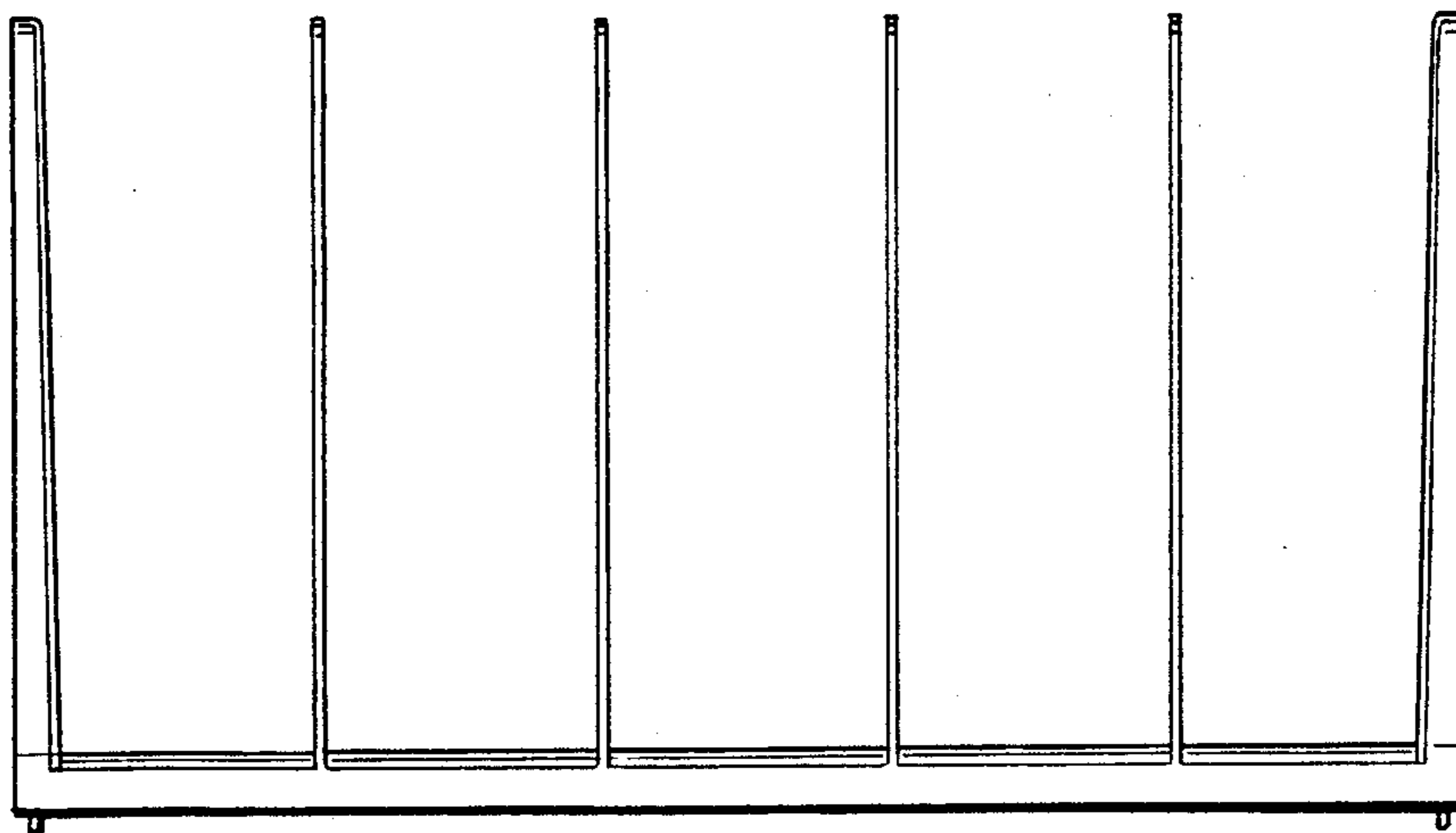


FIG. 2

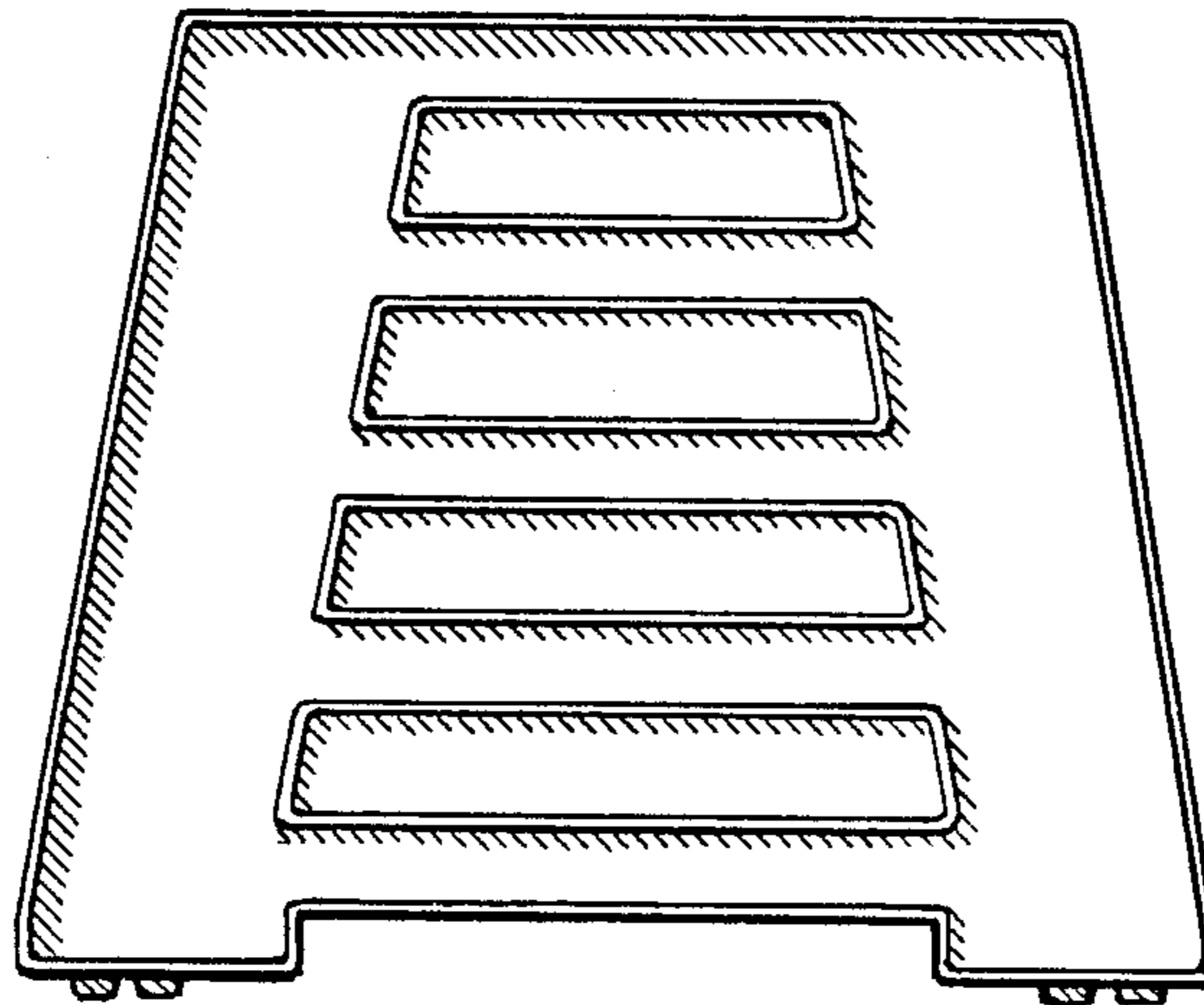


FIG. 3

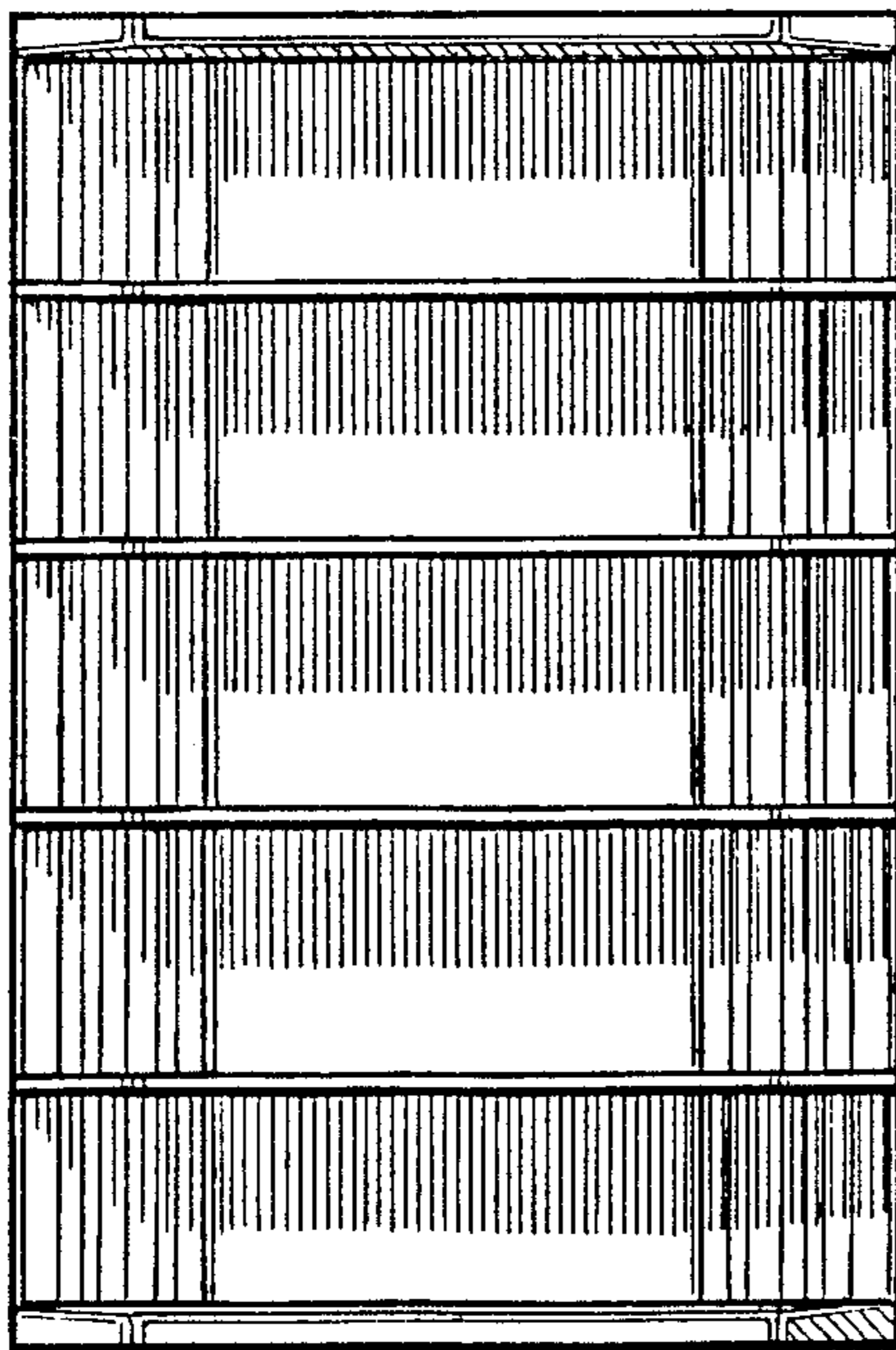


FIG. 4

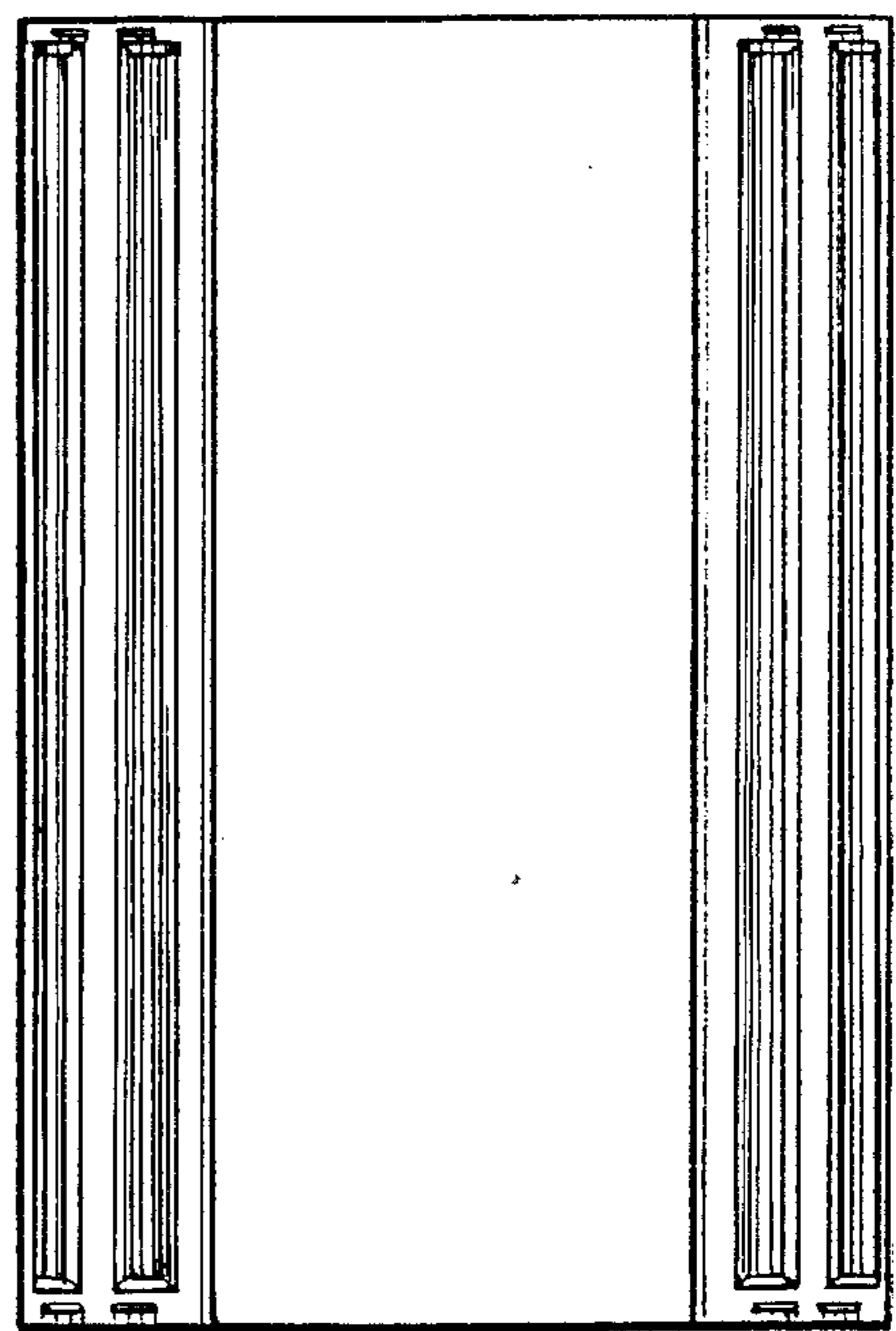


FIG. 5