

United States Patent [19]

Foran et al.

[11] Patent Number: **Des. 304,461**

[45] Date of Patent: **** Nov. 7, 1989**

[54] **COMPARTMENTED FILE BOX**

[75] Inventors: **Kenneth C. Foran, Wooster; Thomas J. David, Worthington, both of Ohio**

[73] Assignee: **Rubbermaid Incorporated, Wooster, Ohio**

[**] Term: **14 Years**

[21] Appl. No.: **894,171**

[22] Filed: **Aug. 7, 1986**

[52] U.S. Cl. **D19/86; D19/90**

[58] Field of Search **D19/75, 76, 86; D3/30.1, 35, 78; D9/420; 312/183, 184; 211/11; 206/387, 425, 444, 449, 555**

[56] **References Cited**

U.S. PATENT DOCUMENTS

D. 221,264 7/1971 Brown D3/35
D. 249,590 9/1978 Berkmeu D3/35

D. 252,354 7/1979 Uyeda D3/30.1

D. 257,528 11/1980 Cherry D3/78

D. 288,938 5/1987 Klodt D19/76

Primary Examiner—Bruce W. Dunkins

Assistant Examiner—Martha Thompson

Attorney, Agent, or Firm—Richard B. O'Planick

[57] **CLAIM**

The ornamental design for a compartmented file box, as shown and described.

DESCRIPTION

FIG. 1 is a front perspective view of a compartmented file box, showing our new design;

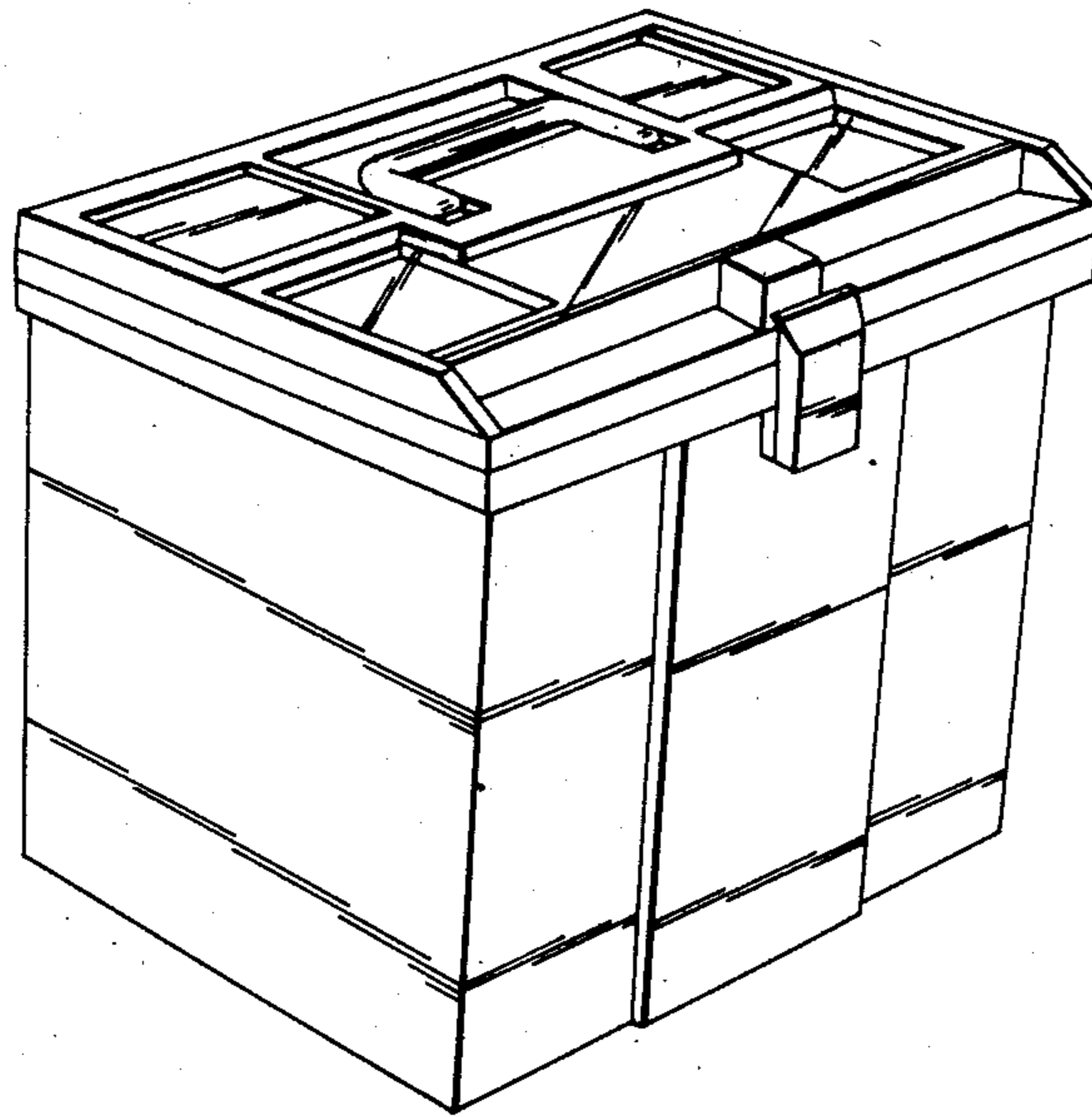
FIG. 2 is a top plan view;

FIG. 3 is a front elevational view;

FIG. 4 is a right side elevational view, the opposite side being a mirror image thereof;

FIG. 5 is a rear elevational view and

FIG. 6 is a bottom plan view thereof.



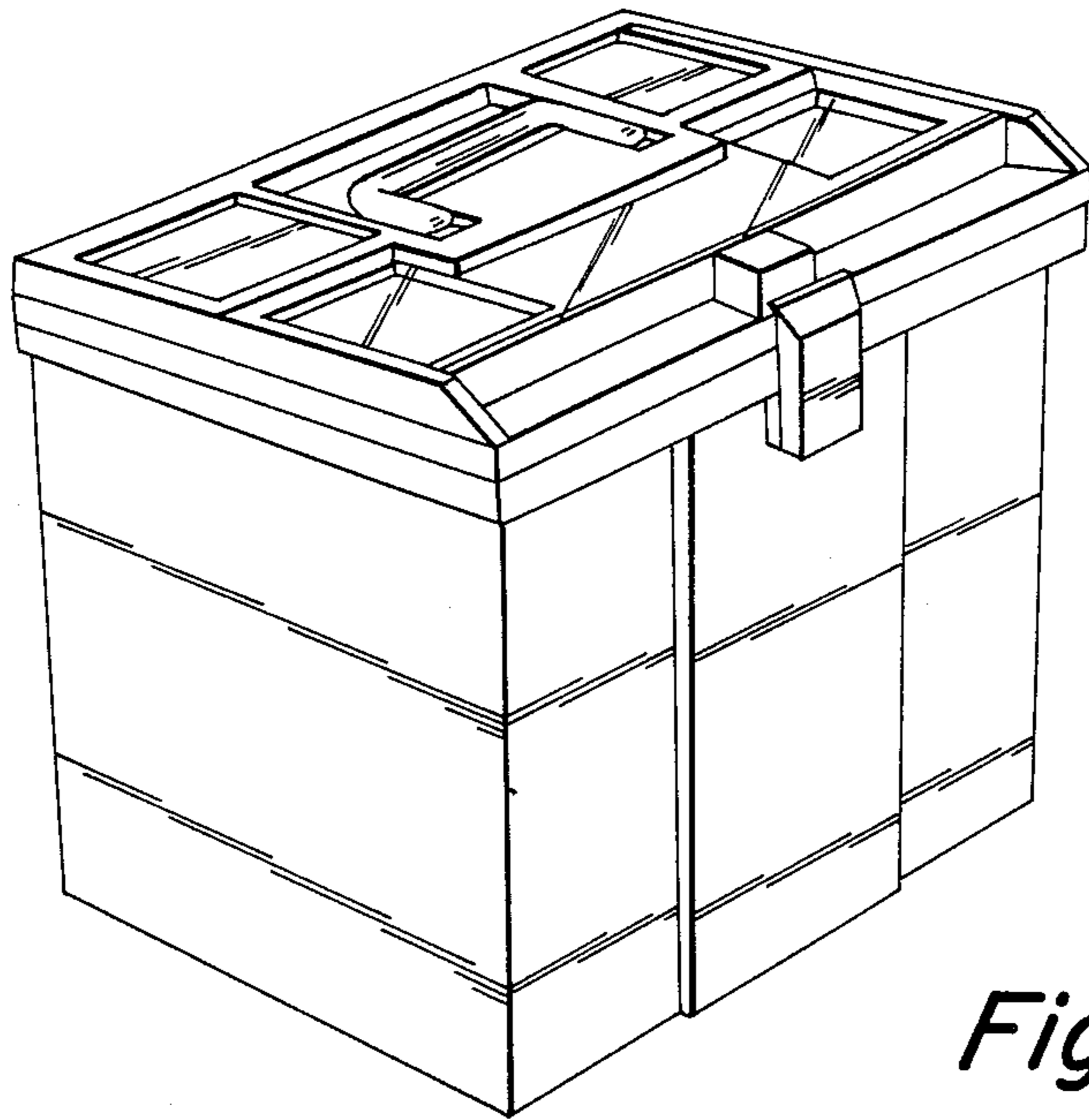


Fig. 1

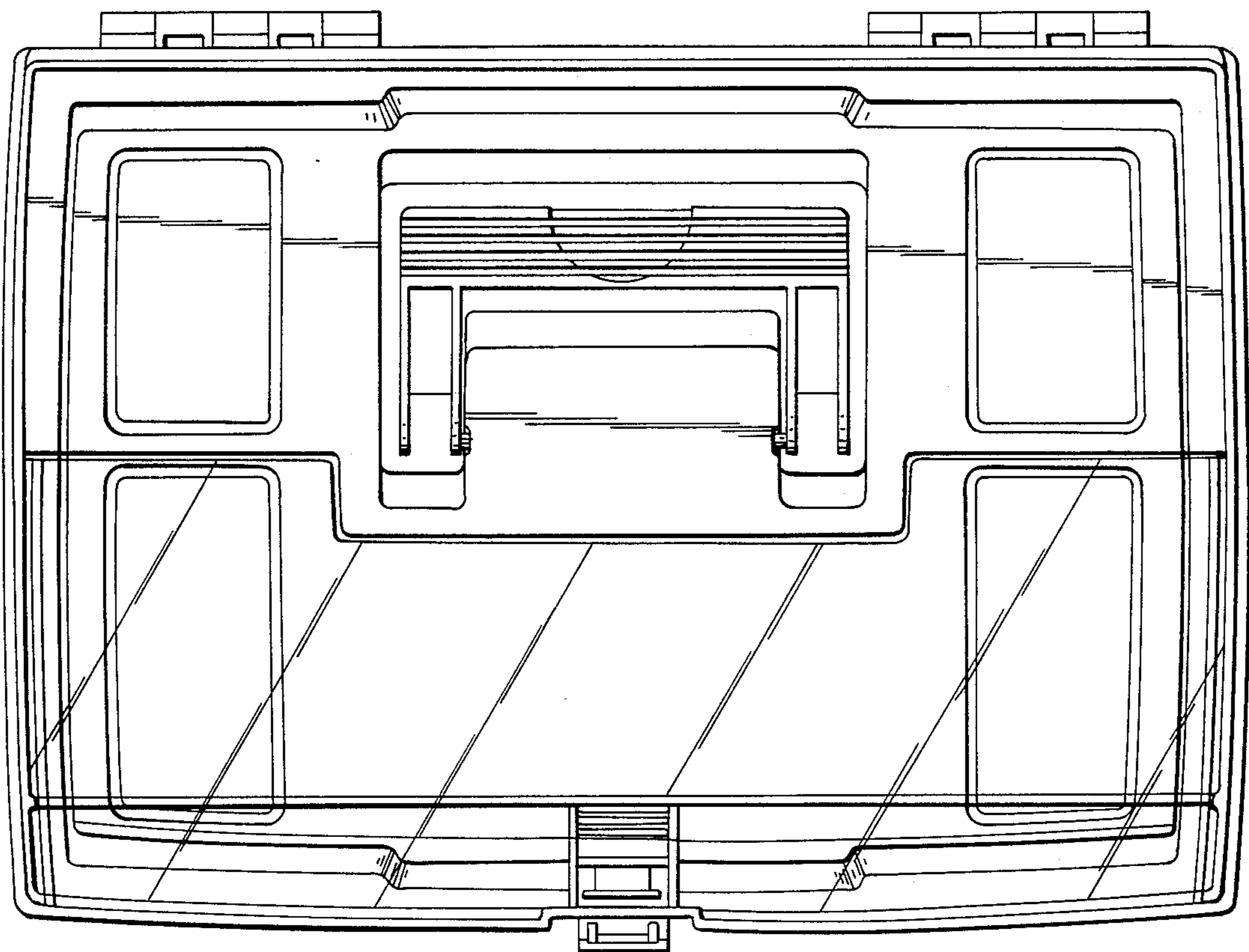


Fig. 2

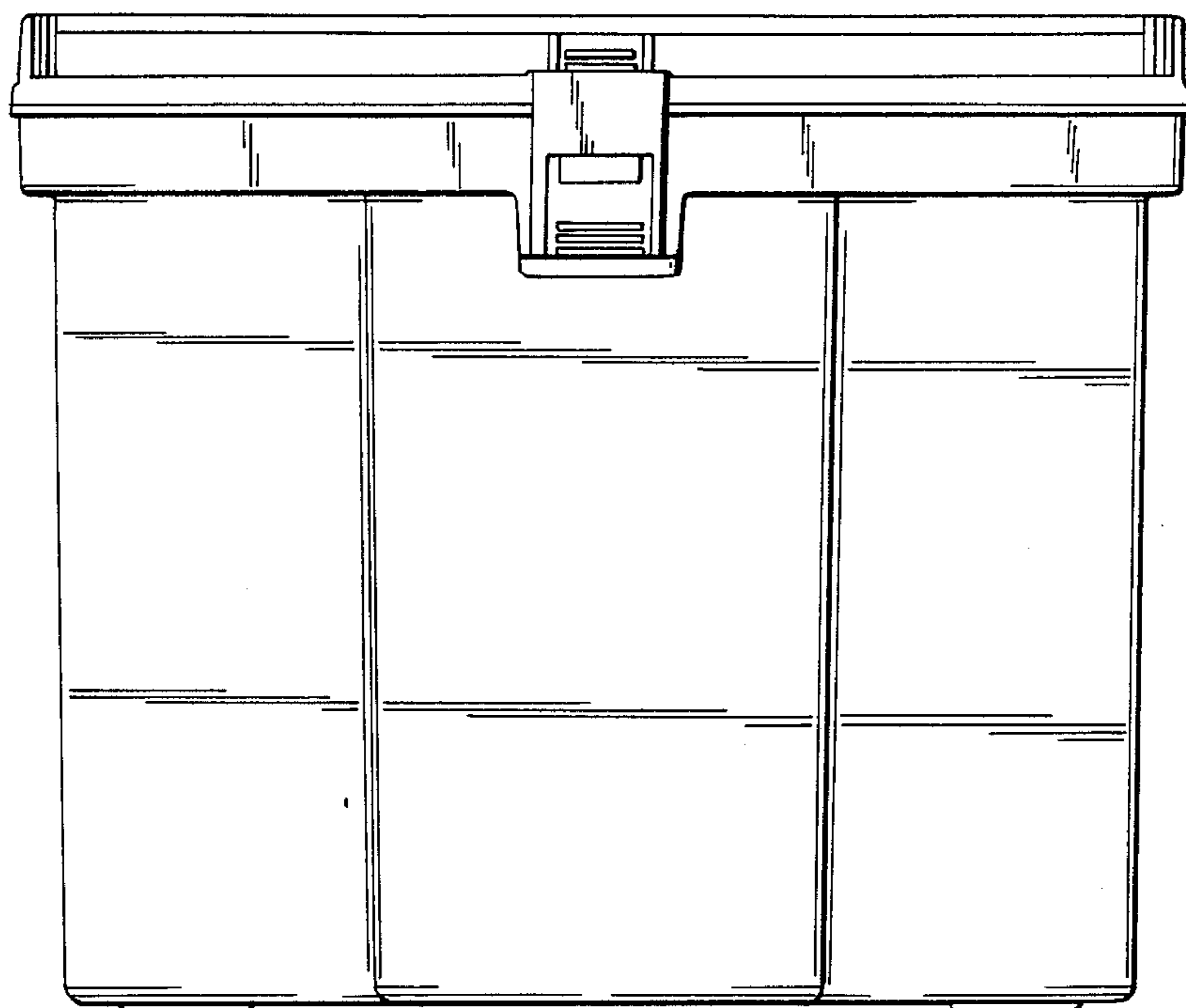


Fig. 3

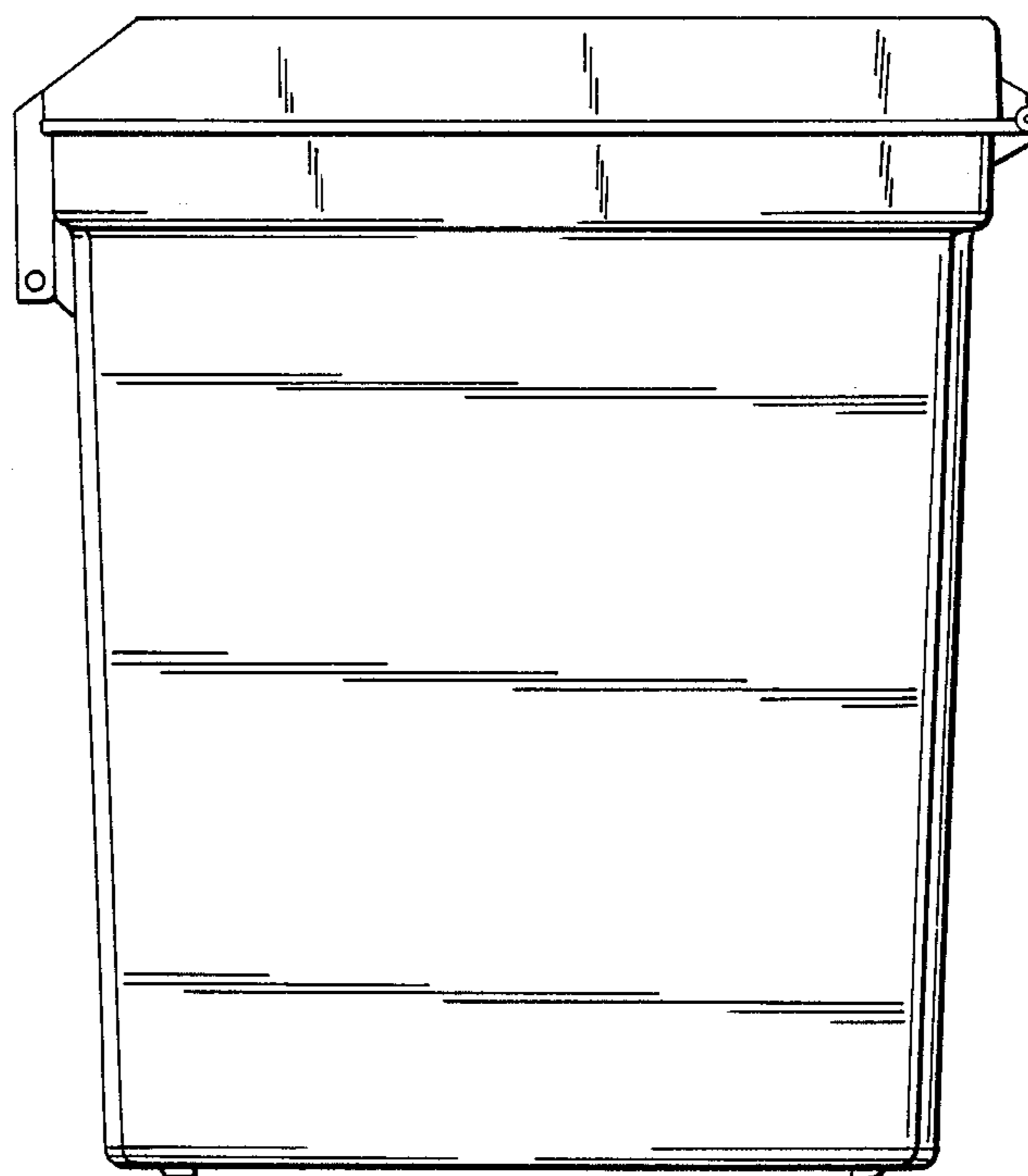


Fig. 4

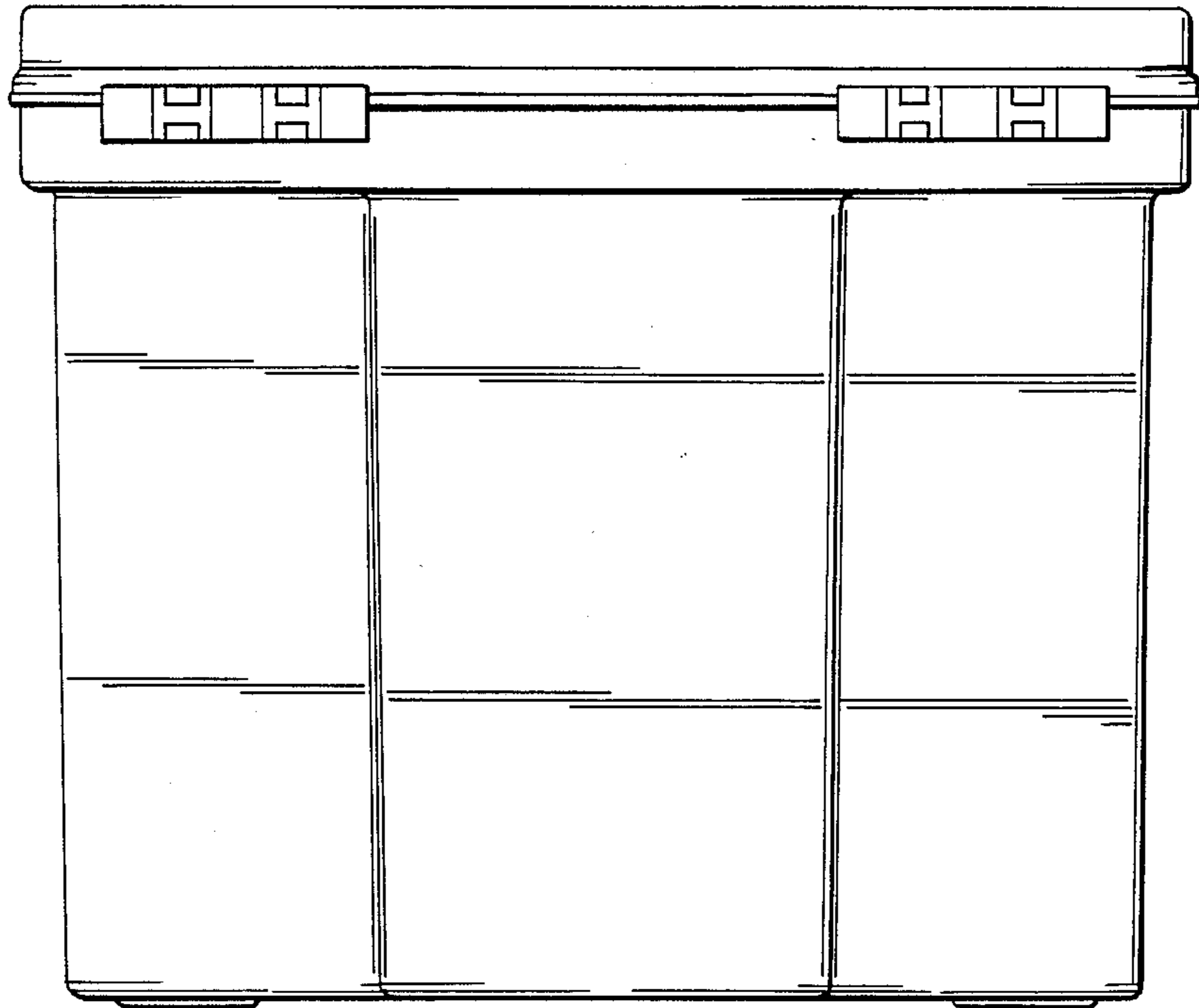


Fig. 5

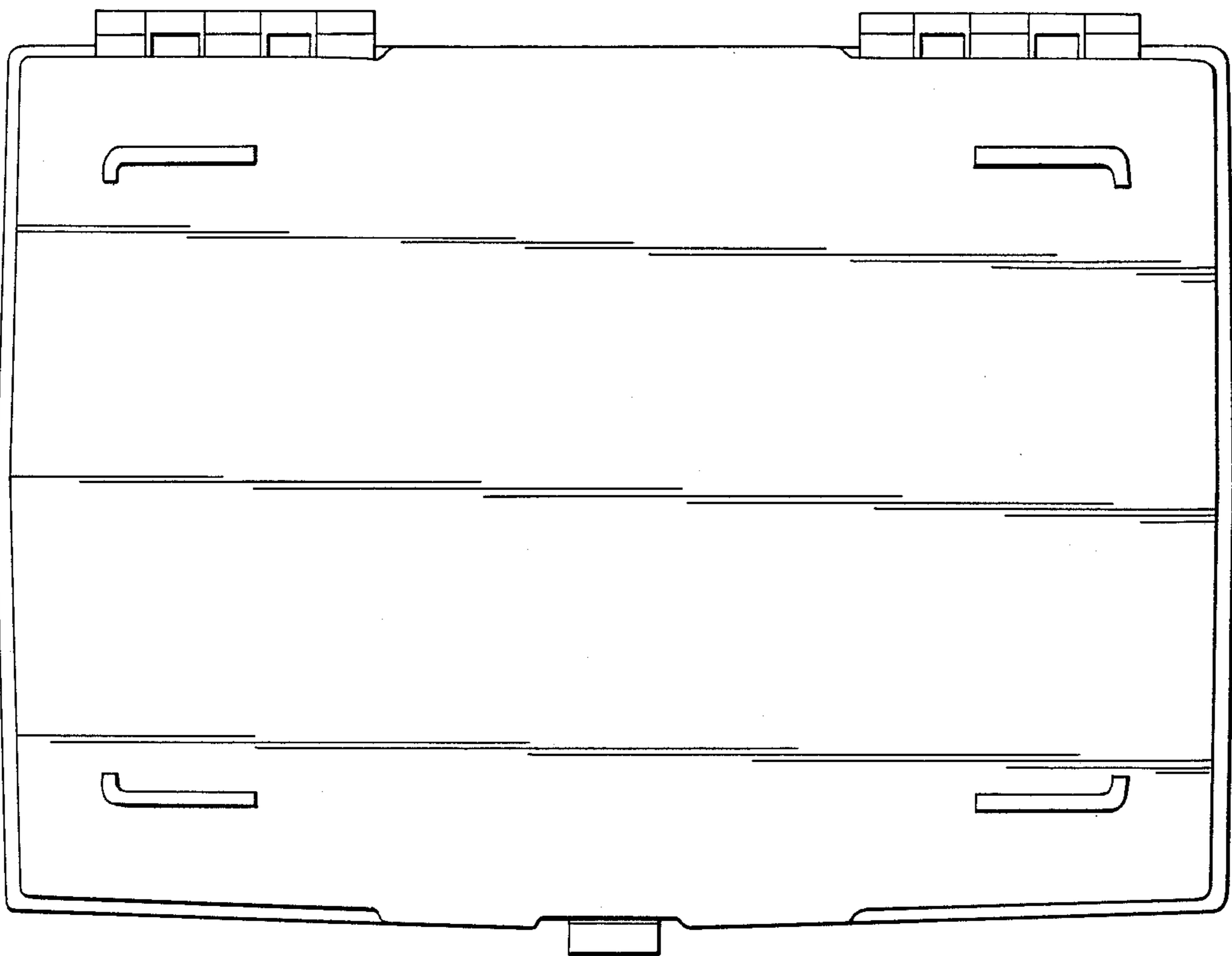


Fig. 6