

[54] FACSIMILE TRANSCEIVER

[75] Inventors: Hideyuki Hosogai; Junji Morihiro, both of Nagano, Japan

[73] Assignee: Matsushita Graphic Communication Systems, Inc., Tokyo, Japan

[**] Term: 14 Years

[21] Appl. No.: 123,072

[22] Filed: Nov. 19, 1987

[30] Foreign Application Priority Data

Jun. 19, 1987 [JP] Japan 62-25148

[52] U.S. Cl. D14/118

[58] Field of Search D14/118, 142, 144, 151; D18/36, 37; 358/256, 286

[56] References Cited

U.S. PATENT DOCUMENTS

- D. 281,780 12/1985 Takeuchi et al. D14/118
- D. 288,444 2/1987 Takeuchi et al. D14/118
- D. 289,048 3/1987 Kojima D14/118
- D. 295,750 5/1988 Imai D14/118 X
- D. 299,494 1/1989 Tsuruoka D14/118

FOREIGN PATENT DOCUMENTS

604725 7/1983 Japan .

OTHER PUBLICATIONS

Modern Office Technology, Dec. 1986, p. 37, top-Toshiba TF-341.

Modern Office Technology, Sep. 1987, advertisement-Ricoh Facsimile.

The Office, Apr. 1987, p. 151, top right-Sharp Facsimile.

National Panfax UF-6 catalog of Oct. 1986 directed to a facsimile transceiver.

Primary Examiner—Bernard Ansher
Assistant Examiner—Theodore M. Shooman
Attorney, Agent, or Firm—Sughrue, Mion, Zinn, Macpeak & Seas

[57] CLAIM

The ornamental design for a facsimile transceiver, as shown.

DESCRIPTION

FIG. 1 is a front, top and left side perspective view of a facsimile transceiver showing our new design; FIG. 2 is a top, rear and right side perspective view thereof; FIG. 3 is a front elevational view thereof; FIG. 4 is a top plan view thereof; FIG. 5 is a rear elevational view thereof; FIG. 6 is a bottom plan view thereof; FIG. 7 is a left side elevational view thereof; and FIG. 8 is a right side elevational view thereof.

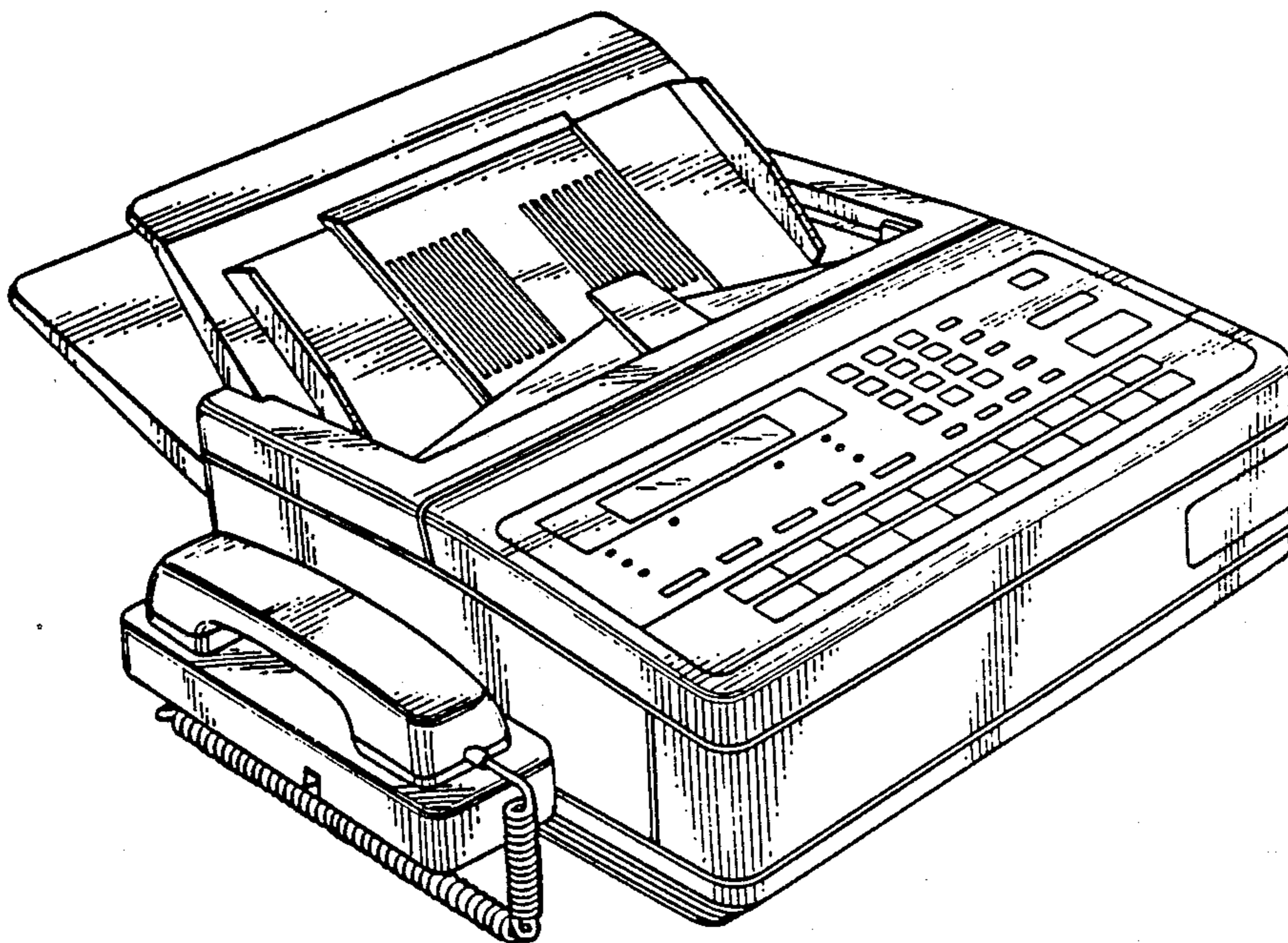


Fig. 1

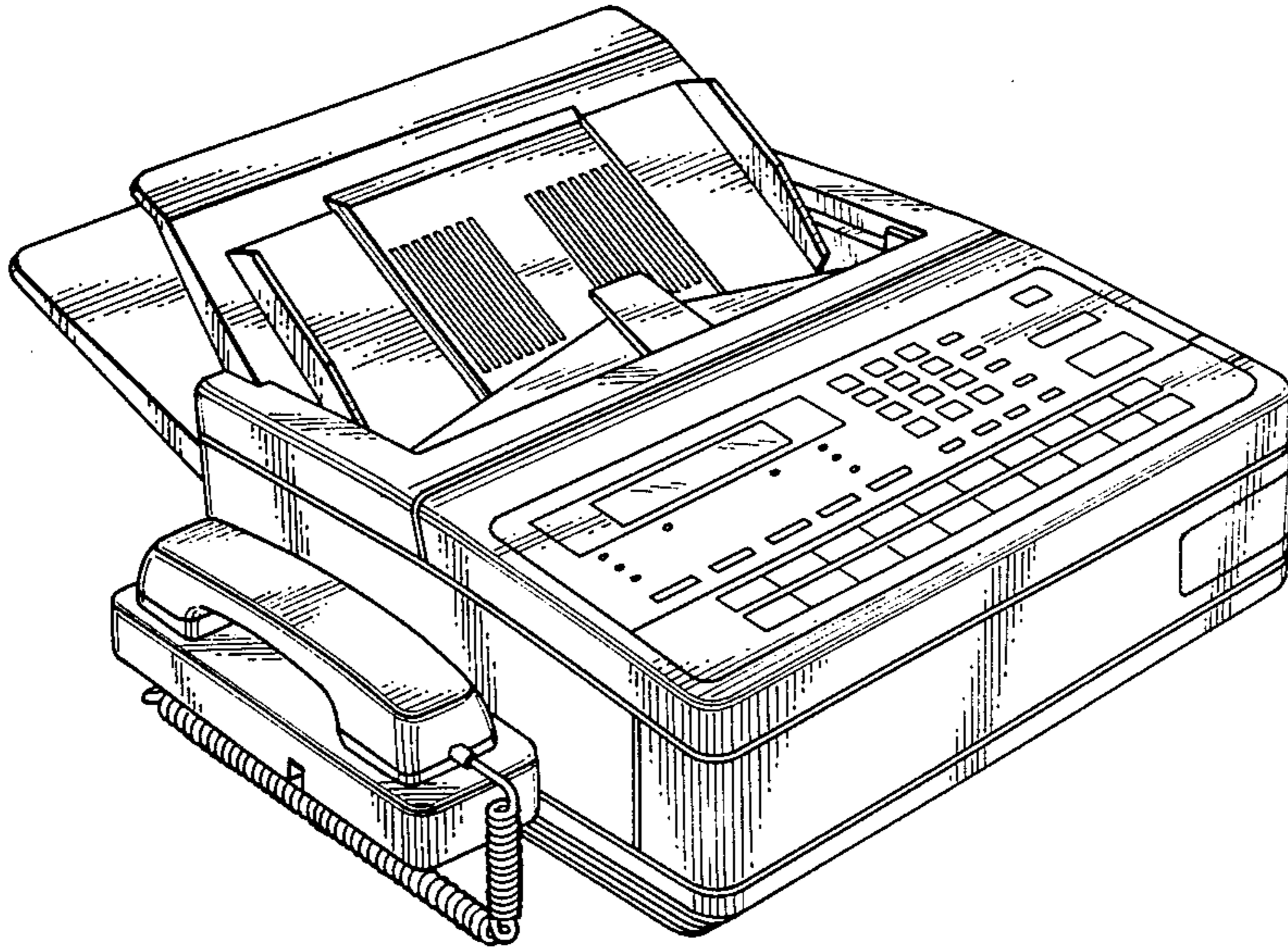


Fig. 2

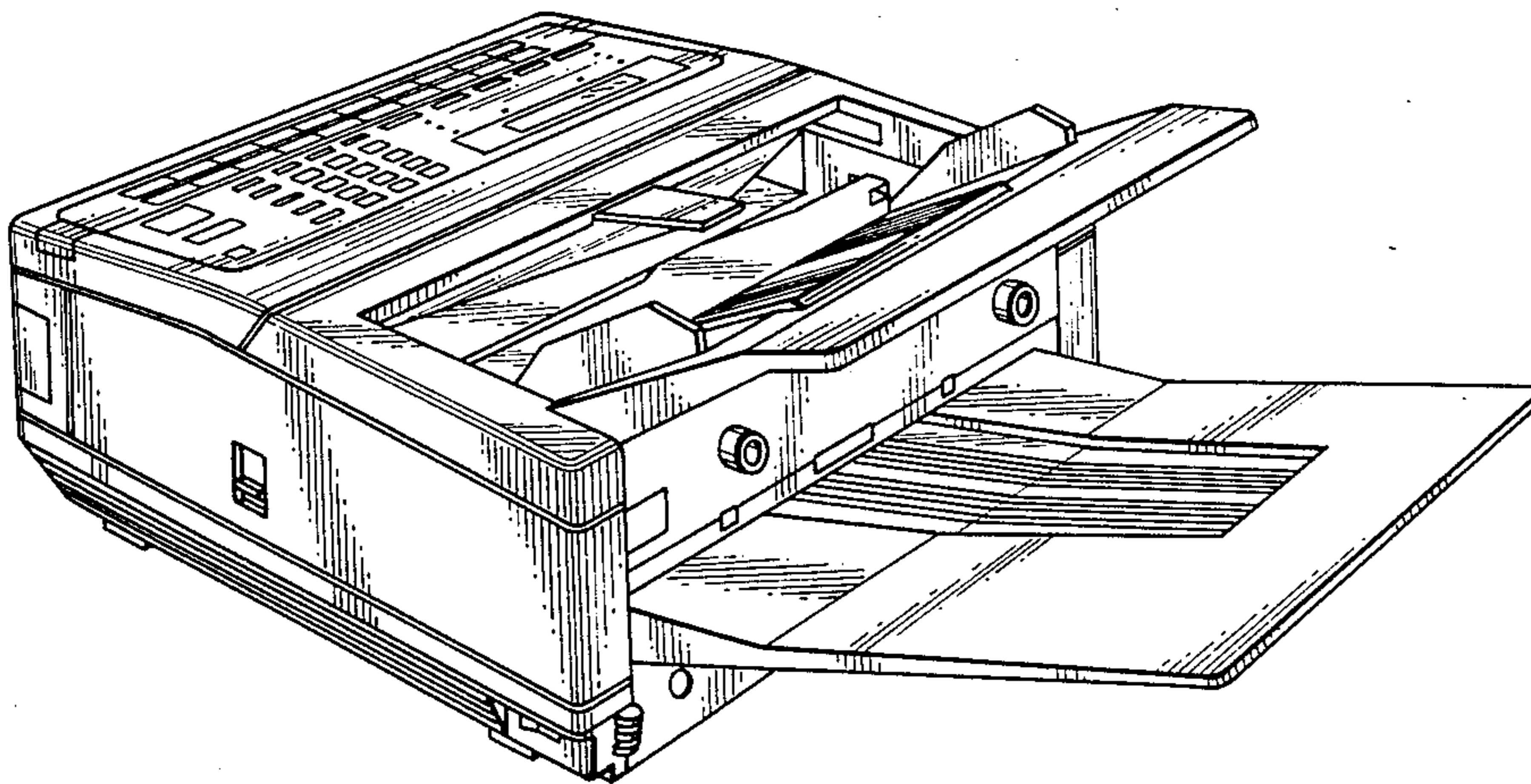


Fig. 3

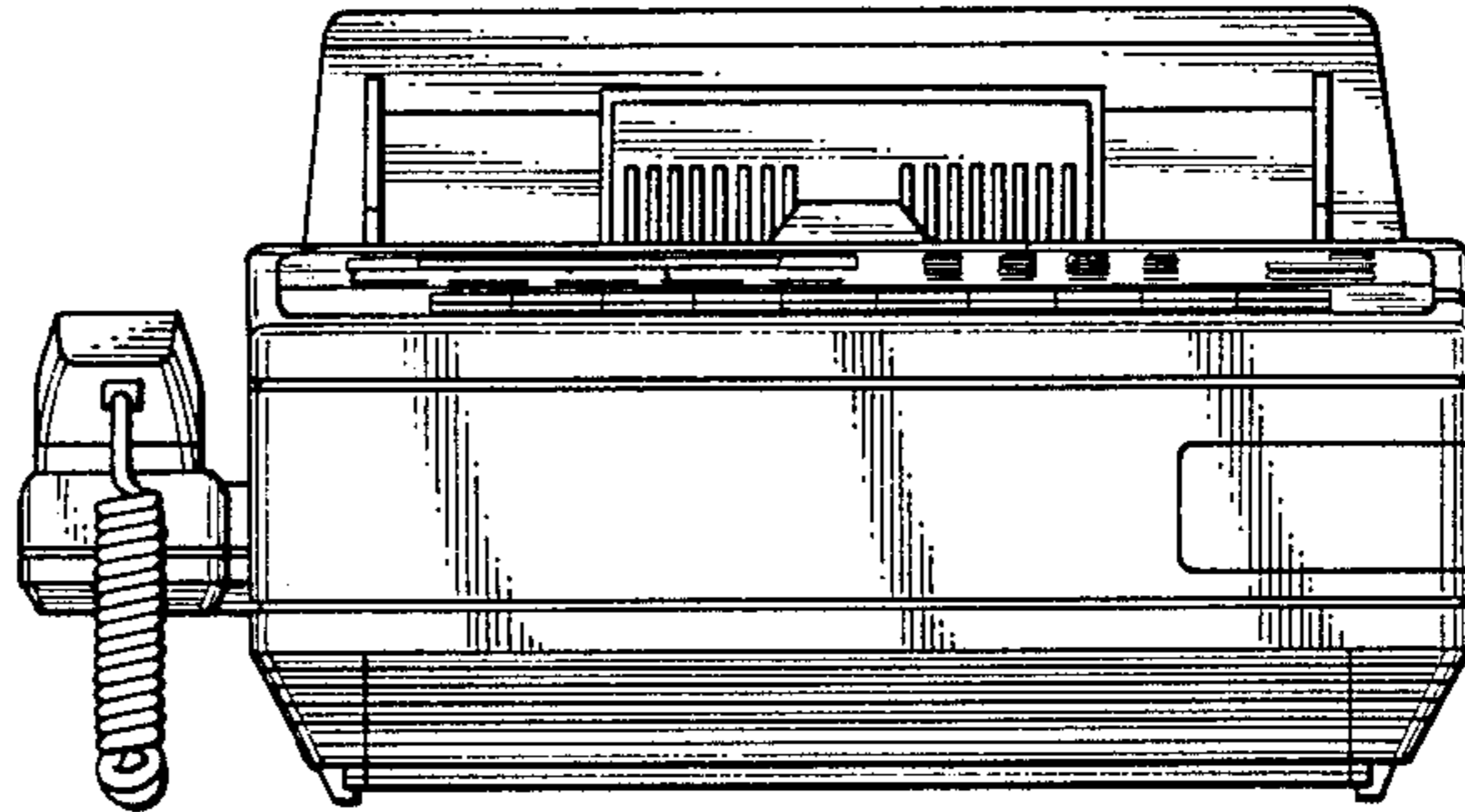


Fig. 4

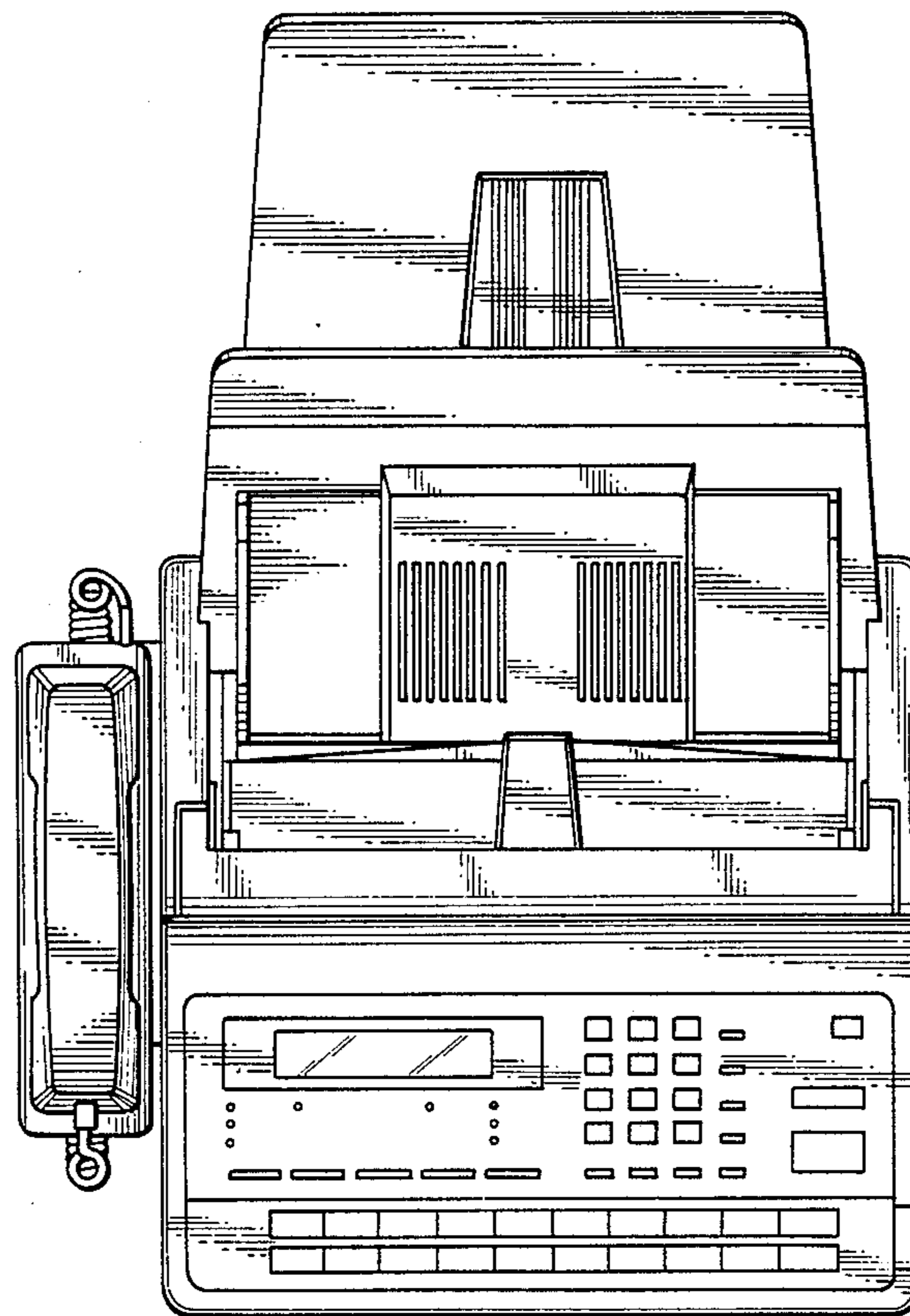


Fig. 5

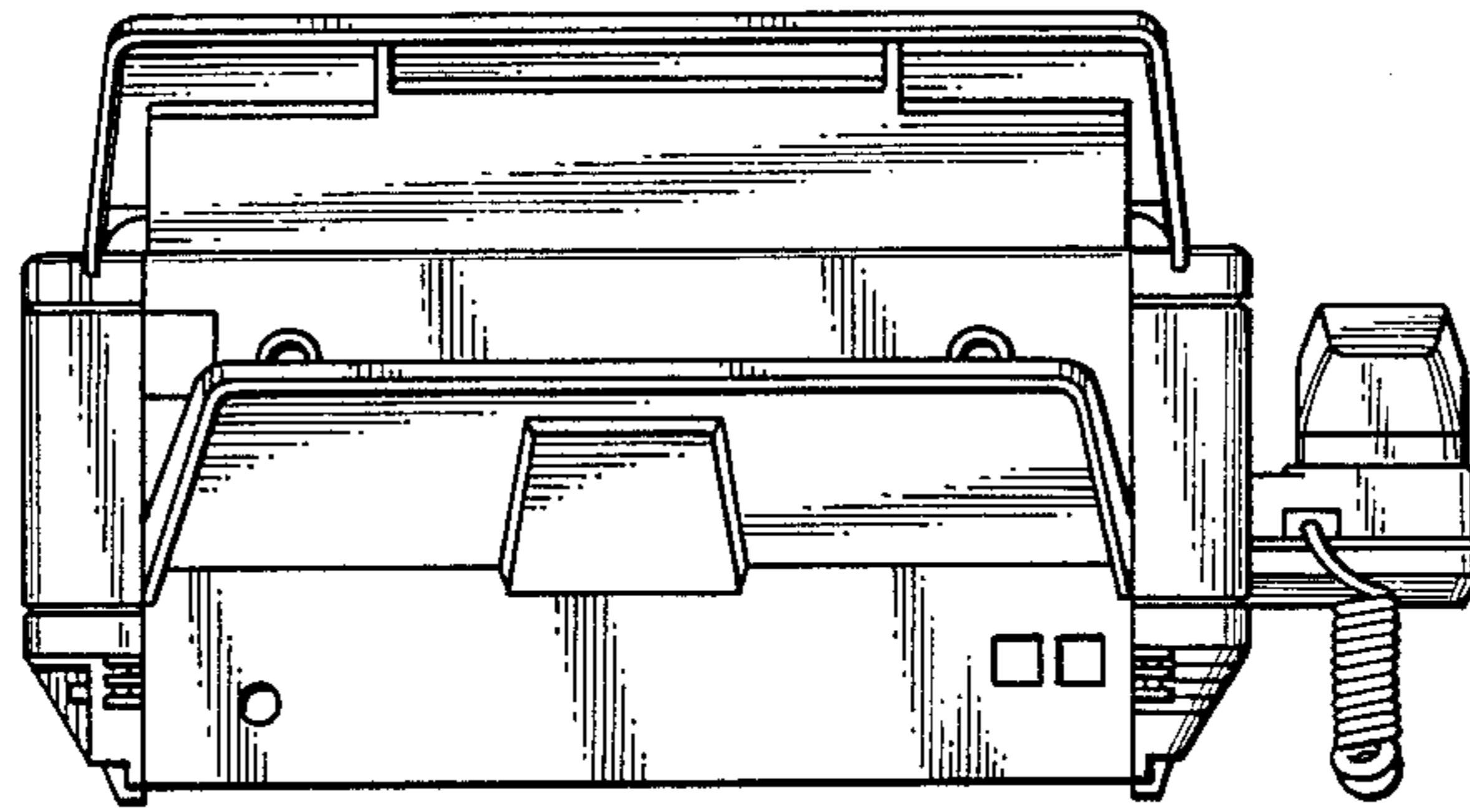


Fig. 6

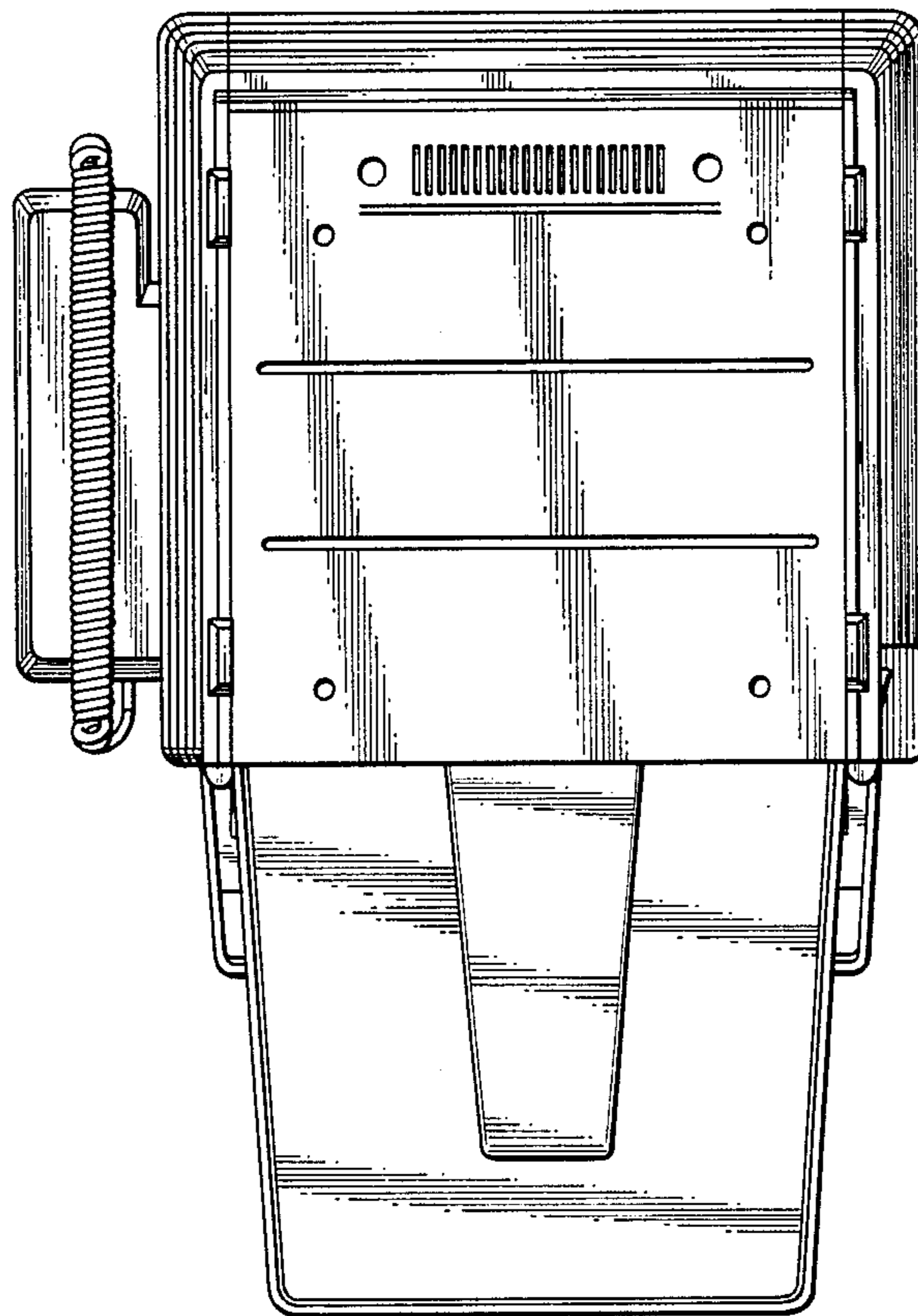


Fig. 7

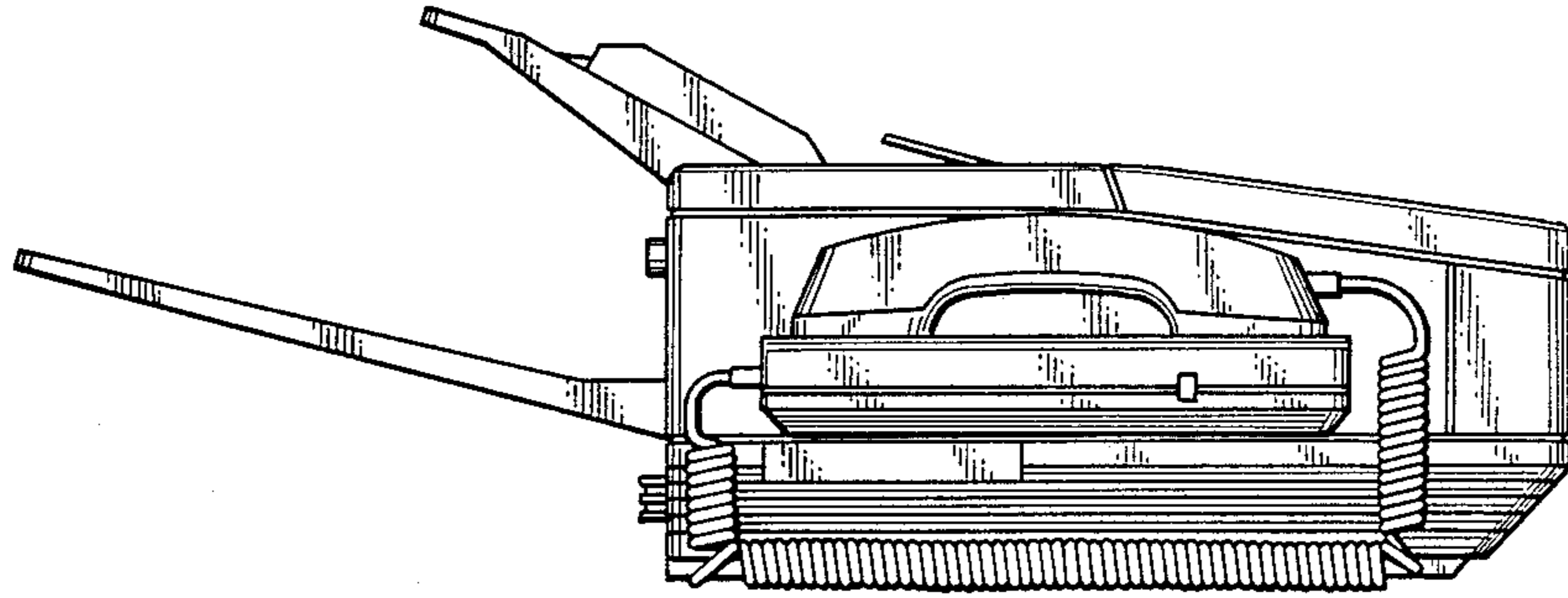


Fig. 8

