

[54] INTEGRATED CIRCUIT MEMORY MODULE

[75] Inventors: Michael De La Cruz, Saratoga; Sigmar W. Willnauer, Portola Valley, both of Calif.

[73] Assignee: Apple Computer Inc., Cupertino, Calif.

[**] Term: 14 Years

[21] Appl. No.: 39,529

[22] Filed: Apr. 16, 1987

[52] U.S. Cl. D14/114

[58] Field of Search D14/100, 118, 116, 121, D14/125; D3/35; D18/11, 12, 22; 206/312, 444; 273/148 B; 360/97, 98, 99, 132, 133; 361/392, 394, 395; 174/52.1, 52.4; 369/291; D13/40, 41

[56] References Cited

U.S. PATENT DOCUMENTS

- D. 287,253 12/1986 Satake D14/114 X
- D. 291,698 9/1987 Hirooka et al. D14/114

- D. 298,326 11/1988 Kimura D14/114
- D. 298,327 11/1988 Kimura D14/114
- 3,297,974 1/1967 Pittman 174/52.4 X
- 4,488,190 12/1984 Oishi et al. 360/97.01 X
- 4,493,145 1/1985 Honda 174/52.4 X
- 4,791,608 12/1988 Fushimoto 361/395 X

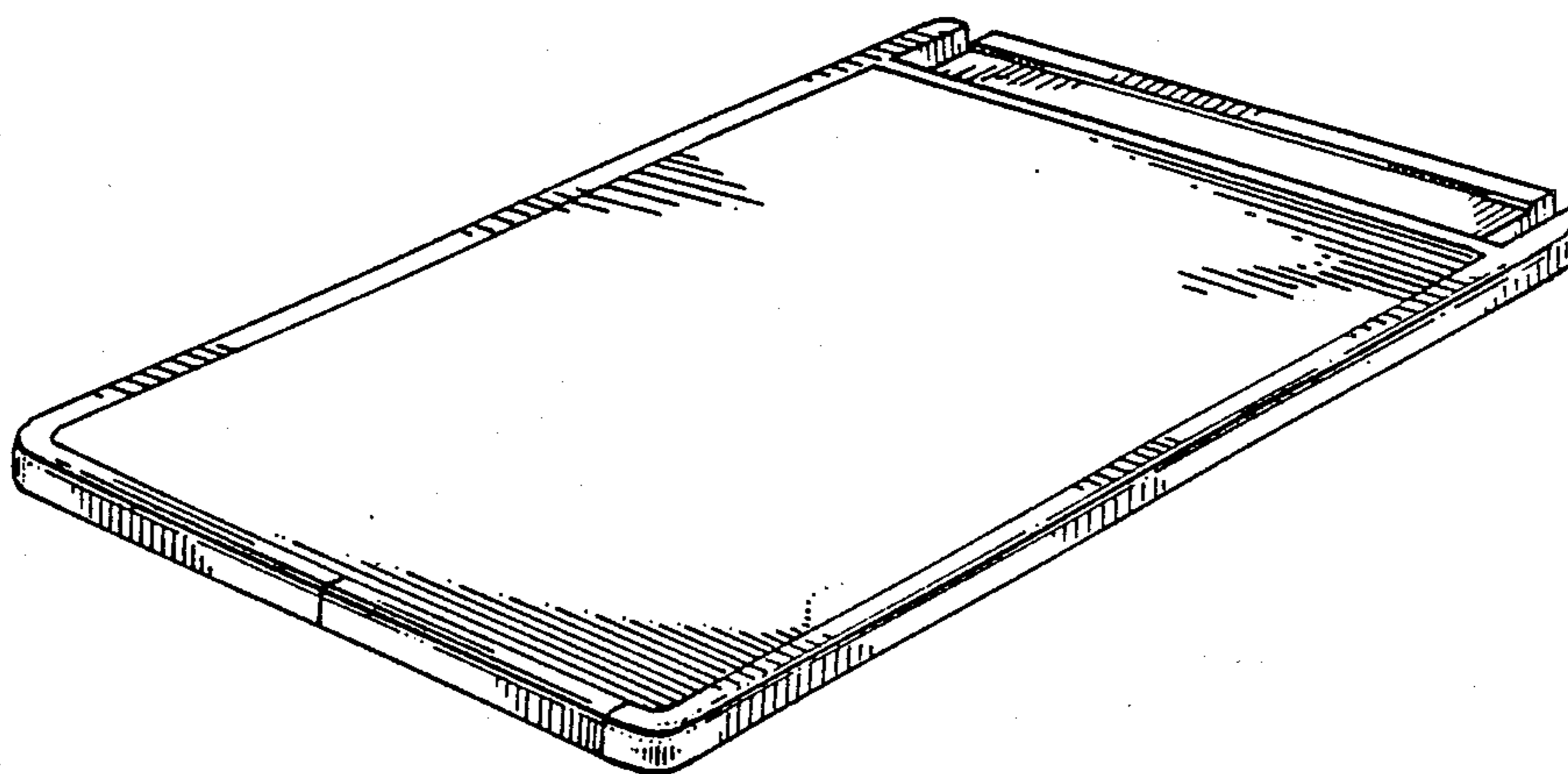
Primary Examiner—Susan J. Lucas
Assistant Examiner—Freda S. Nunn
Attorney, Agent, or Firm—Blakely, Sokoloff, Taylor & Zafman

[57] CLAIM

The ornamental design for an integrated circuit memory module, as shown.

DESCRIPTION

FIG. 1 is a top perspective view of the integrated circuit memory module showing our new design; FIG. 2 is a top plan view thereof; FIG. 3 is a front elevation view thereof; FIG. 4 is a right elevation view thereof; FIG. 5 is a left elevation view thereof; FIG. 6 is a rear elevation view thereof; FIG. 7 is a bottom plan view thereof.



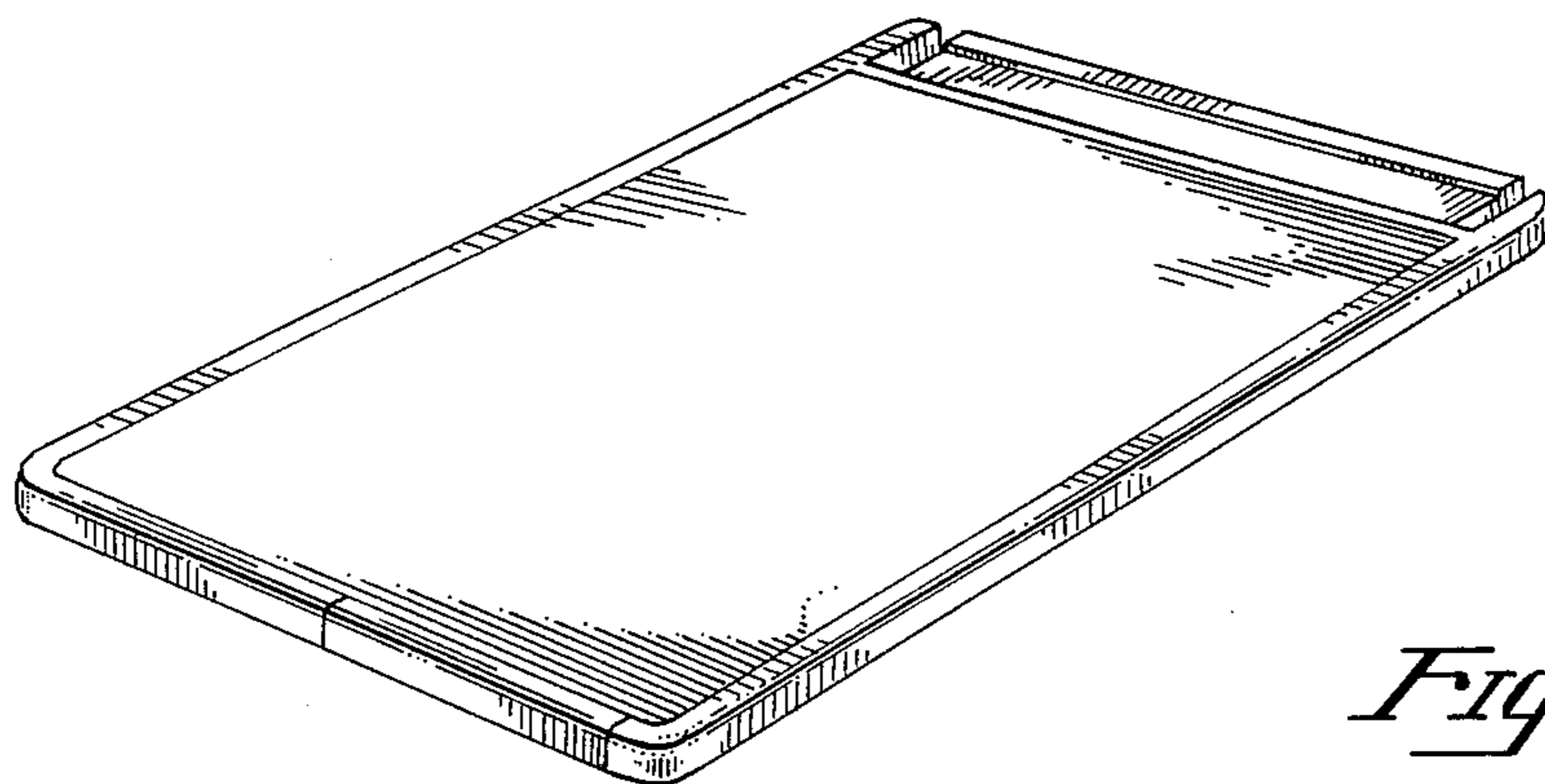


Fig. 1

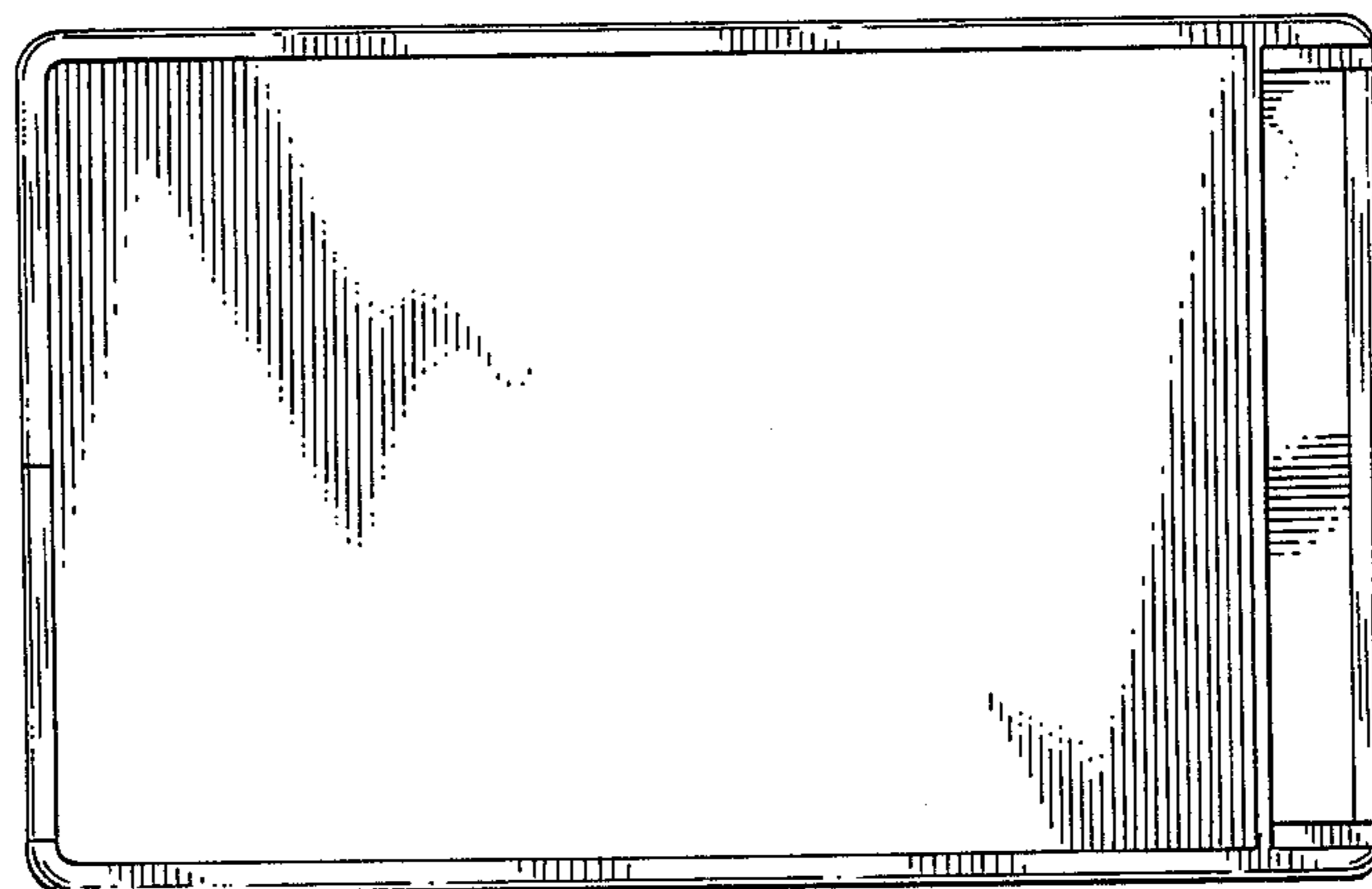


Fig. 2



Fig. 3



Fig. 4

Fig. 5

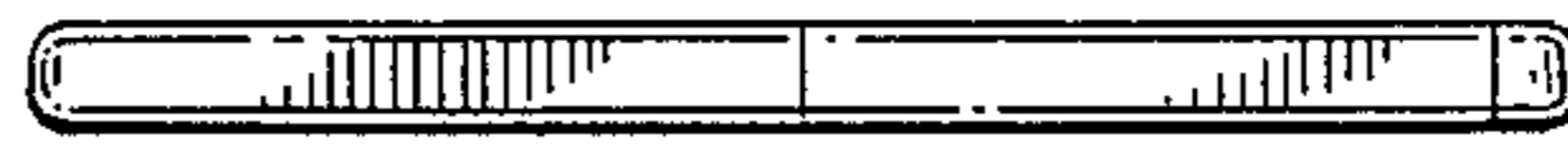


Fig. 6

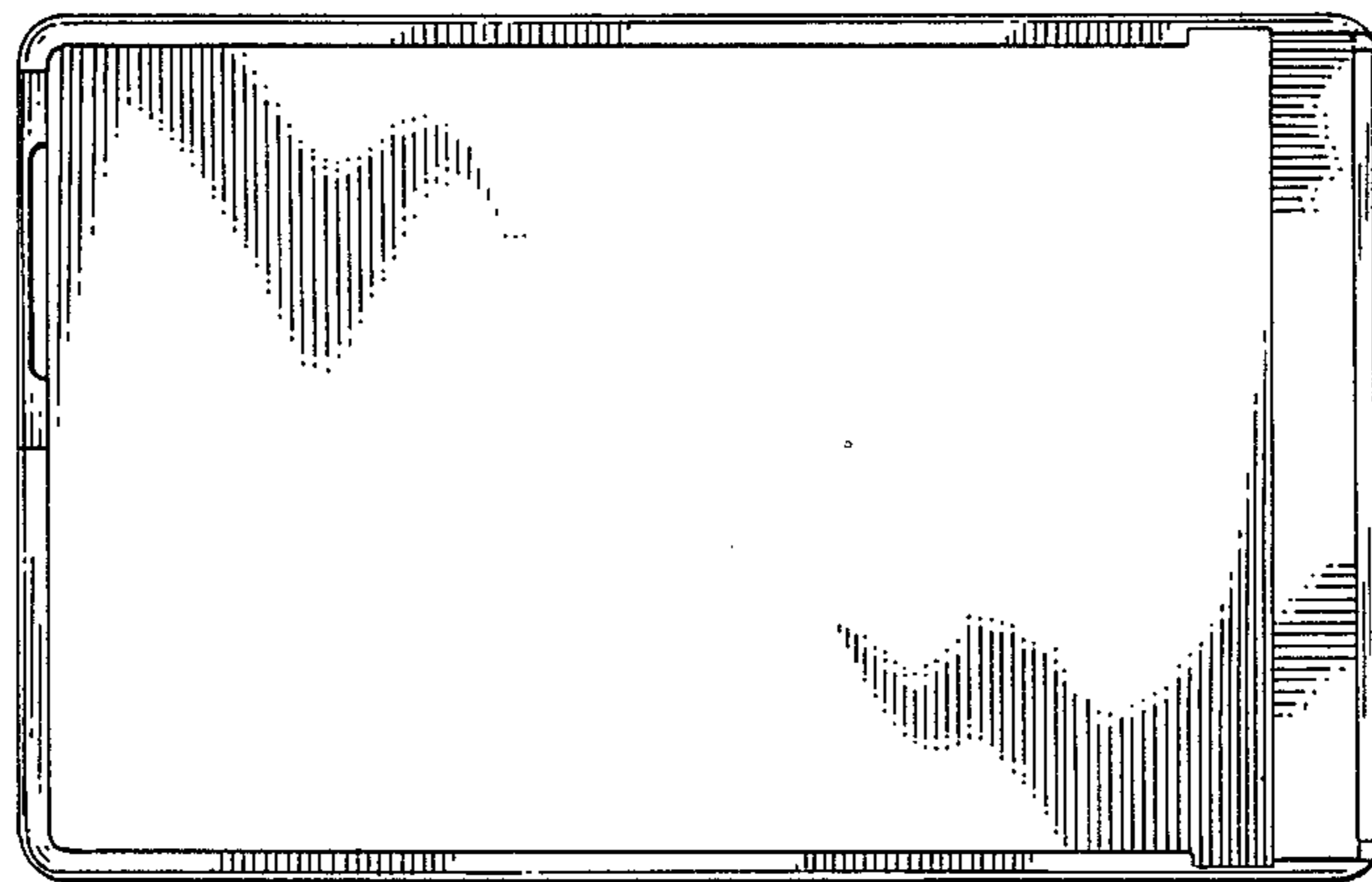


Fig. 7