

# United States Patent [19]

Adams et al.

[11] Patent Number: **Des. 304,447**

[45] Date of Patent: **\*\* Nov. 7, 1989**

[54] **HOUSING FOR MOVABLE CURSOR CONTROL FOR A VIDEO DISPLAY**

4,635,496 1/1987 McTyre ..... 273/148 B X  
4,797,665 1/1989 Ida et al. .... 340/710

[75] Inventors: **Steven Adams**, San Jose; **William Bull**, Sunnyvale; **Stephen Peart**, Los Gatos, all of Calif.

[73] Assignee: **Apple Computer Inc.**, Cupertino, Calif.

[\*\*] Term: **14 Years**

[21] Appl. No.: **33,482**

[22] Filed: **Mar. 31, 1987**

[52] U.S. Cl. .... **D14/114**

[58] Field of Search ..... **D14/100, 106, 107, 114, D14/116; D13/32, 38; D21/48, 153, 188, 189; 74/471 XY; 178/18, 19; 200/5 A, 5 R, 6 A, 6 R; 340/706, 709, 710, 711; 341/22, 23; 273/148 B**

[56] **References Cited**

### U.S. PATENT DOCUMENTS

D. 283,818 5/1986 Skaggs ..... D14/114  
D. 284,284 6/1986 Manock et al. .... D13/38 X  
4,464,652 8/1984 Lapson et al. .... 340/710  
4,559,532 12/1985 Hosogoe ..... 340/710

### OTHER PUBLICATIONS

Icon Review—The Mac Catalog—Winter 1986, p. 16, Click Art Mouse (top of page).

*Primary Examiner*—Susan J. Lucas

*Assistant Examiner*—Freda S. Nunn

*Attorney, Agent, or Firm*—Blakely, Sokoloff, Taylor & Zafman

### [57] CLAIM

The ornamental design for a housing for movable cursor control for a video display, as shown.

### DESCRIPTION

FIG. 1 is a top, front, right side perspective view of a housing for movable cursor control for a video display showing our new design;

FIG. 2 is a top plan view thereof;

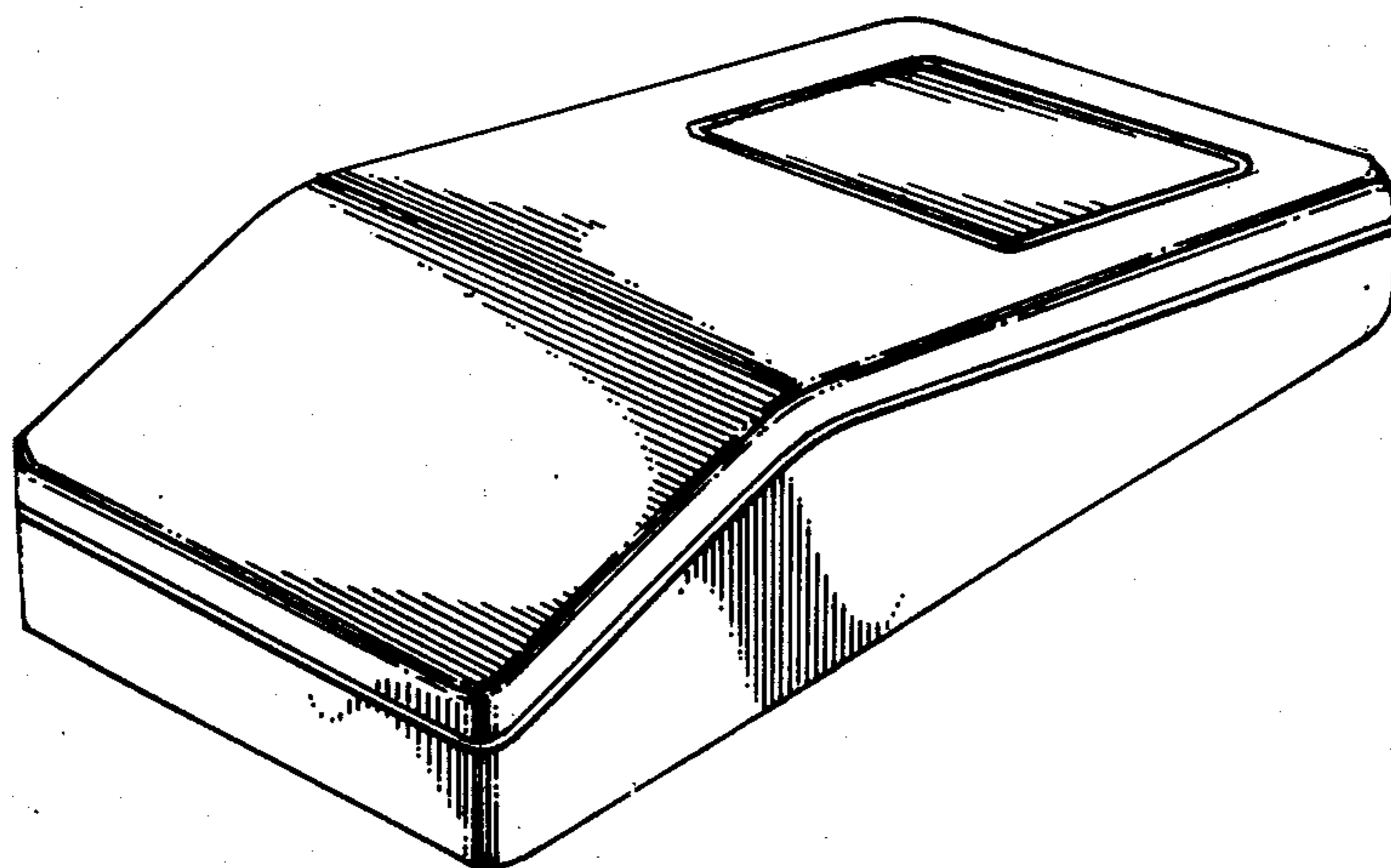
FIG. 3 is a front elevational view thereof;

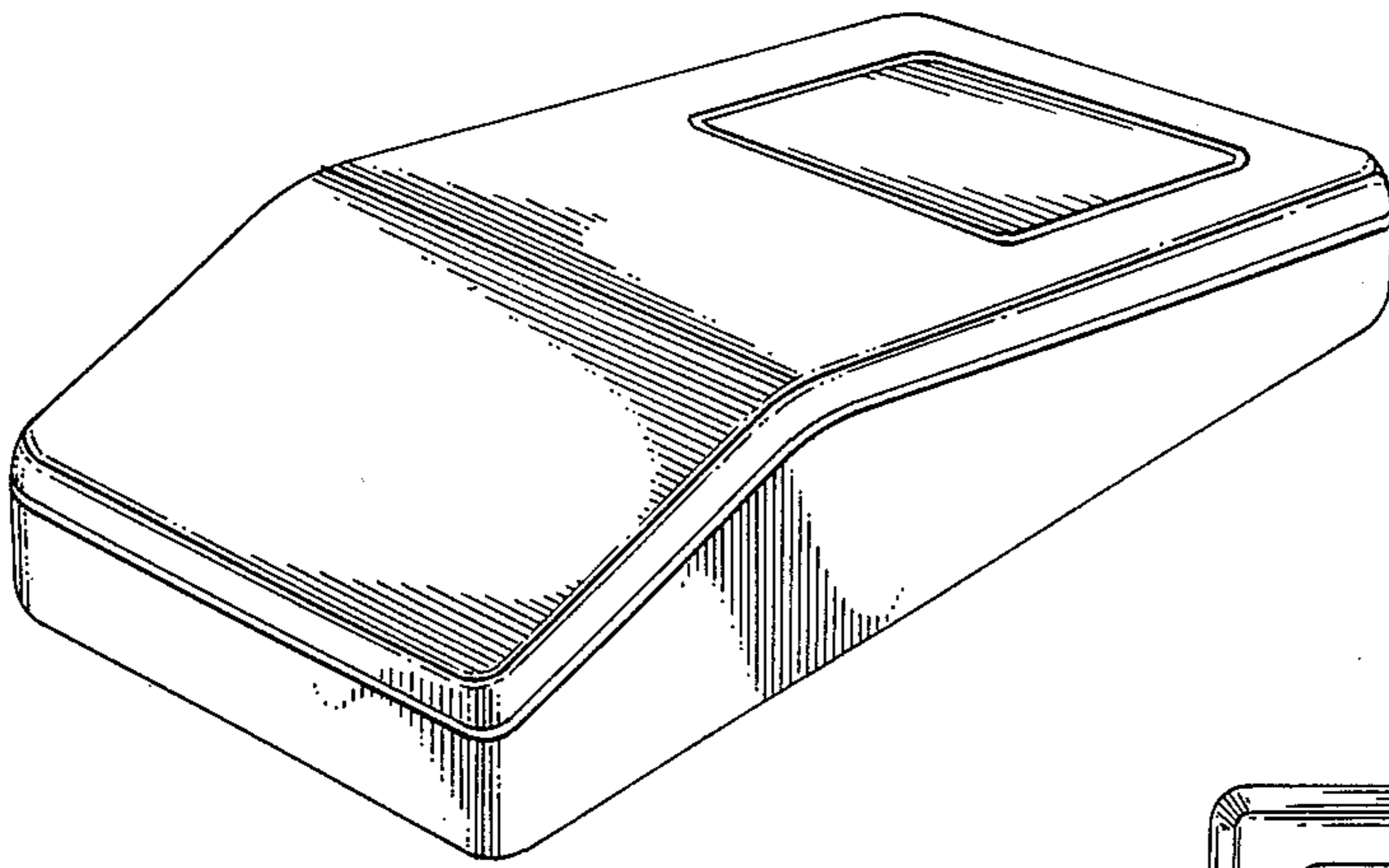
FIG. 4 is a right side elevational view thereof;

FIG. 5 is a left side elevational view thereof;

FIG. 6 is a rear elevational view thereof;

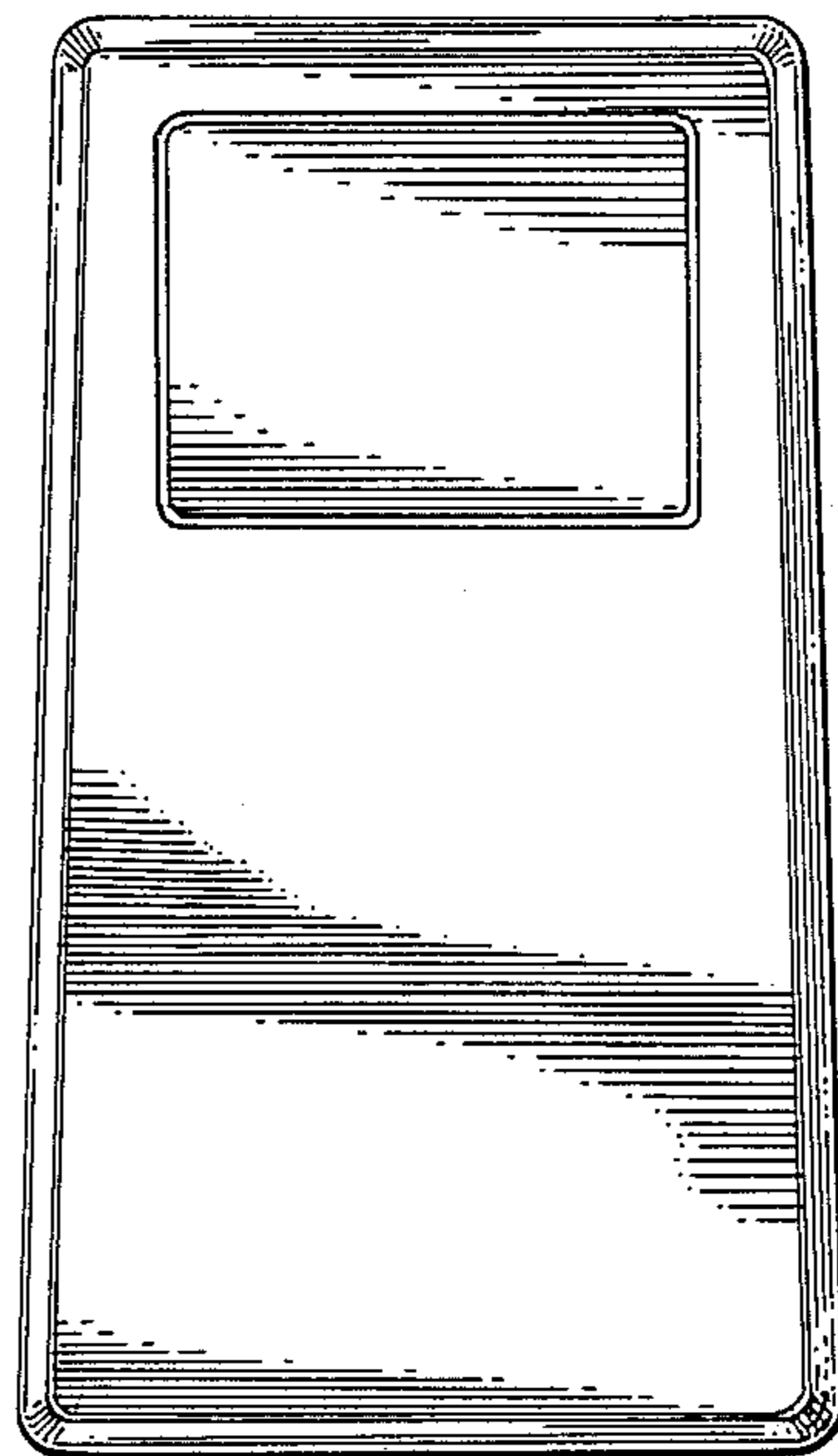
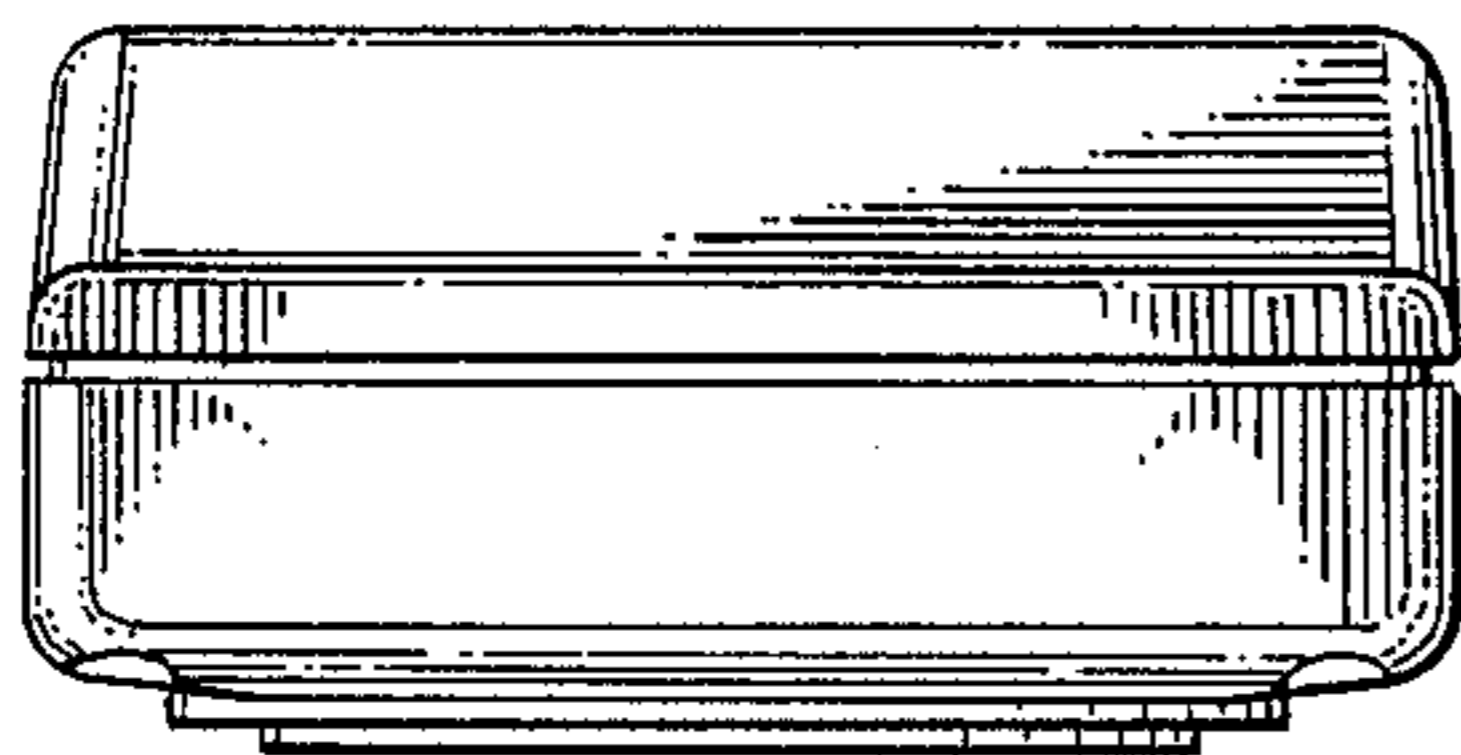
FIG. 7 is a bottom plan view thereof.



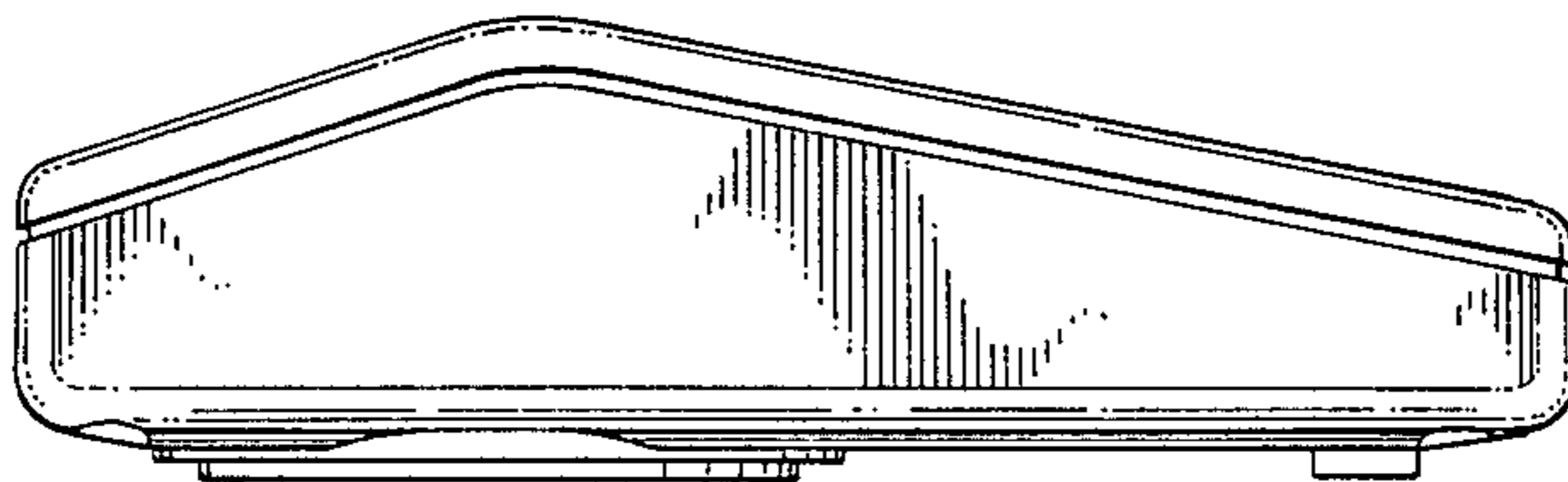


*Fig. 1*

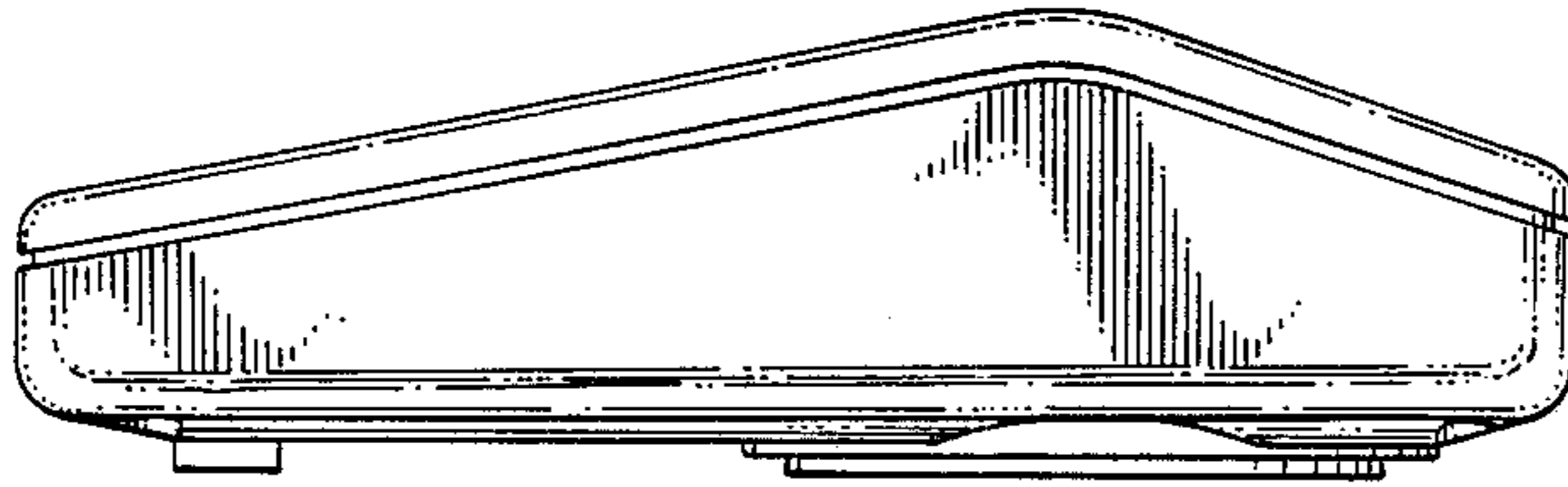
*Fig. 3*



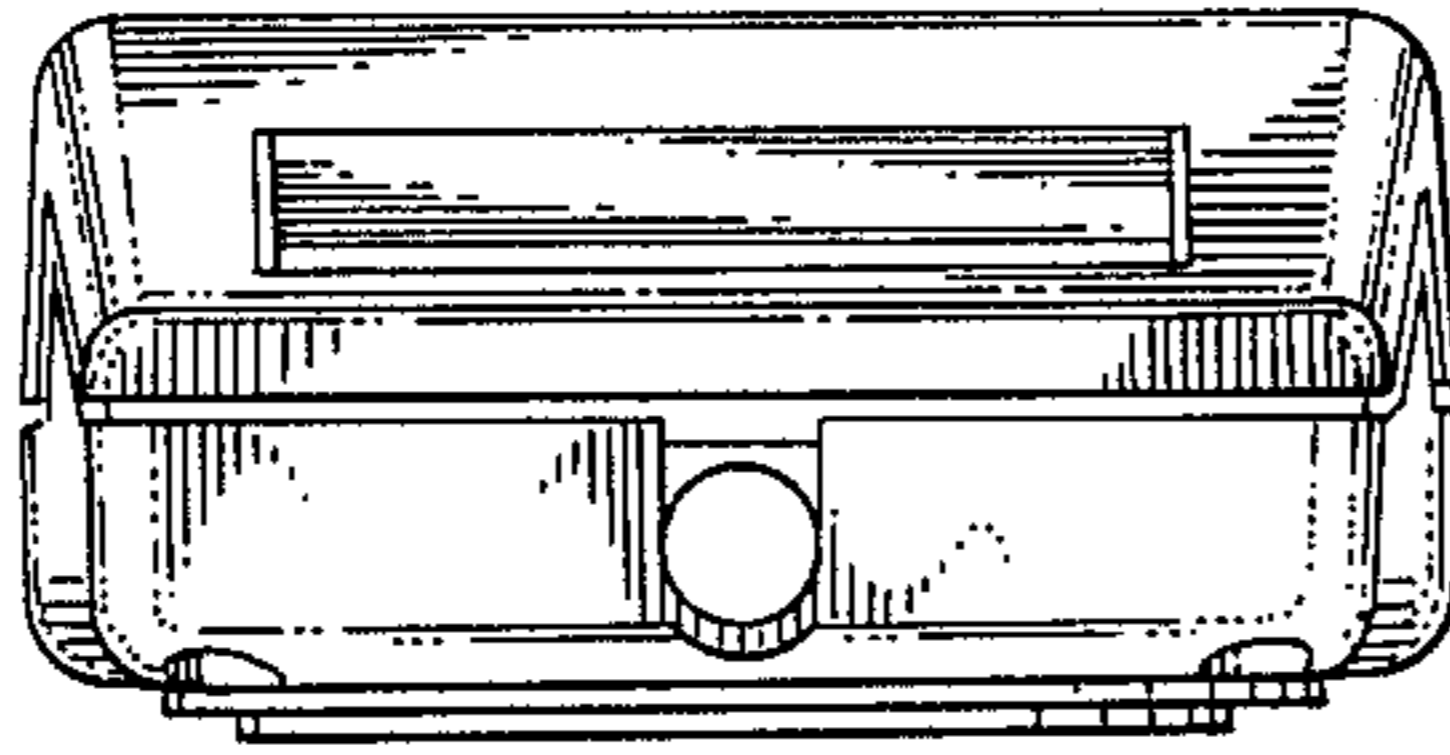
*Fig. 2*



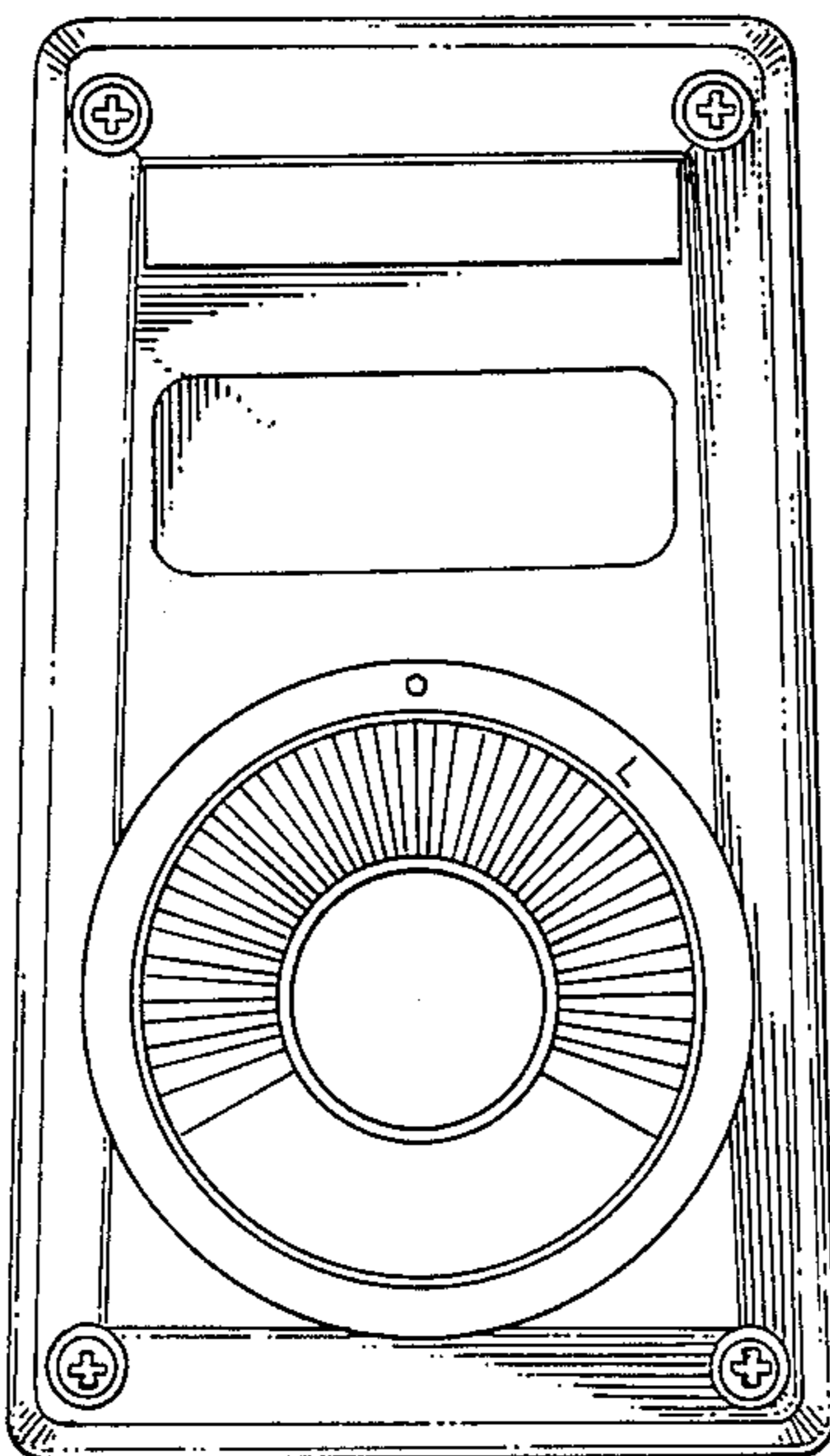
*Fig. 4*



*Fig. 5*



*Fig. 6*



*Fig. 7*