

United States Patent [19]

Hoover et al.

[11] Patent Number: **Des. 304,446**

[45] Date of Patent: **** Nov. 7, 1989**

[54] **FOUR BUTTON CURSOR**

[75] Inventors: **Rick L. Hoover, Glendale; James L. Rodgers, Mesa, both of Ariz.**

[73] Assignee: **Kurta Corporation, Phoenix, Ariz.**

[**] Term: **14 Years**

[21] Appl. No.: **929,761**

[22] Filed: **Nov. 10, 1986**

[52] U.S. Cl. **D14/114**

[58] Field of Search **D14/109, 106, 107, 114, D14/116; D13/32, 38; D21/48, 153, 188, 189; 74/471 XY; 178/18, 19; 200/5 A, 5 R, 6 A, 6 R; 340/706, 709, 710, 711; 341/22, 23; 273/148 B**

[56] **References Cited**

U.S. PATENT DOCUMENTS

D. 281,776 12/1985 Griffin D13/32

D. 285,445 9/1986 Davis et al. D14/114
D. 288,930 3/1987 Barbera et al. D14/114
D. 291,318 8/1987 Kim D21/48 X
4,488,017 12/1984 Lee 200/6 A X

Primary Examiner—Susan J. Lucas

Assistant Examiner—Freda Selma-Nunn

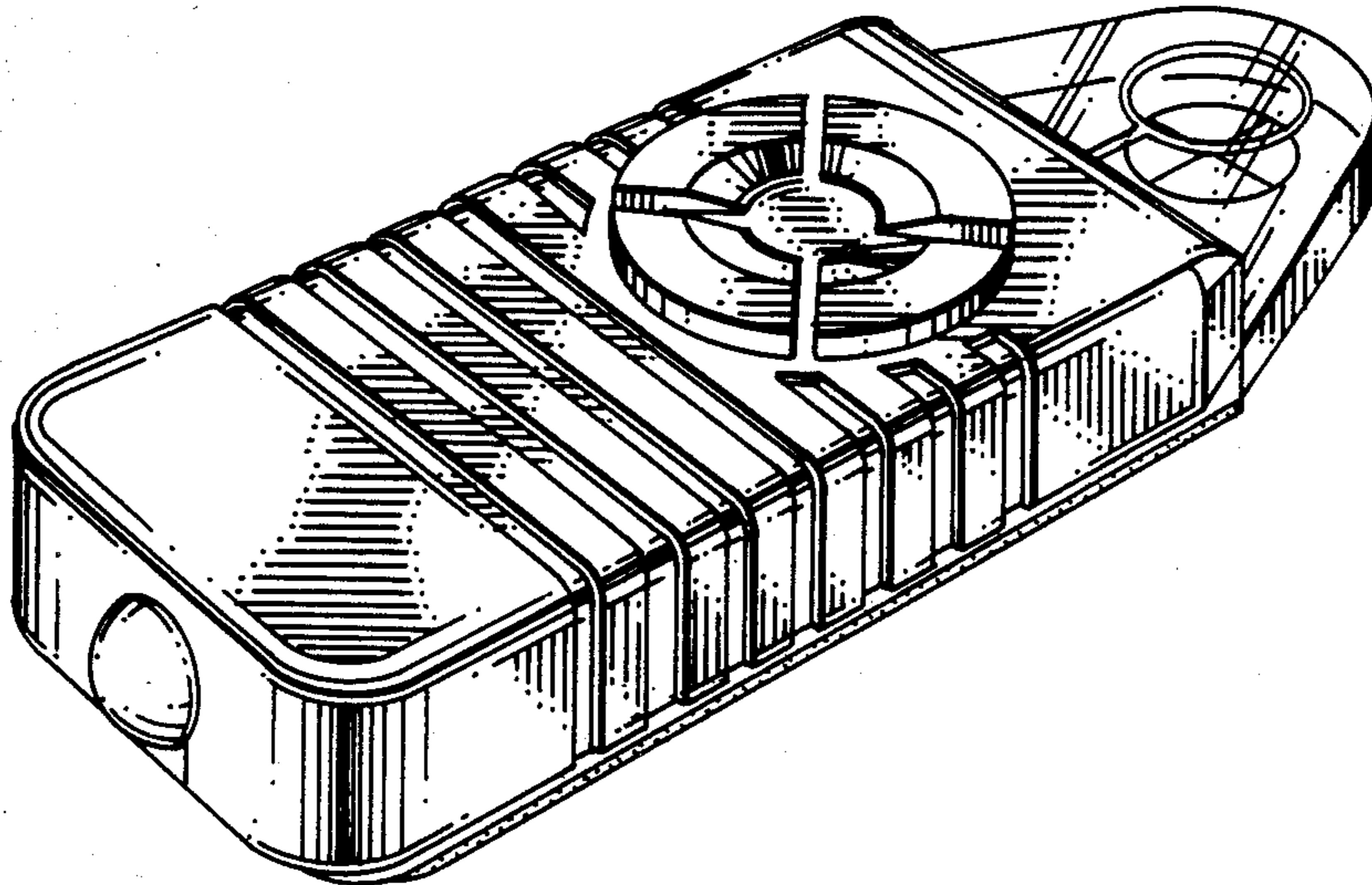
Attorney, Agent, or Firm—Cahill, Sutton & Thomas

[57] **CLAIM**

The ornamental design for four button cursor, as shown and described.

DESCRIPTION

FIG. 1 is a right front perspective view of a four button cursor showing my new design;
FIG. 2 is a bottom view thereof;
FIG. 3 is a rear elevational view thereof;
FIG. 4 is a right end elevational view thereof; and
FIG. 5 is a left end elevational view thereof.



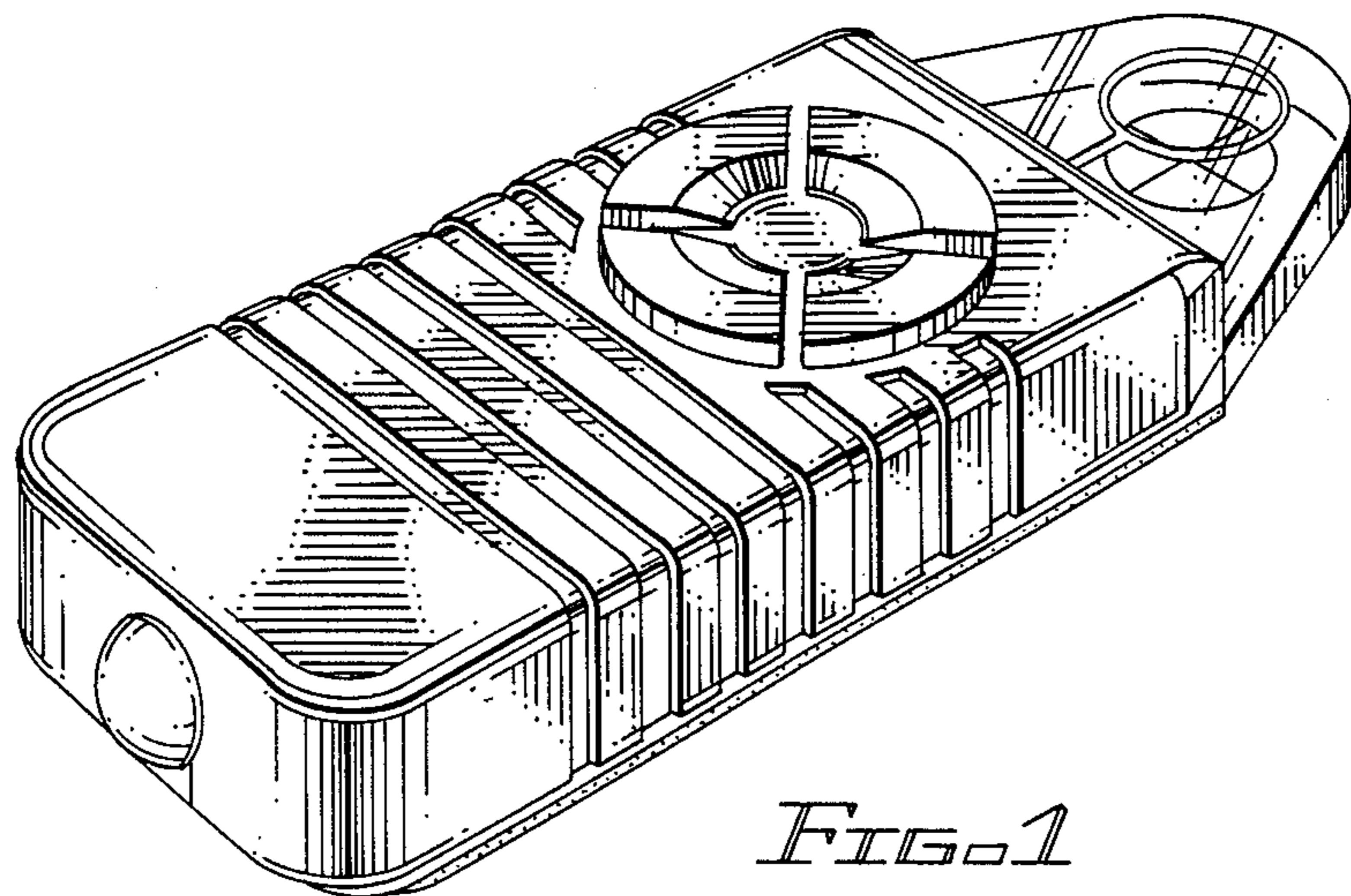


FIG. 1

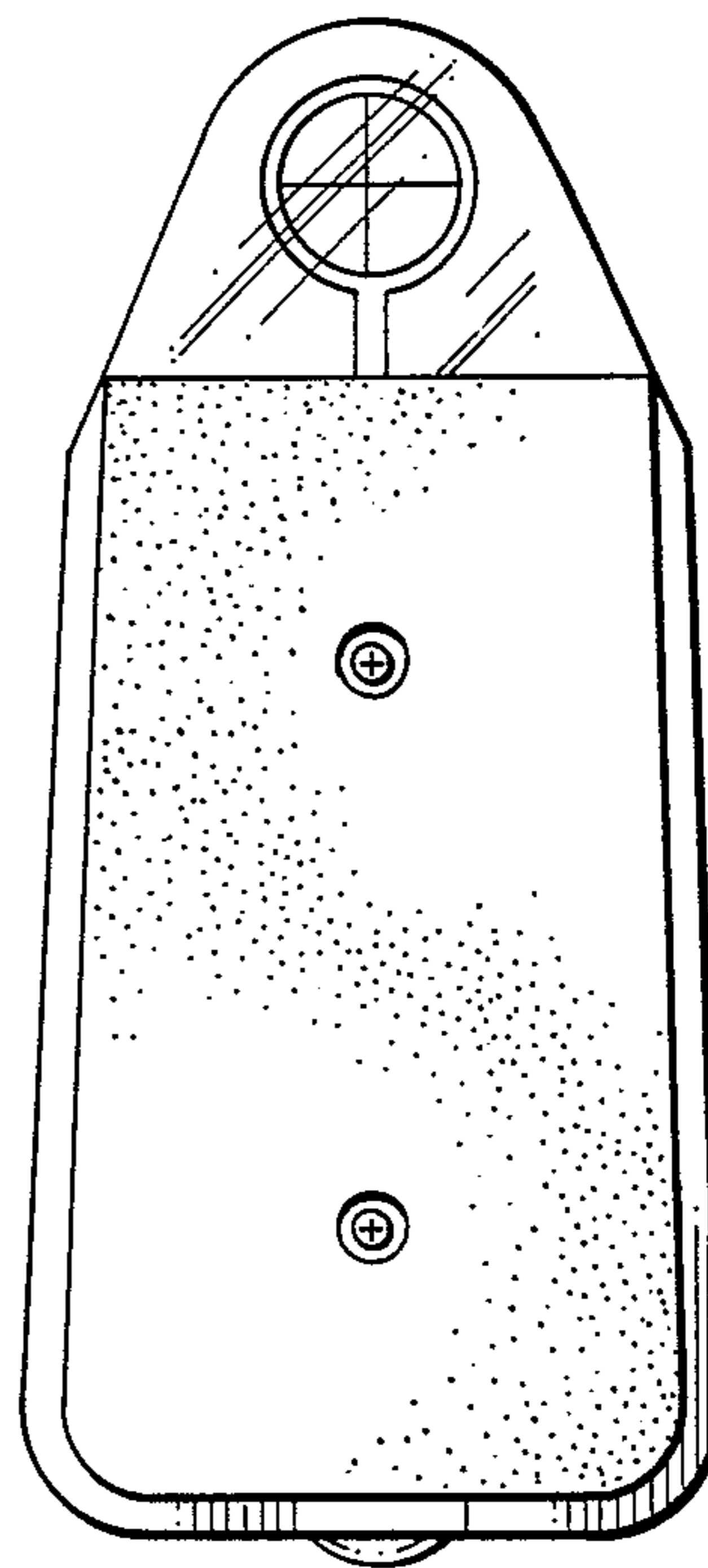


FIG. 2

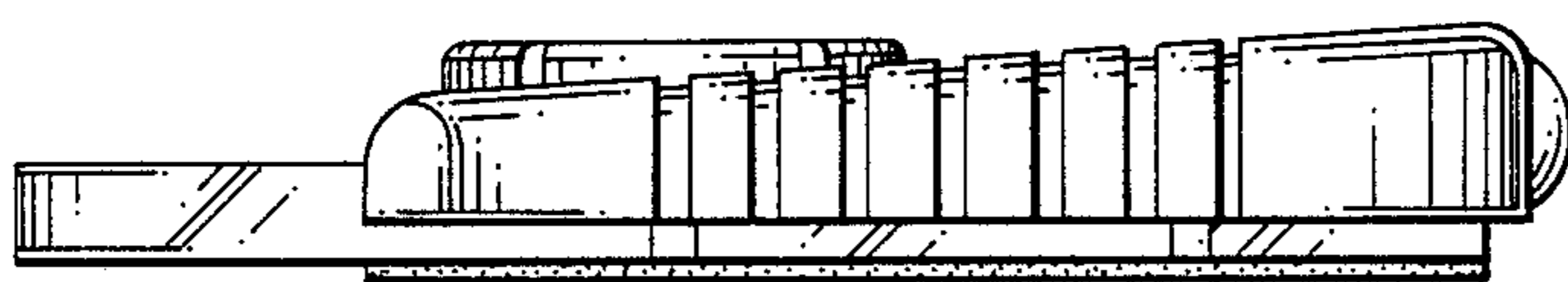


FIG. 3

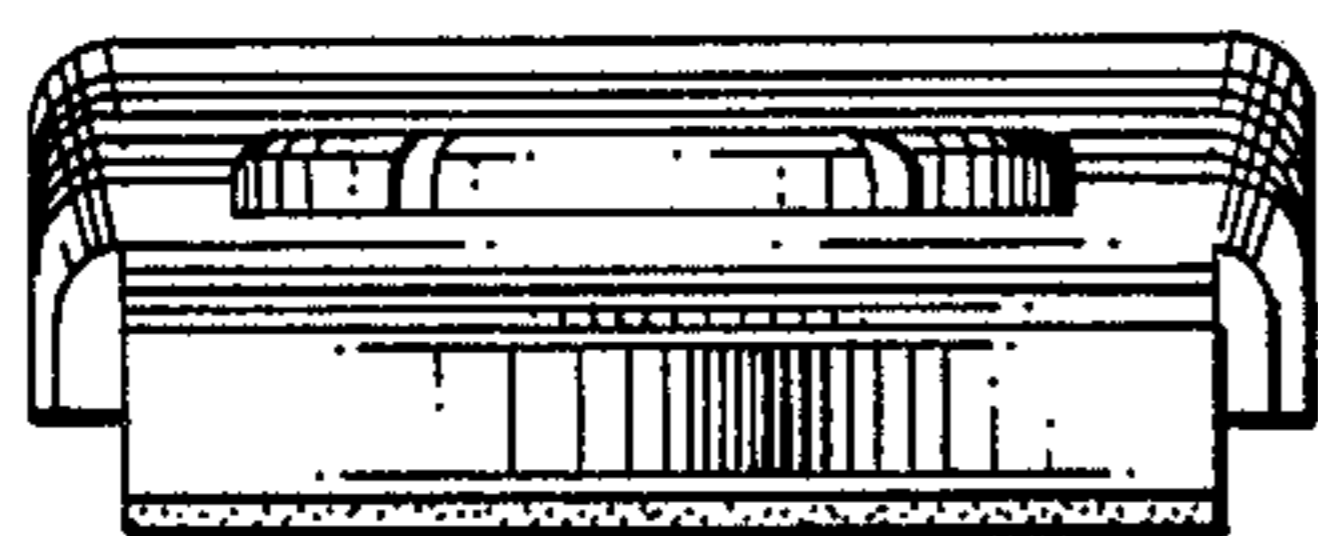


FIG. 4

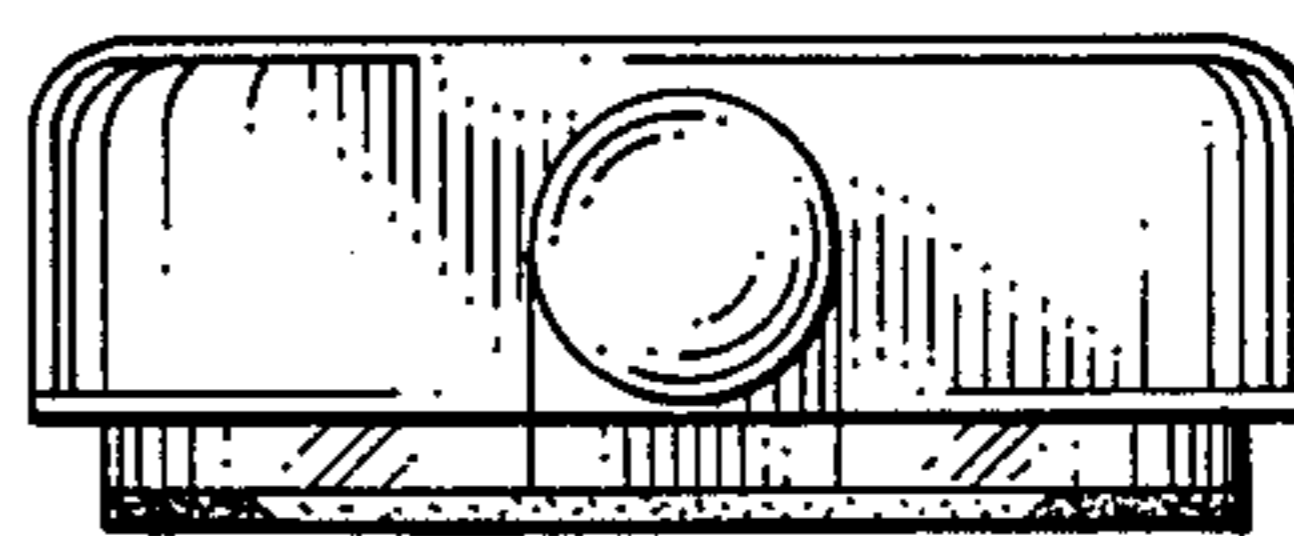


FIG. 5