

[54] **HELICOPTER WINDSHIELD UNIT**

[75] **Inventor: Herman H. Waldrup, Arlington, Tex.**

[73] **Assignee: Heli Plex, Inc., Arlington, Tex.**

[**] **Term: 14 Years**

[21] **Appl. No.: 52,570**

[22] **Filed: May 21, 1987**

[52] **U.S. Cl. D12/345; D12/326**

[58] **Field of Search D12/319, 326, 327, 328,
D12/329, 345; 244/129.3, 17.11; D21/85, 91**

[56] **References Cited**

U.S. PATENT DOCUMENTS

D. 170,247 8/1953 Strong D12/328
3,133,715 5/1964 Grunfelder 244/17.11

Primary Examiner—Wallace R. Burke
Assistant Examiner—Kay H. Chin
Attorney, Agent, or Firm—Charles D. Gunter, Jr.

[57] **CLAIM**

The ornamental design for a helicopter windshield unit, as shown and described.

DESCRIPTION

FIG. 1 is a front, right side perspective view of a helicopter windshield showing my new design;
FIG. 2 is a front, left side perspective view thereof.
The helicopter shown in broken lines is for illustrative purposes only and forms no part of the claimed design.

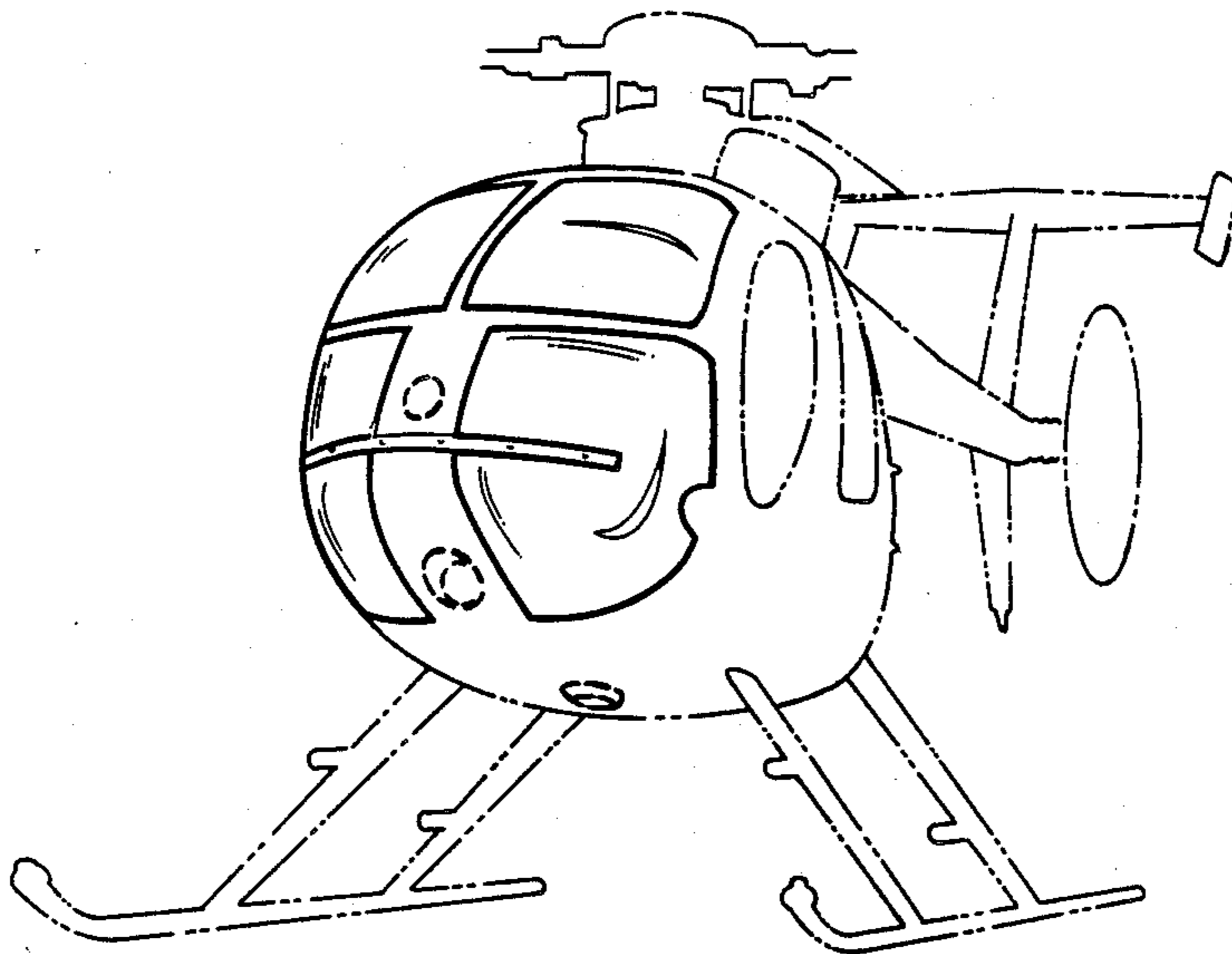


FIG. 1

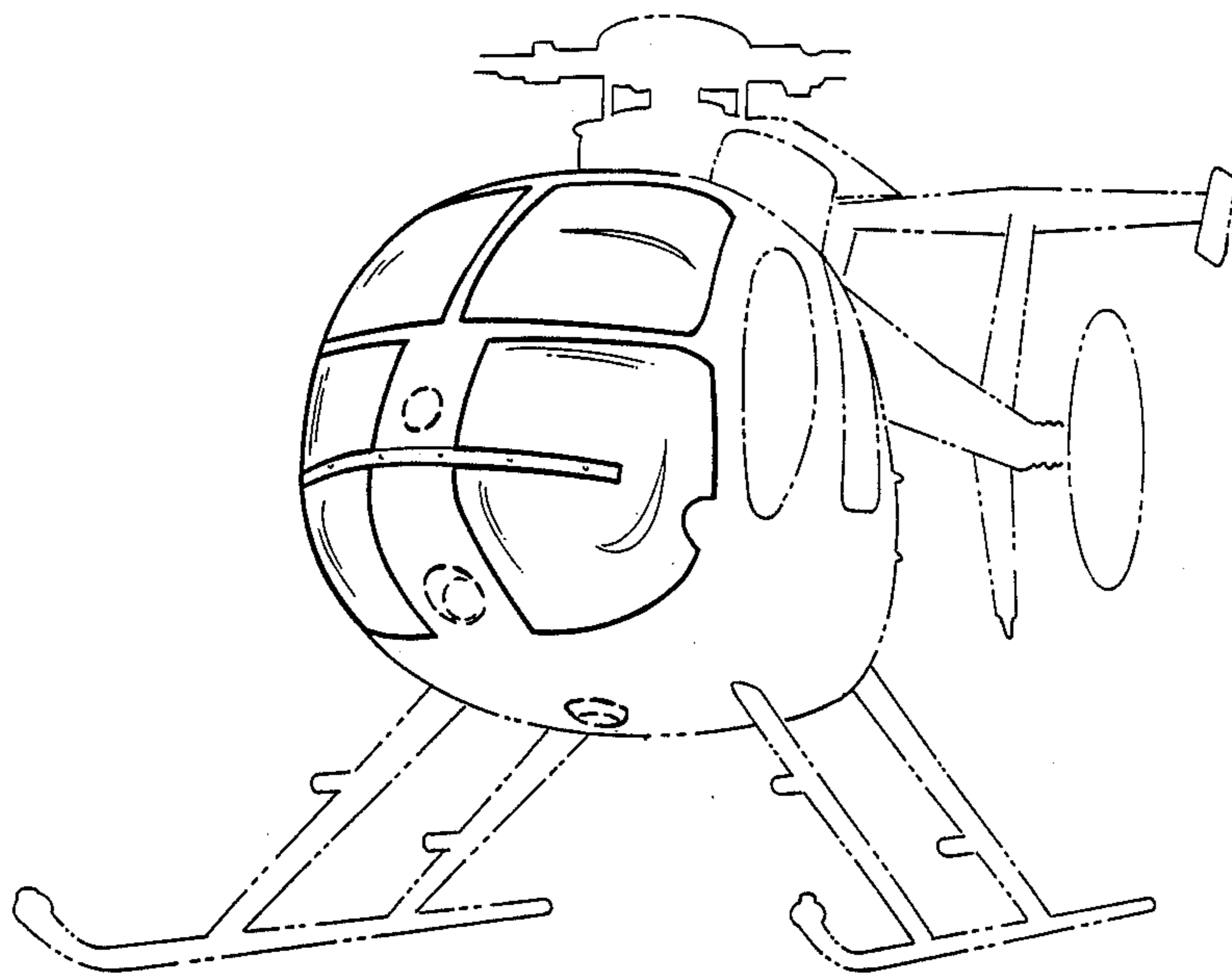


FIG. 2

