

[54] GRILLE CAP FOR A VEHICLE

[75] Inventor: David D. Eash, Columbia, Md.

[73] Assignee: E&G Classics, Inc., Columbia, Md.

[**] Term: 14 Years

[21] Appl. No.: 267,007

[22] Filed: Nov. 4, 1988

[52] U.S. Cl. D12/190

[58] Field of Search D12/190; 296/91, 95 Q, 296/194; 428/31

1985-86 E&G Grille Installation Instructions and Parts List Manual, Illustration #3, p. 5.

1979-81 E&G Eldorado Grille Installation Instructions and Parts List Manual, Illustration #2, p. 3.

Two photographs of an E&G Prior Grille Cap.

Primary Examiner—James M. Gandy
Attorney, Agent, or Firm—Saidman, Sterne, Kessler & Goldstein

[57] CLAIM

The ornamental design for a grille cap for a vehicle, as shown and described.

[56] References Cited

U.S. PATENT DOCUMENTS

D. 160,502	10/1950	King	D12/190
D. 160,552	10/1950	Sheard	D12/190
D. 175,554	9/1955	King et al.	D12/190
D. 272,429	1/1984	Trombley et al.	D12/190

OTHER PUBLICATIONS

J. C. Whitney catalog No. 346, ©1976, p. 51, Buick Century Chrome Grille Crown, upper right side of page.

1987-88 E&G Classic Instruction Manual for Installing the Cadillac Grille, Illustration Step 2.

DESCRIPTION

FIG. 1 is a front perspective view of a grille cap showing my new design;

FIG. 2 is an enlarged rear elevational view thereof;

FIG. 3 is an enlarged left side elevational view thereof;

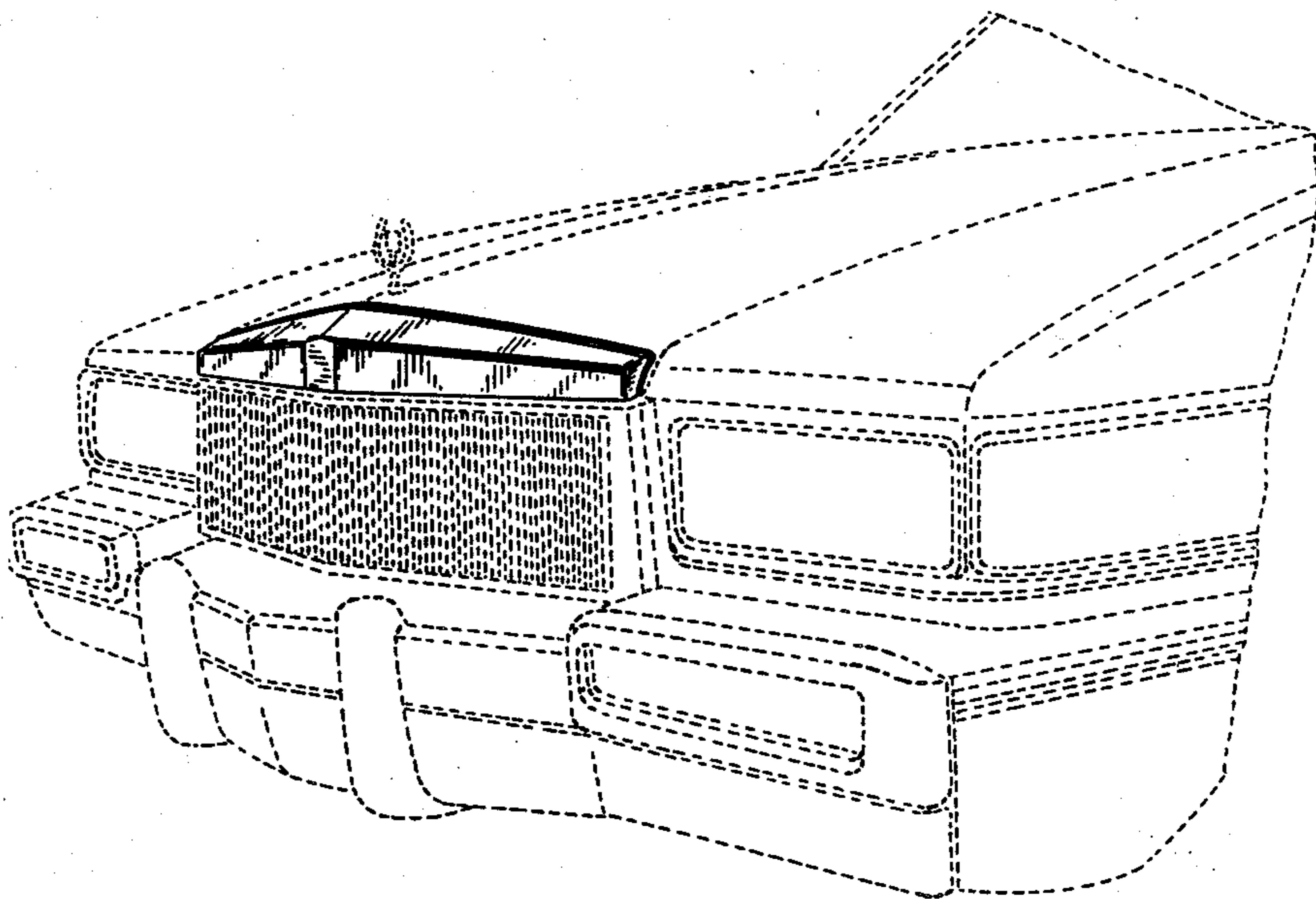
FIG. 4 is an enlarged right side elevational view thereof;

FIG. 5 is an enlarged top plan view thereof;

FIG. 6 is an enlarged bottom plan view thereof;

FIG. 7 is an enlarged sectional view thereof taken along line 7-7 in FIG. 2.

The broken line showing of a vehicle is for illustrative purposes only and forms no part of the claimed design.



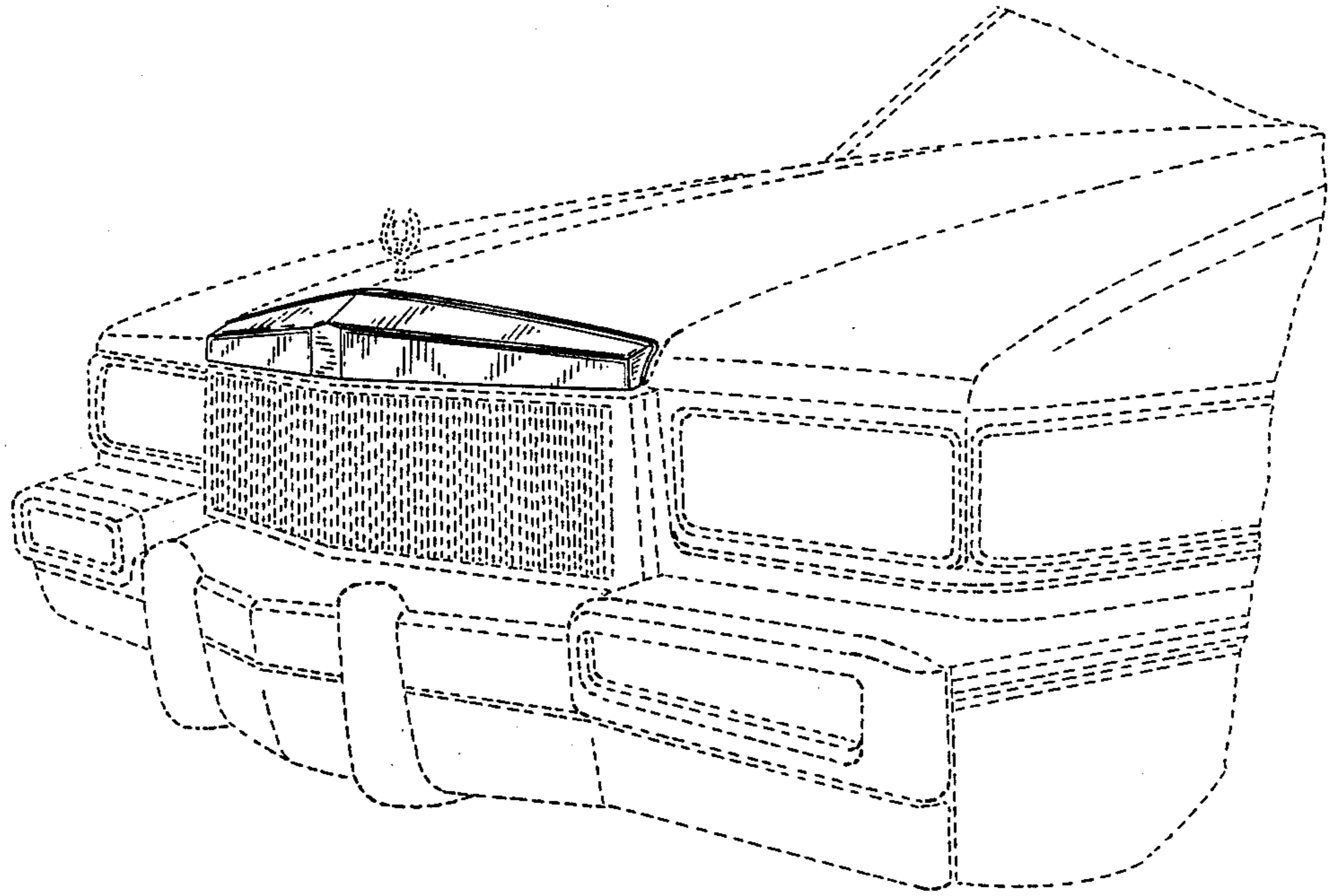


FIG. 1

FIG. 3

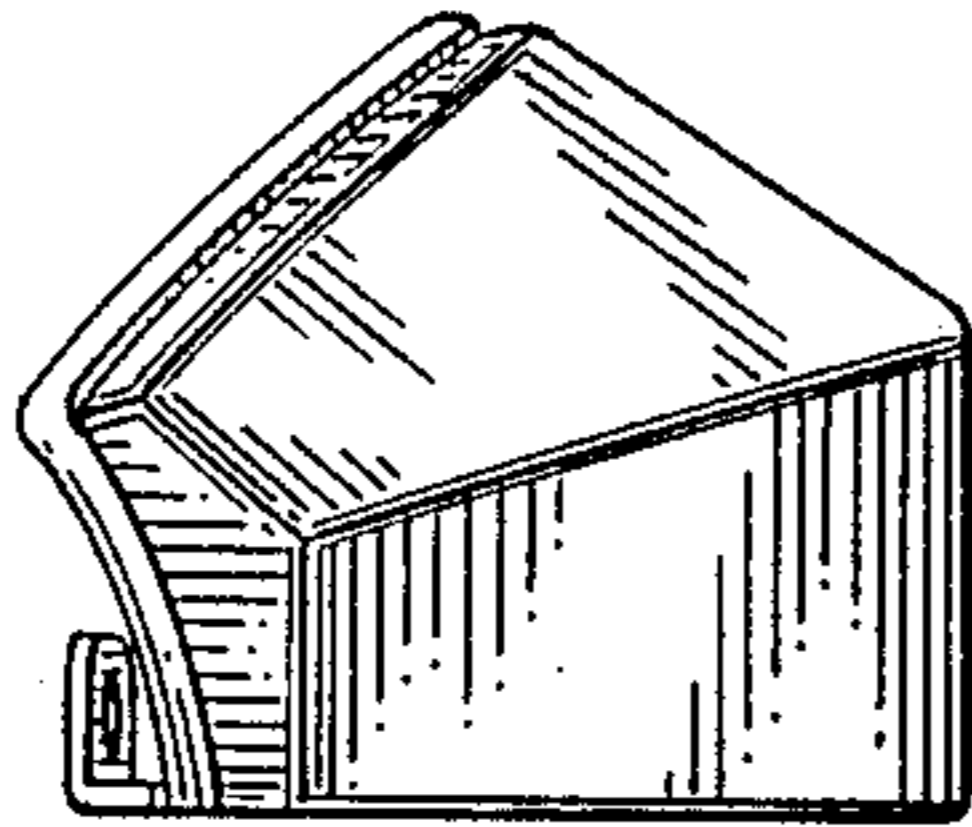


FIG. 4

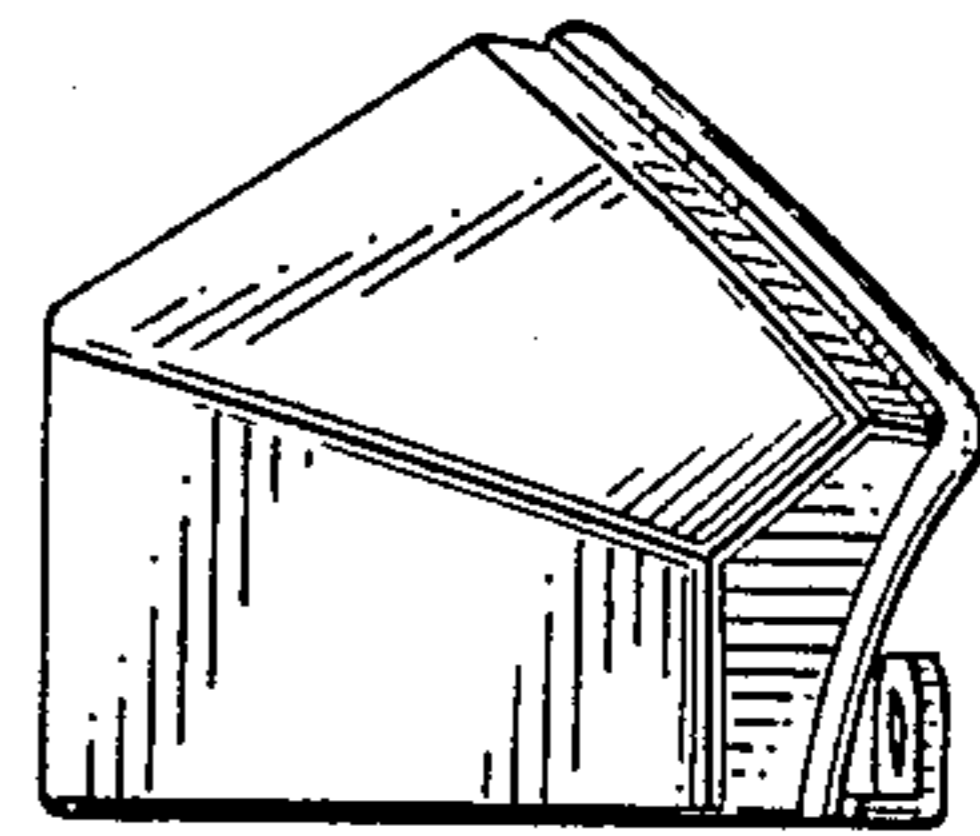


FIG. 7

