

[54] EXPANSION BRACELET

[75] Inventor: Murray L. Cowan, Norwood, Mass.

[73] Assignee: Textron Inc., Providence, R.I.

[**] Term: 14 Years

[21] Appl. No.: 77,405

[22] Filed: Jul. 20, 1987

[52] U.S. Cl. D11/25

[58] Field of Search D11/1, 3, 4, 19, 20,
D11/25, 93-94; 63/1.1, 26; 59/78, 79.1-79.3,
80-82, 84

[56] References Cited

U.S. PATENT DOCUMENTS

- D. 160,358 10/1950 Augenstein D11/25
- 253,587 2/1882 Crane 63/1.1
- 2,826,900 3/1958 Augenstein D11/19

Primary Examiner—B. J. Bullock

Assistant Examiner—R. T. Seifert

Attorney, Agent, or Firm—Samuels, Gauthier, Stevens & Kehoe

[57] CLAIM

The ornamental design for an expansion bracelet, as shown and described.

DESCRIPTION

FIG. 1 is a top plan view of an expansion bracelet showing my new design;

FIG. 2 is a bottom plan view thereof with the central portion removed for ease of illustration;

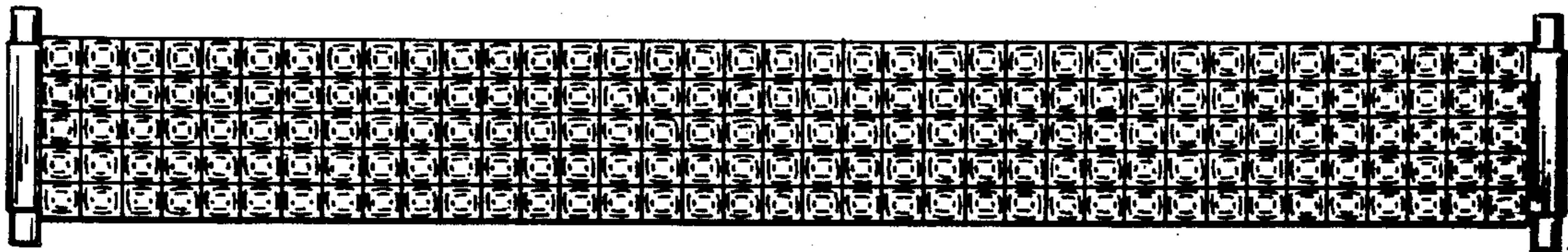
FIG. 3 is a side elevational view thereof;

FIG. 4 is an end view thereof;

FIG. 5 is an enlarged top plan view of an end portion thereof;

FIG. 6 is an enlarged side elevational view of a portion thereof in the expanded condition; and

FIG. 7 is a sectional view taken on line 7-7 of FIG. 6.



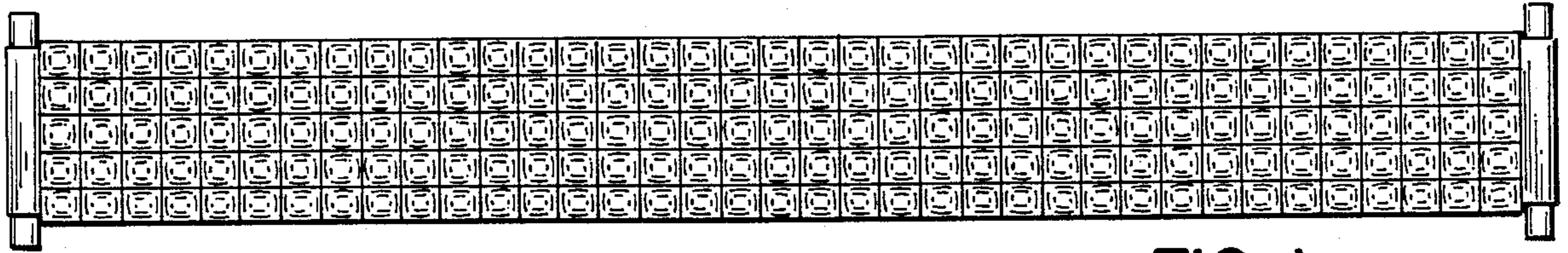


FIG. 1

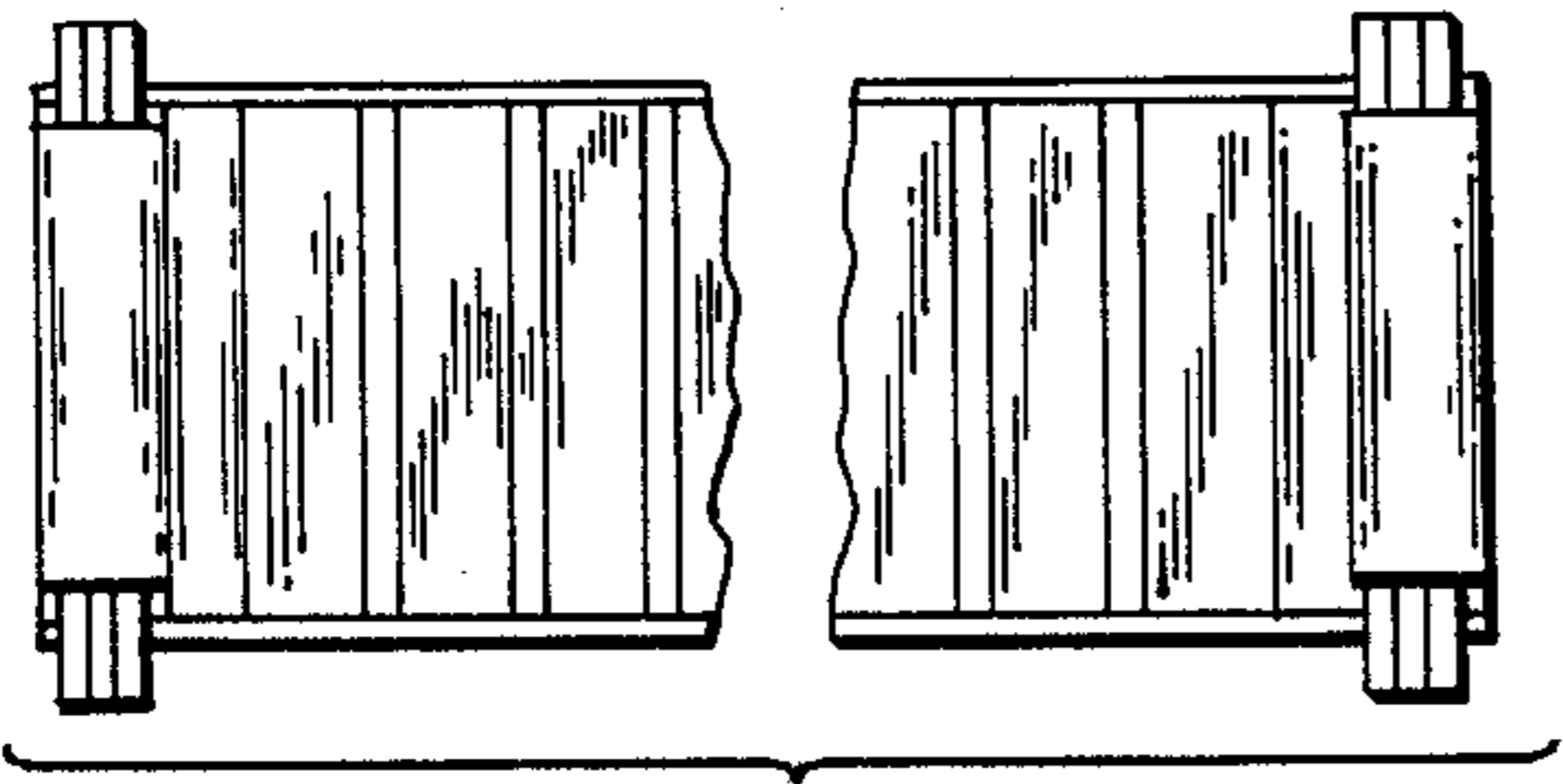


FIG. 2



FIG. 4



FIG. 3

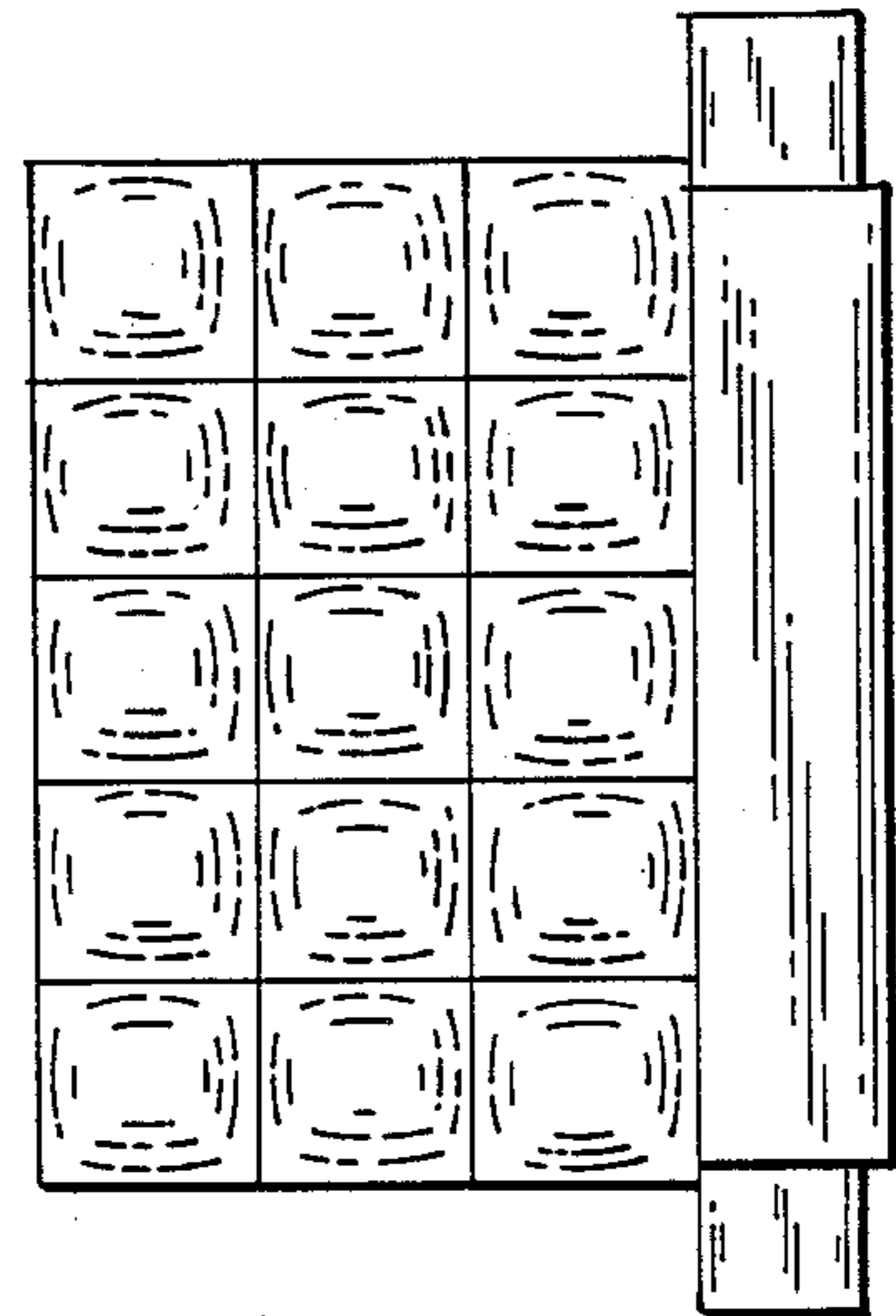


FIG. 5

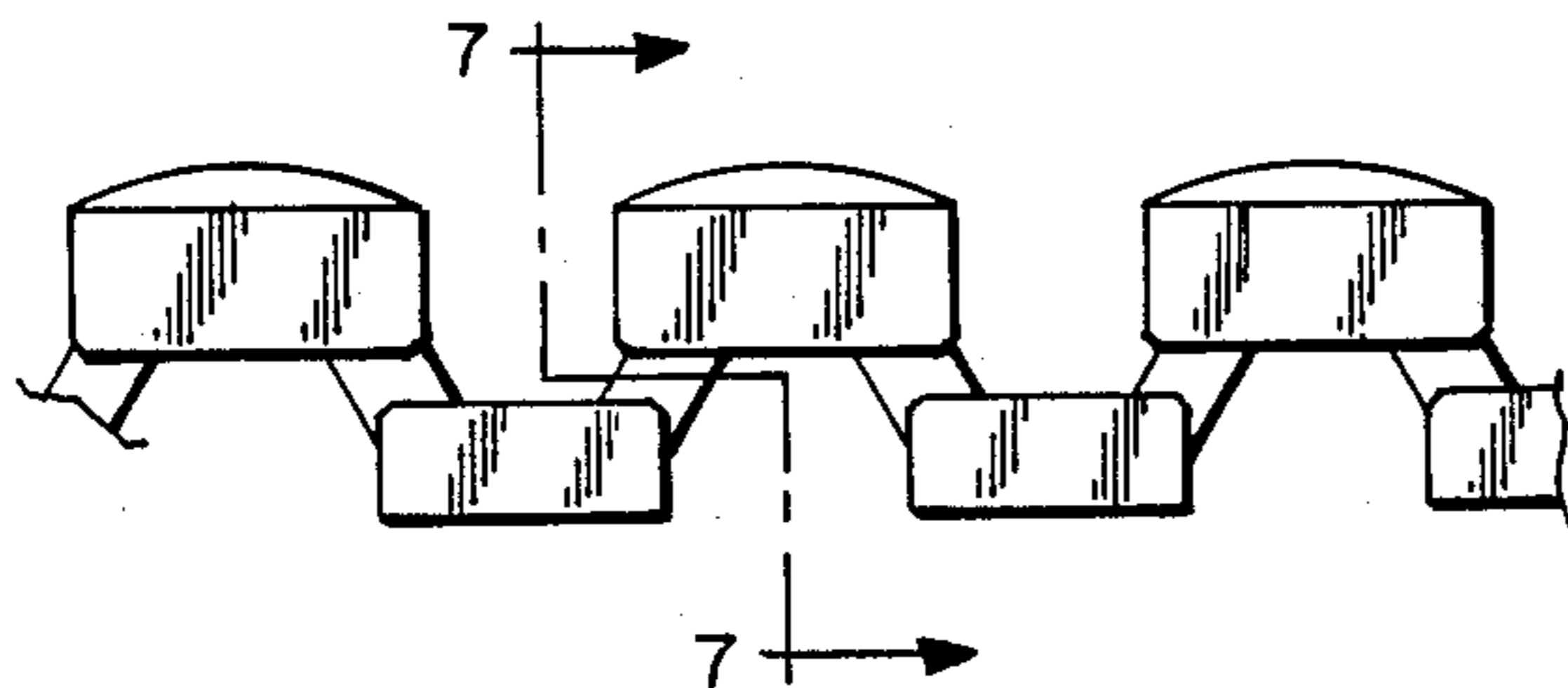


FIG. 6

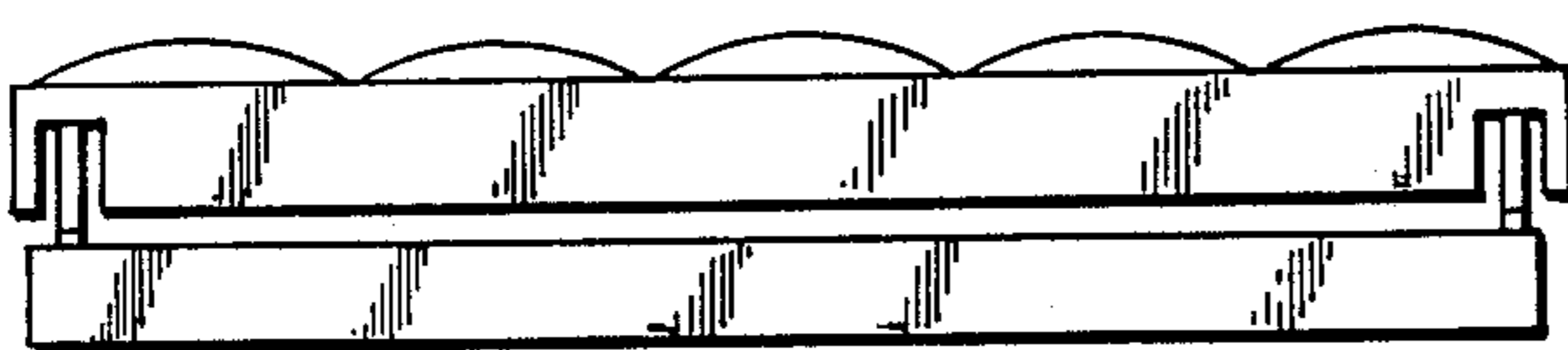


FIG. 7