

[54] **EXPANSION BRACELET**

[75] **Inventor: Murray L. Cowan, Norwood, Mass.**

[73] **Assignee: Textron Inc., Providence, R.I.**

[\*\*] **Term: 14 Years**

[21] **Appl. No.: 77,404**

[22] **Filed: Jul. 20, 1987**

[52] **U.S. Cl. .... D11/25**

[58] **Field of Search ..... D11/1, 3, 4, 19, 20,  
D11/25, 93-94; 63/1.1, 26; 59/78, 79.1-79.3,  
80-82, 84**

[56] **References Cited**

**U.S. PATENT DOCUMENTS**

D. 160,358 10/1950 Augenstein ..... D11/25  
253,587 2/1882 Crane ..... 63/1.1  
2,826,900 3/1958 Augenstein ..... D11/19

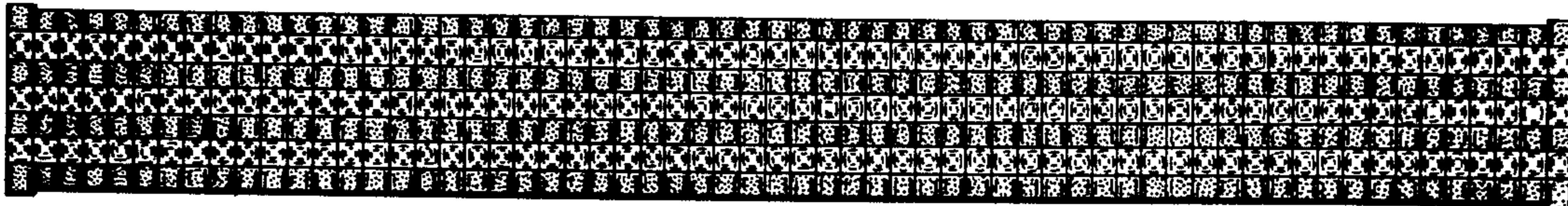
*Primary Examiner*—B. J. Bullock  
*Assistant Examiner*—R. T. Seifert  
*Attorney, Agent, or Firm*—Samuels, Gauthier, Stevens & Kehoe

[57] **CLAIM**

The ornamental design for an expansion bracelet, as shown and described.

**DESCRIPTION**

FIG. 1 is a top plan view of an expansion bracelet showing my new design;  
FIG. 2 is a bottom plan view thereof with the central portion removed for ease of illustration;  
FIG. 3 is a side elevational view thereof;  
FIG. 4 is an end view thereof;  
FIG. 5 is an enlarged top plan view of an end portion thereof;  
FIG. 6 is an enlarged side elevational view of a portion thereof in the expanded condition; and  
FIG. 7 is a sectional view taken on line 7-7 of FIG. 6.



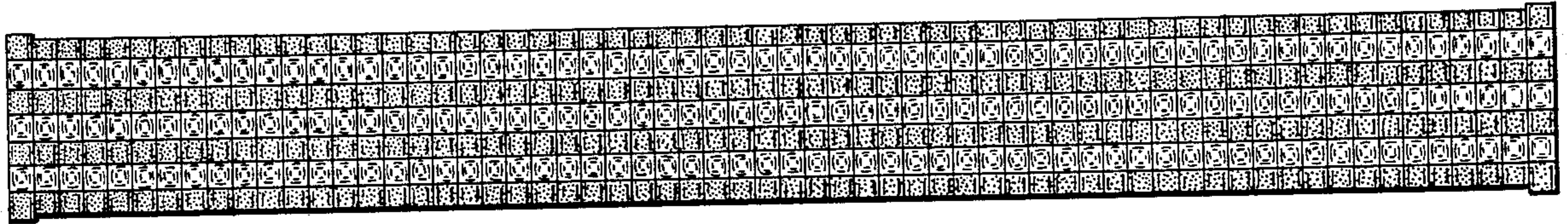


FIG. 1

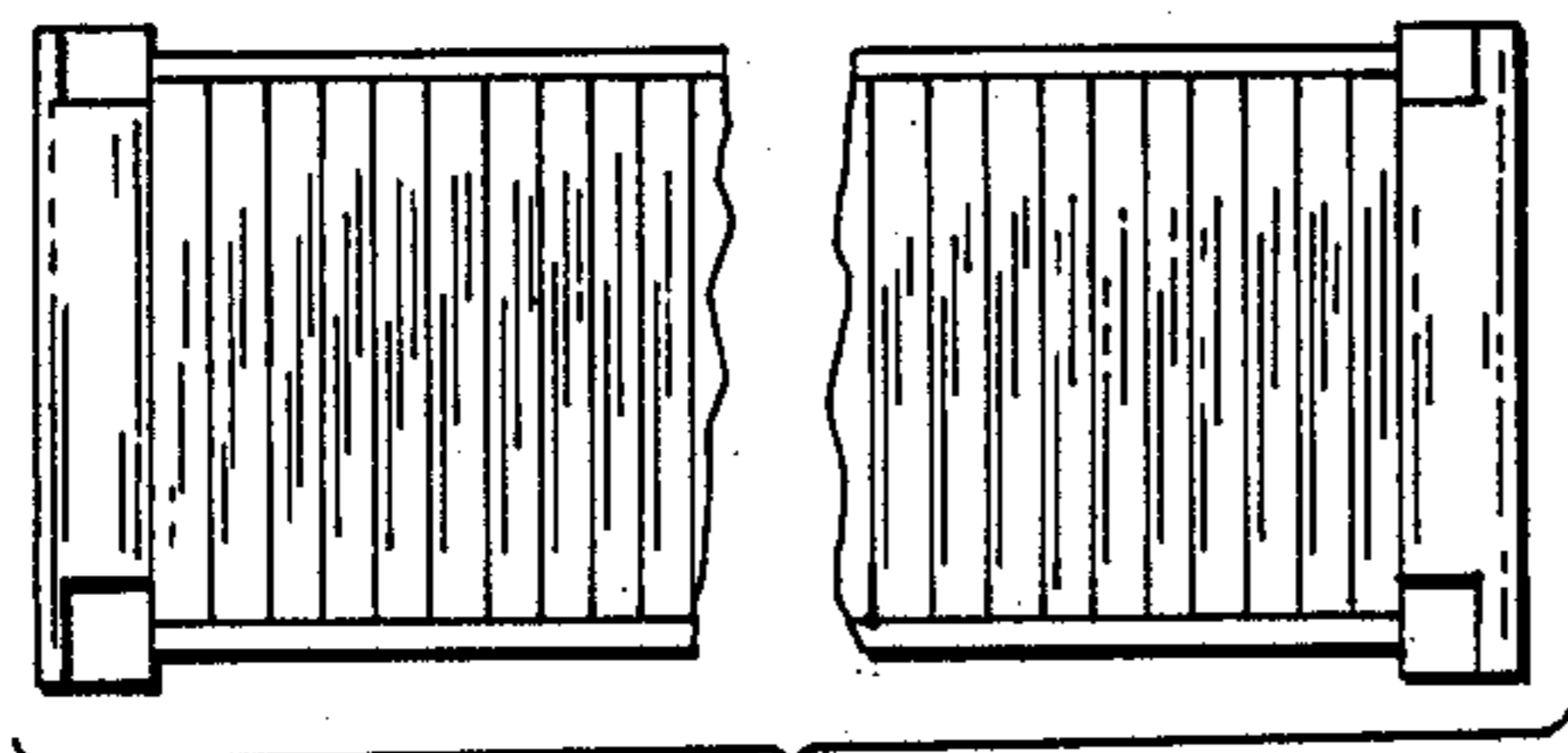


FIG. 2



FIG. 4



FIG. 3

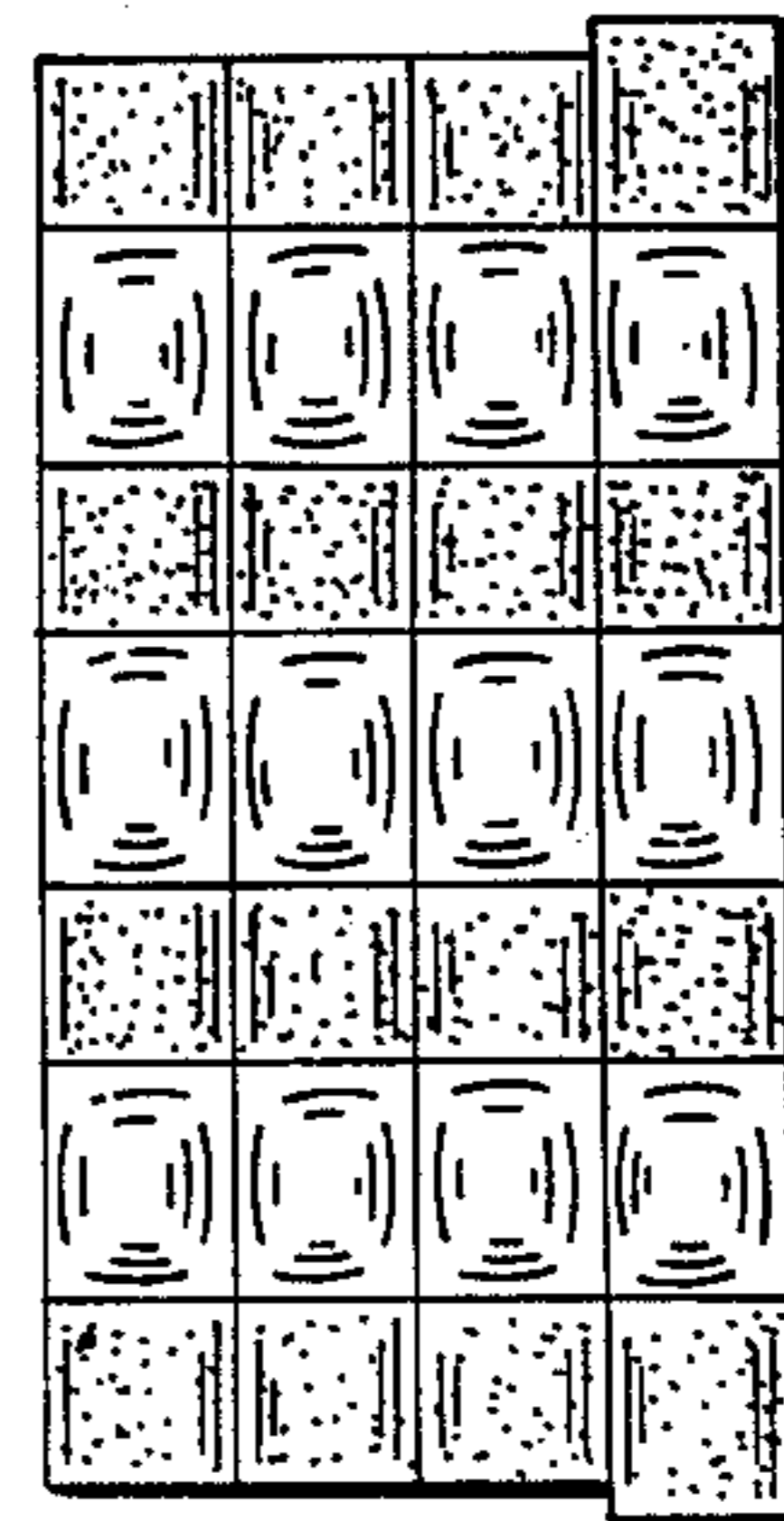


FIG. 5

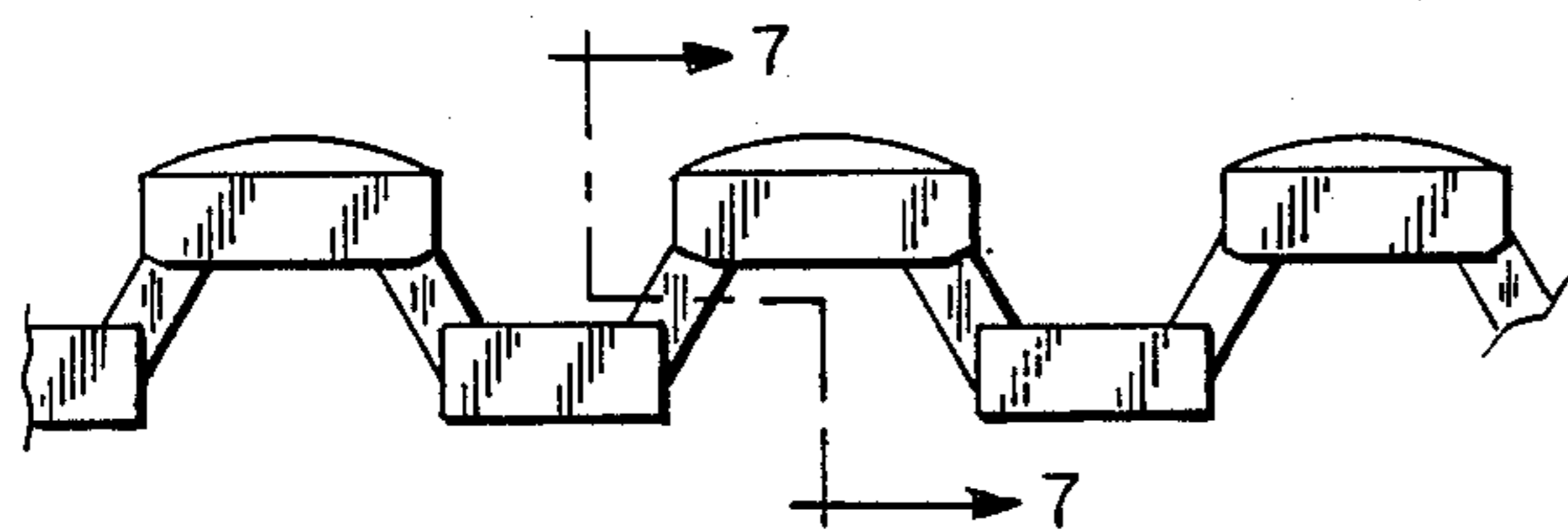


FIG. 6

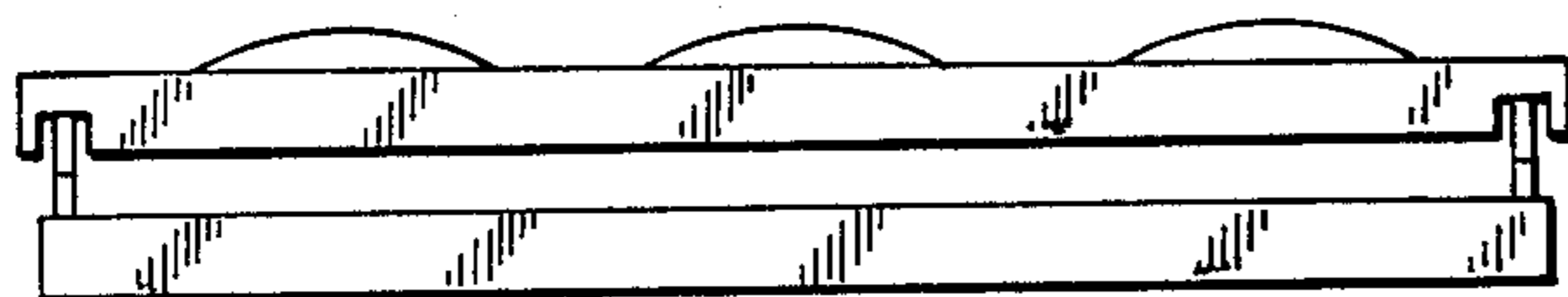


FIG. 7