

[54] **BATTERY TESTER**

[76] **Inventor: Donald C. Bergstedt, 2043 Magnolia Ave., Petaluma, Calif. 94952**

[\*\*] **Term: 14 Years**

[21] **Appl. No.: 889,261**

[22] **Filed: Jul. 25, 1986**

[52] **U.S. Cl. .... D10/77**

[58] **Field of Search ..... D10/77; 324/437, 426**

[56] **References Cited**

**U.S. PATENT DOCUMENTS**

3,454,873 7/1969 Abrahams ..... 324/437  
4,360,780 11/1982 Skutch ..... 324/437

**FOREIGN PATENT DOCUMENTS**

2514147 4/1983 France ..... 324/426

**OTHER PUBLICATIONS**

*Radio Control Modeling*-5/86. p. 116.

*Primary Examiner*—Nelson C. Holtje  
*Attorney, Agent, or Firm*—Andrew Steiner

[57] **CLAIM**

The ornamental design for a battery tester, as shown and described.

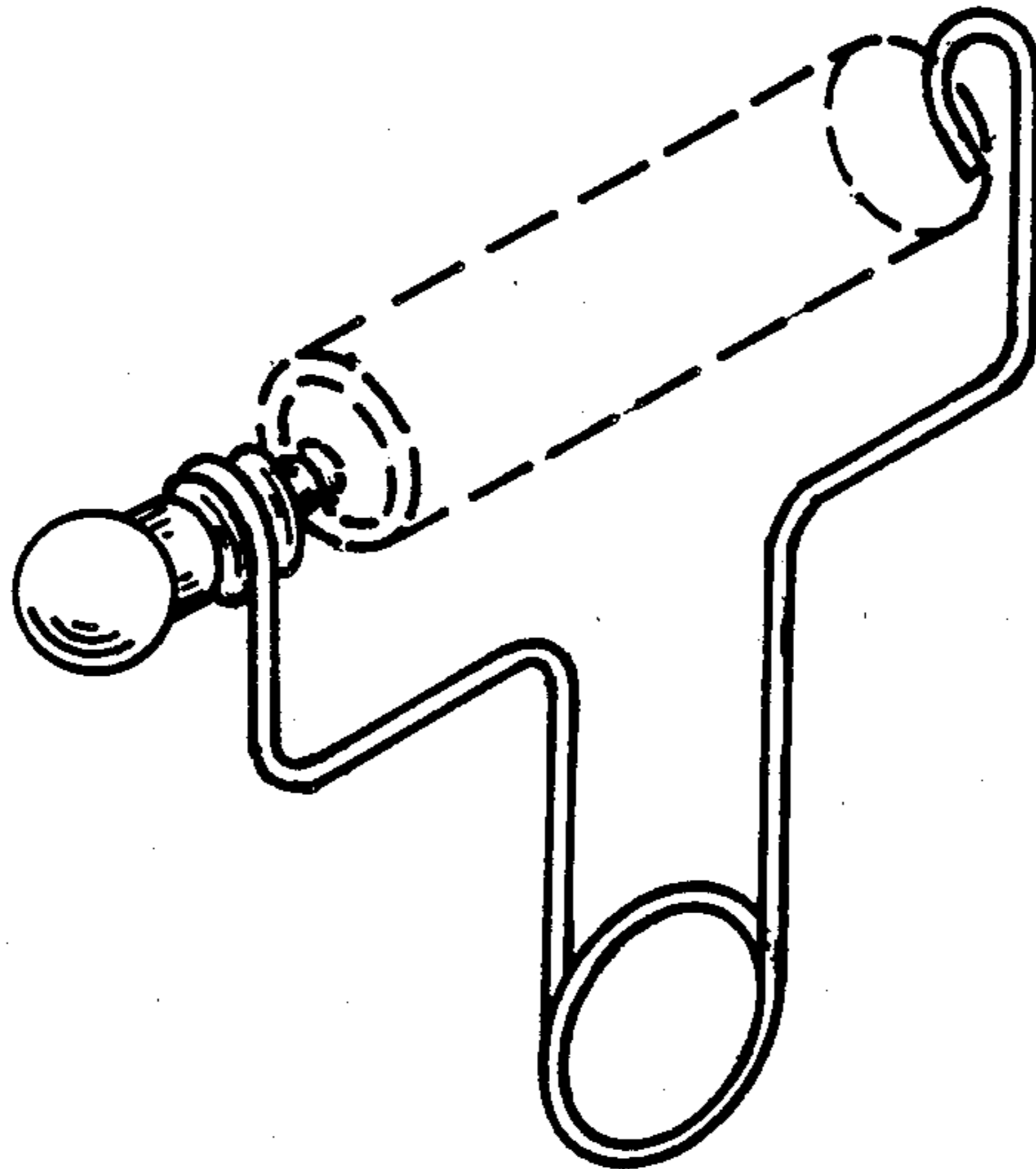
**DESCRIPTION**

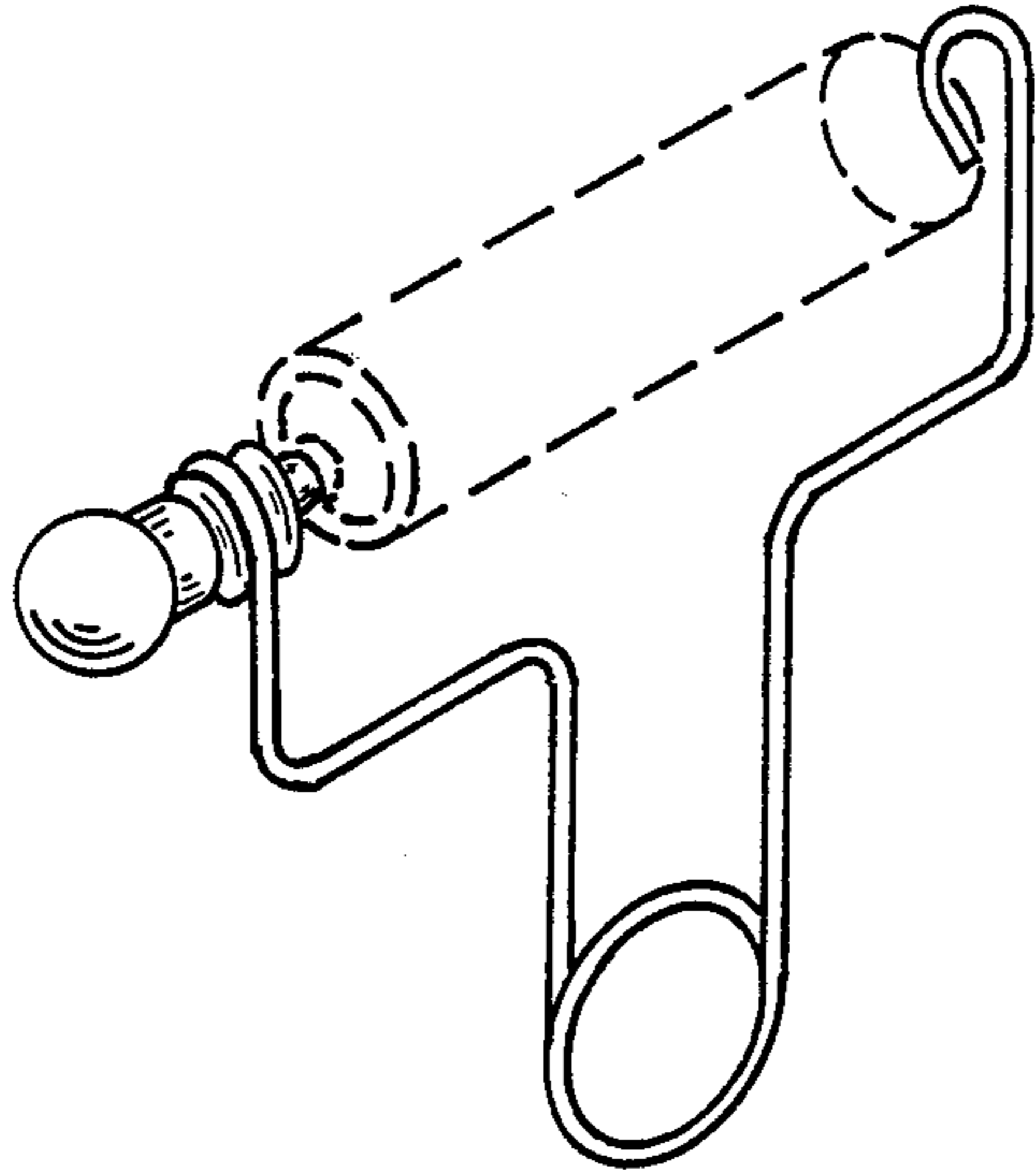
FIG. 1 is a front perspective view of a battery tester showing my new design;

FIG. 2 is a front elevational design thereof;

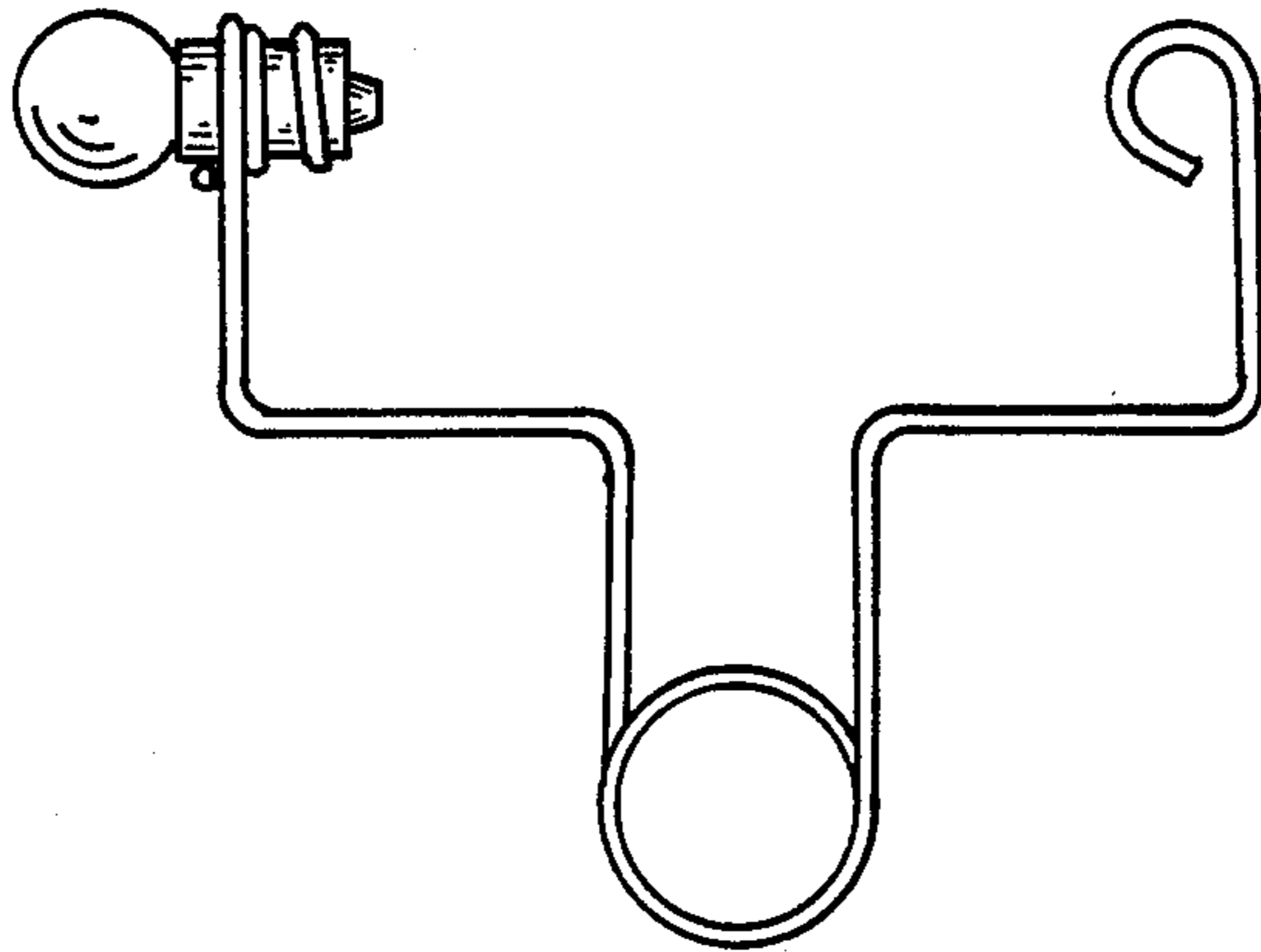
FIG. 3 is a rear elevational view thereof.

The broken-line showing of a battery in FIG. 1 is environmental only and forms no part of the claimed design.

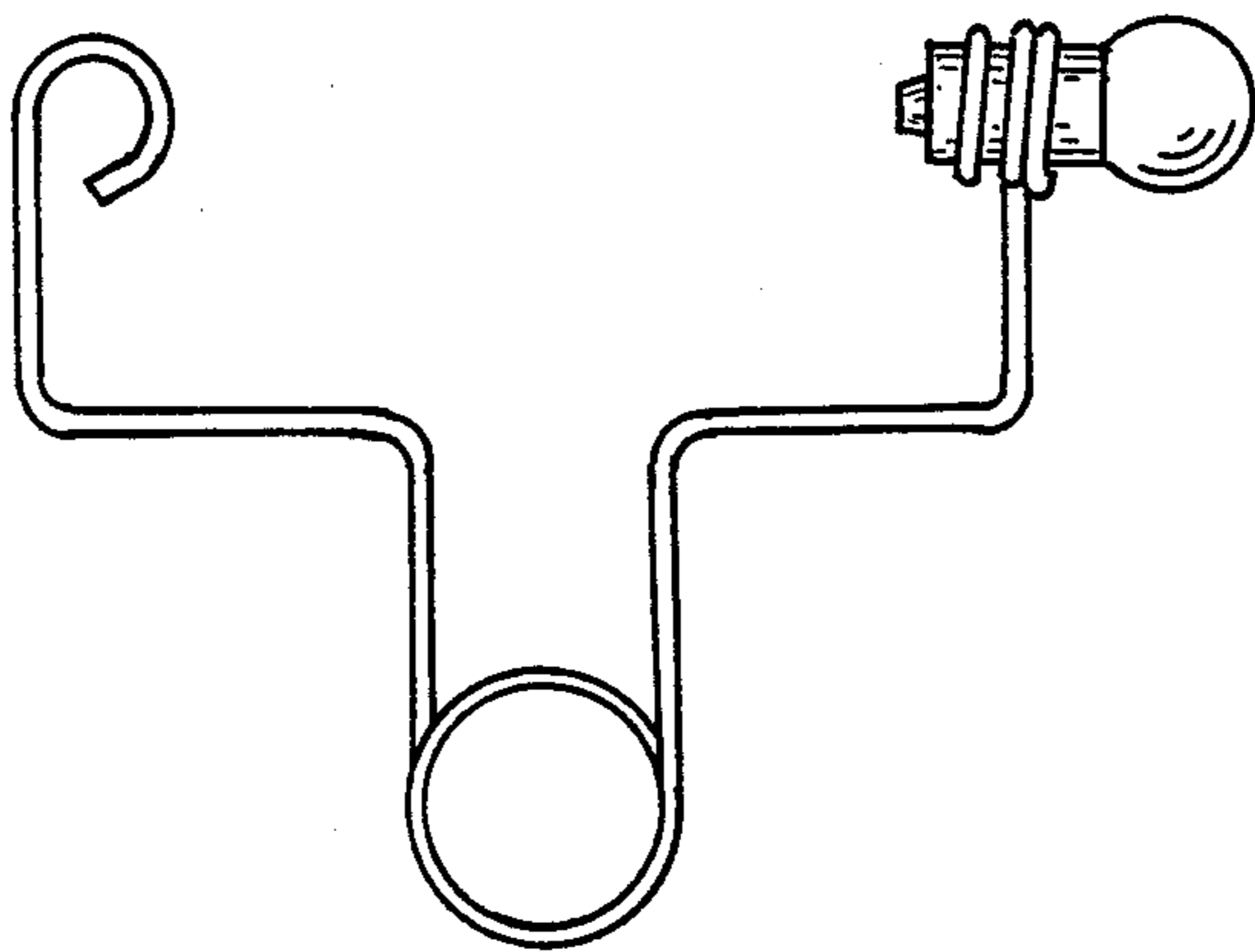




**FIG. 1**



**FIG. 2**



**FIG. 3**