

[54] **PLATFORM CONTAINER WITH
TRANSPARENT LID**

[75] **Inventor: Robert D. Holewinski, Lakehurst,
N.J.**

[73] **Assignee: Johnson & Johnson Consumer
Products, Inc., New Brunswick, N.J.**

[**] **Term: 14 Years**

[21] **Appl. No.: 842,047**

[22] **Filed: Mar. 10, 1986**

[52] **U.S. Cl. D9/347; D9/414**

[58] **Field of Search D7/38; D3/74, 30.1;
D9/341, 345, 347, 415; D6/470, 471; D19/77,
92, 78, 79; 206/371, 460, 461, 495, 557, 558,
561, 562, 563**

[56] **References Cited**

U.S. PATENT DOCUMENTS

D. 280,741 9/1985 Chatham D9/347
D. 288,234 2/1987 Blatherwick et al. D24/31

D. 288,482 2/1987 Blatherwick et al. D24/31

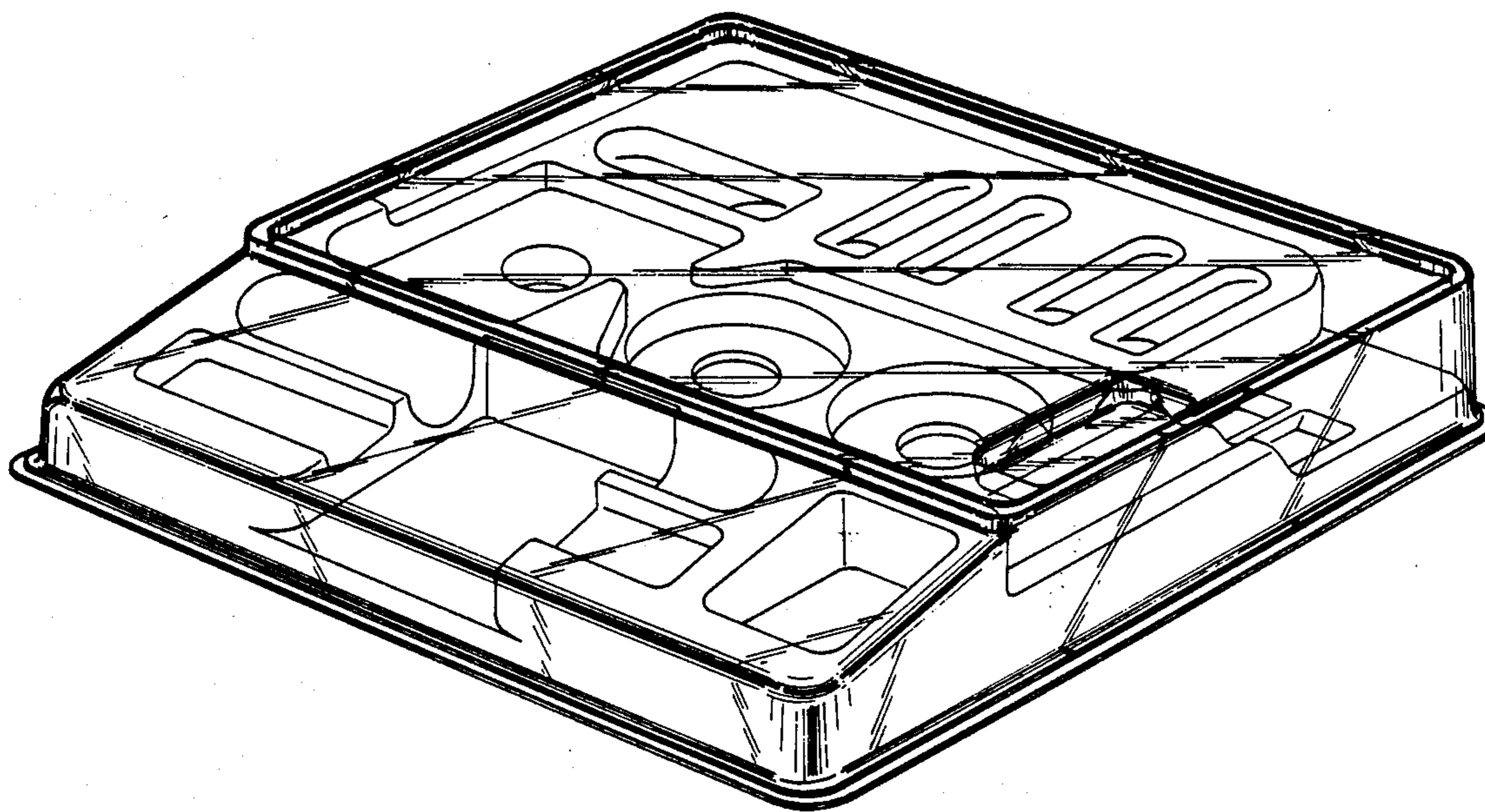
Primary Examiner—Louis S. Zarfes
Assistant Examiner—R. T. Seifert

[57] **CLAIM**

The ornamental design for a platform container with transparent lid, as shown and described.

DESCRIPTION

FIG. 1 is a perspective view of a platform container with transparent lid showing my new design;
FIG. 2 is a top plan view thereof;
FIG. 3 is a front elevational view thereof;
FIG. 4 is a side elevational view thereof;
FIG. 5 is a side elevational view of the other side thereof;
FIG. 6 is a rear elevational view thereof;
FIG. 7 is a bottom plan view thereof; and,
FIG. 8 is a perspective view of the platform with part resting on the lid. The broken line showing of articles in FIG. 8 is for illustrative purposes only and forms no part of the claimed design.



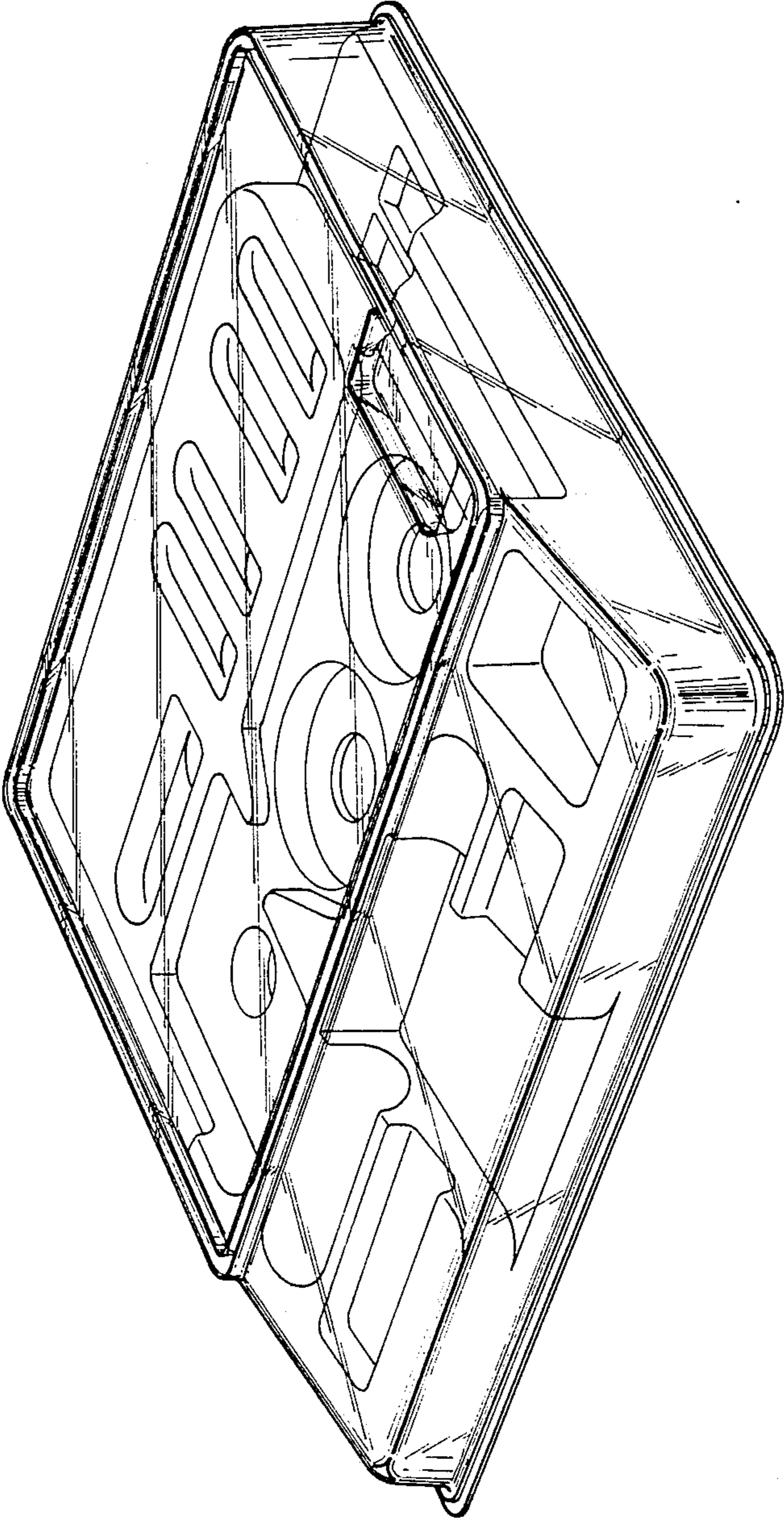


FIG-1

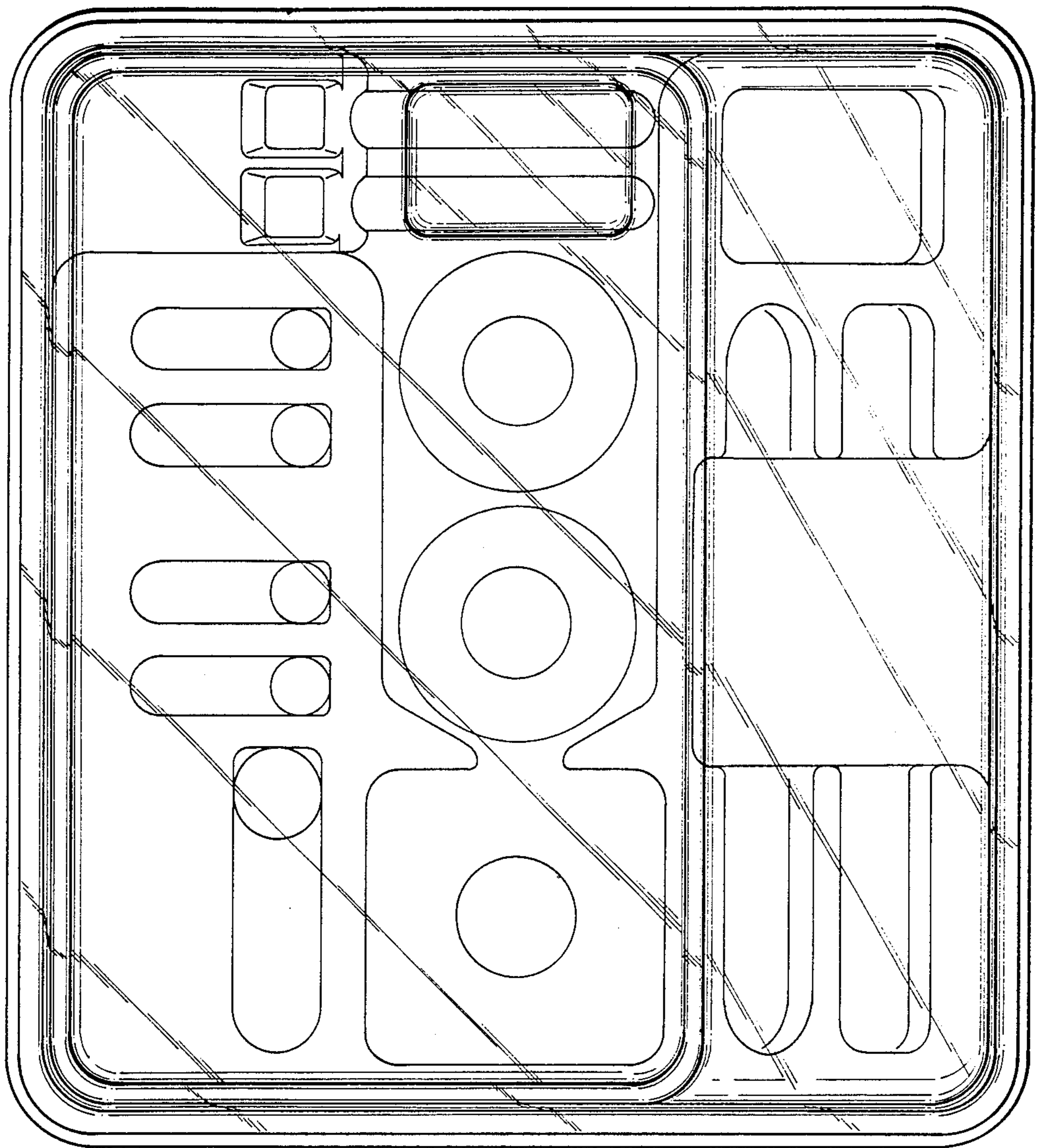


FIG-2

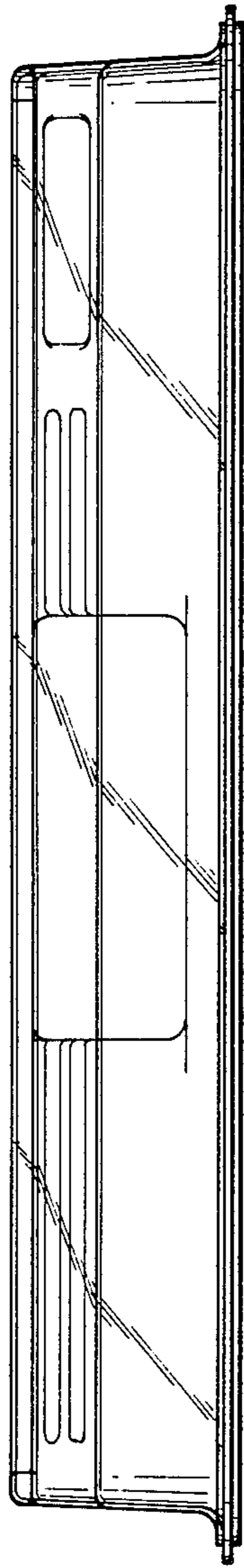


FIG-3

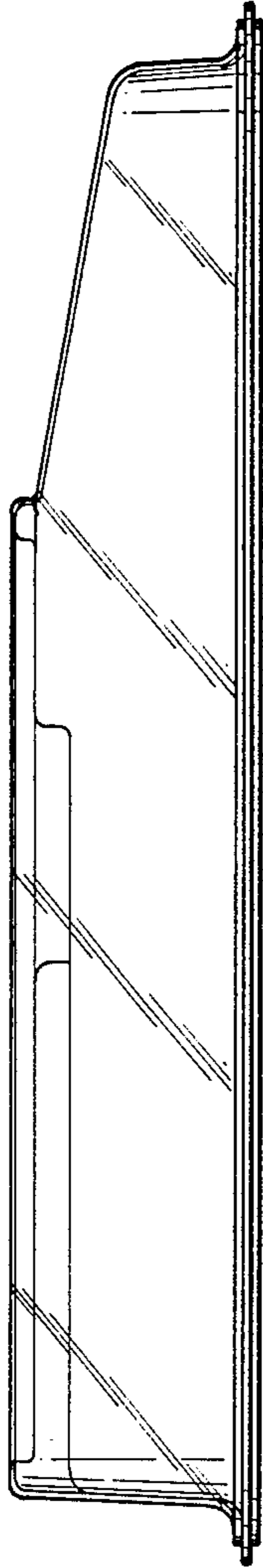


FIG-4

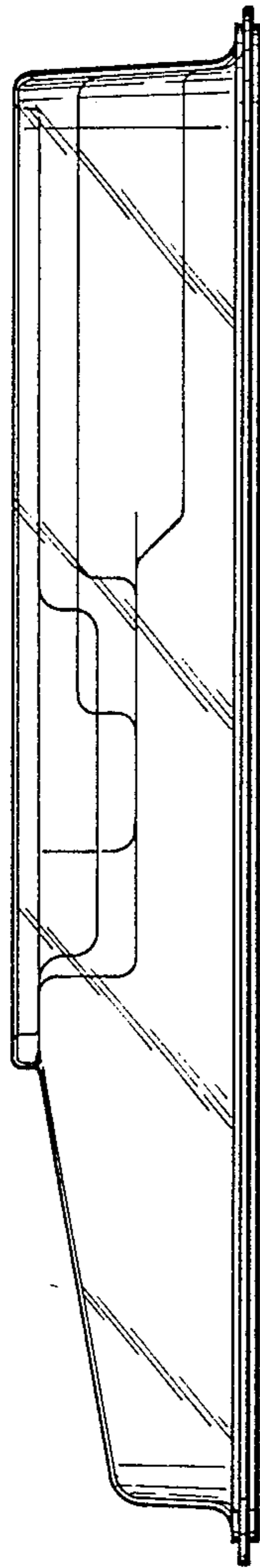


FIG-5

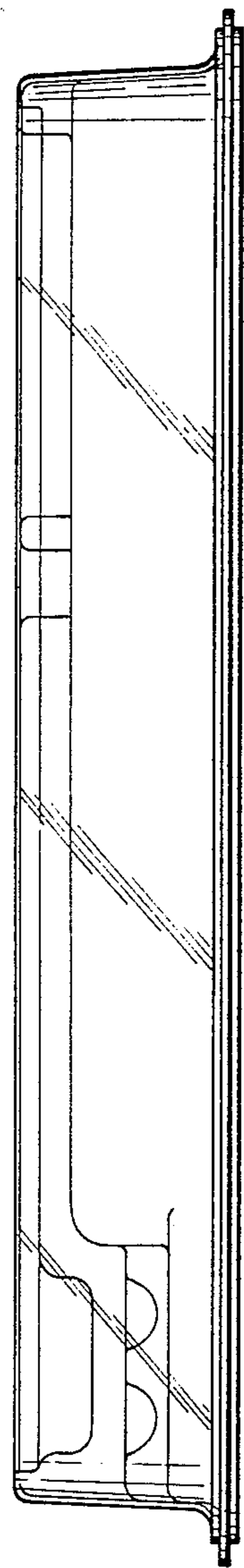


FIG-6

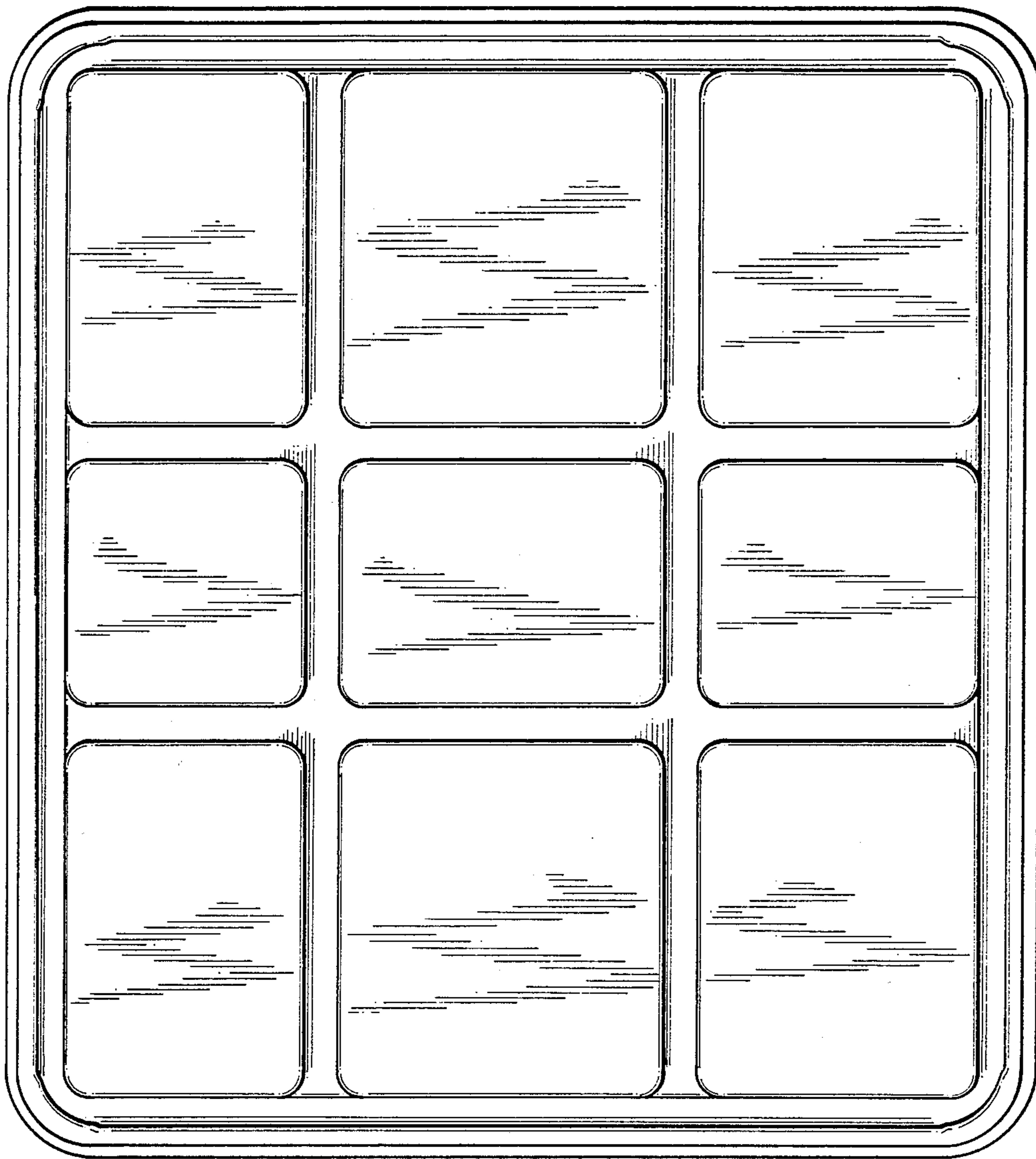


FIG-7

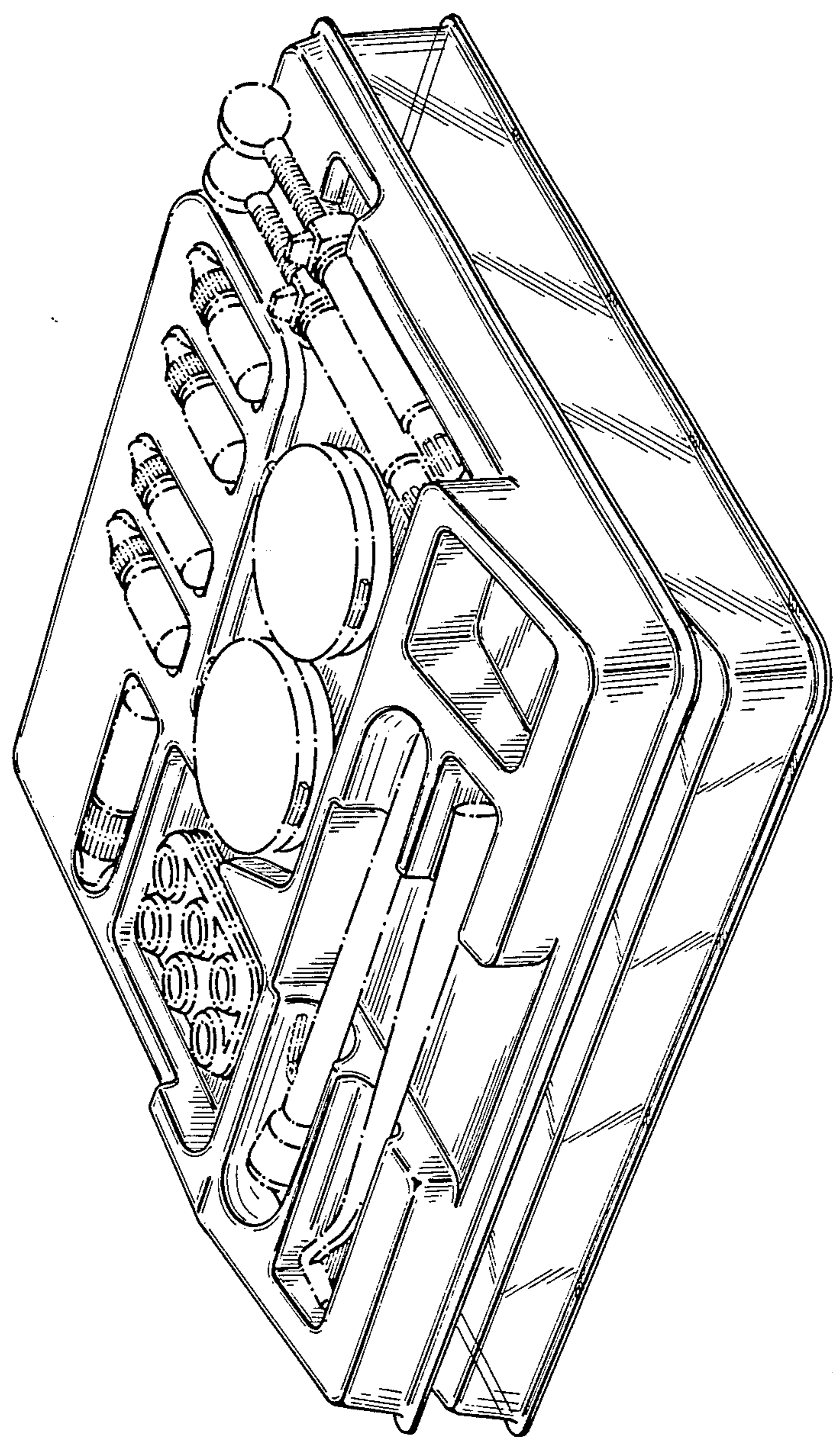


FIG-8