

[54] EXTENSION TUBE CLIP

[75] Inventor: Gary J. Holdaway, North Rocks, Australia

[73] Assignee: Hawker Pacific Pty. Limited, North Rocks, Australia

[\*\*] Term: 14 Years

[21] Appl. No.: 862,600

[22] Filed: May 12, 1986

[30] Foreign Application Priority Data

Nov. 15, 1985 [AU] Australia ..... 3250/85

[52] U.S. Cl. .... D8/373; D8/396; 248/312.1

[58] Field of Search ..... D8/373, 396, 394, 395; 248/312.1, 311.2, 215

[56] References Cited

U.S. PATENT DOCUMENTS

- D. 210,098 2/1968 Marik ..... D8/394
- D. 245,755 9/1977 Lewis ..... D8/396 X
- D. 259,393 6/1981 Kuru ..... D8/395 X
- D. 270,329 8/1983 Hardy ..... D8/395
- D. 276,212 11/1984 Villanueva ..... D8/396 X
- D. 297,112 8/1988 Holdaway ..... D8/395
- 2,017,319 10/1935 McMullen ..... 248/312.1

- 2,681,196 6/1954 Lind ..... D8/396 X
- 3,021,106 2/1962 Kramer ..... 248/311.2 X
- 3,253,786 5/1966 Parmalee ..... 248/311.2 X
- 3,314,635 4/1967 Frye ..... D8/396 X
- 3,490,726 1/1970 Mills ..... 248/312.1 X
- 4,071,218 1/1978 Pecka et al. .... 248/312.1 X
- 4,085,867 4/1978 Heller ..... 248/215 X
- 4,159,601 7/1979 Elaert et al. .... 248/243 X
- 4,325,484 4/1982 Berry ..... D8/373 X
- 4,418,883 12/1983 Cohen ..... 248/312.1

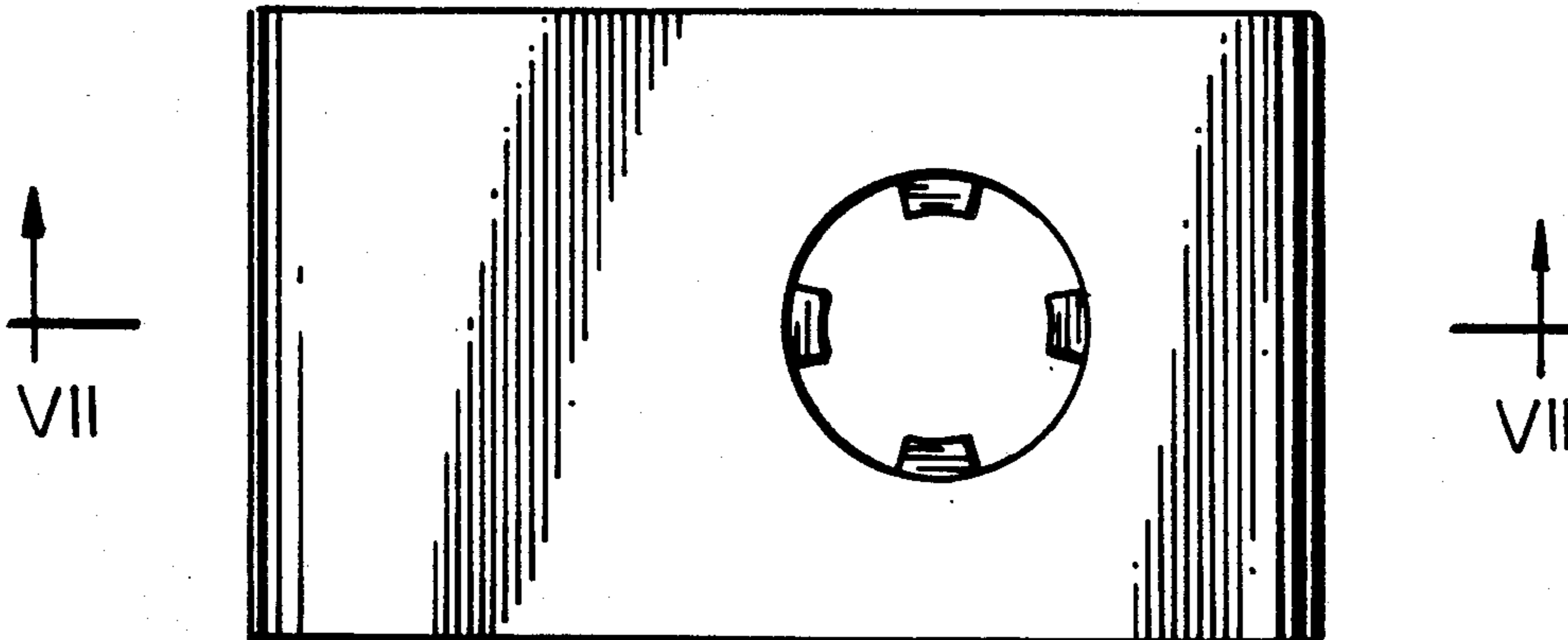
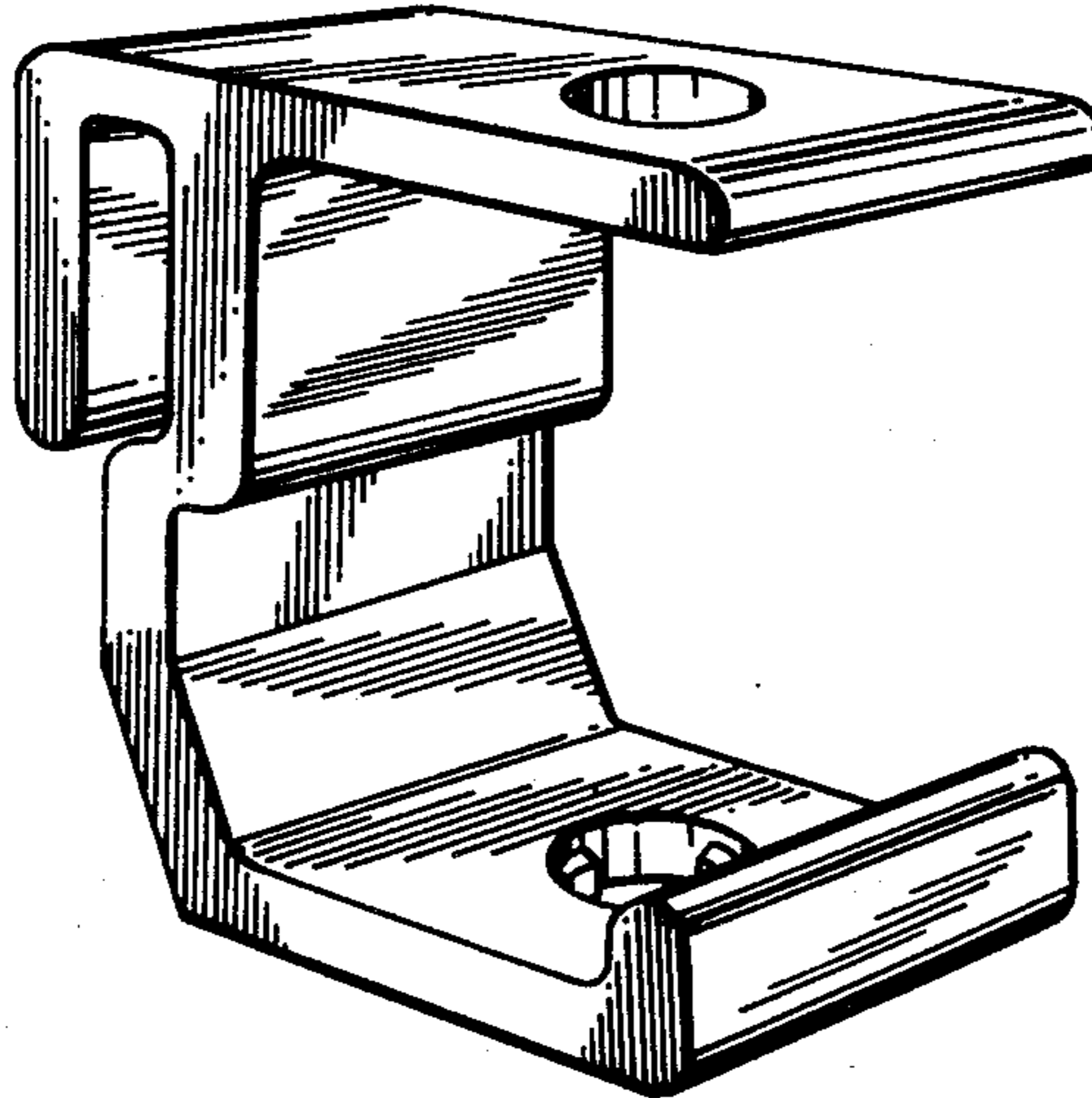
Primary Examiner—Horace B. Fay, Jr.  
Attorney, Agent, or Firm—Ladas & Parry

[57] CLAIM

The ornamental design for extension tube clip, as shown and described.

DESCRIPTION

FIG. 1 is a side, top and front perspective view of an extension tube clip showing my new design;  
 FIG. 2 is a left side elevational view thereof, the side opposite being a mirror image;  
 FIGS. 3 and 4 are respectively top and bottom plan views thereof;  
 FIGS. 5 and 6 are respectively front and rear elevational views thereof; and  
 FIG. 7 is a sectional view of FIG. 3 showing more clearly internal details of the clip.



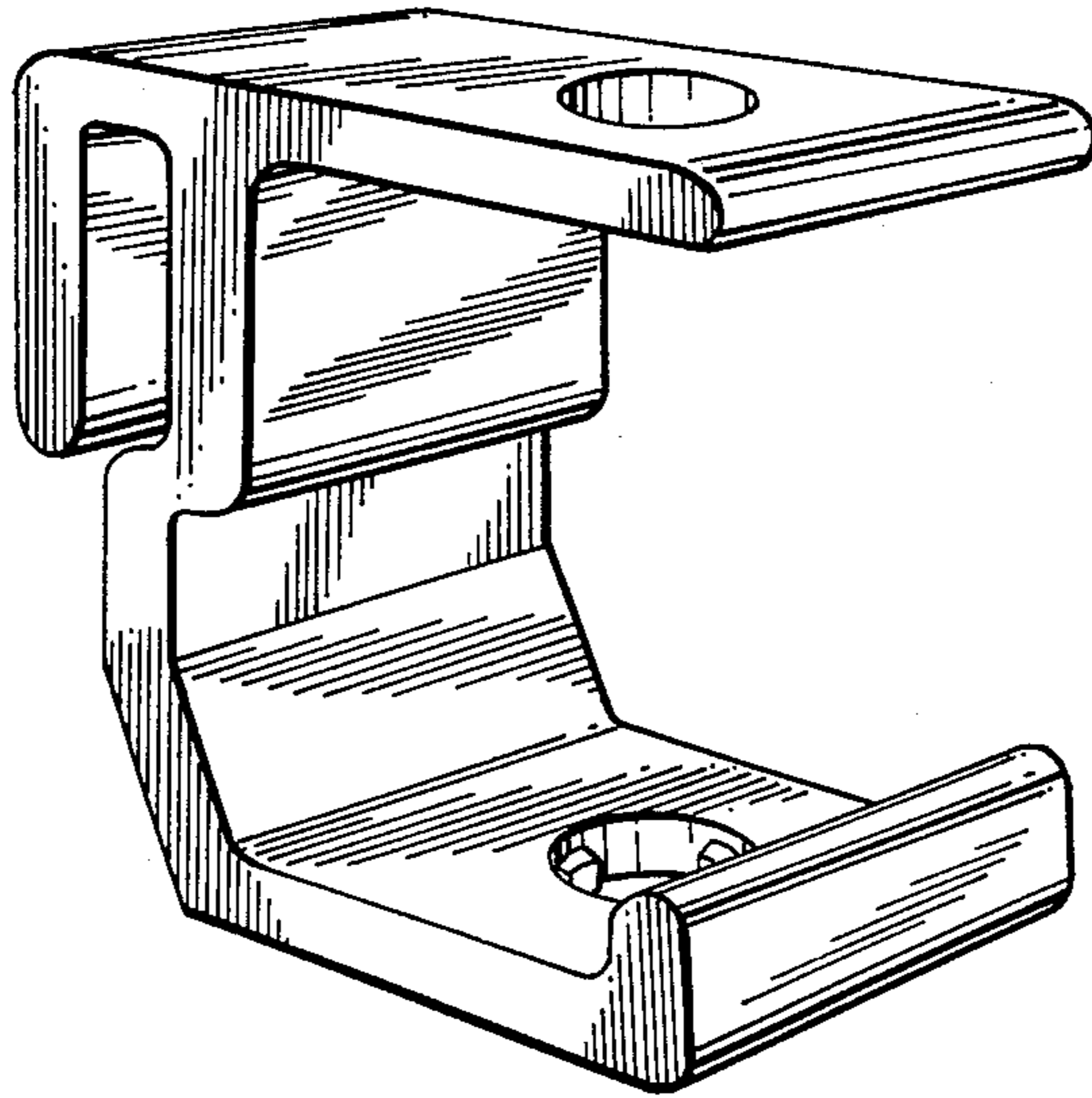


FIG. 1

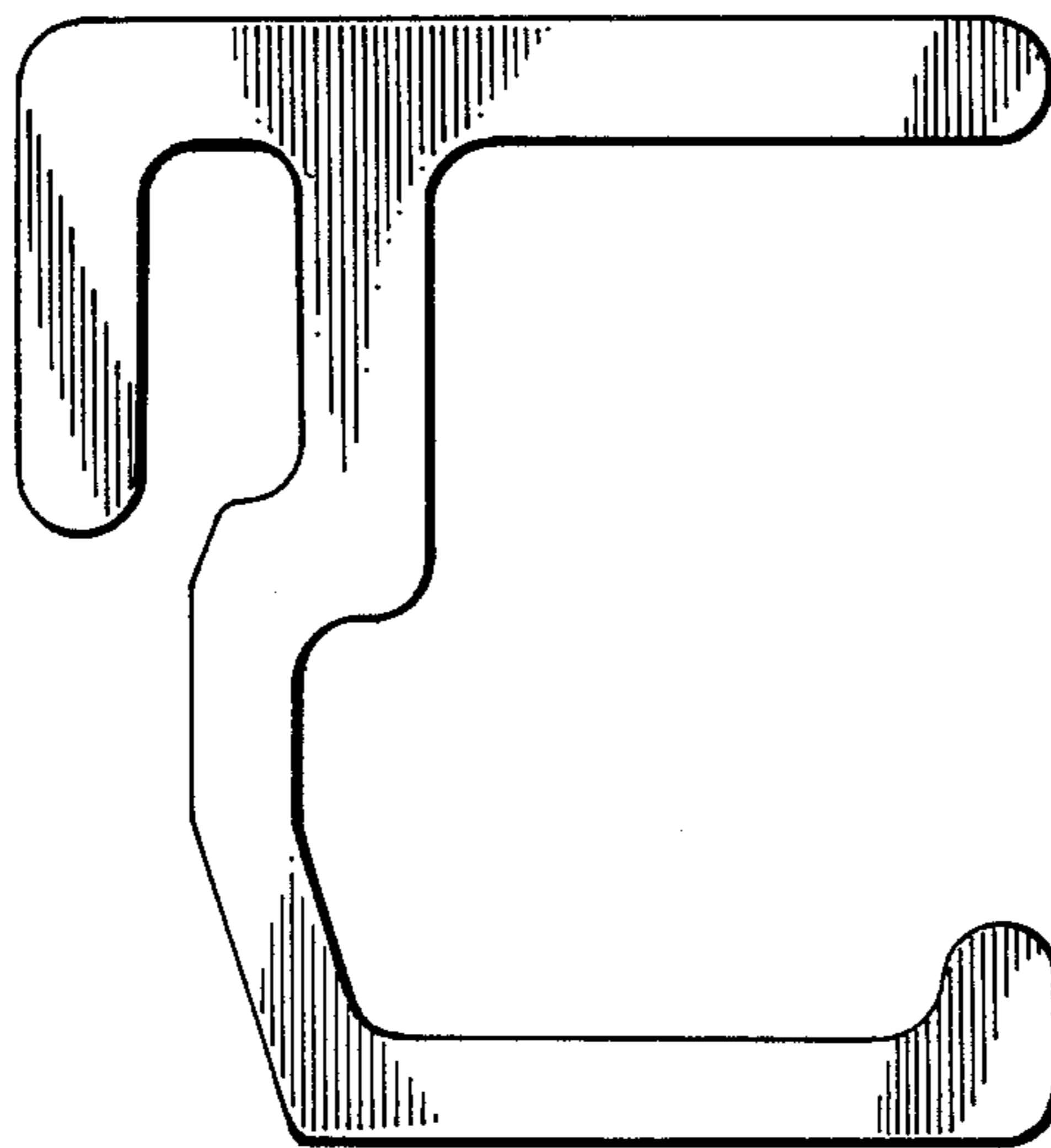
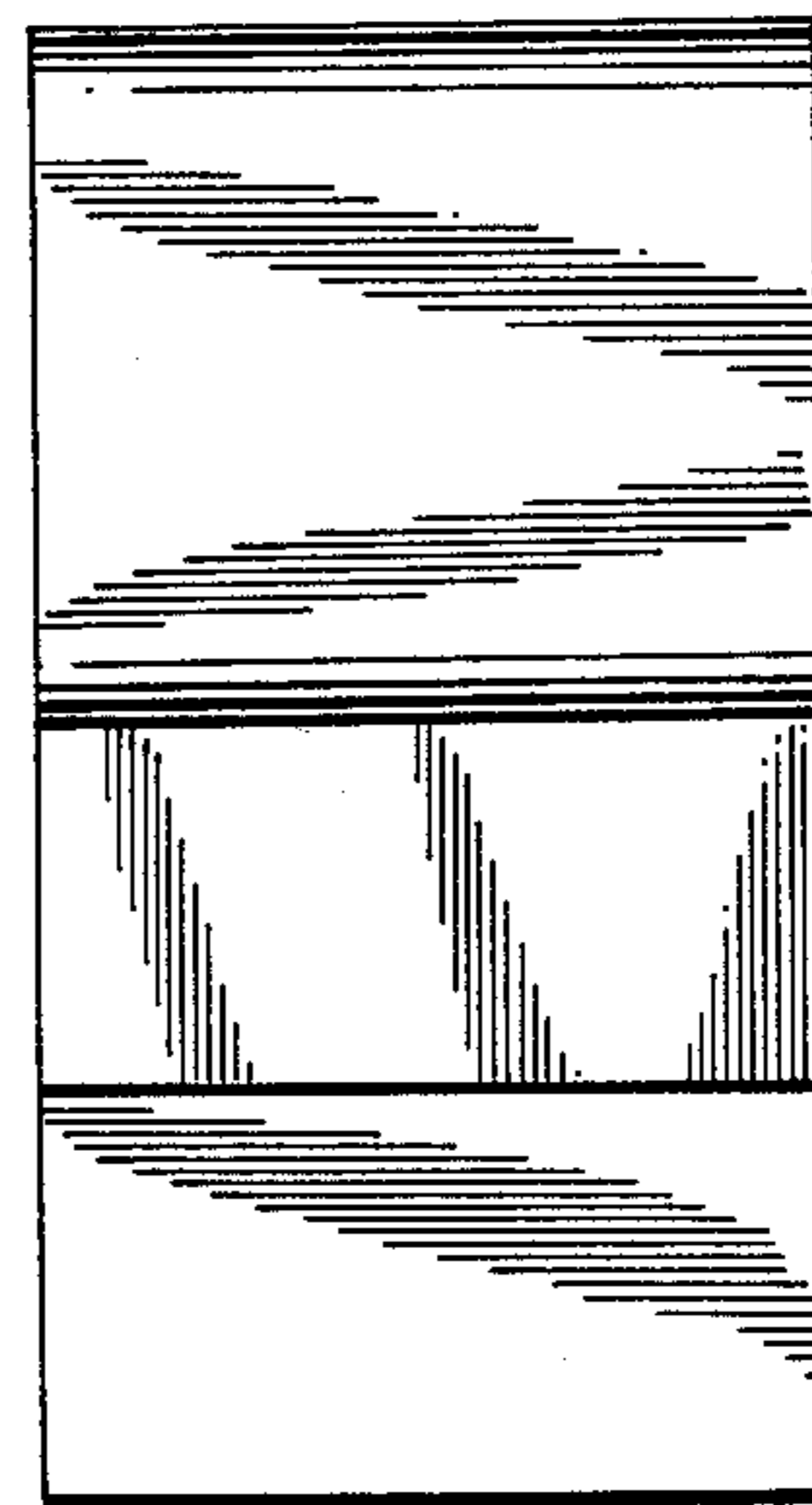
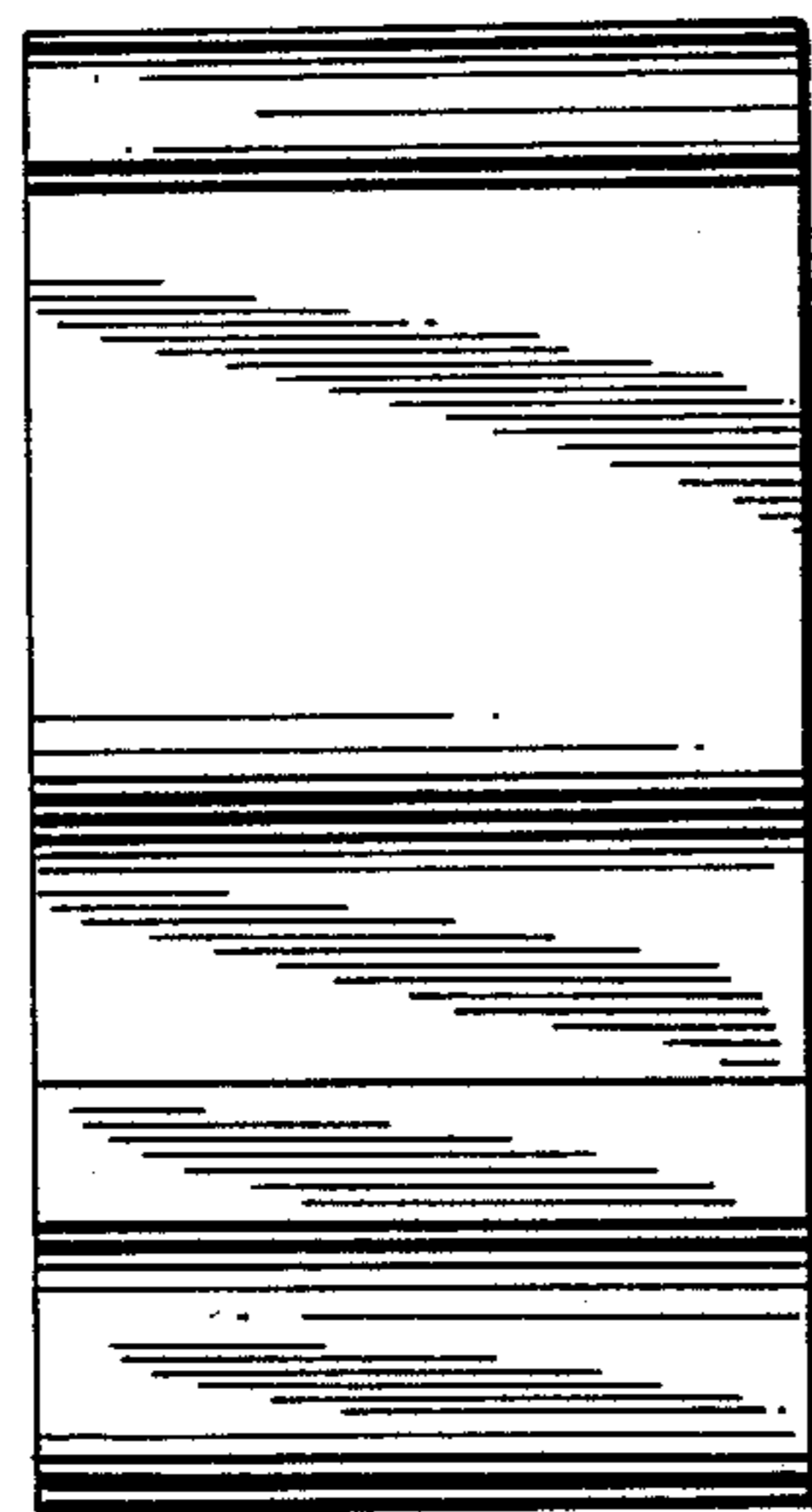
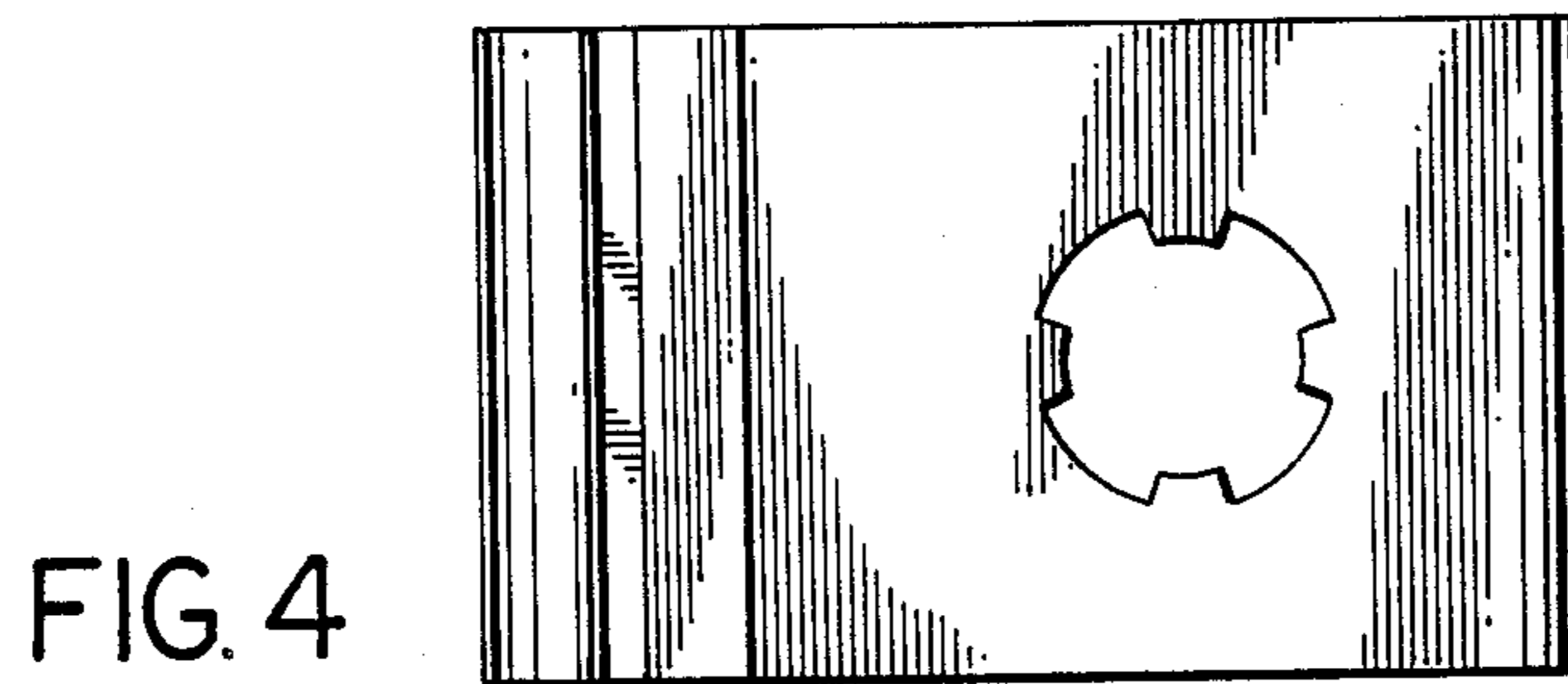
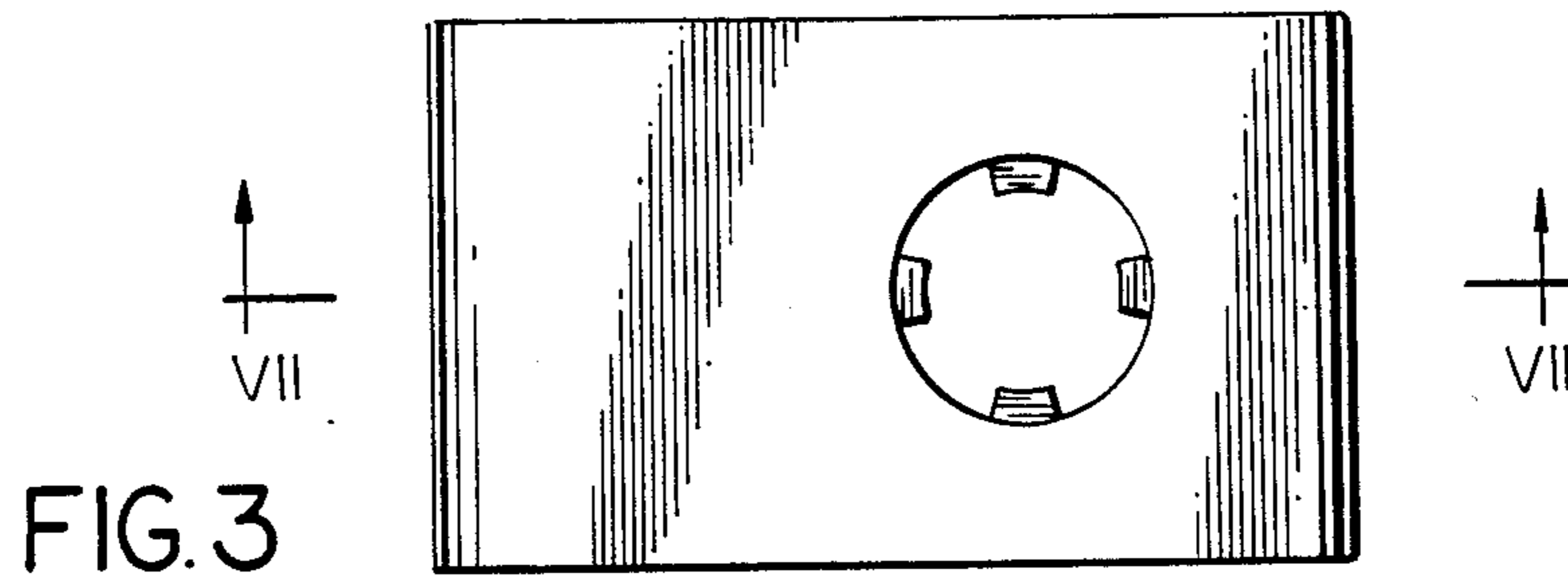


FIG. 2



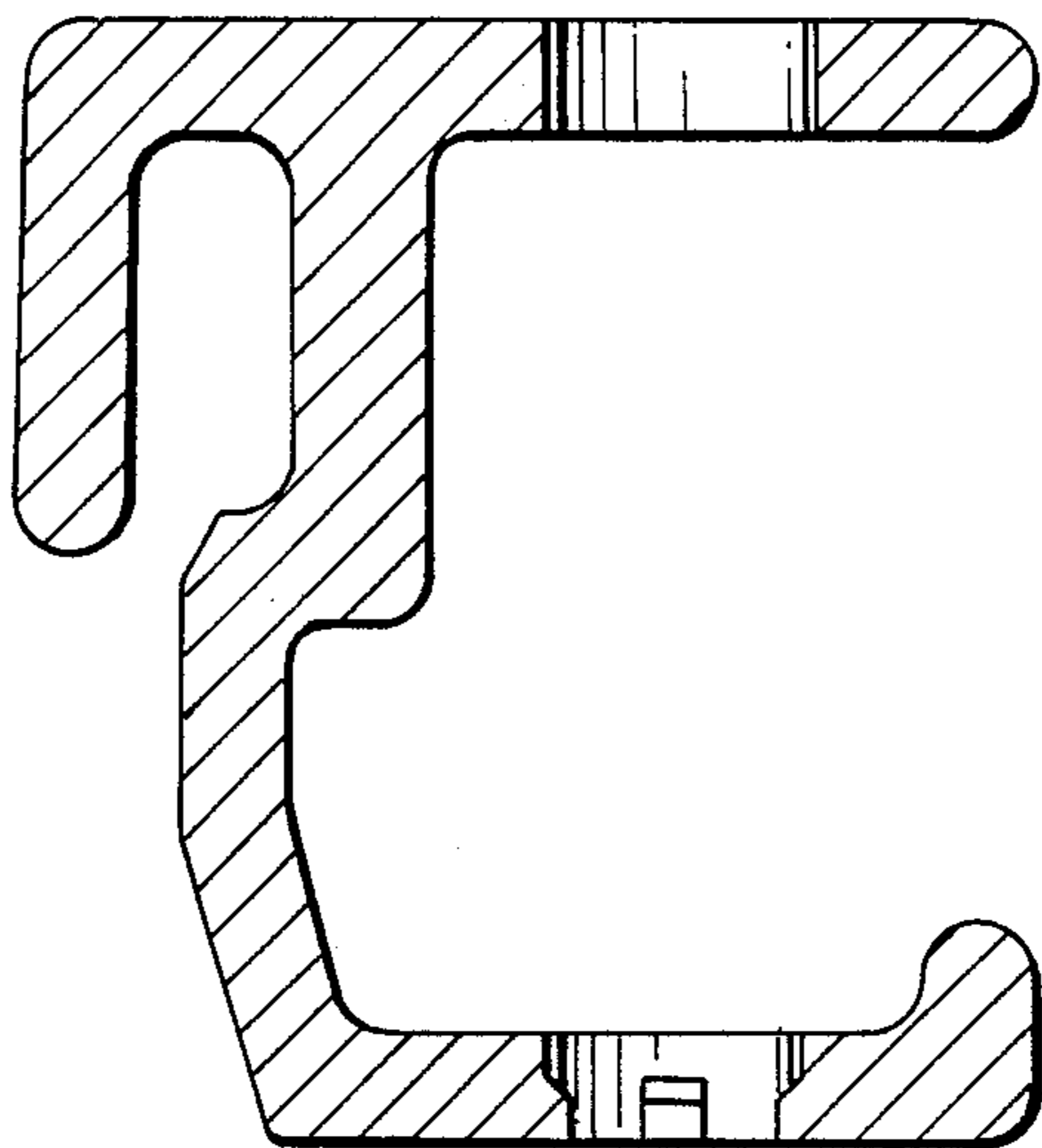


FIG. 7