

[54] **CAN OPENER**

[76] **Inventor: Ronald Ely, 2136 Boundary, San Diego, Calif. 92104**

[**] **Term: 14 Years**

[21] **Appl. No.: 25,999**

[22] **Filed: Mar. 16, 1987**

[52] **U.S. Cl. D8/18**

[58] **Field of Search D8/14, 18, 19, 33, 40, D8/41, 43, 89; 81/3.07, 3.09, 3.55; 7/151-152**

[56] **References Cited**

U.S. PATENT DOCUMENTS

D. 254,475 3/1980 Stover D8/18

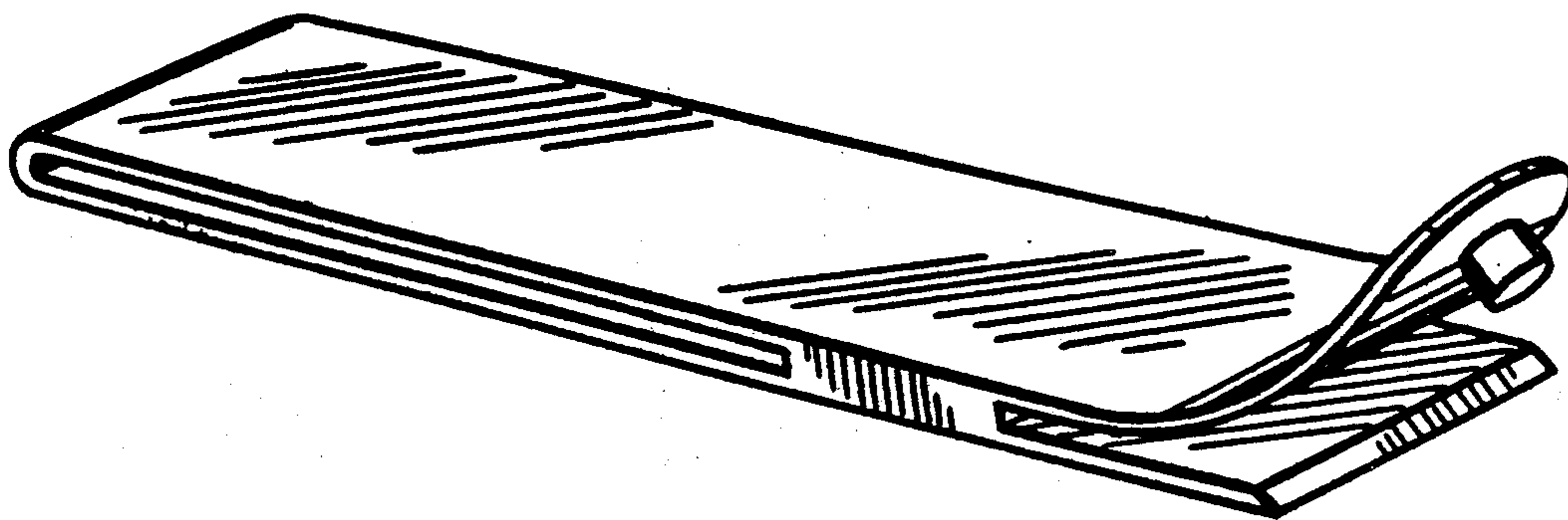
Primary Examiner—Bernard Ansher
Assistant Examiner—Terry A. Pfeffer
Attorney, Agent, or Firm—Brown, Martin, Haller & McClain

[57] **CLAIM**

The ornamental design for a can opener, as shown.

DESCRIPTION

FIG. 1 is a perspective view of a can opener, showing my new design;
FIG. 2 is a side elevational view thereof;
FIG. 3 is a top plan view thereof;
FIG. 4 is a bottom plan view thereof;
FIG. 5 is a front elevational view thereof; and
FIG. 6 is a rear elevational view thereof.



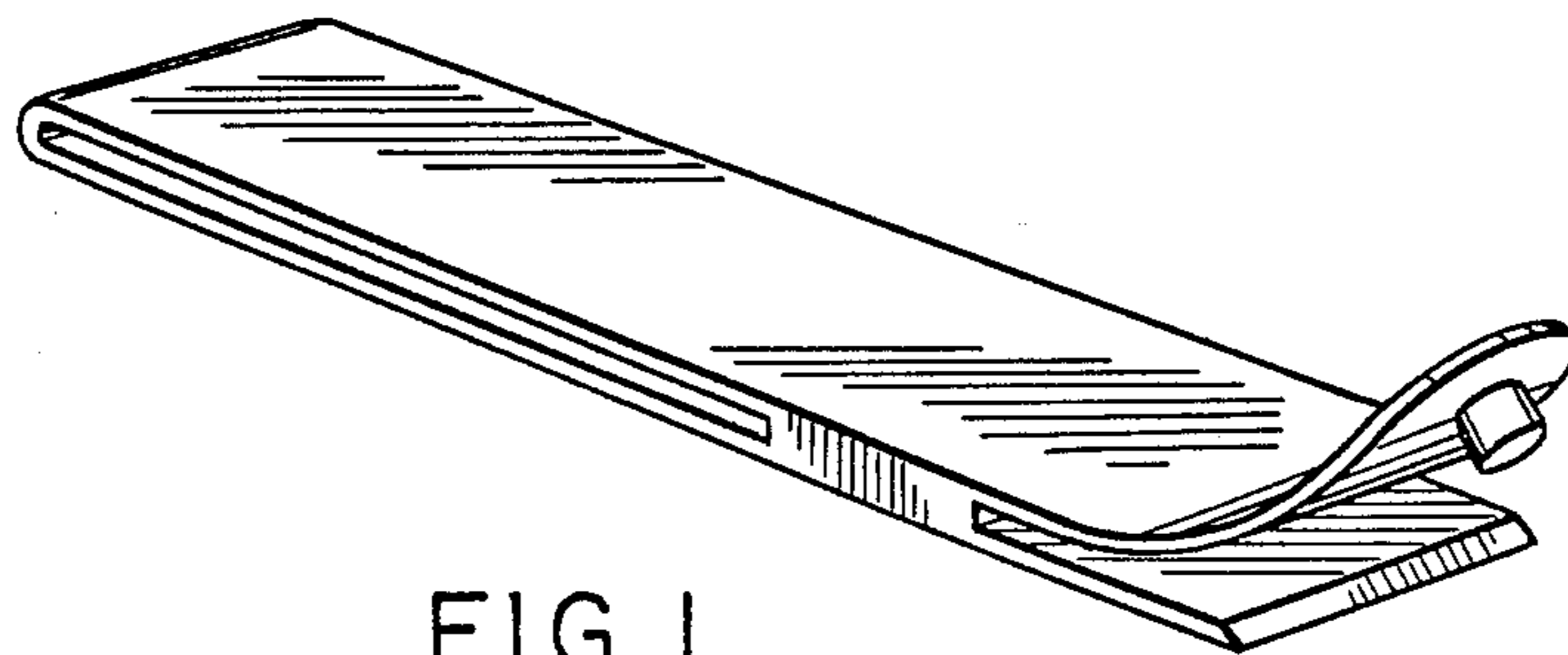


FIG. 1



FIG. 2

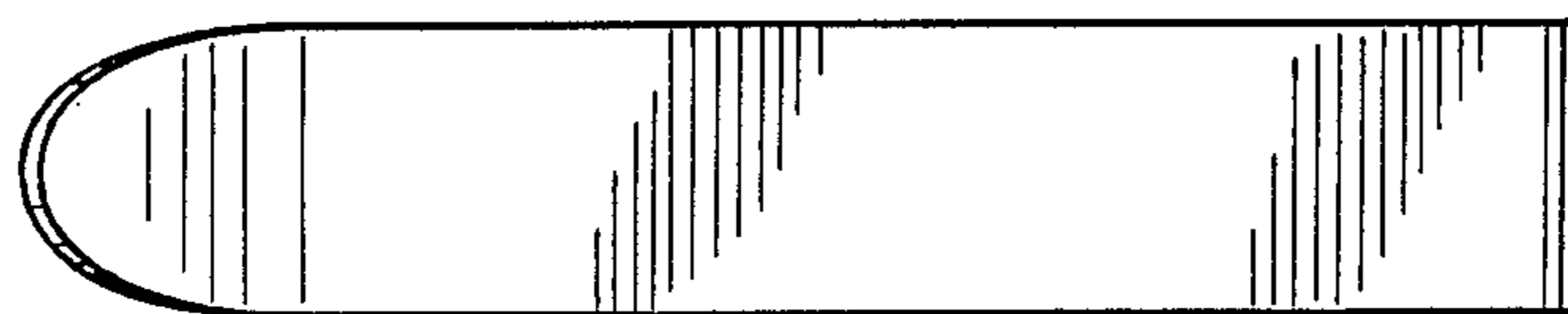


FIG. 3

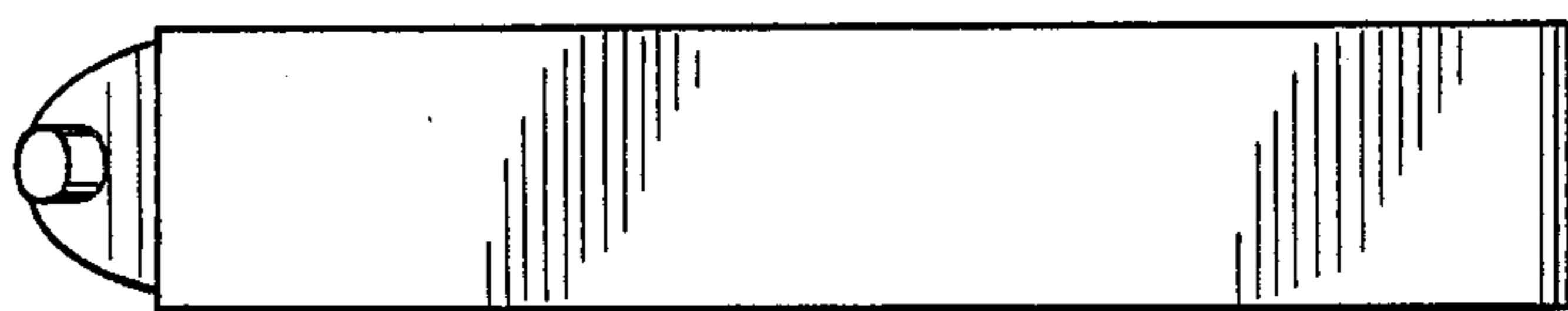


FIG. 4

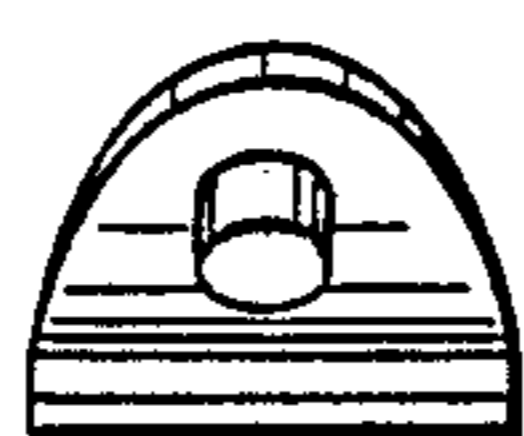


FIG. 5



FIG. 6