

[54] MICROWAVE OVEN

[75] Inventor: Hiroshi Nishibori, Osaka, Japan

[73] Assignee: Sharp Kabushiki Kaisha, Osaka, Japan

[**] Term: 14 Years

[21] Appl. No.: 78,473

[22] Filed: Jul. 27, 1987

[30] Foreign Application Priority Data

Feb. 19, 1987 [JP] Japan 62-6391

[52] U.S. Cl. D7/351

[58] Field of Search D7/350, 351; 219/10.55 R, 10.55 A, 10.55 B, 10.55 C, 10.55 D, 10.55 F, 10.55 M

[56] References Cited

U.S. PATENT DOCUMENTS

D. 292,259 10/1987 Ishibashi D7/351

D. 295,357 4/1988 Kubo et al. D7/351

D. 299,306 1/1989 Yoshida D7/351
D. 301,109 5/1989 Kawaishi D7/351

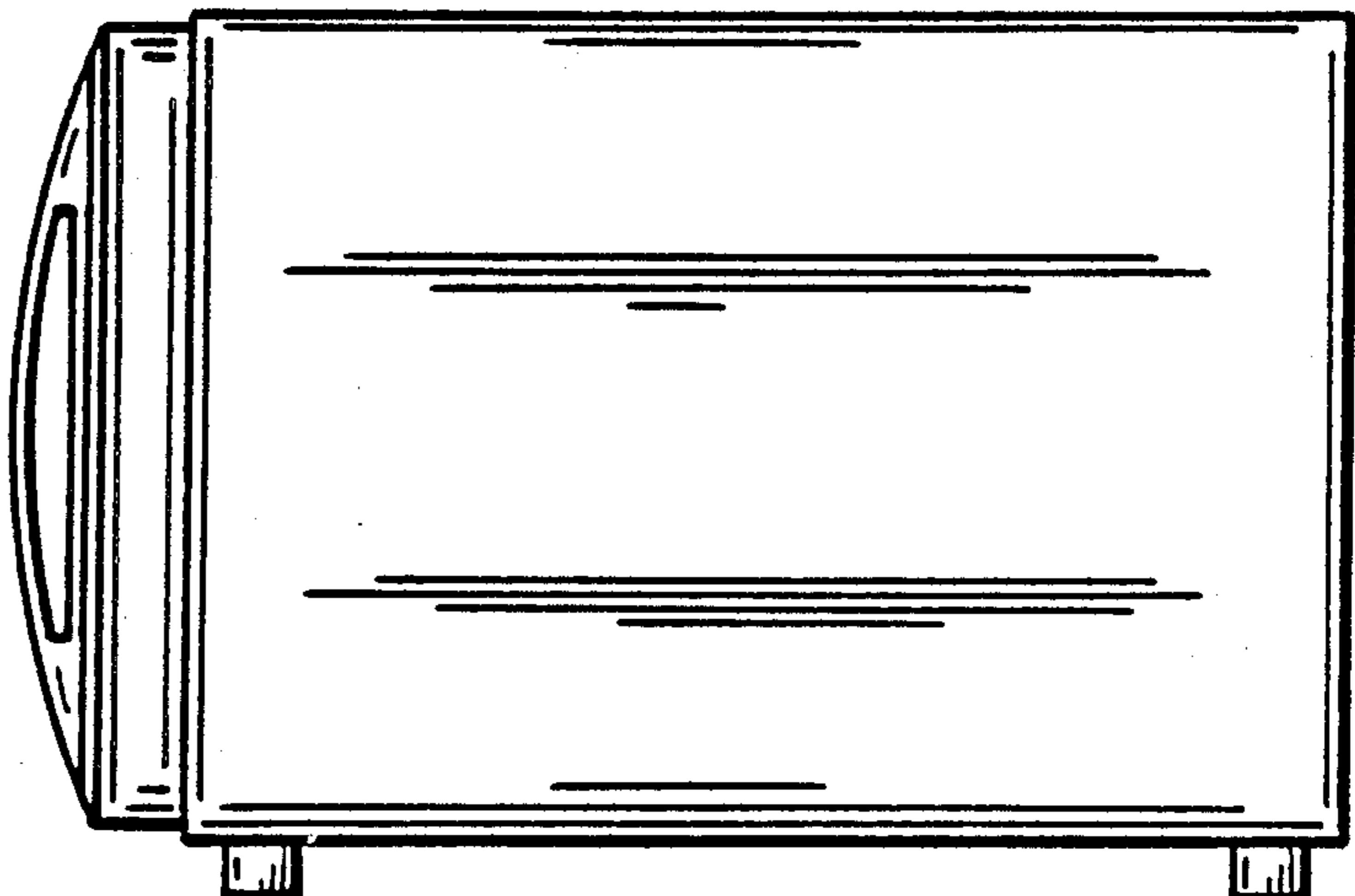
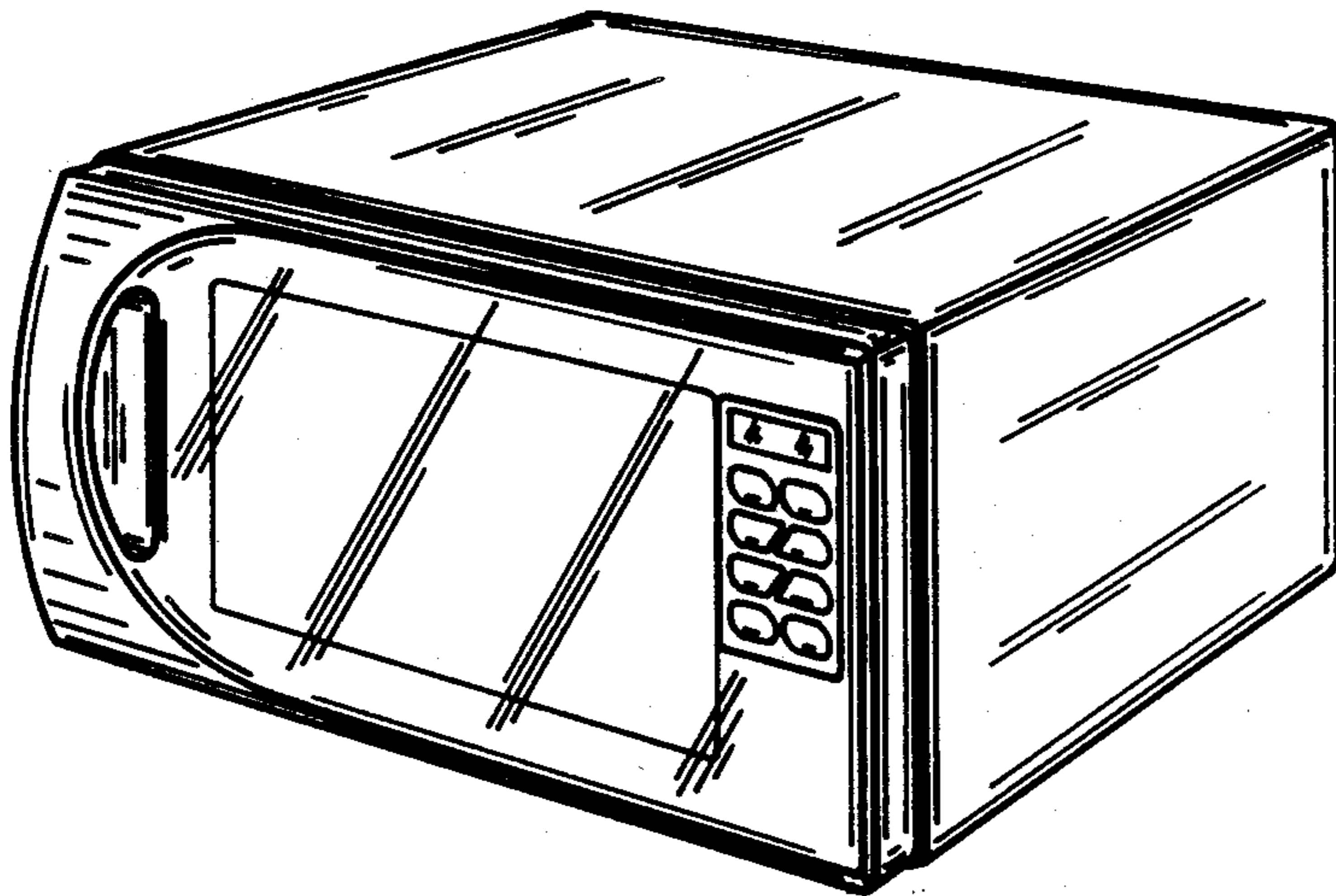
Primary Examiner—Bruce W. Dunkins
Assistant Examiner—Ruth Takemoto
Attorney, Agent, or Firm—Flehr, Hohbach, Test, Albritton & Herbert

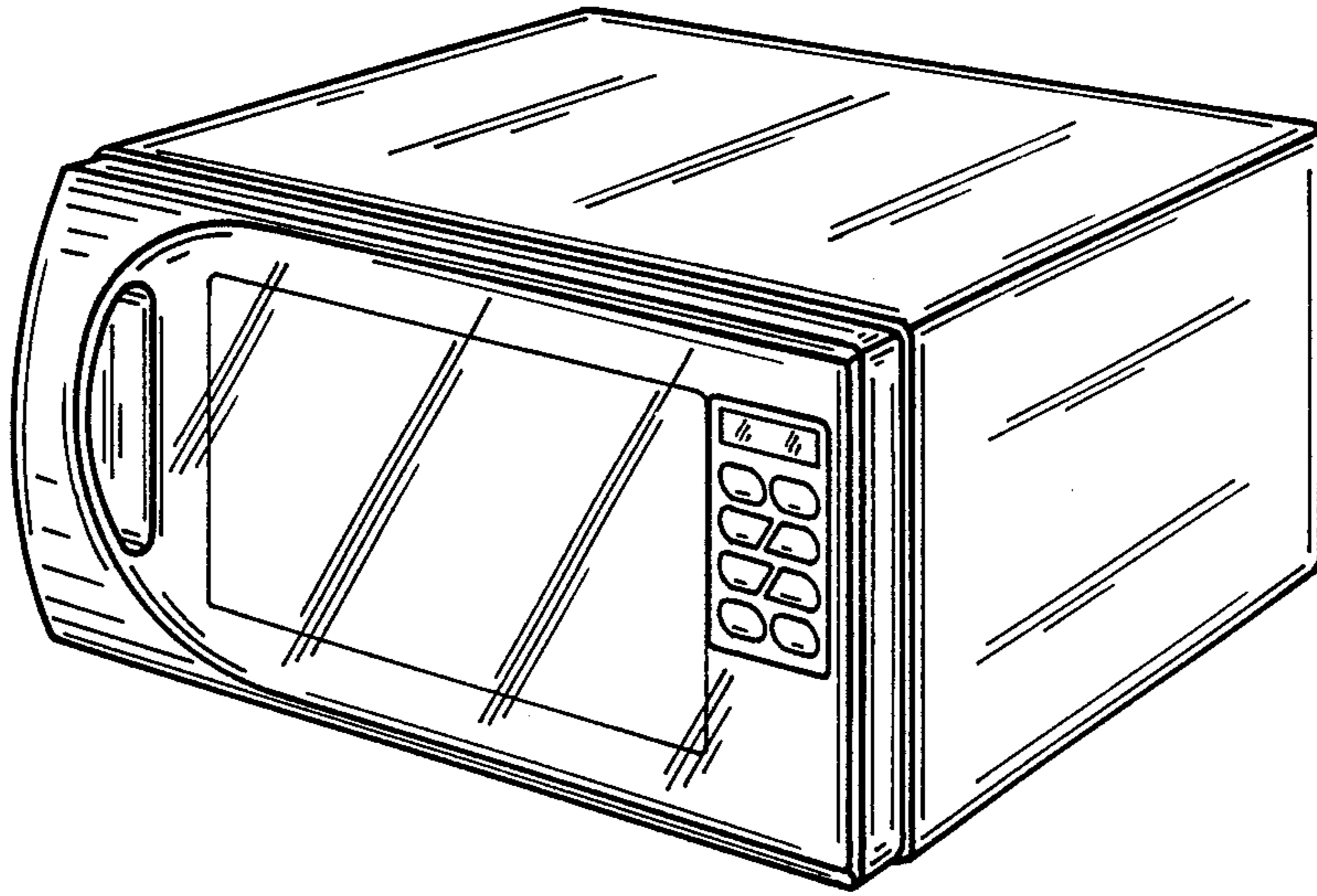
[57] CLAIM

The ornamental design for a microwave oven, as shown and described.

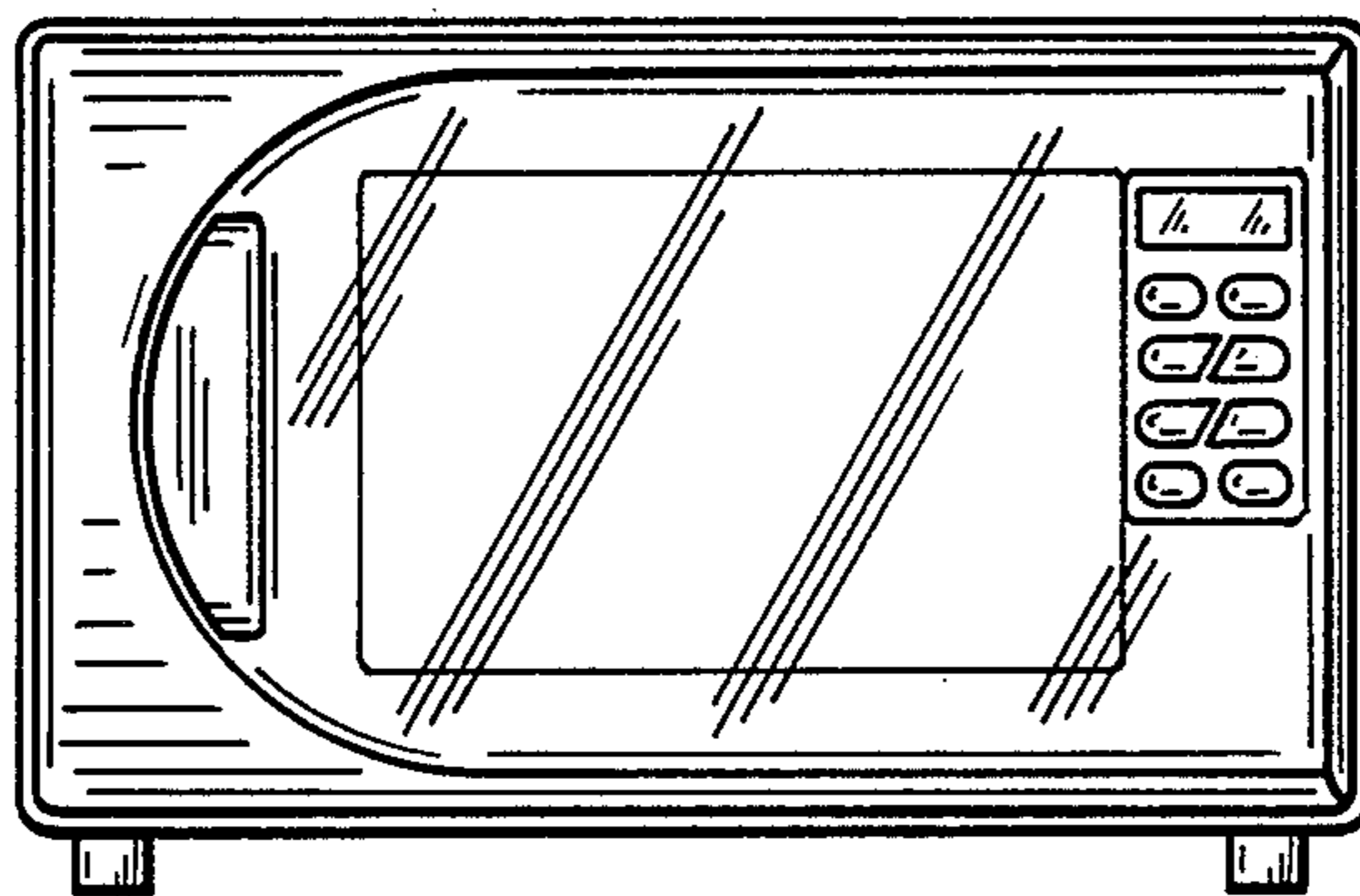
DESCRIPTION

FIG. 1 is a perspective view of a microwave oven showing my new design;
FIG. 2 is a front elevational view thereof;
FIG. 3 is a front elevational view thereof with the oven door open;
FIG. 4 is a rear elevational view thereof;
FIG. 5 is a right side elevational view thereof;
FIG. 6 is a left side elevational view thereof;
FIG. 7 is a top plan view thereof; and
FIG. 8 is a bottom plan view thereof.

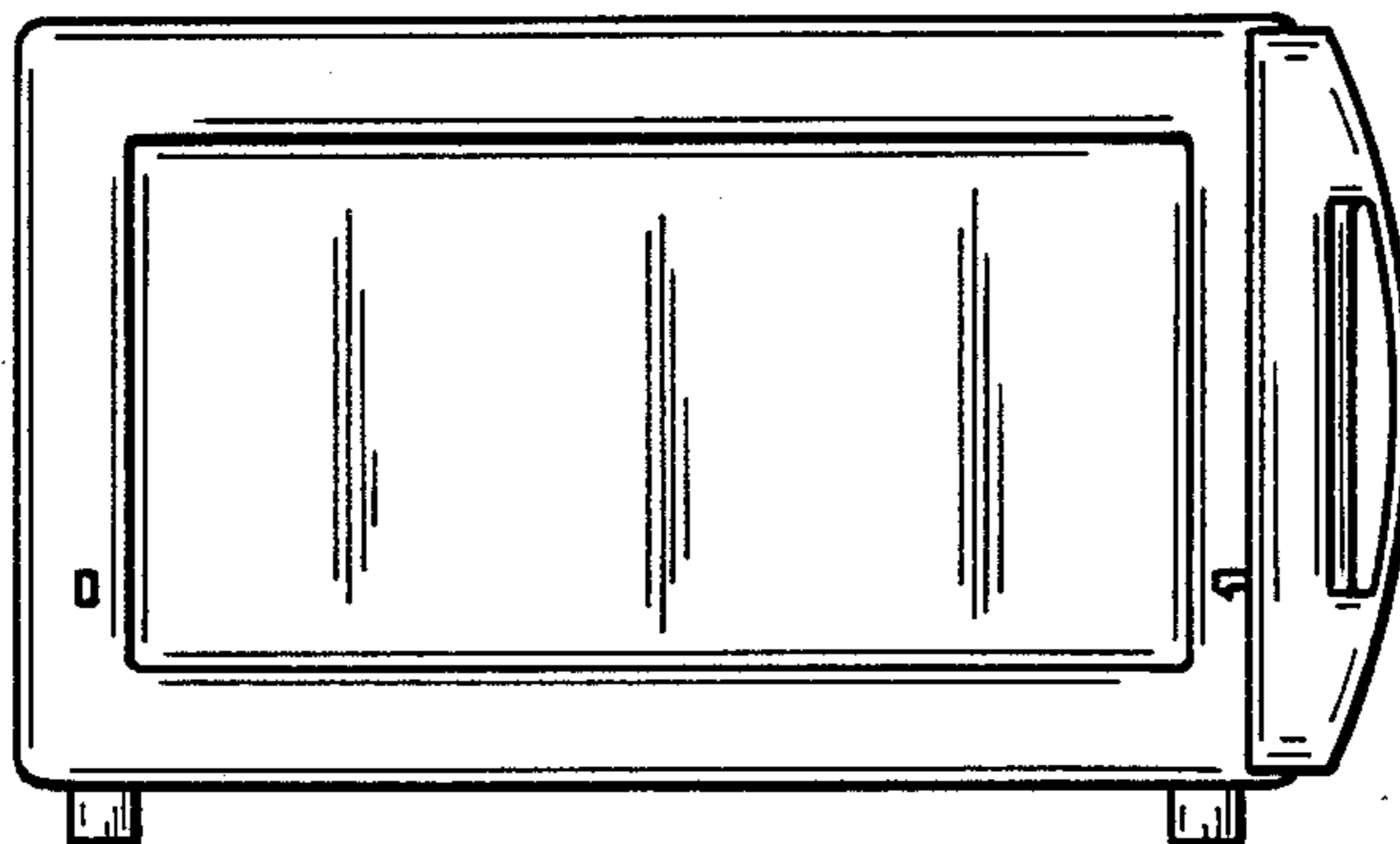




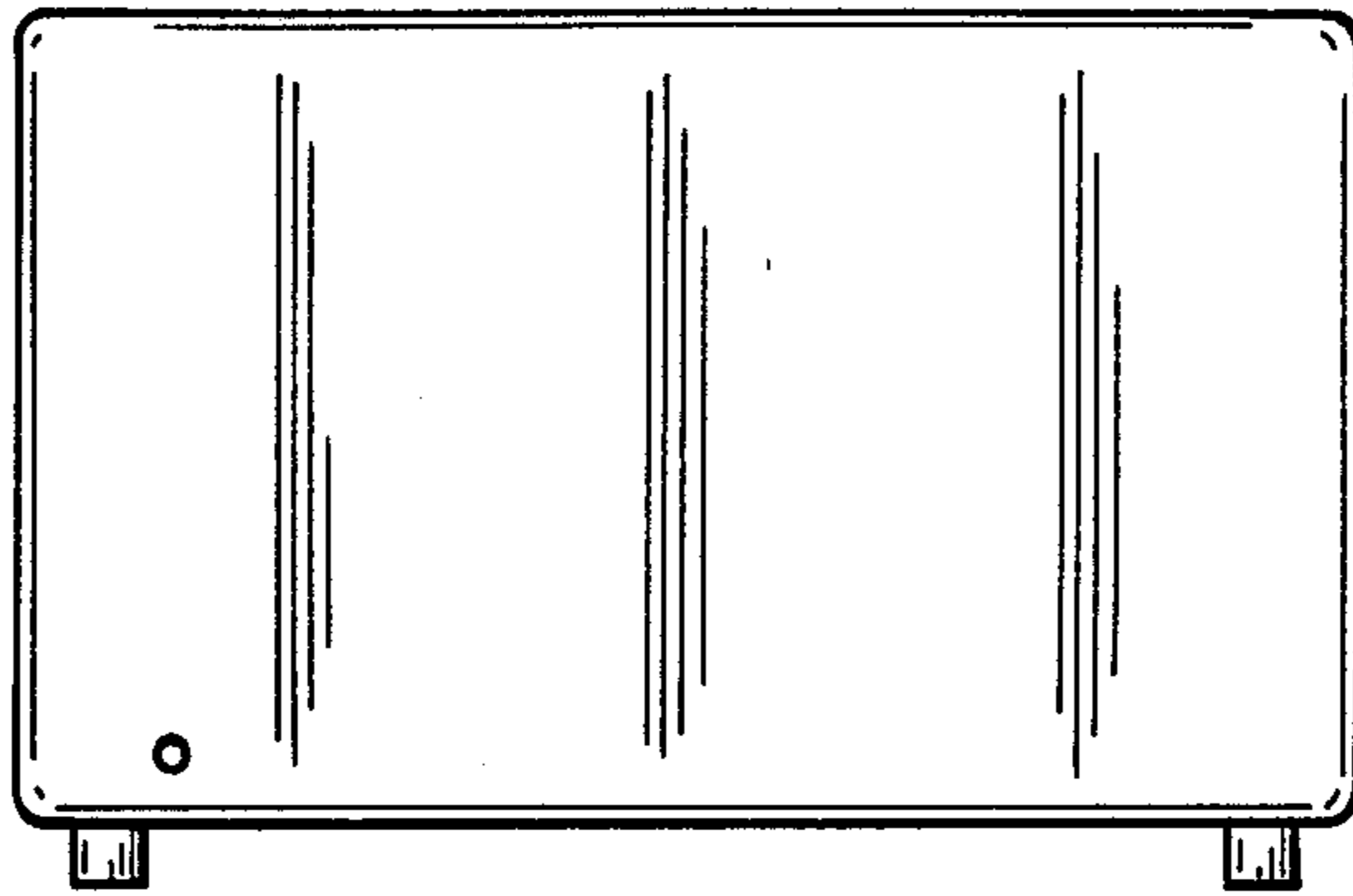
FIG_1



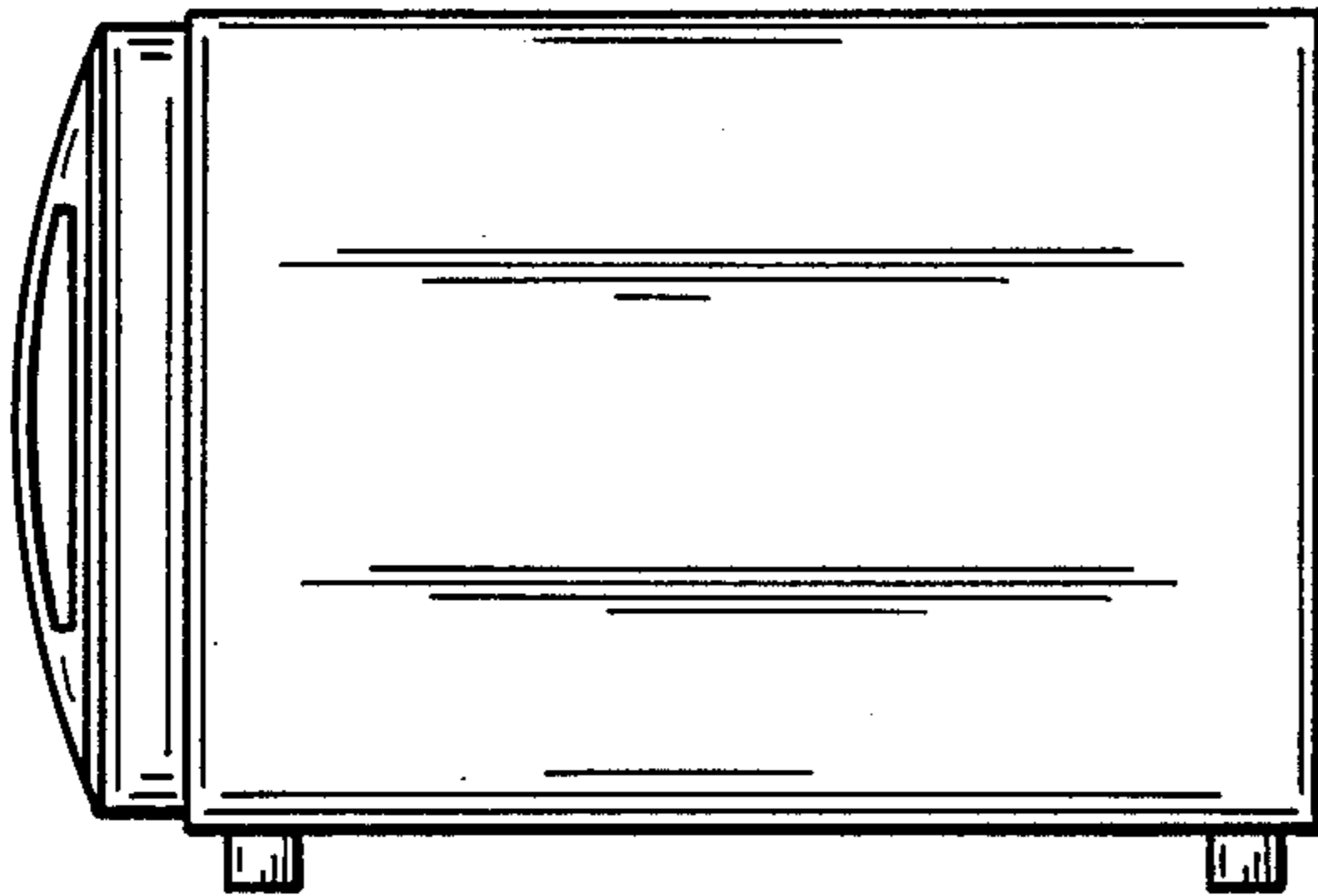
FIG_2



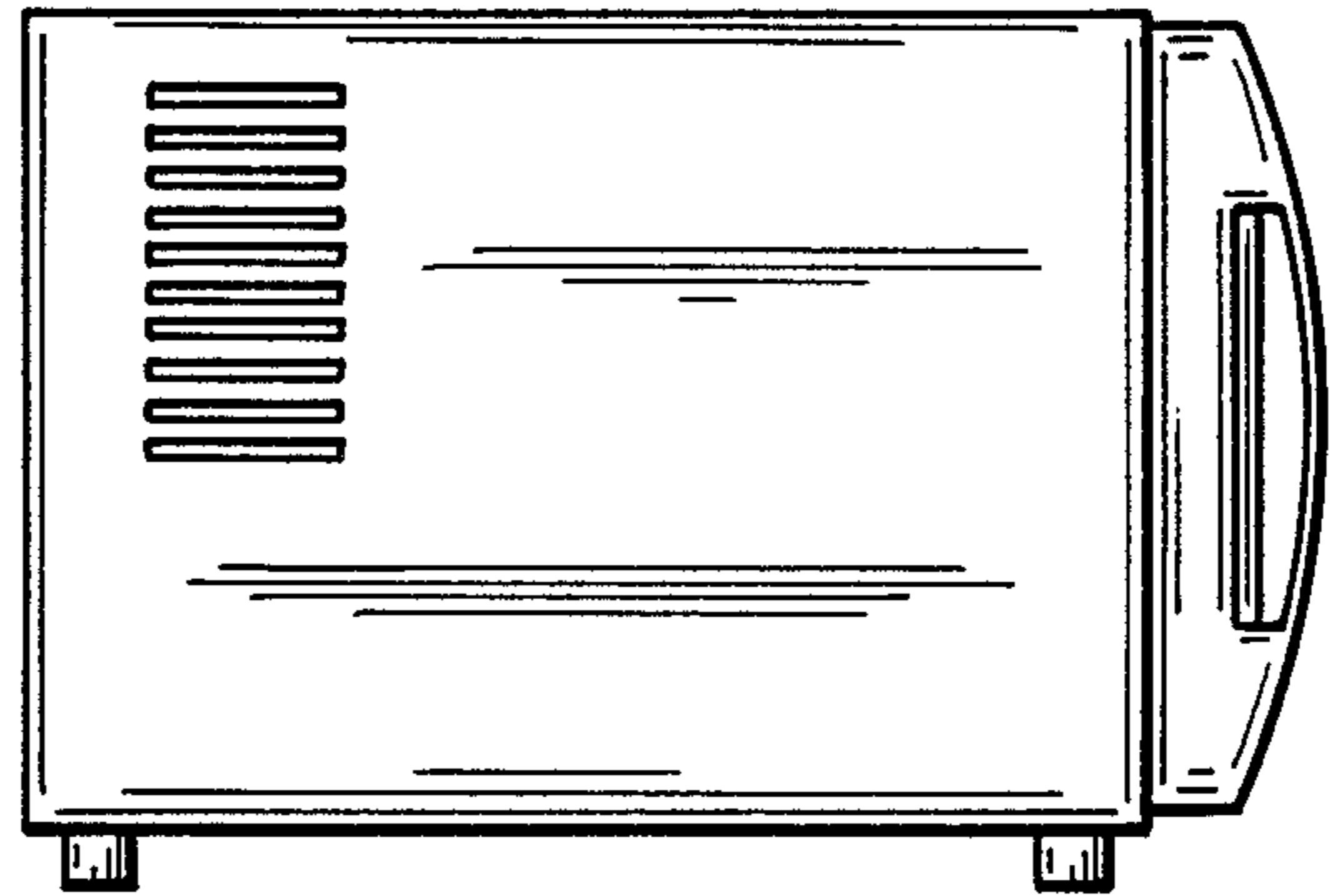
FIG_3



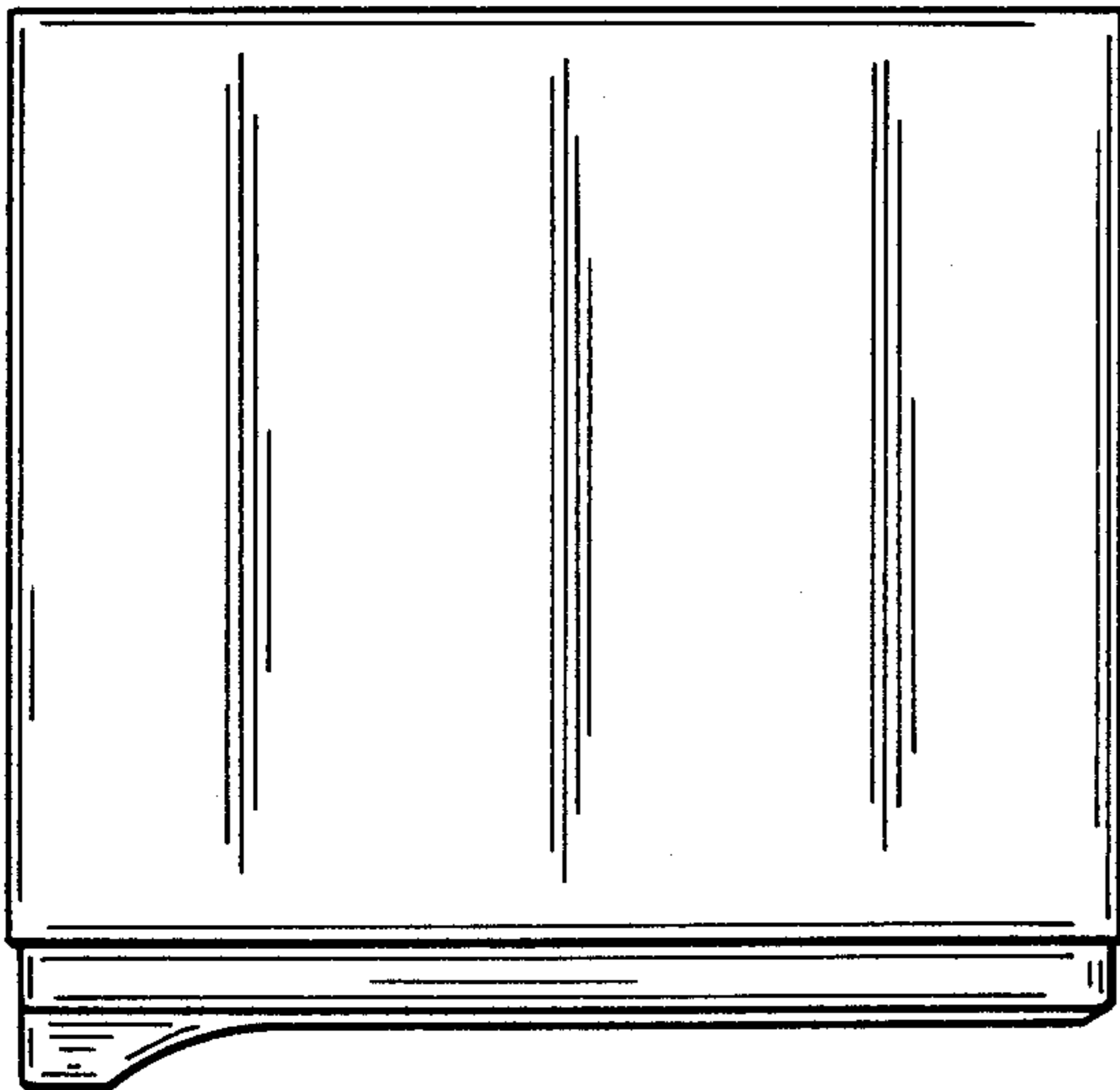
FIG_4



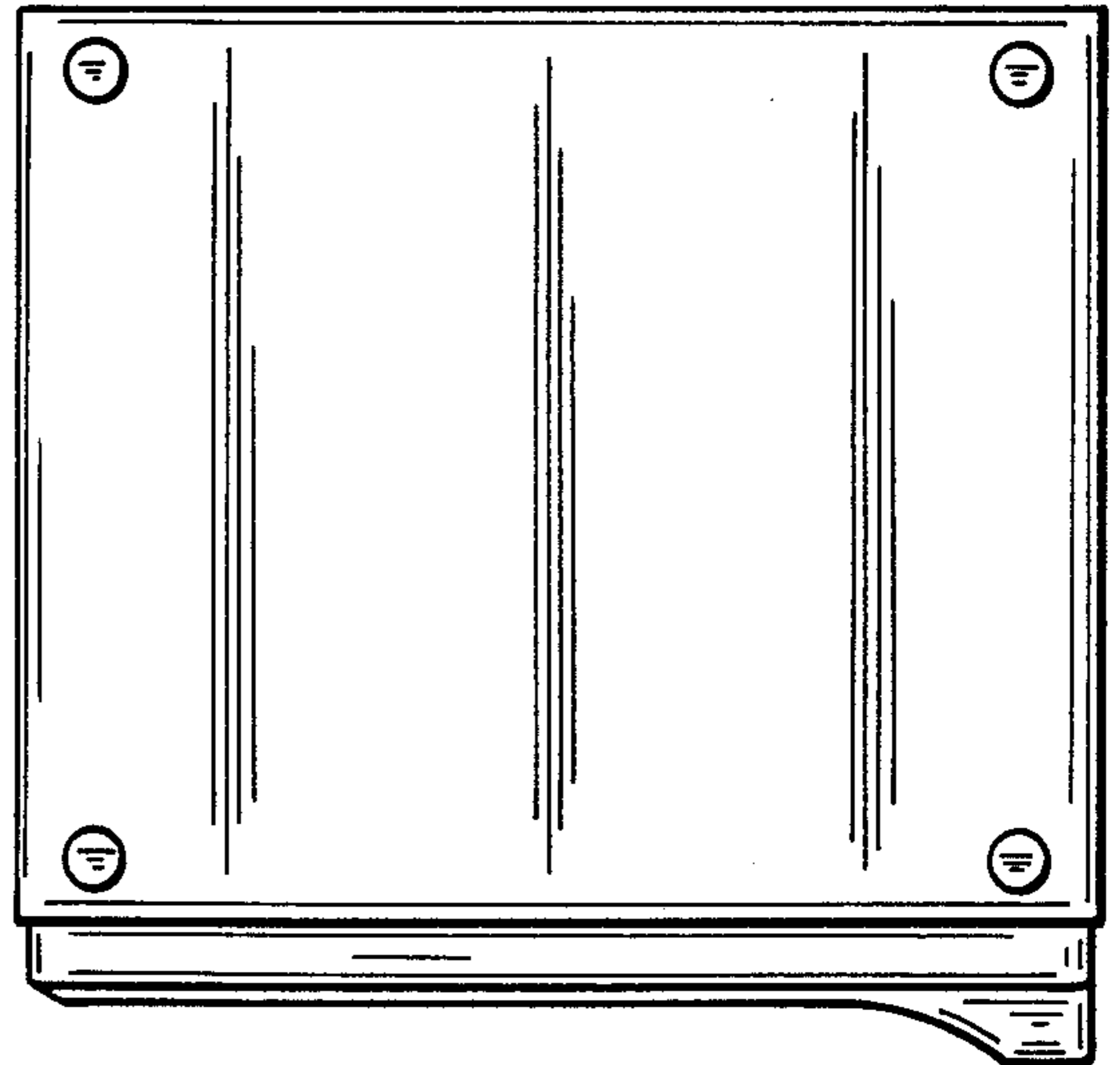
FIG_5



FIG_6



FIG_7



FIG_8