

[54] **MICROWAVE OVEN**

[75] **Inventor: Seung H. Yoo, Buchon, Rep. of Korea**

[73] **Assignee: Gold Star Co., Ltd., Seoul, Rep. of Korea**

[**] **Term: 14 Years**

[21] **Appl. No.: 16,177**

[22] **Filed: Feb. 18, 1987**

[30] **Foreign Application Priority Data**

Aug. 27, 1986 [KR] Rep. of Korea Des: 86-12209

[52] **U.S. Cl. D7/351**

[58] **Field of Search D7/350, 351;
219/10.55 R, 10.55 A-10.55 D, 10.55 F**

[56] **References Cited**

U.S. PATENT DOCUMENTS

D. 277,355 1/1985 Miyake et al. D7/351
D. 277,542 2/1985 Nanbu et al. D7/351

D. 285,893 9/1986 Mizuma et al. D7/351
D. 293,540 1/1988 Choi D7/351
D. 294,109 2/1988 Katagami et al. D7/351
D. 294,216 2/1988 Choi D7/351

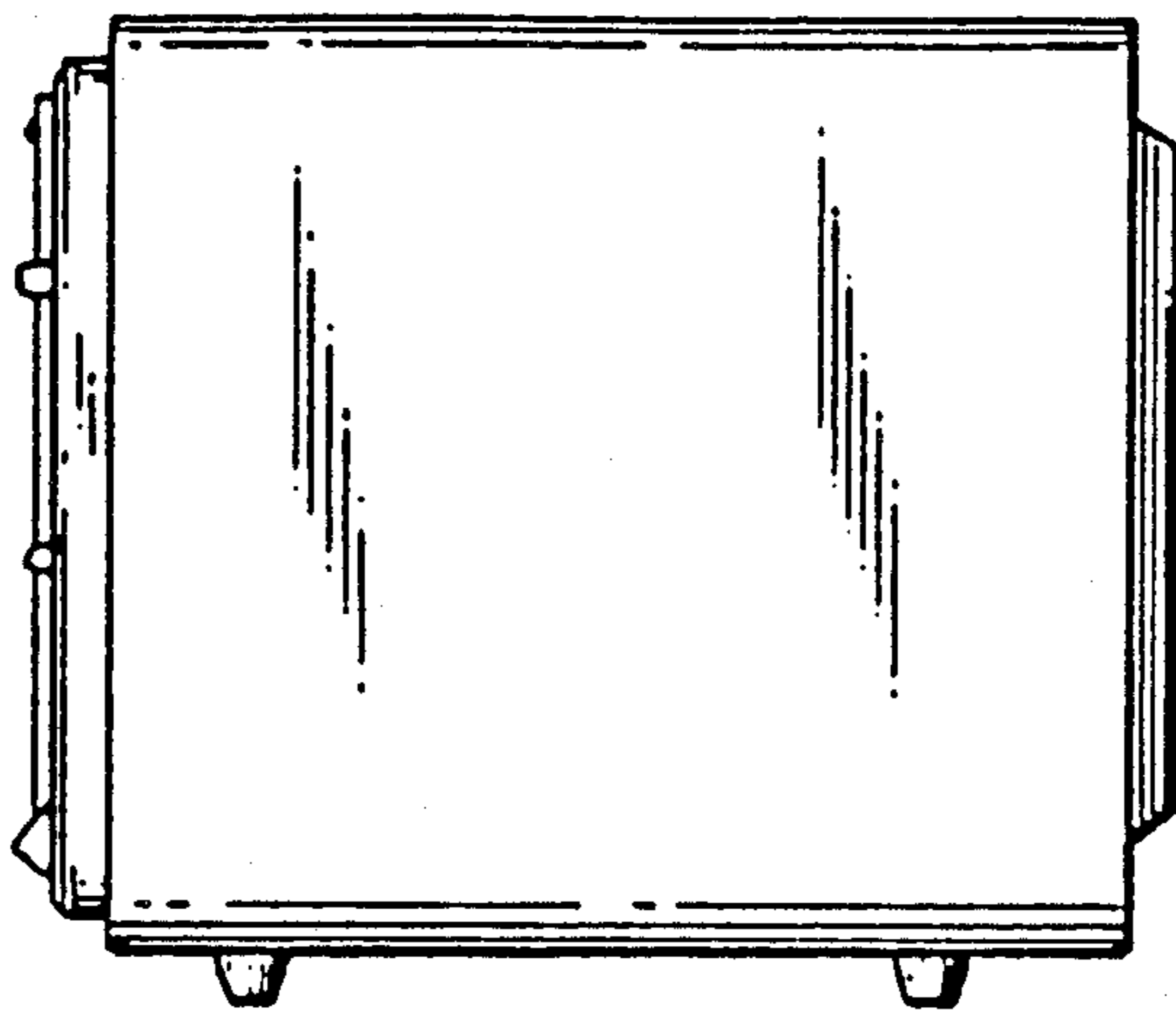
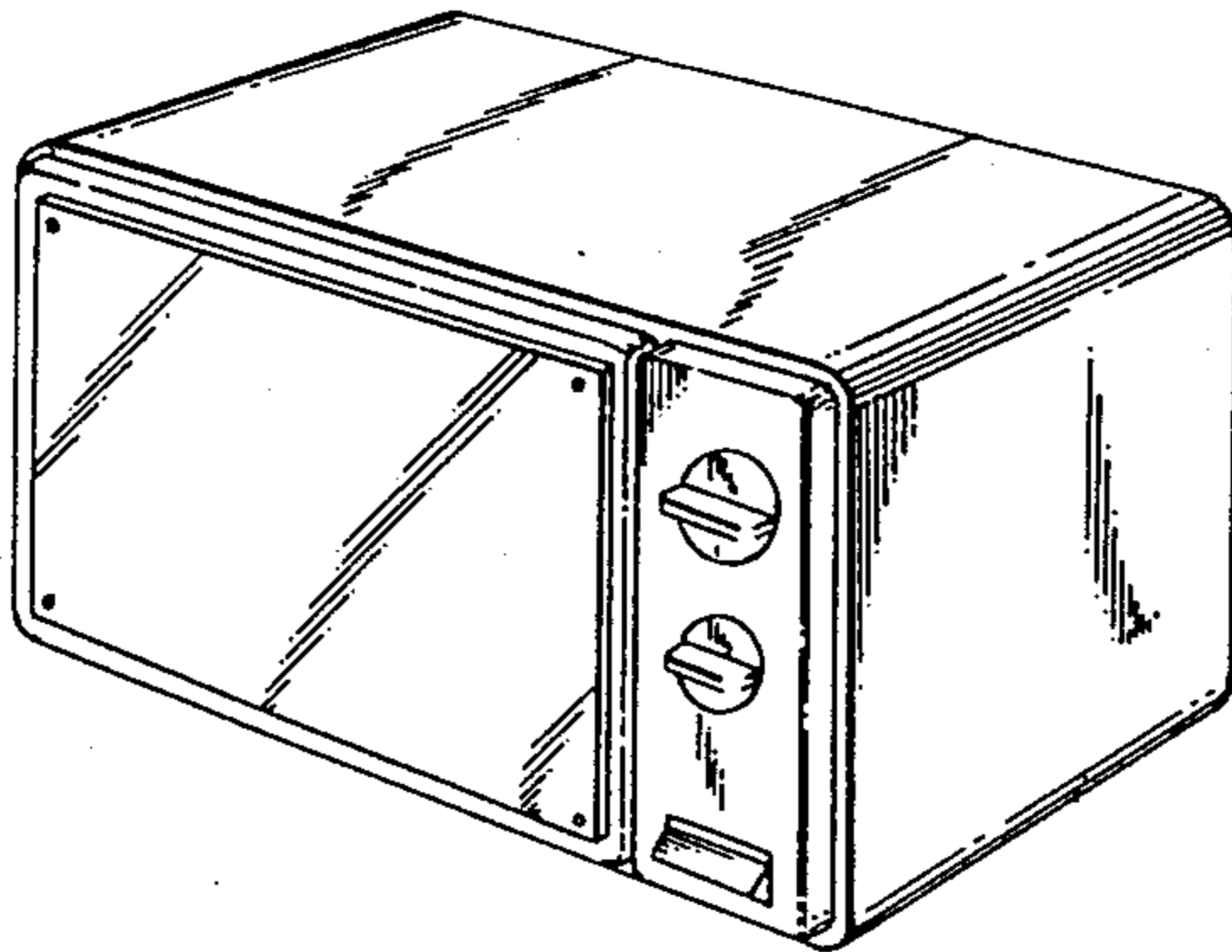
Primary Examiner—Bruce W. Dunkins
Assistant Examiner—Ruth Takemoto
Attorney, Agent, or Firm—Birch, Stewart, Kolasch & Birch

[57] **CLAIM**

The ornamental design for a microwave oven, as shown and described.

DESCRIPTION

FIG. 1 is a top front and right side perspective view of the microwave oven showing my new design;
FIG. 2 is a top plan view thereof;
FIG. 3 is a front elevational view thereof;
FIG. 4 is a bottom plan view thereof;
FIG. 5 is a rear elevational view thereof;
FIG. 6 is a right side elevational view thereof; and
FIG. 7 is a left side elevational view thereof.



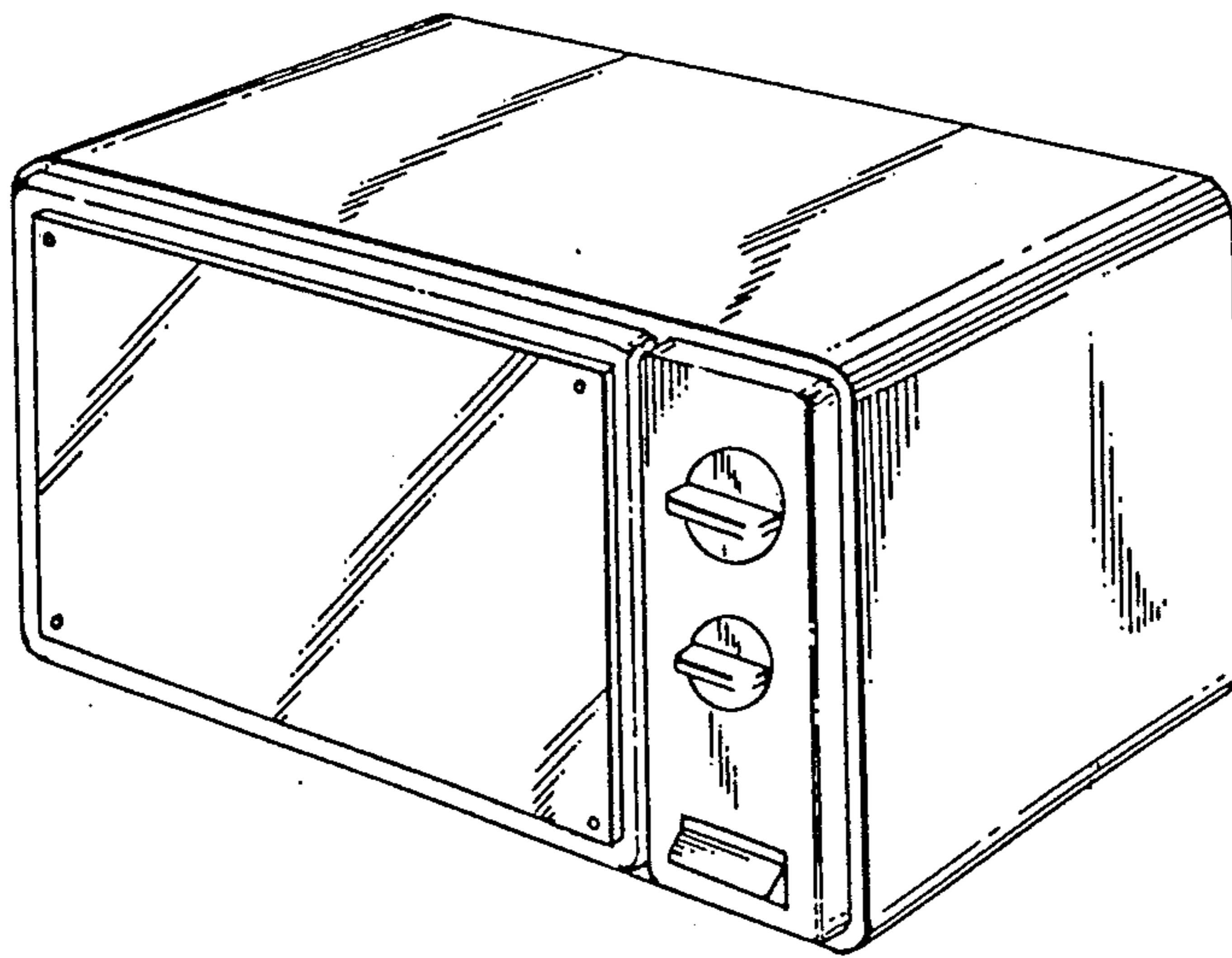


FIG. 1

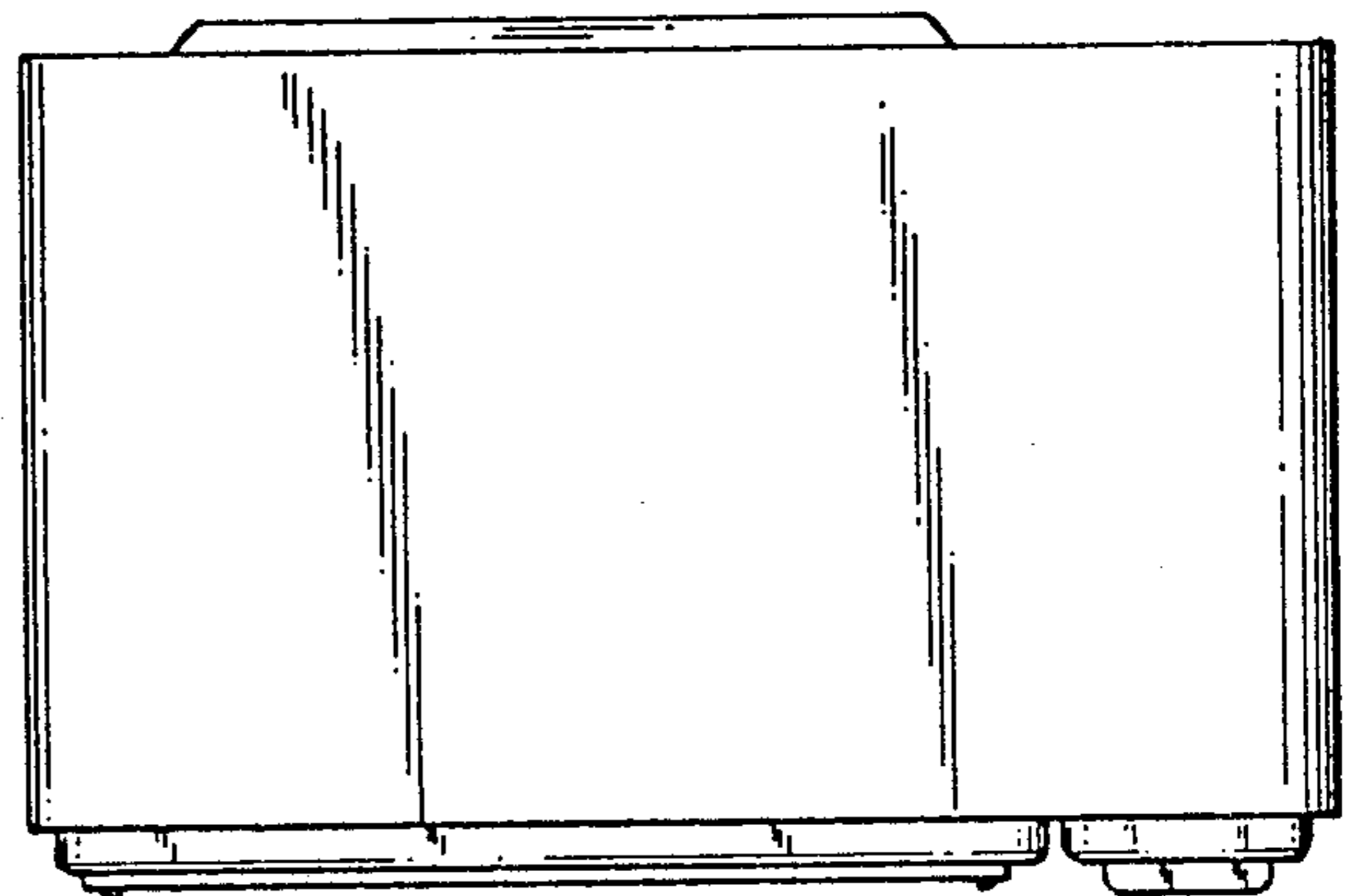


FIG. 2

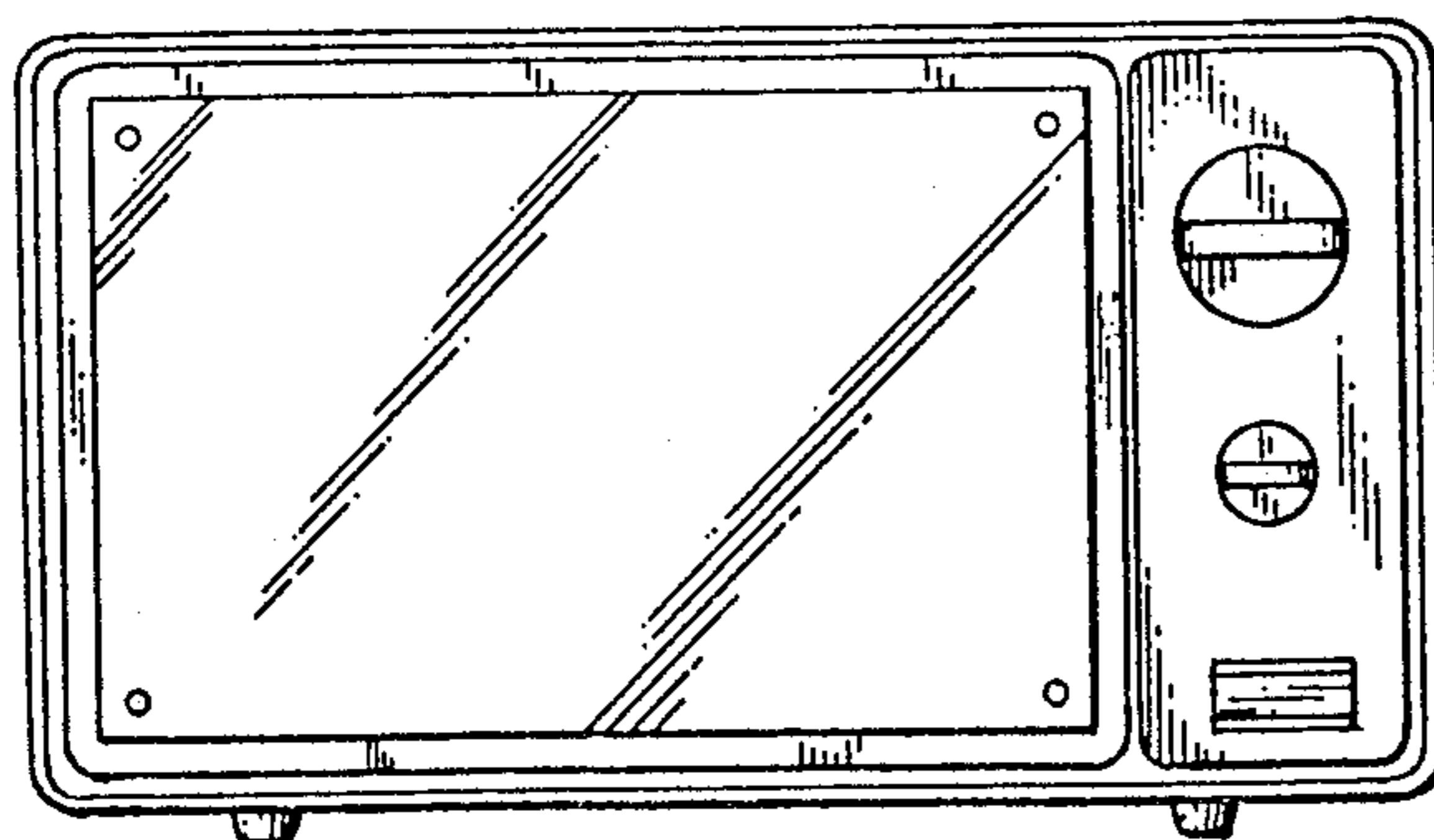


FIG. 3

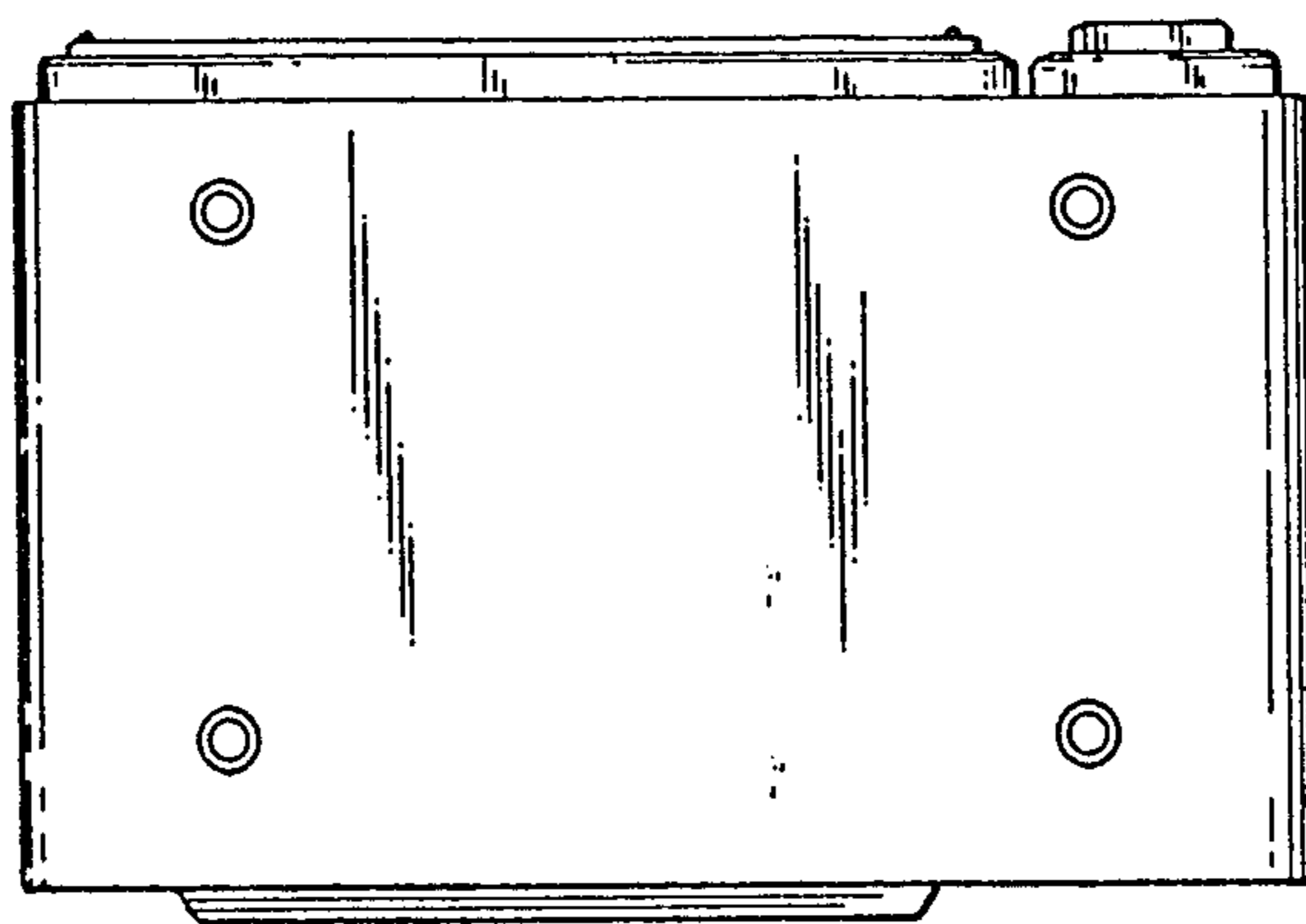
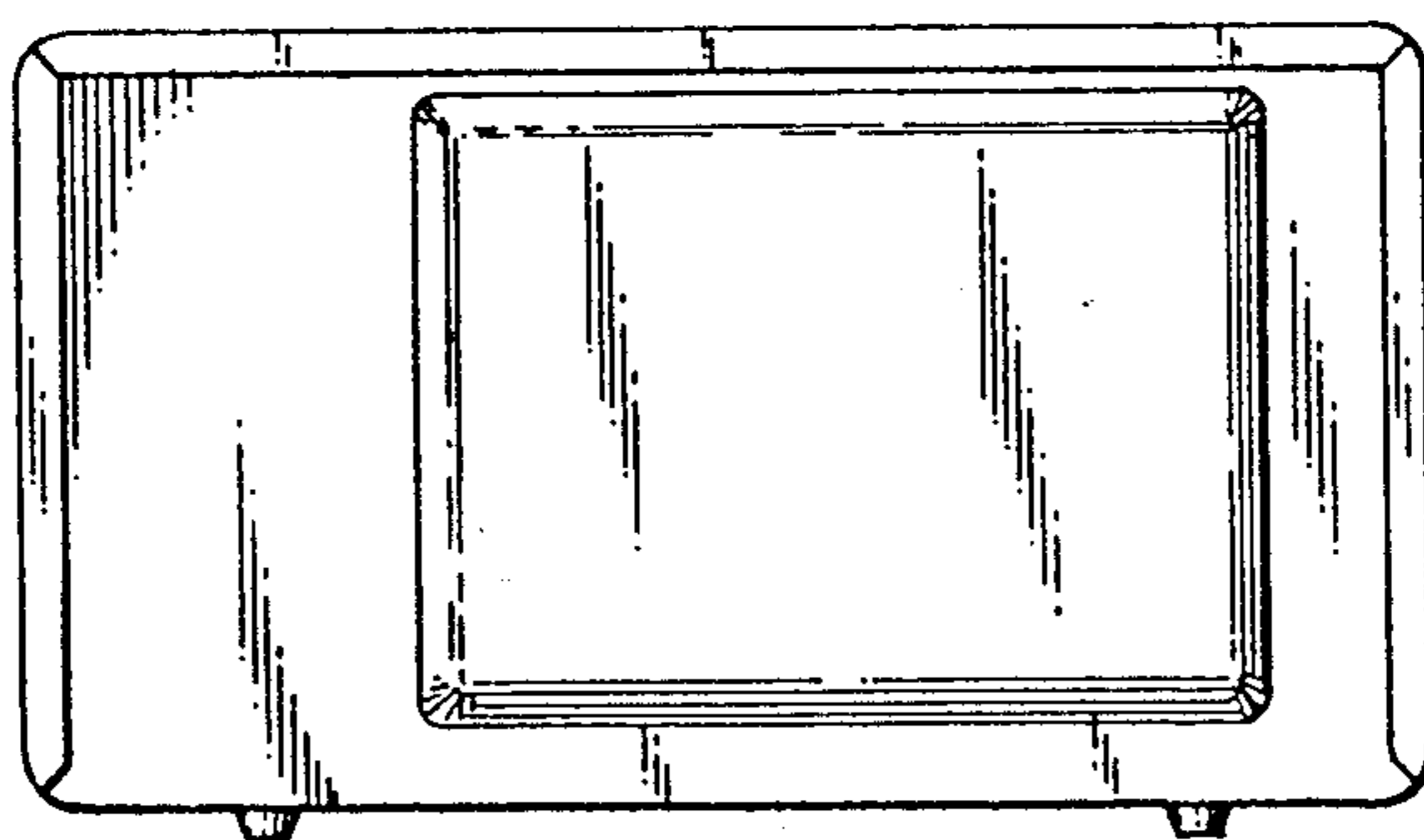


FIG. 4

FIG. 5



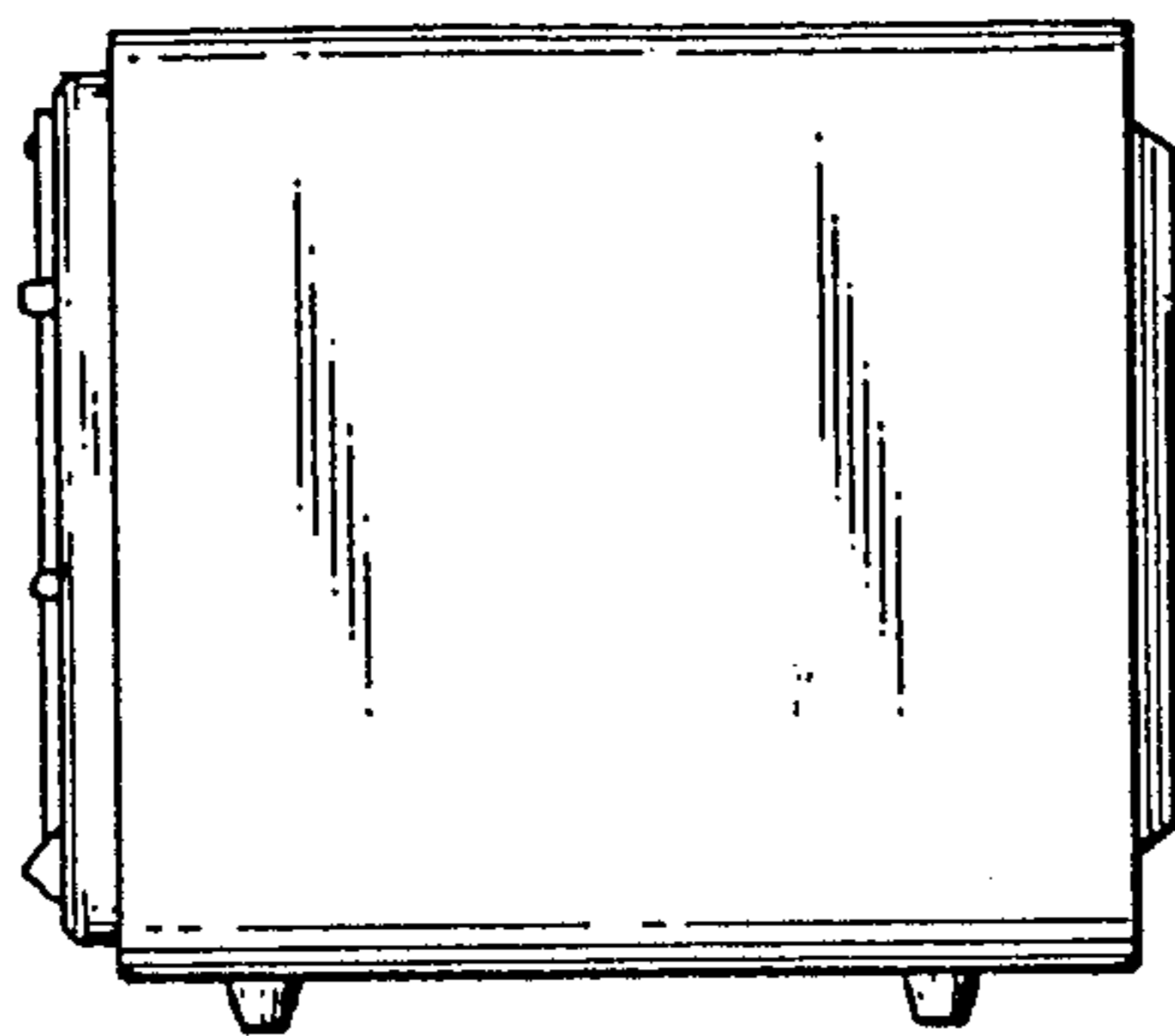


FIG. 6

FIG. 7

