

[54] **COFFEE MAKER**

- [75] Inventor: Masao Tsuji, Old Lyme, Conn.
- [73] Assignee: North American Philips Corp., New York, N.Y.
- [\*\*] Term: 14 Years
- [21] Appl. No.: 943,287
- [22] Filed: Dec. 17, 1986
- [52] U.S. Cl. .... D7/309
- [58] Field of Search ..... D7/306-309,  
D7/300, 305, 311, 397

[56]

**References Cited**

**U.S. PATENT DOCUMENTS**

- D. 248,721 8/1978 Sato et al. .... D7/309
- D. 253,572 12/1979 Rinaldi ..... D7/309
- D. 281,943 12/1985 Rosalgino ..... D7/309

**OTHER PUBLICATIONS**

*HFD-Retailing Home Furnishings*, May 4, 1981, p. 28, Section One, middle left panel/"Robot-Coupe", Cappuccino-Espresso Maker.

*Primary Examiner*—Winifred E. Herrmann  
*Attorney, Agent, or Firm*—Ernestine C. Bartlett

[57] **CLAIM**

The ornamental design for a coffee maker, as shown and described.

**DESCRIPTION**

FIG. 1 is a front elevational view of a coffee maker showing my new design;  
FIG. 2 is a rear elevational view thereof;  
FIG. 3 is a top plan view thereof;  
FIG. 4 is a bottom plan view thereof;  
FIG. 5 is a left side elevational view thereof; and  
FIG. 6 is a right side elevational view thereof.

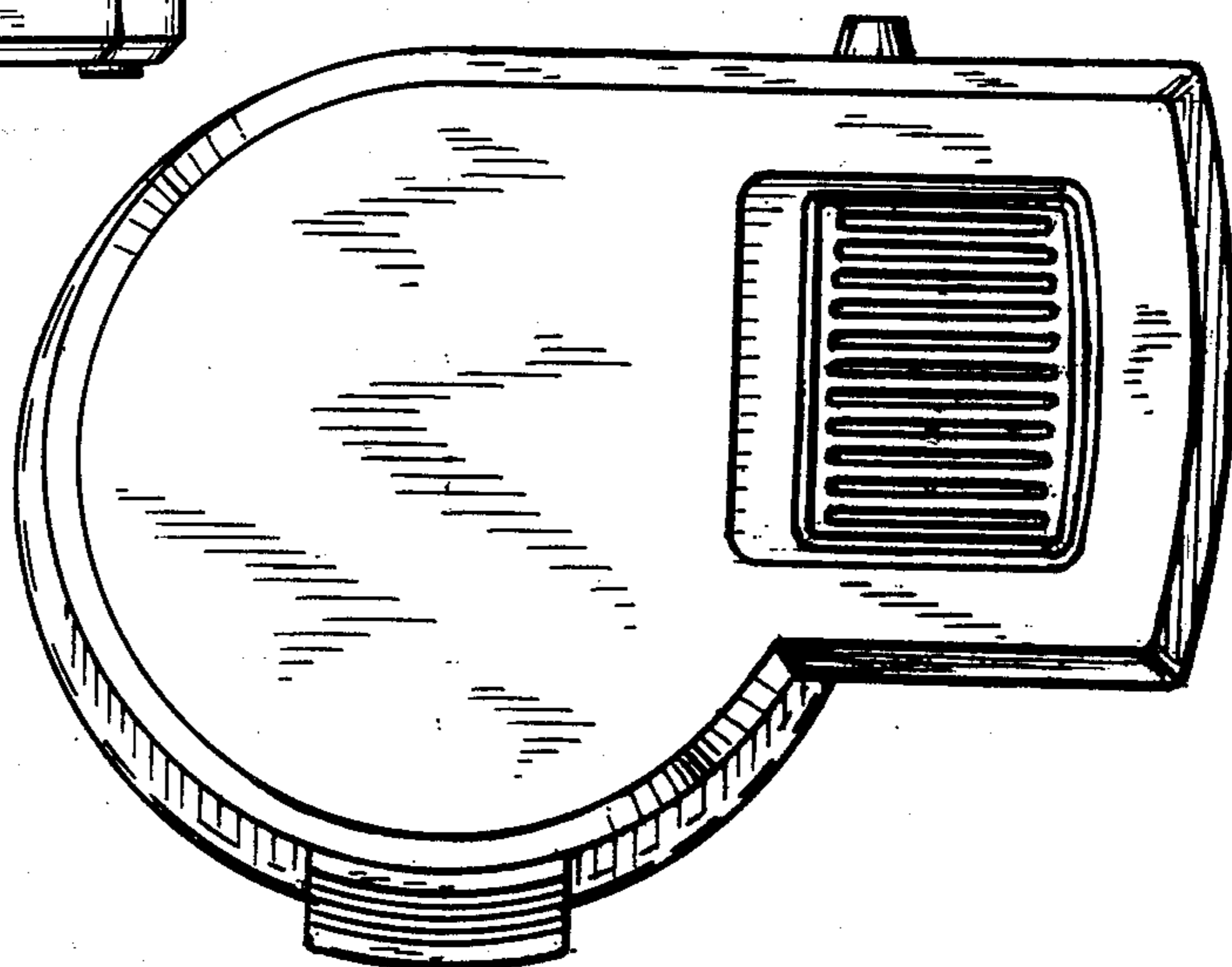
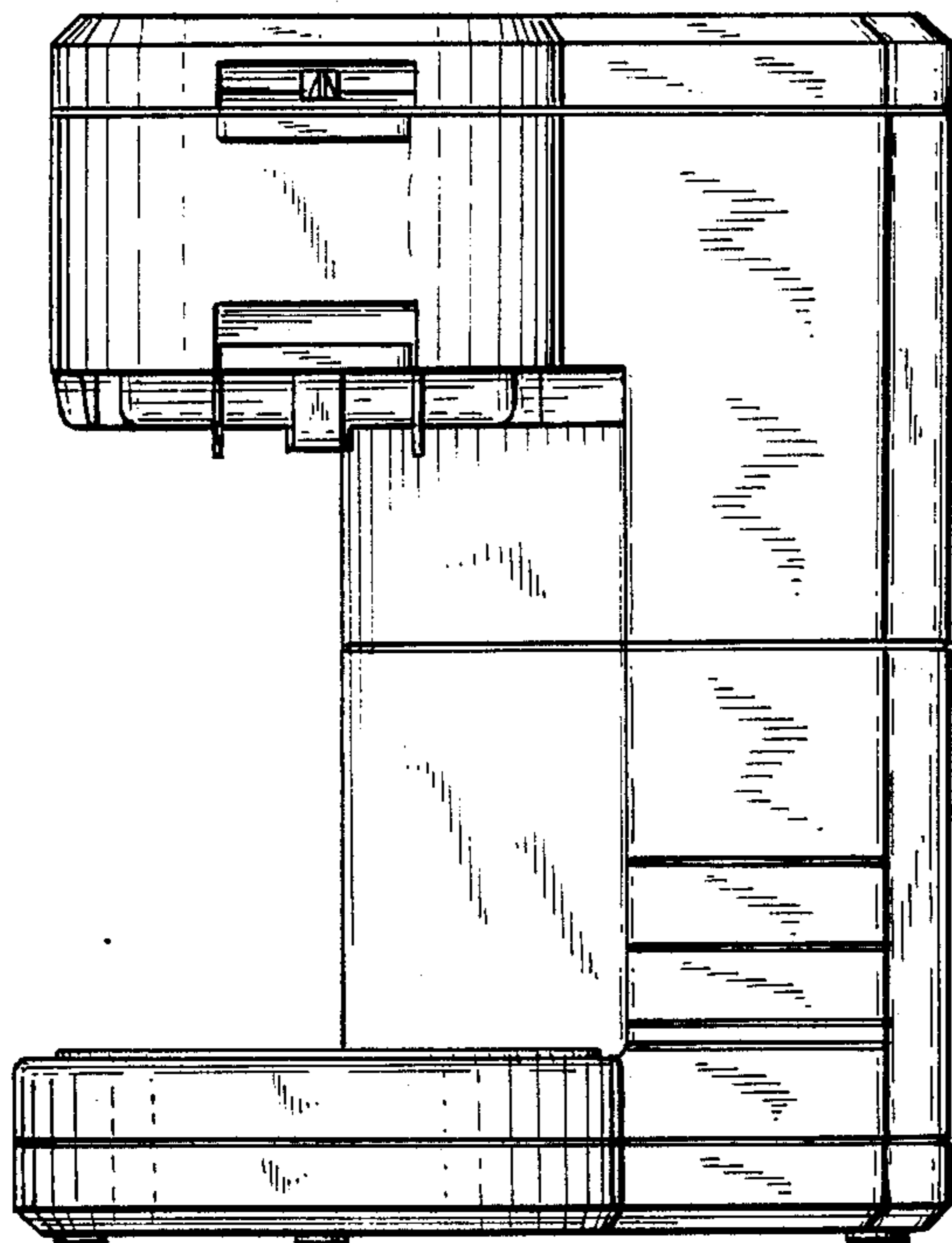


FIG. 2

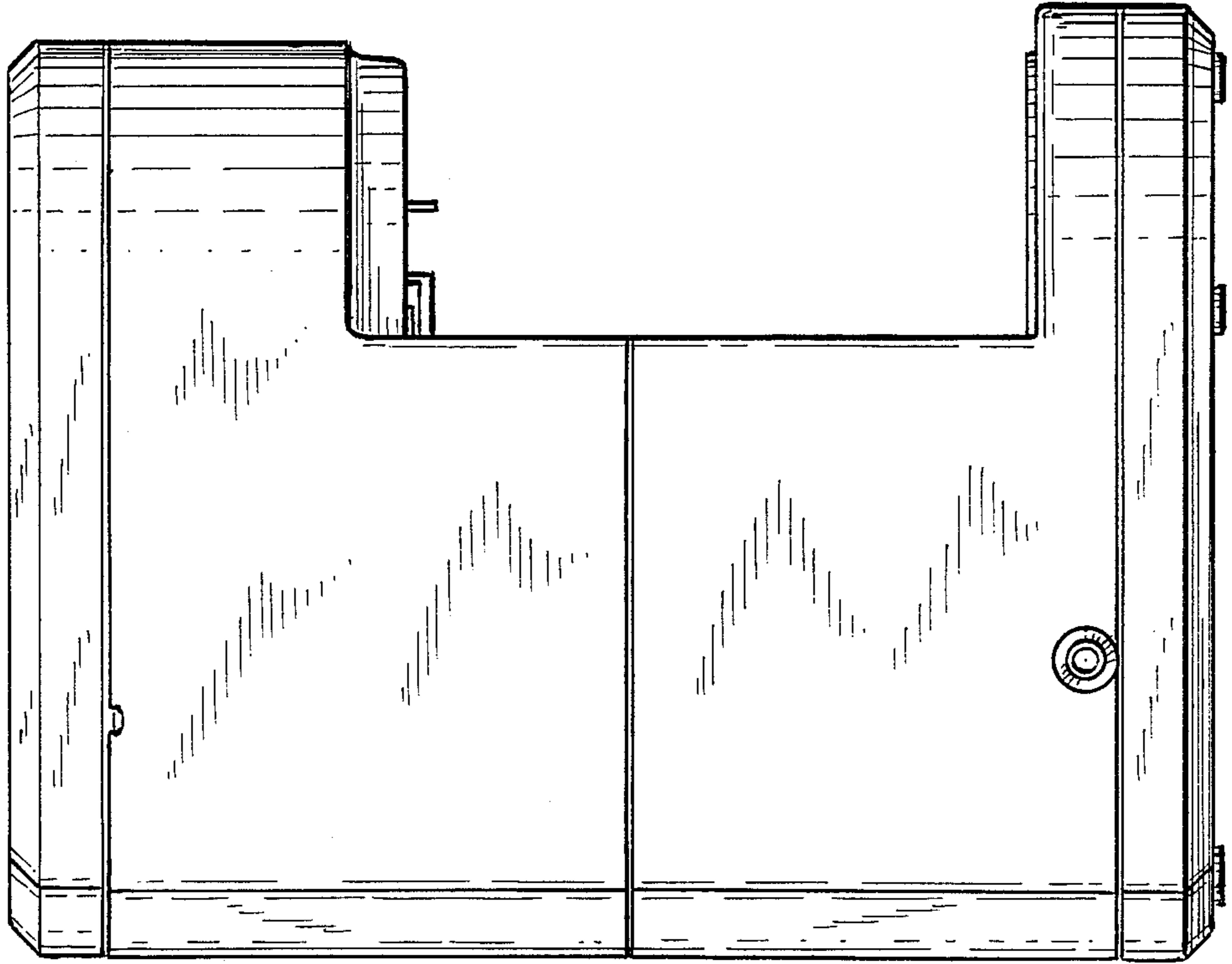


FIG. 1

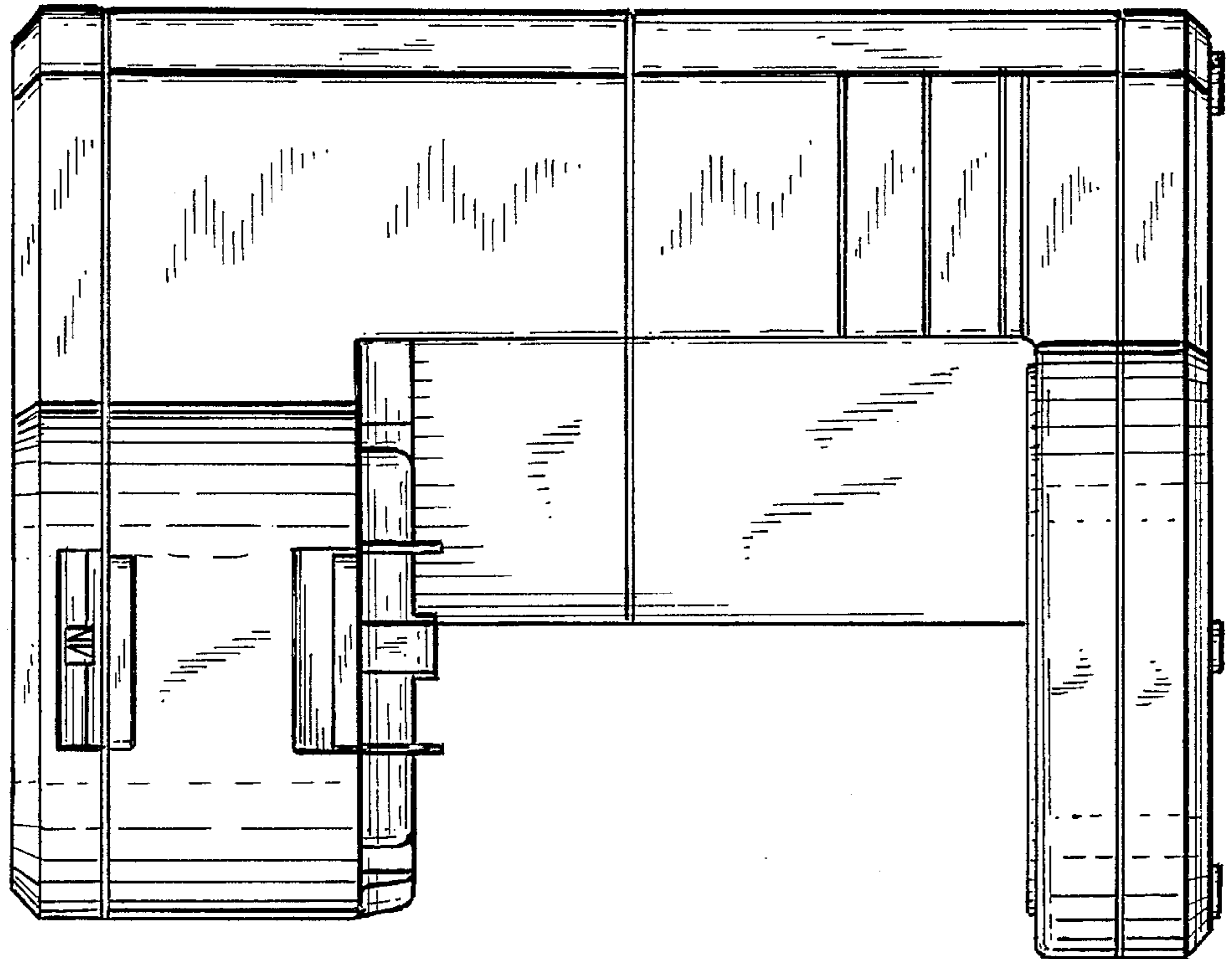


FIG. 3

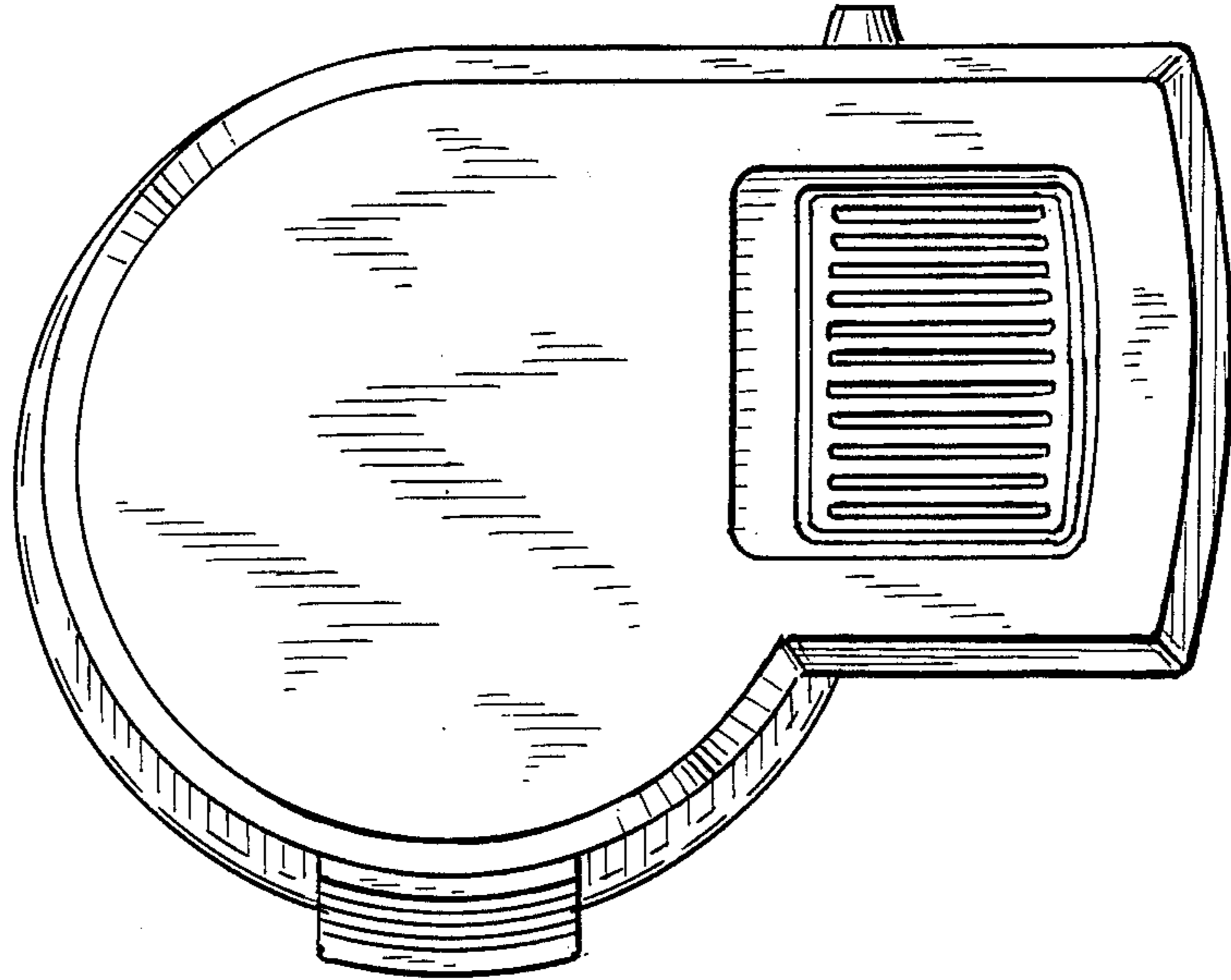


FIG. 4

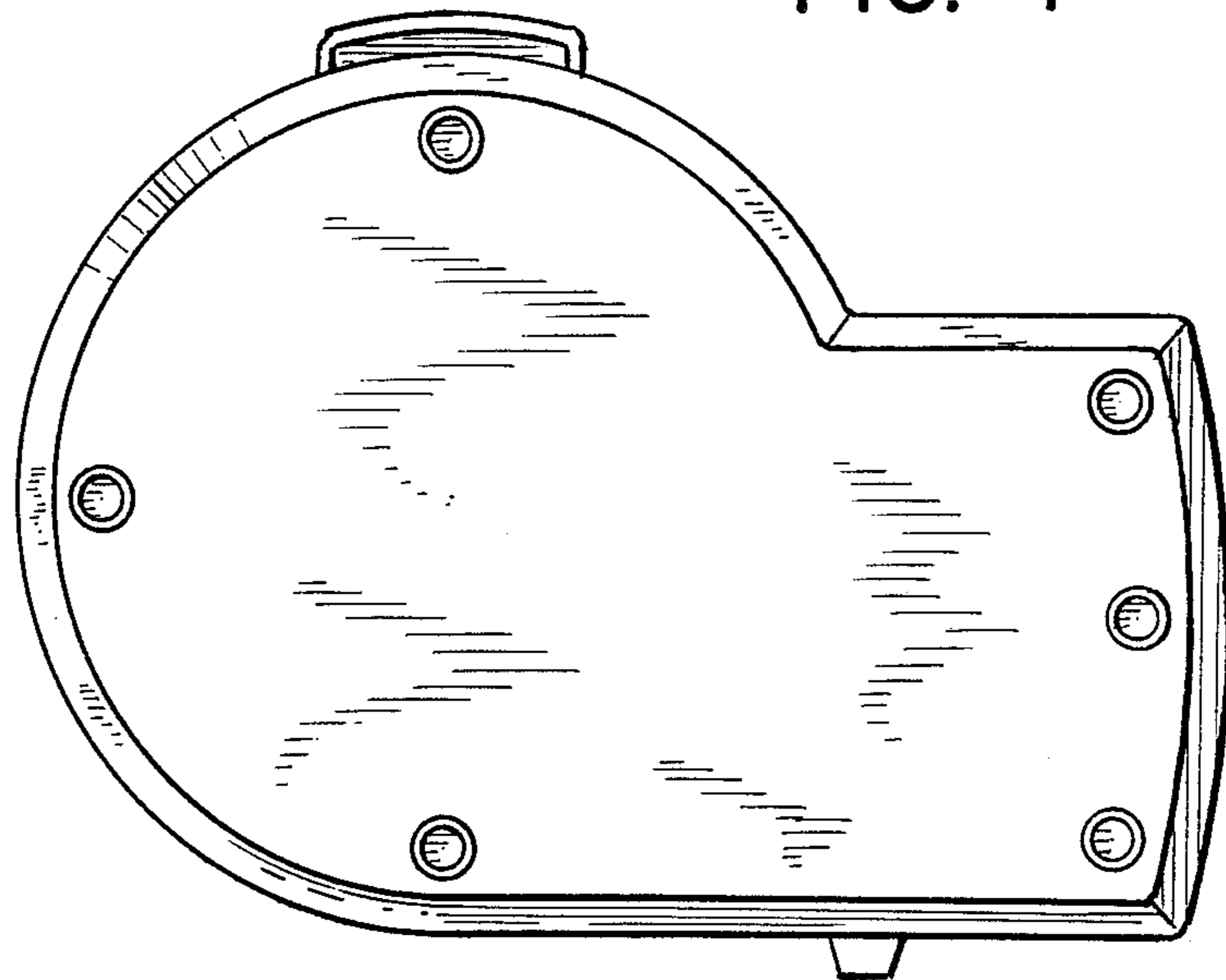


FIG. 6

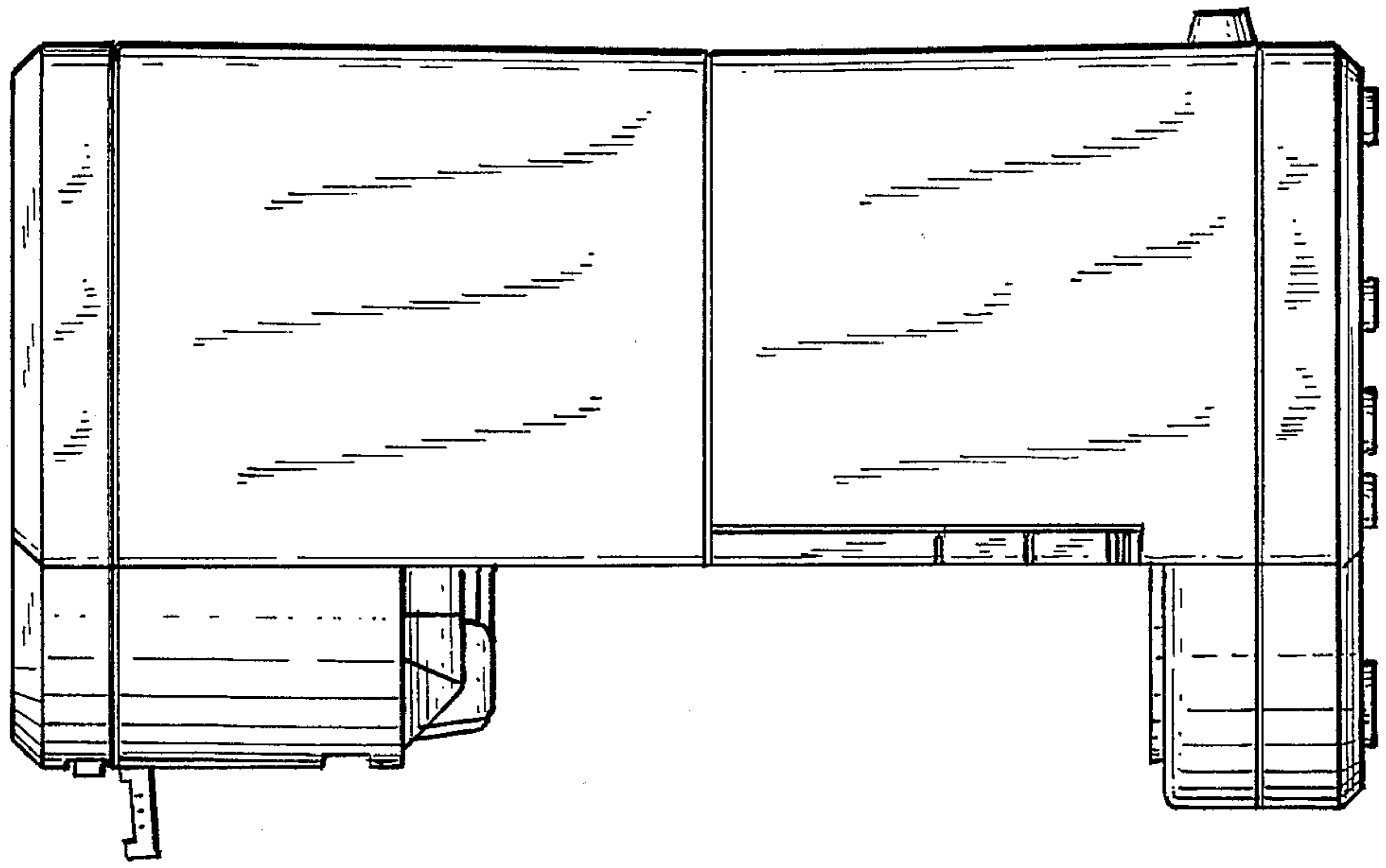


FIG. 5

