

[54] COFFEE MAKER

[75] Inventor: Aloysius J. M. Beeren, Haren, Netherlands

[73] Assignee: U.S. Philips Corporation, New York, N.Y.

[\*\*] Term: 14 Years

[21] Appl. No.: 905,992

[22] Filed: Sep. 10, 1986

[30] Foreign Application Priority Data

Mar. 13, 1986 [XB] Benelux ..... 60944-00

[52] U.S. Cl. .... D7/309; D7/311

[58] Field of Search ..... D7/306-309, D7/300, 305, 311, 397

[56] References Cited

U.S. PATENT DOCUMENTS

D. 87,654 8/1932 Vassos ..... D7/311

D. 139,232 10/1944 Timmis ..... D7/308  
D. 283,779 5/1986 Beeren ..... D7/309  
D. 299,998 2/1989 Seiffert ..... D7/311 X  
4,644,856 2/1987 Borgmann ..... D7/309 X

OTHER PUBLICATIONS

Design 420, Dec., 1983, p. 47, Rowenta's Split Level Espresso Drink Brewer.

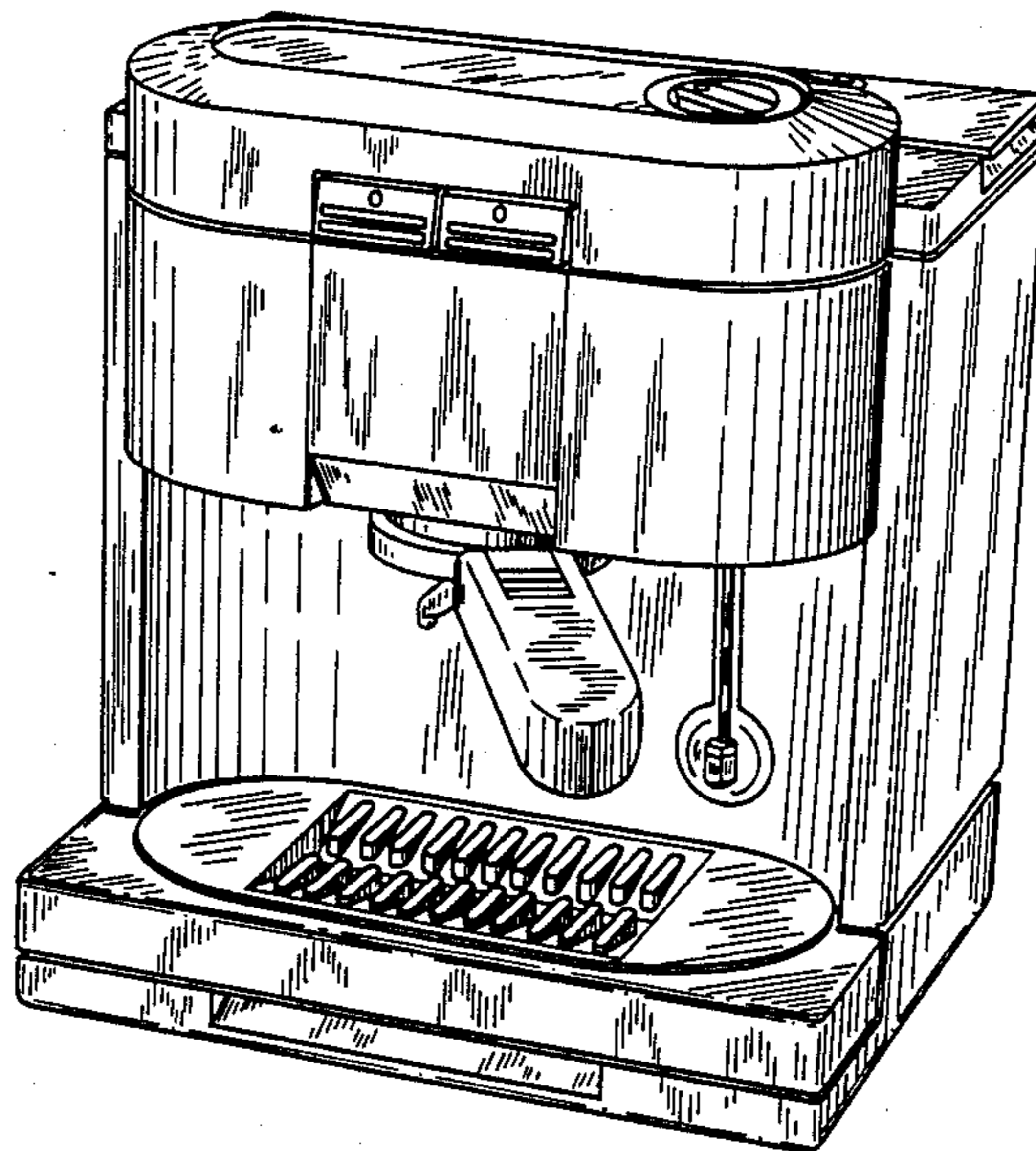
Primary Examiner—Winifred E. Herrmann

[57] CLAIM

The ornamental design for a coffee maker, as shown.

DESCRIPTION

FIG. 1 is a front, top and right side perspective view of a coffee maker showing my new design; FIG. 2 is a front elevational view thereof; FIG. 3 is a rear elevational view thereof; FIG. 4 is a top plan view thereof; FIG. 5 is a bottom plan view thereof; FIG. 6 is a right side elevational view thereof; and FIG. 7 is a left side elevational view thereof.



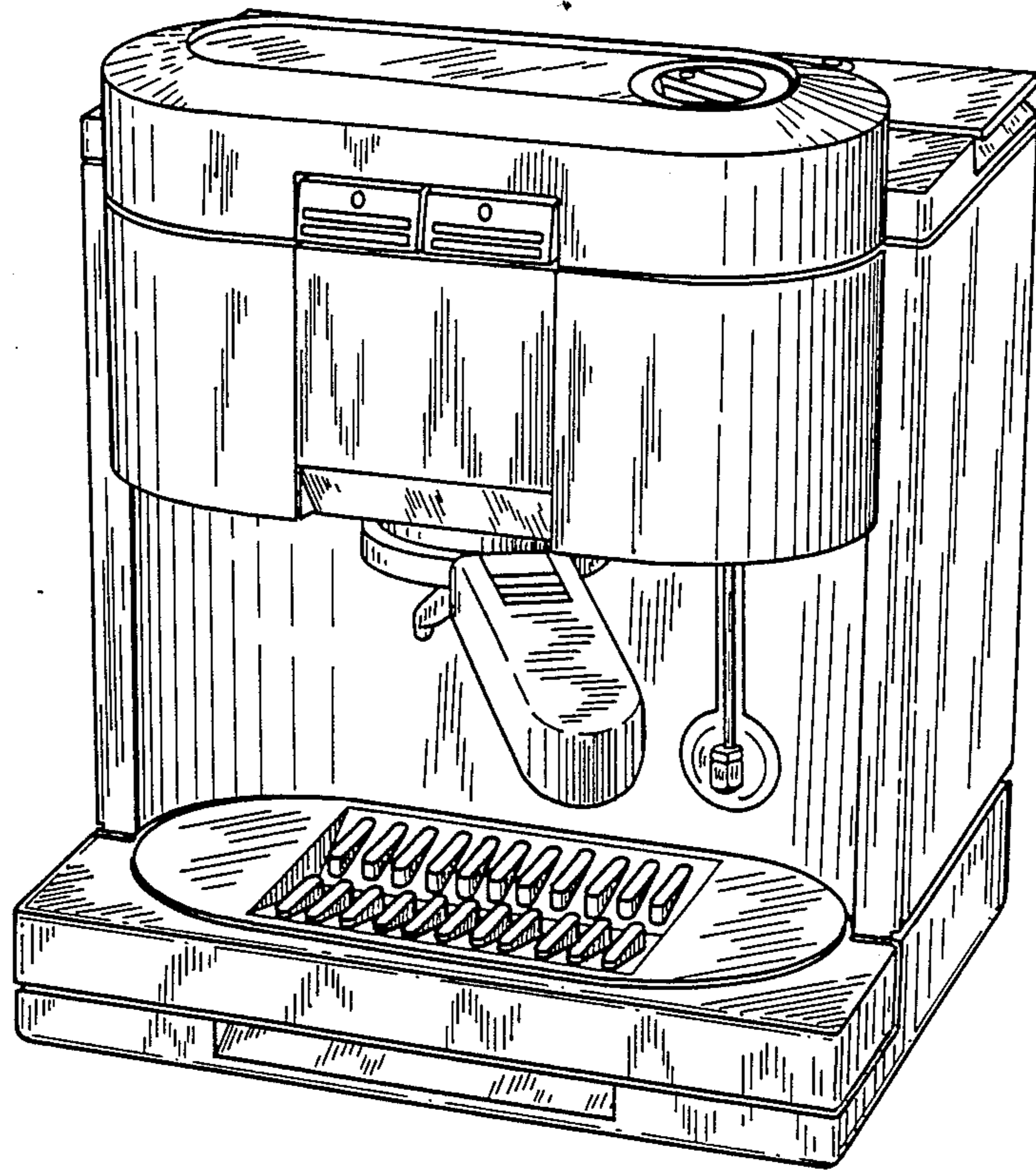


FIG.1

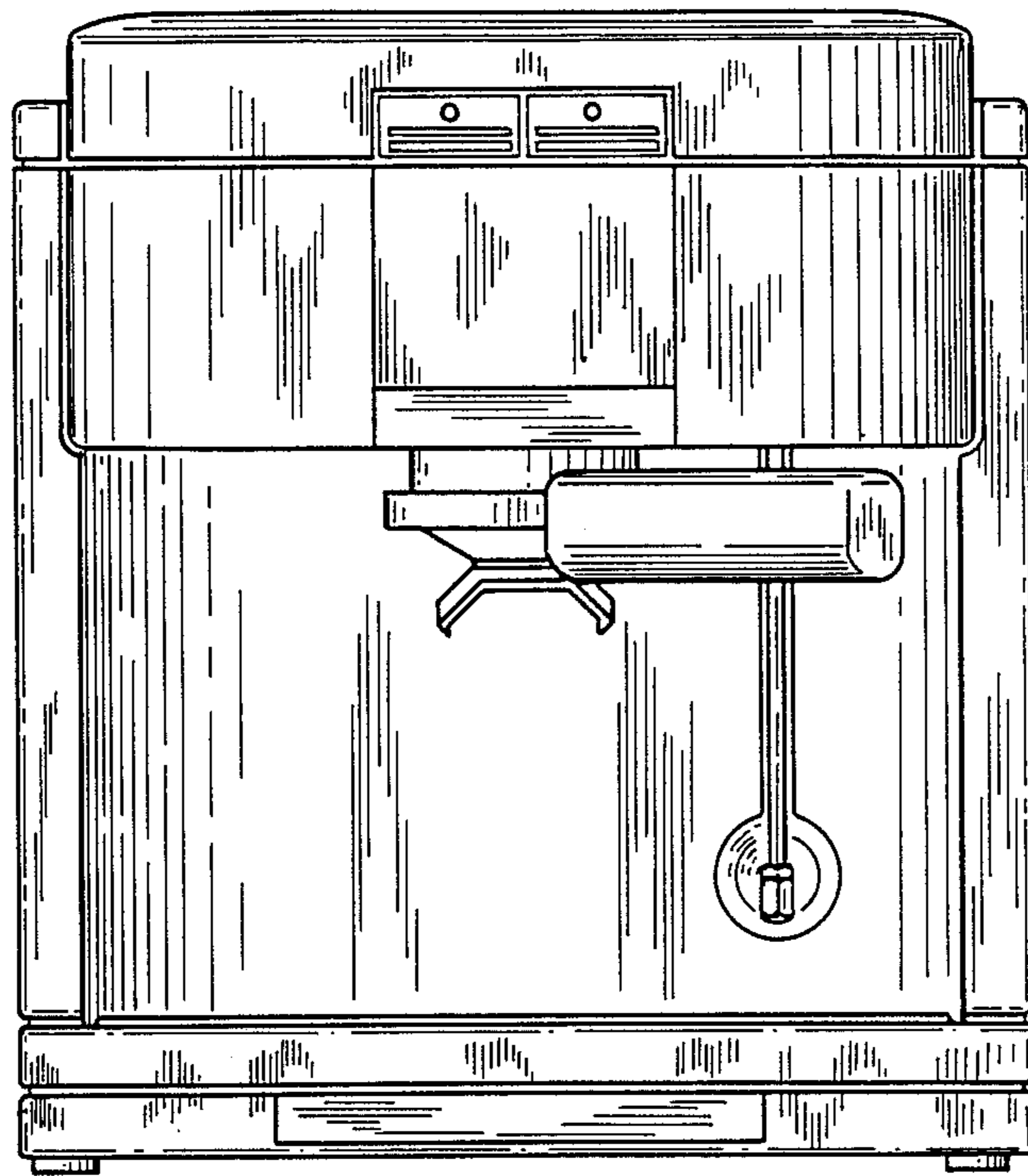


FIG. 2

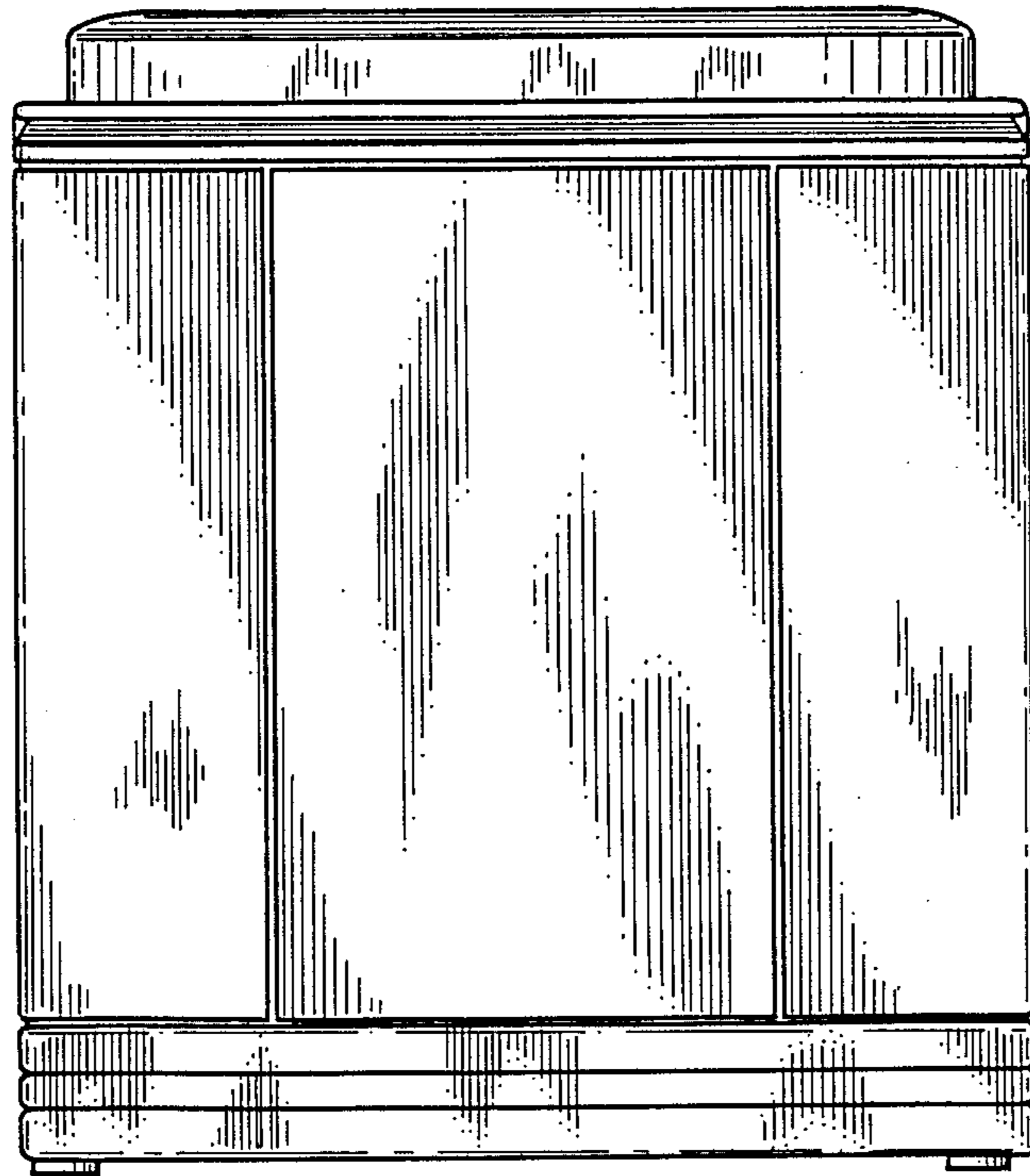


FIG. 3

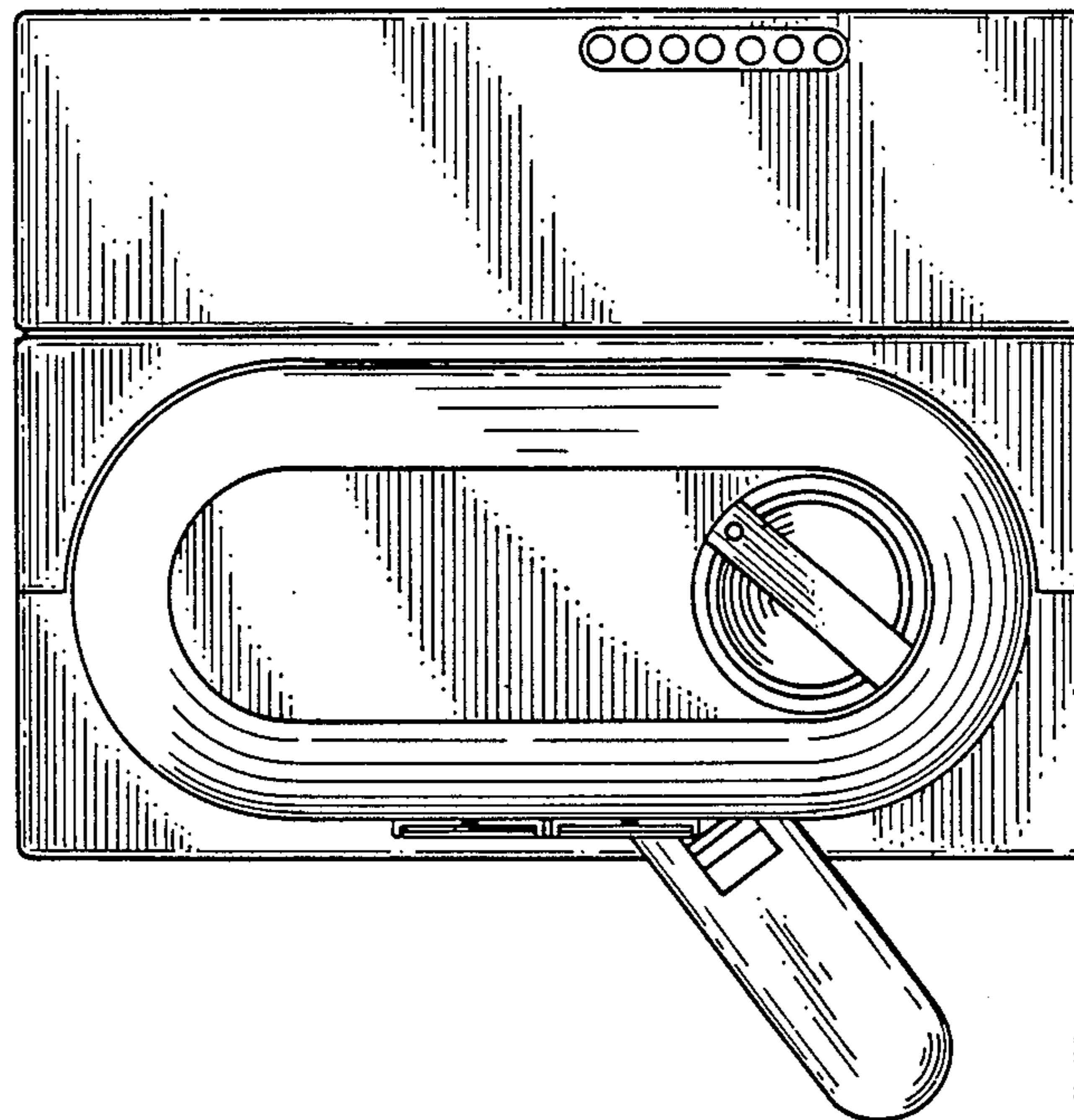


FIG. 4

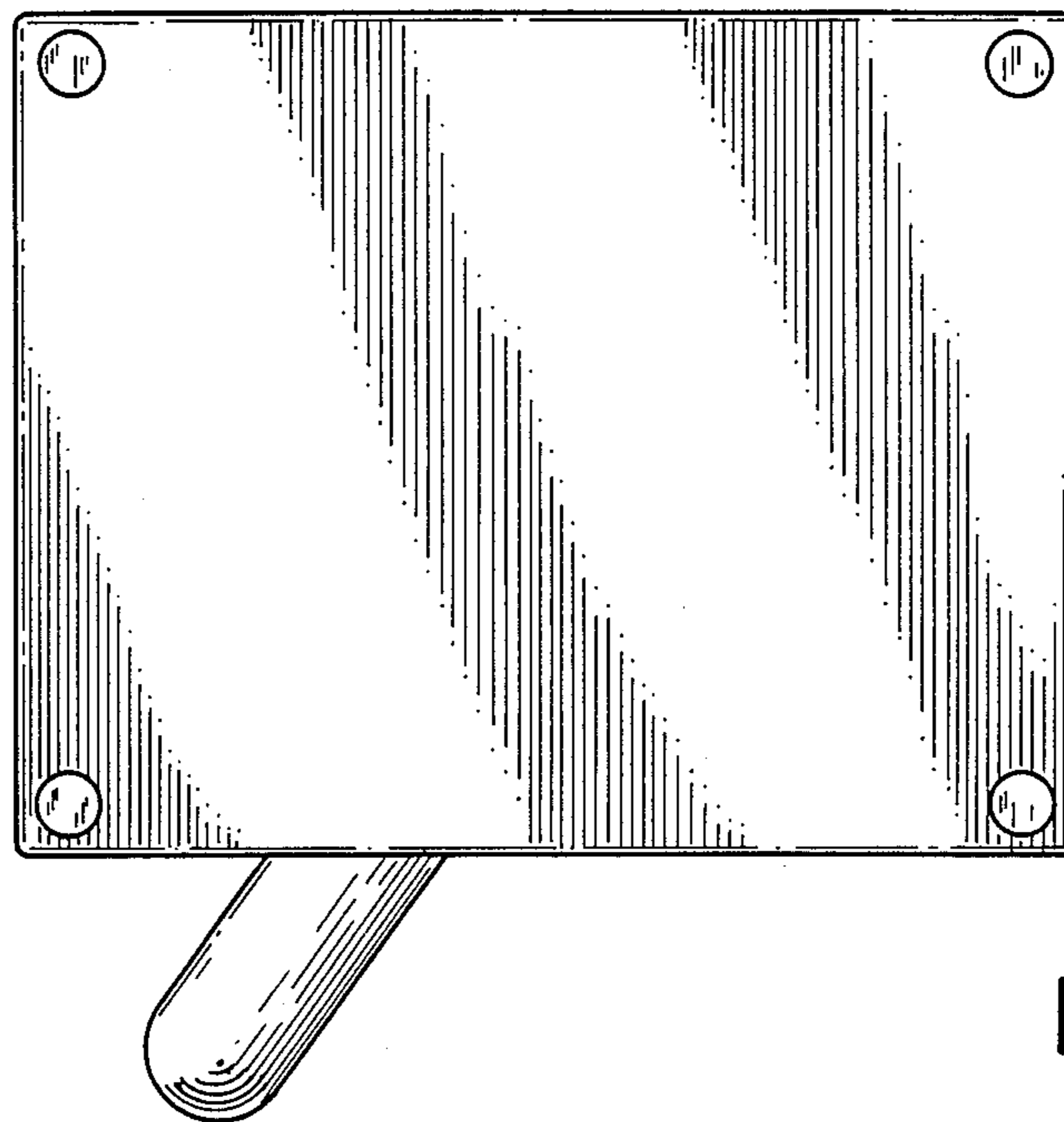


FIG. 5

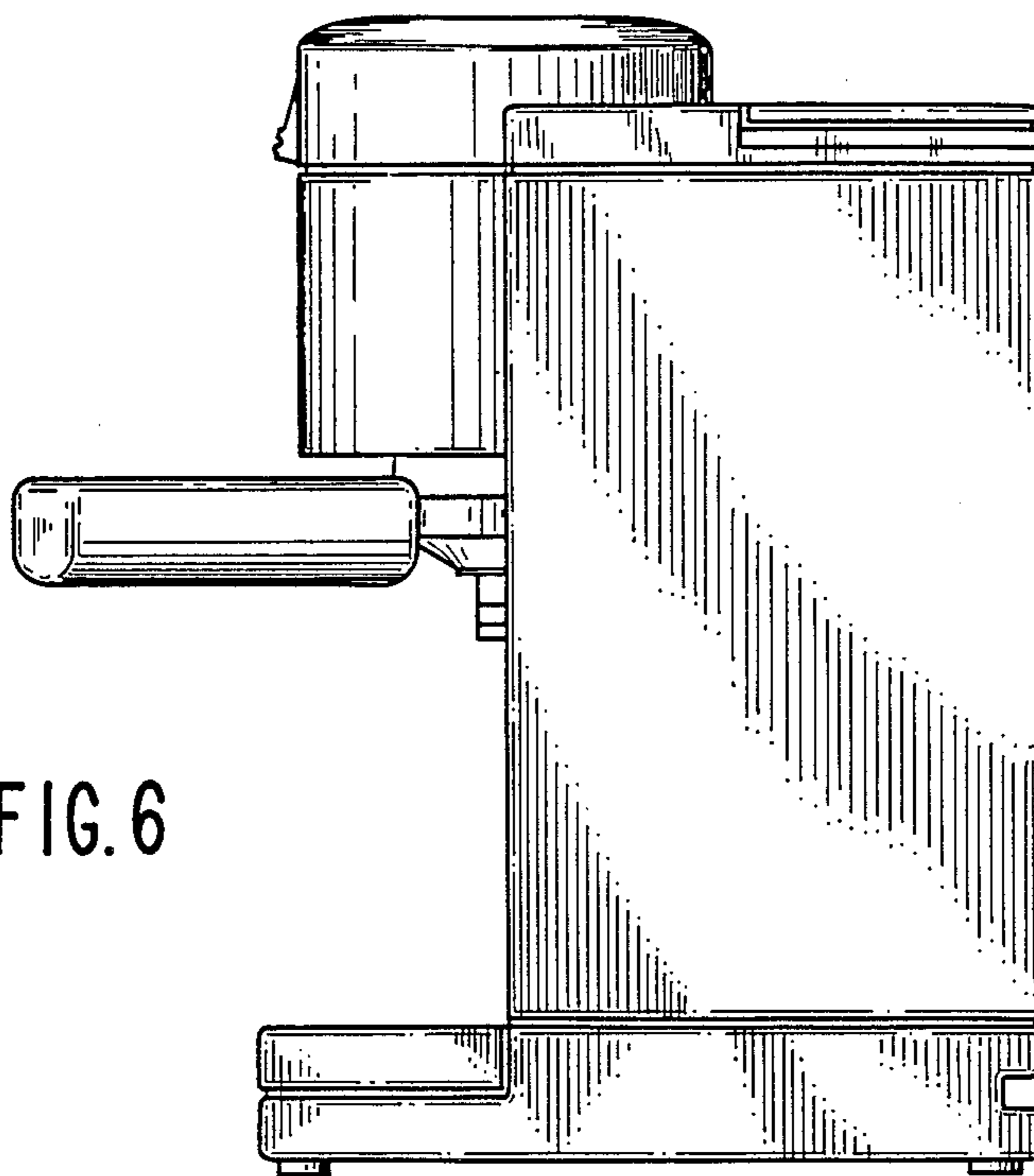


FIG. 6

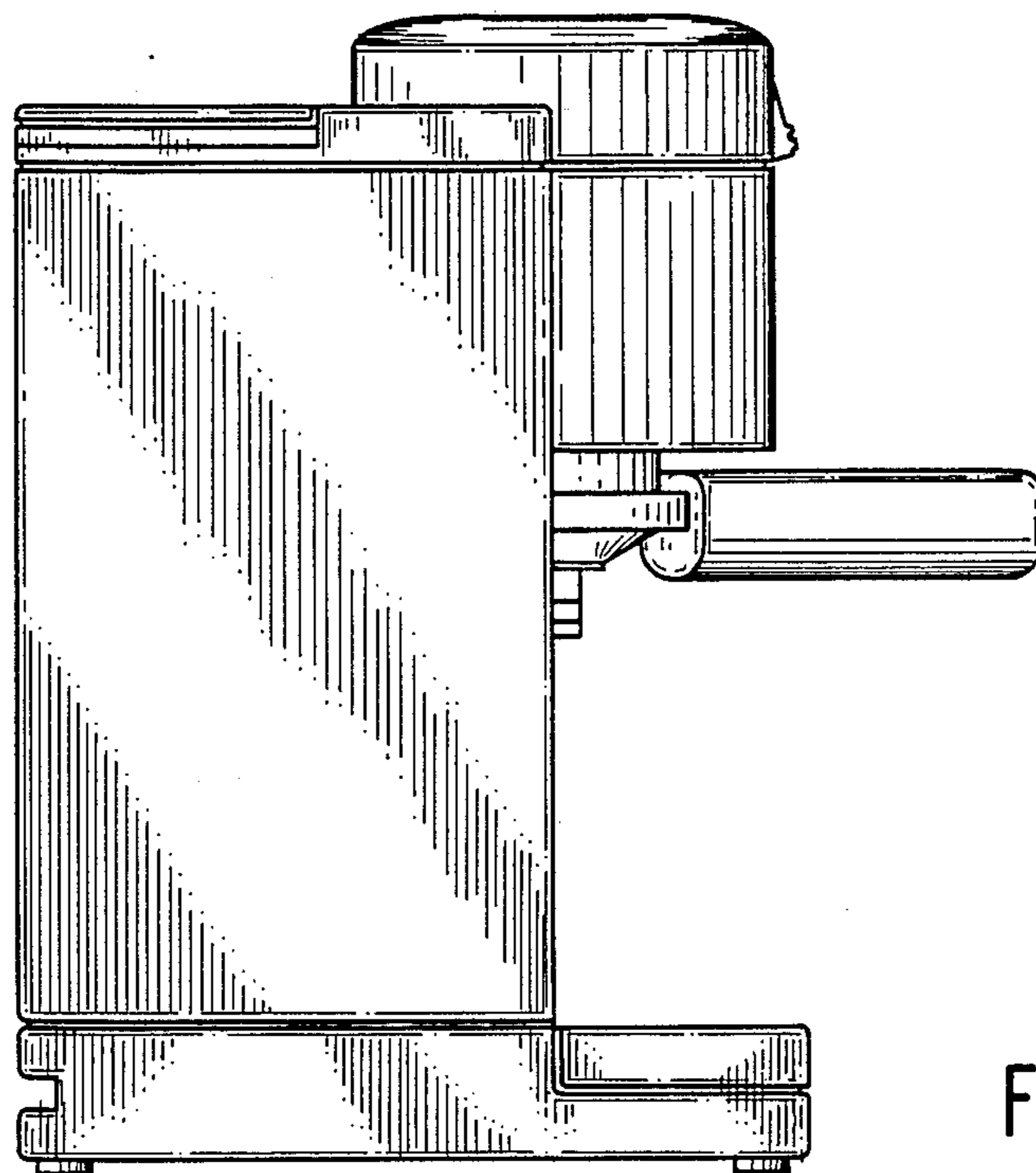


FIG. 7