

[54] BEVERAGE DISPENSER

[75] Inventor: Gregory Fossella, Boston, Mass.

[73] Assignee: Jet Spray Corp., Norwood, Mass.

[**] Term: 14 Years

[21] Appl. No.: 873,338

[22] Filed: Jun. 12, 1986

[52] U.S. Cl. D7/308; D7/311

[58] Field of Search D7/311, 308, 309, 310,
D7/313, 305, 306, 307

[56] References Cited

U.S. PATENT DOCUMENTS

D. 231,808	6/1974	Fossella	D7/311
D. 233,271	10/1974	Holcomb	D7/308
D. 250,536	12/1978	Bourke	D7/308
D. 256,020	7/1980	Swanson	D7/308

OTHER PUBLICATIONS

Jet Spray® *Buyer's Guide*, ©1983, bottom row—"Jet Tribank®" and Jet Twinbank®/left 2 dispensers.

Dripcut® *Corporation*—*Starline*® Beverage Dispenser Flyer, p. 1, top right and top center dispensers.

Primary Examiner—Winifred E. Herrmann

Attorney, Agent, or Firm—Wolf Greenfield & Sacks

[57] CLAIM

The ornamental design for a beverage dispenser, as shown and described.

DESCRIPTION

FIG. 1 is a top, front, and right side perspective view of a beverage dispenser showing my new design;

FIG. 2 is a left side elevational view thereof;

FIG. 3 is a front elevational view thereof;

FIG. 4 is a rear elevational view thereof;

FIG. 5 is a top plan view thereof; and

FIG. 6 is a bottom plan view thereof.

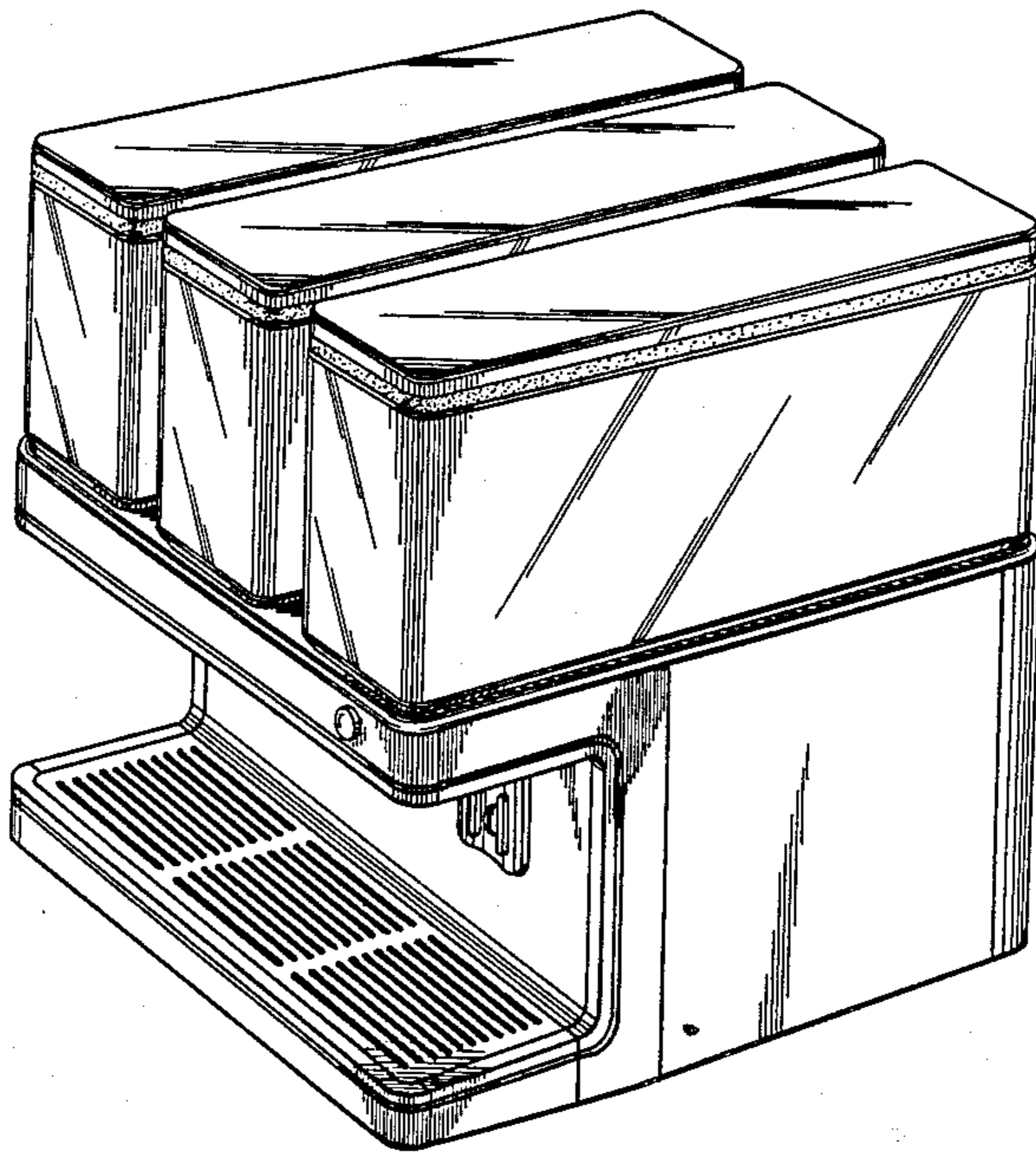


Fig. 1

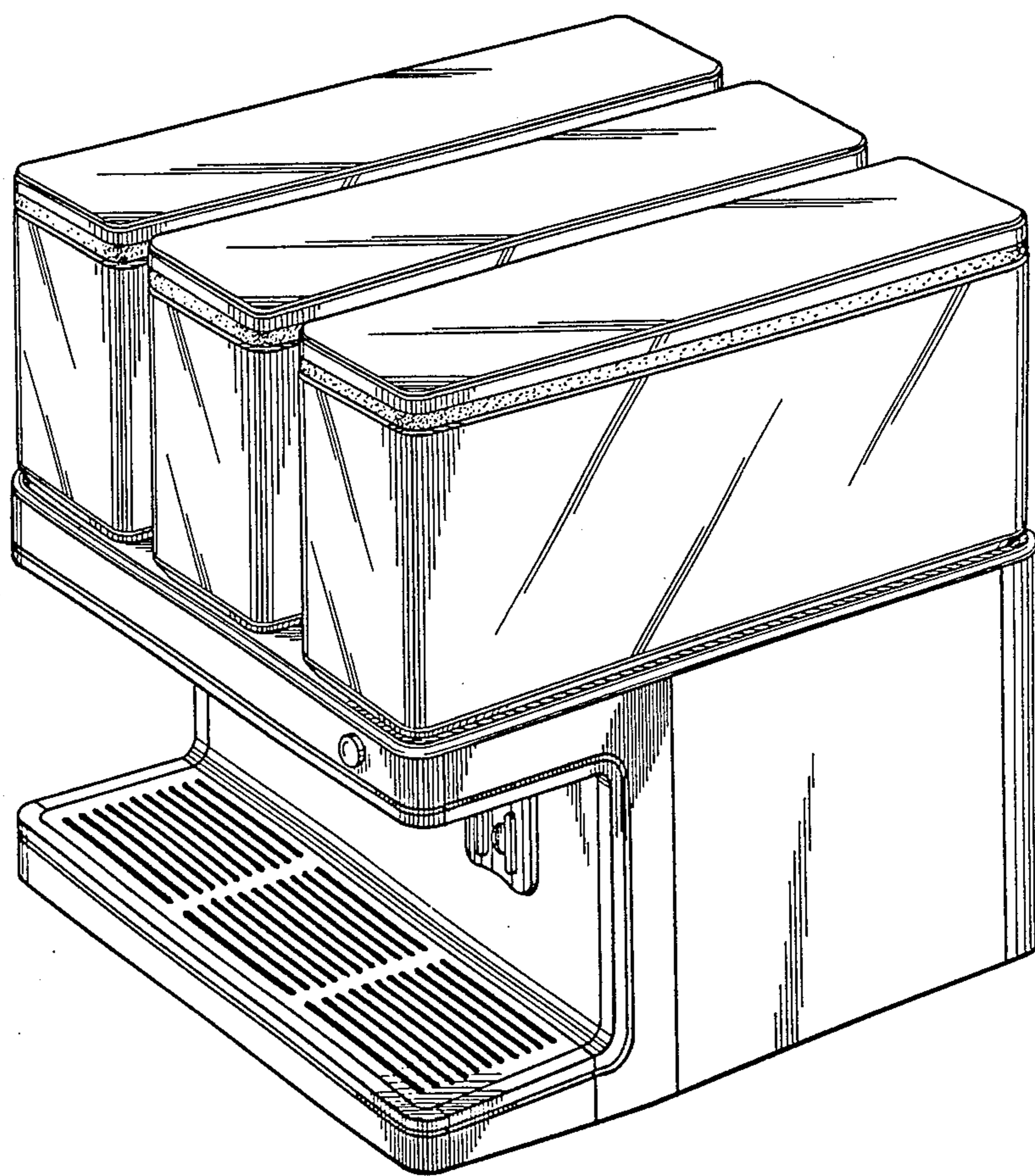


Fig. 2

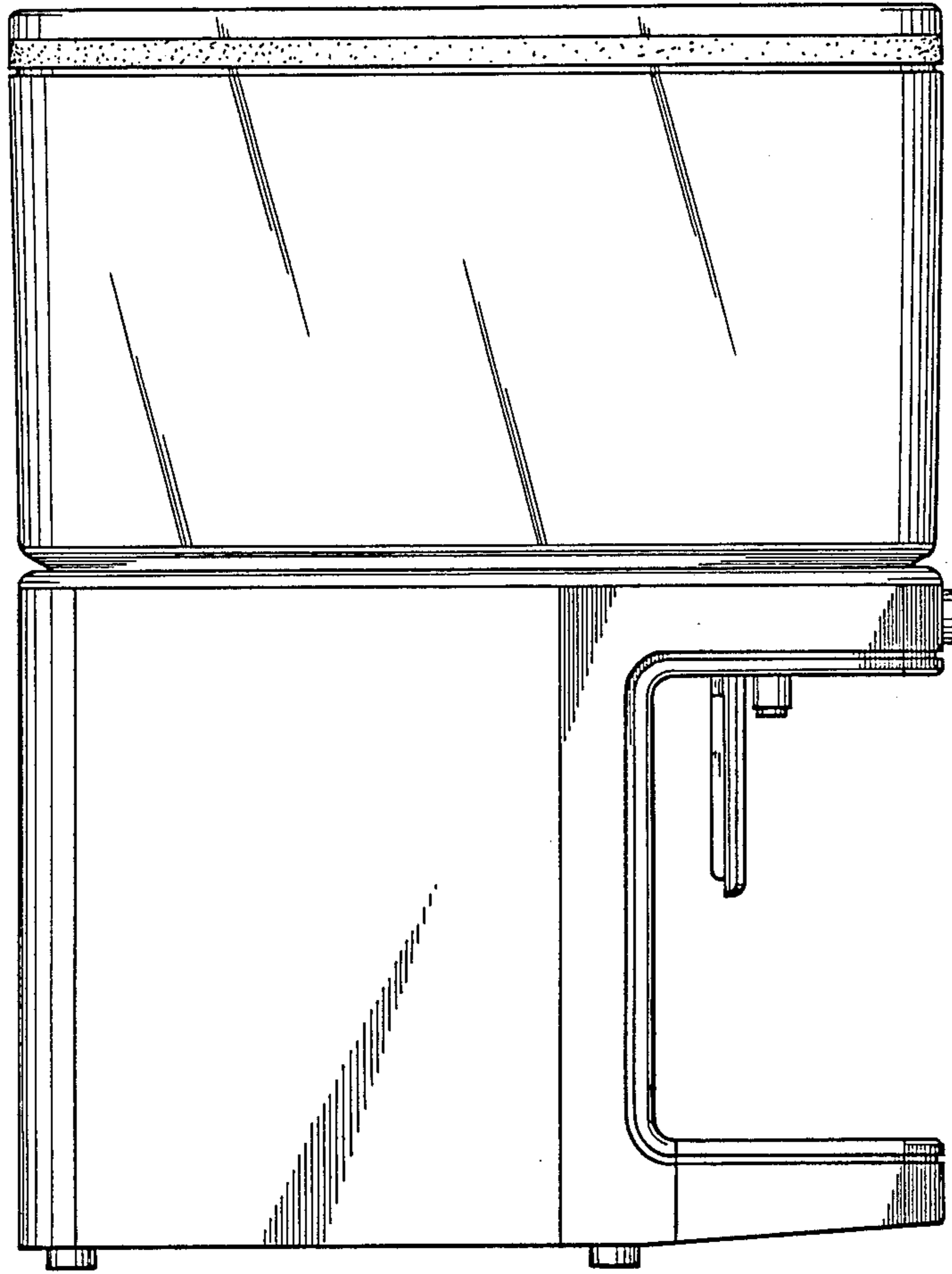


Fig. 3

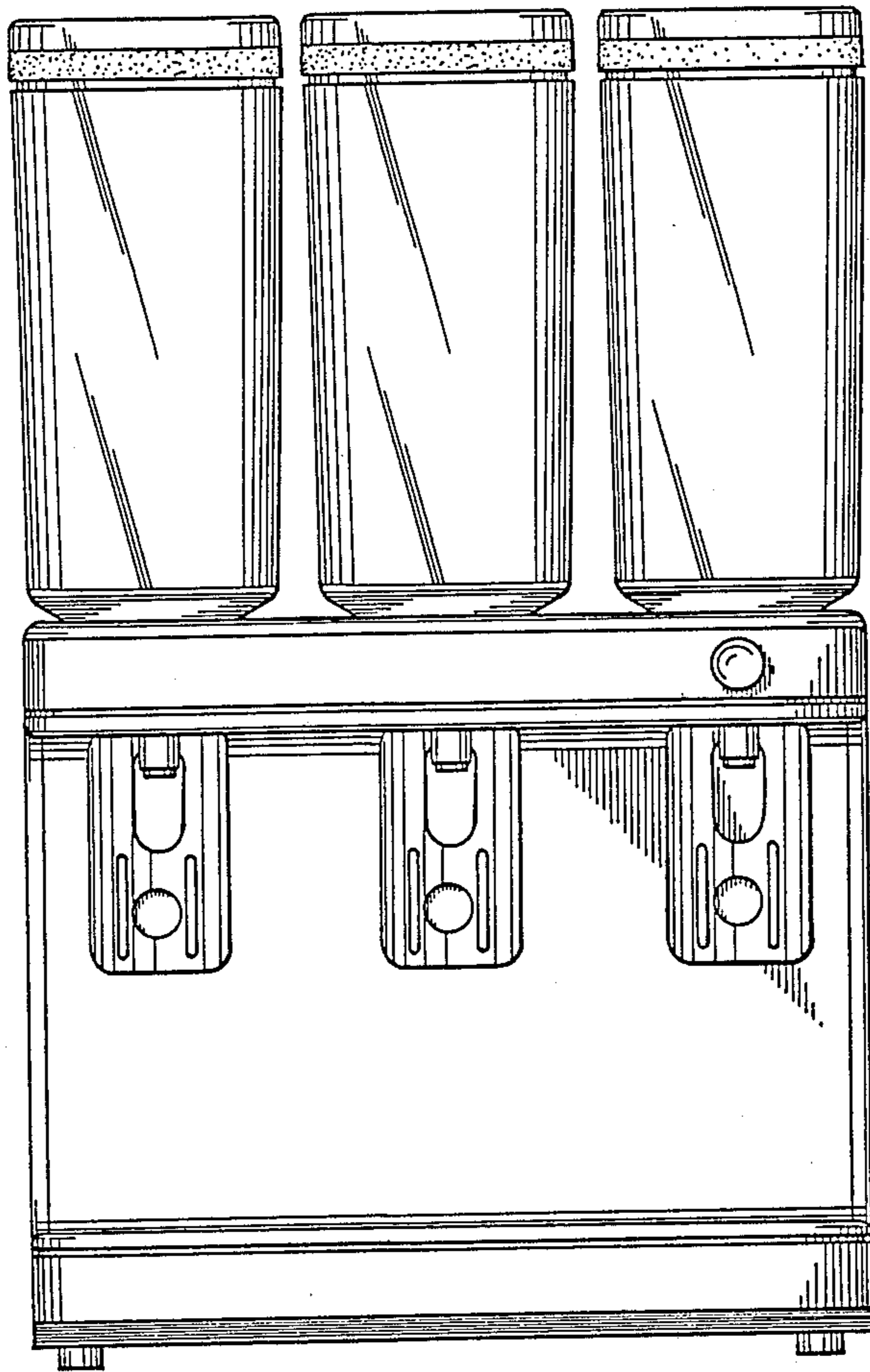
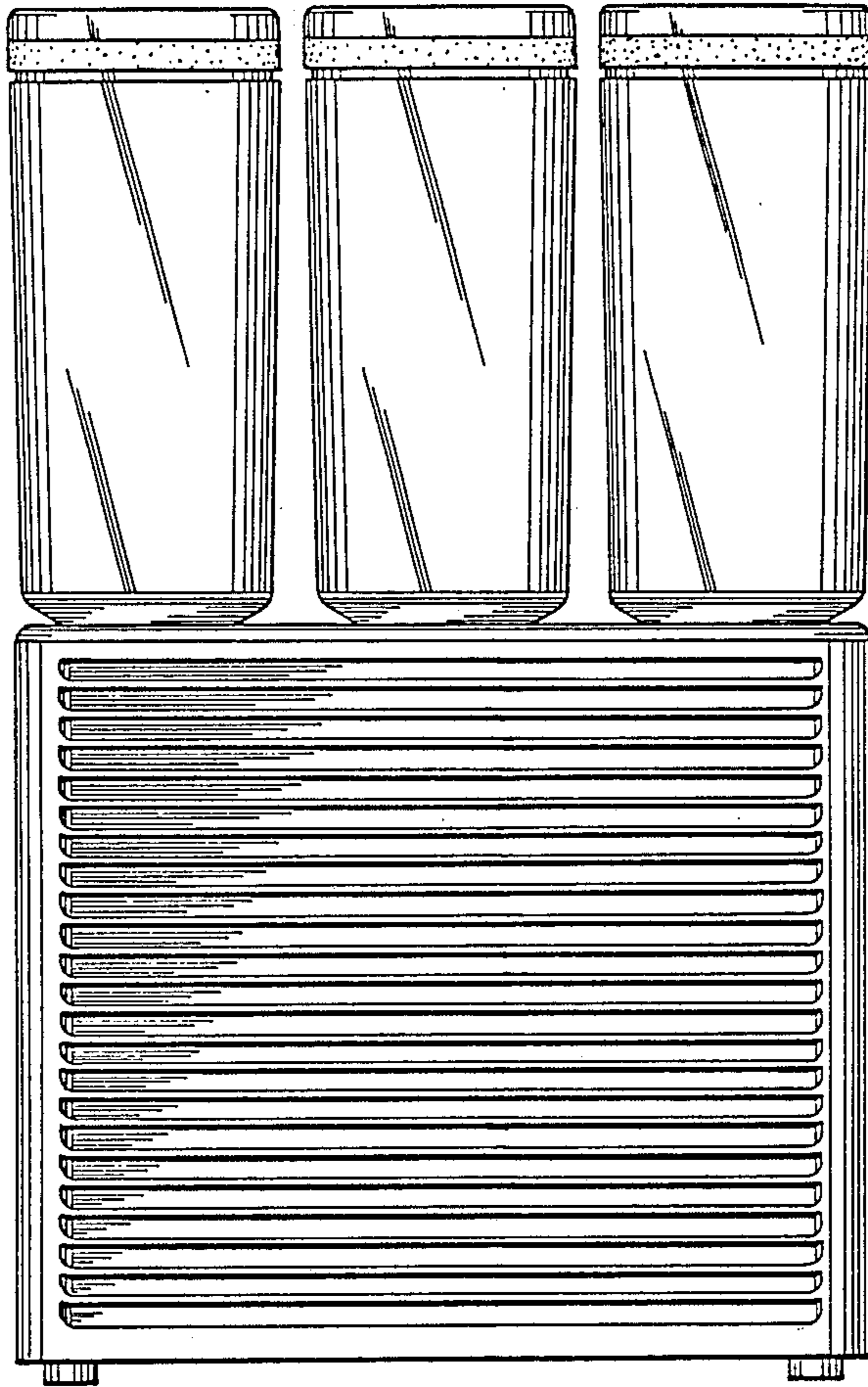


Fig. 4



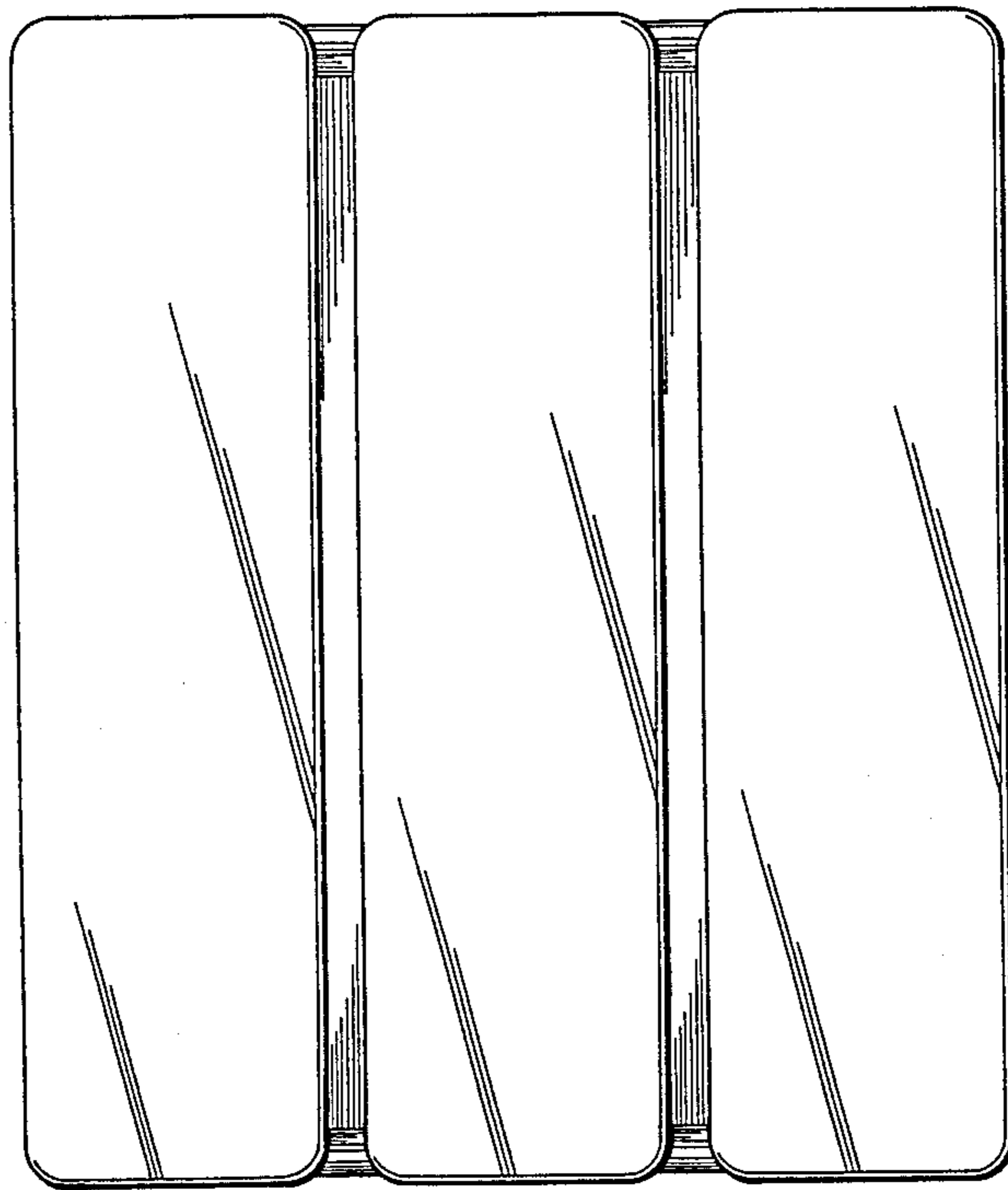


Fig. 5

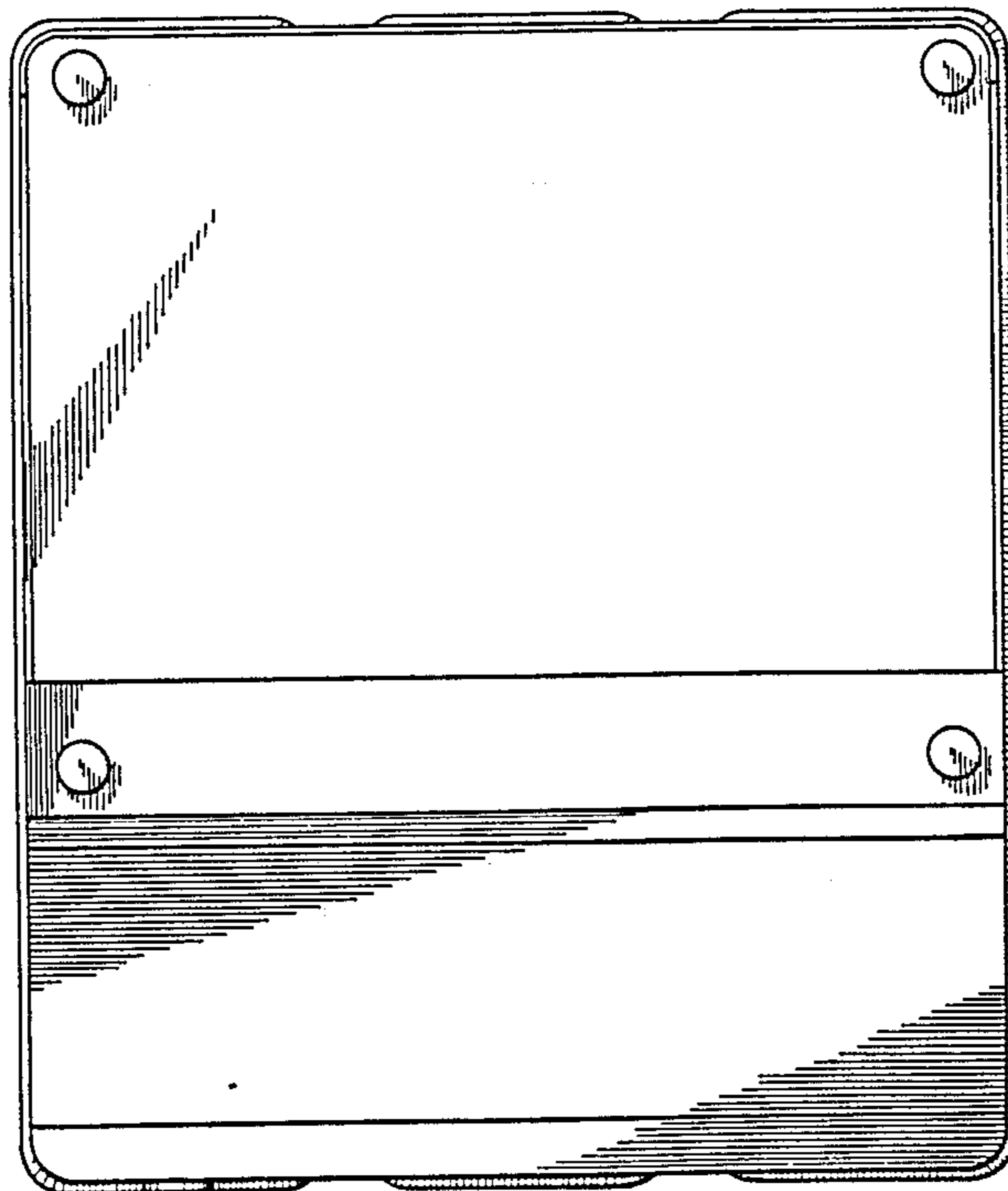


Fig. 6