

[54] COMBINED WINE AND GLASS RACK

[76] Inventor: Leonard A. Wagner, 1903-B Peppertree St., Durham, N.C. 27705

[\*\*] Term: 14 Years

[21] Appl. No.: 4,698

[22] Filed: Jan. 20, 1987

[52] U.S. Cl. .... D6/514; D6/469; D7/71

[58] Field of Search ..... D7/70, 71; D6/469, 467, D6/513, 514; 211/71, 74, 75, 113; 248/311.2, 317

[56] References Cited

U.S. PATENT DOCUMENTS

D. 273,446 4/1984 Rankin et al. .... D7/71 X  
3,365,260 1/1968 Saxon ..... 211/74 X

OTHER PUBLICATIONS

1966 Christmas catalogue, Bruce Bolind, Division of Blind, Inc., p. 30.

Autumn, 1986 catalogue of Cooking Tools and Gourmet Gadgets, vol. XI, No. 4, published by Wooden Spoon, Inc., p. 24.

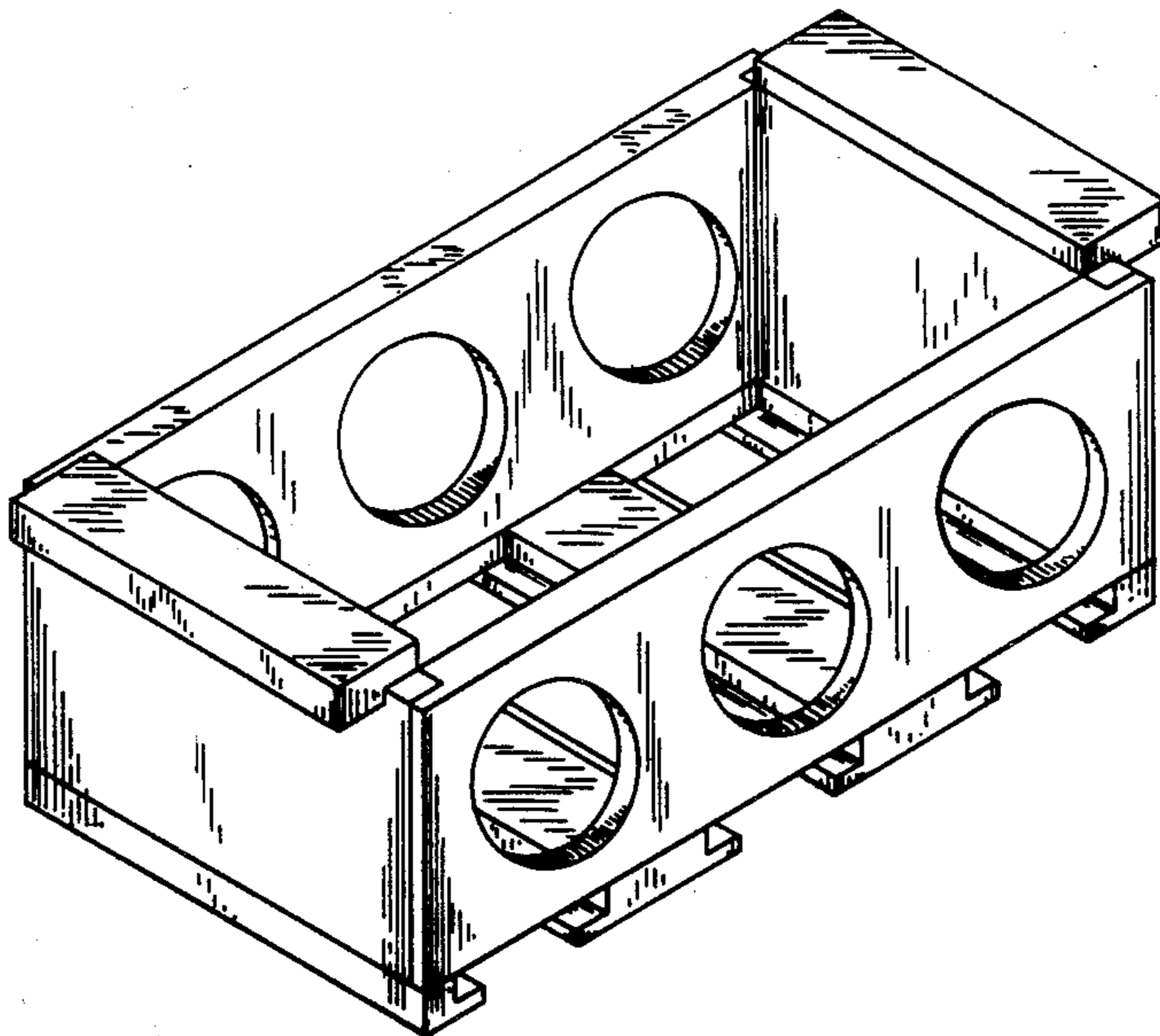
Primary Examiner—Bernard Ansher  
Assistant Examiner—Terry A. Pfeffer  
Attorney, Agent, or Firm—Steven J. Hultquist

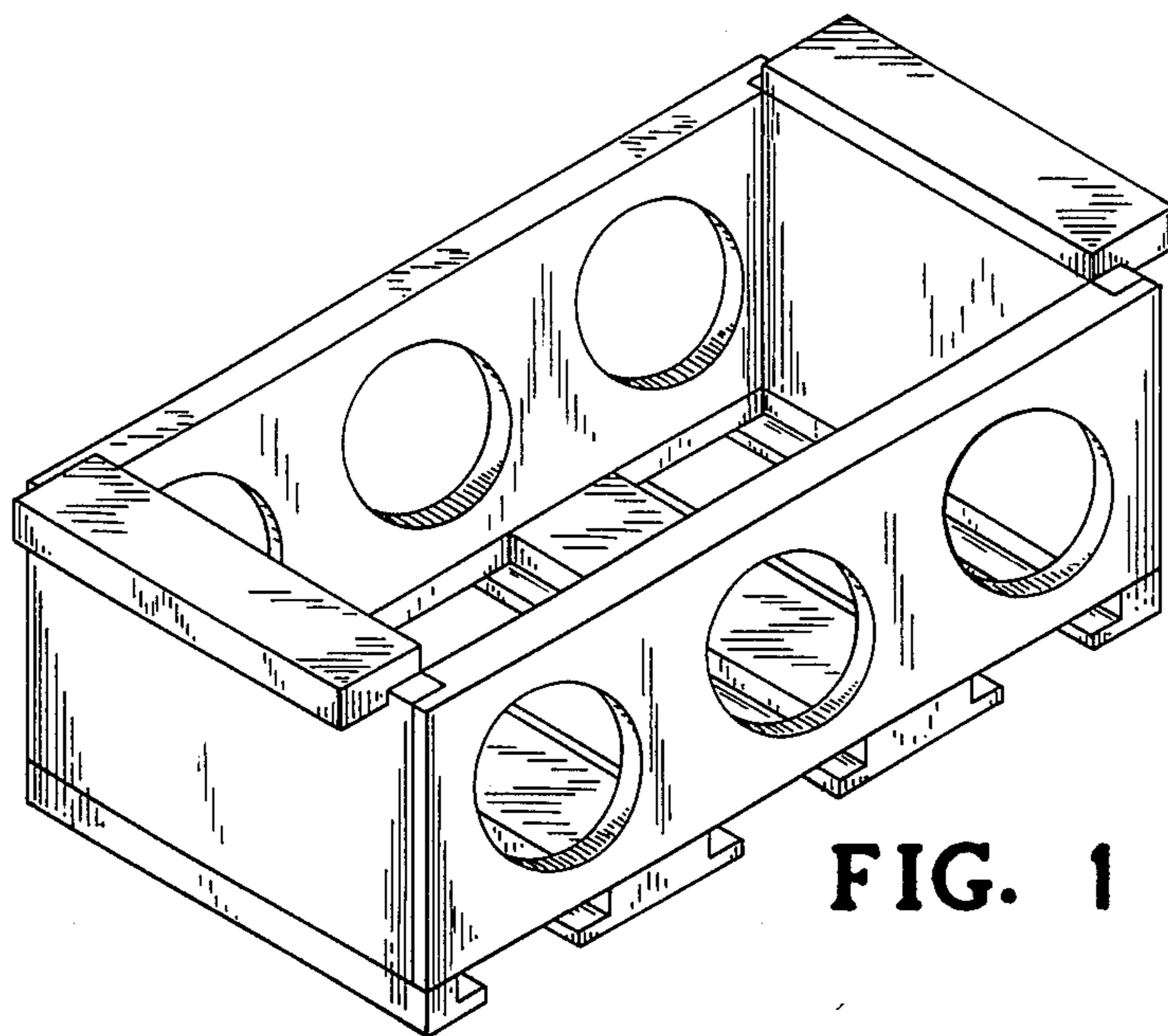
[57] CLAIM

The ornamental design for a combined wine and glass rack, as shown and described.

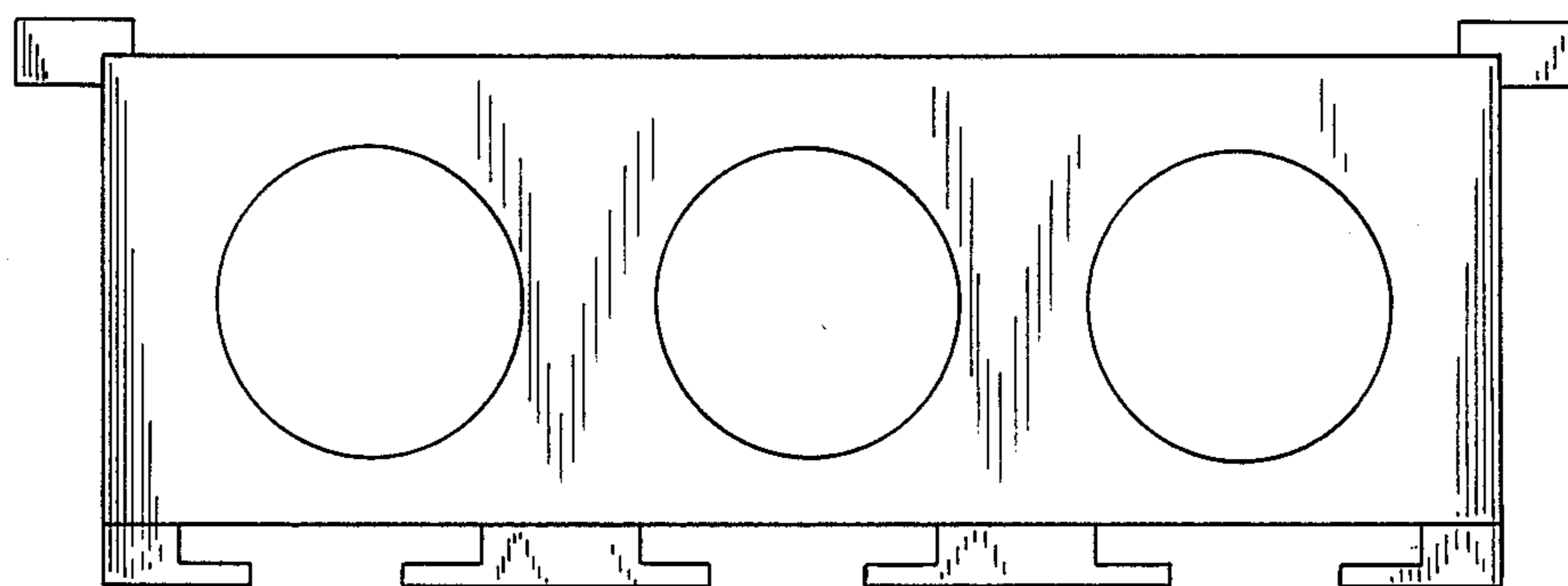
DESCRIPTION

FIG. 1 is a perspective view of a combined wine and glass rack showing my new design; FIG. 2 is a front elevational view thereof; FIG. 3 is a rear elevational view thereof; FIG. 4 is a bottom plan view thereof; FIG. 5 is a top plan view thereof; and FIG. 6 is a side elevational view thereof.

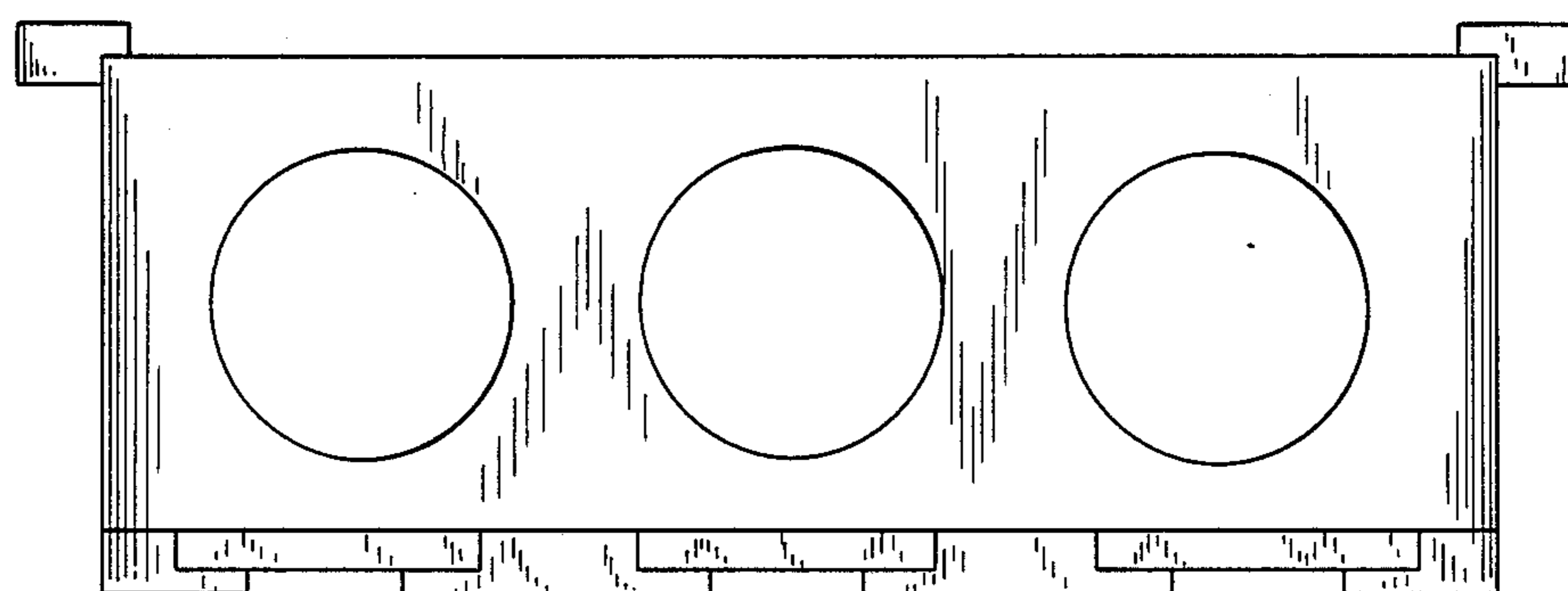




**FIG. 1**



**FIG. 2**



**FIG. 3**

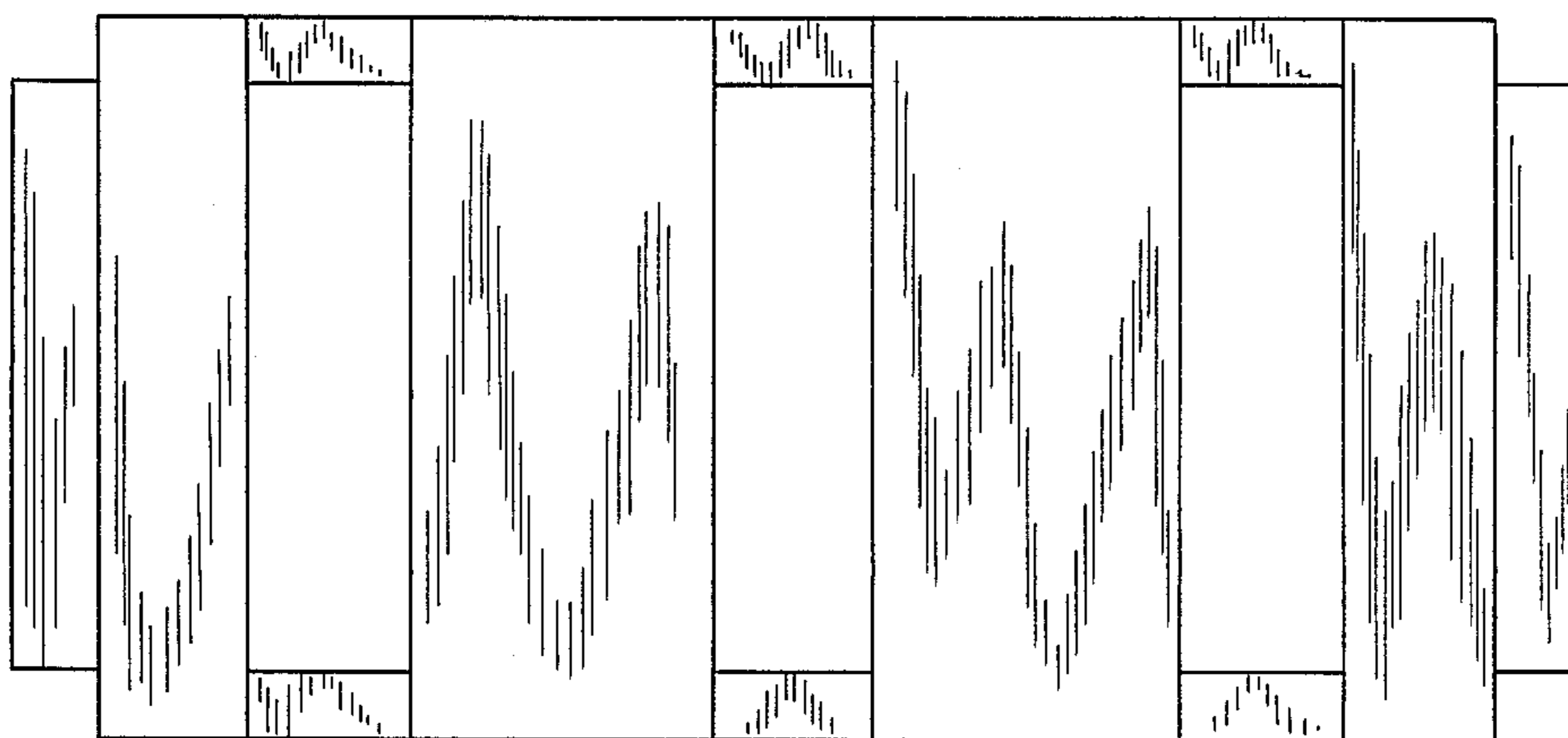


FIG. 4

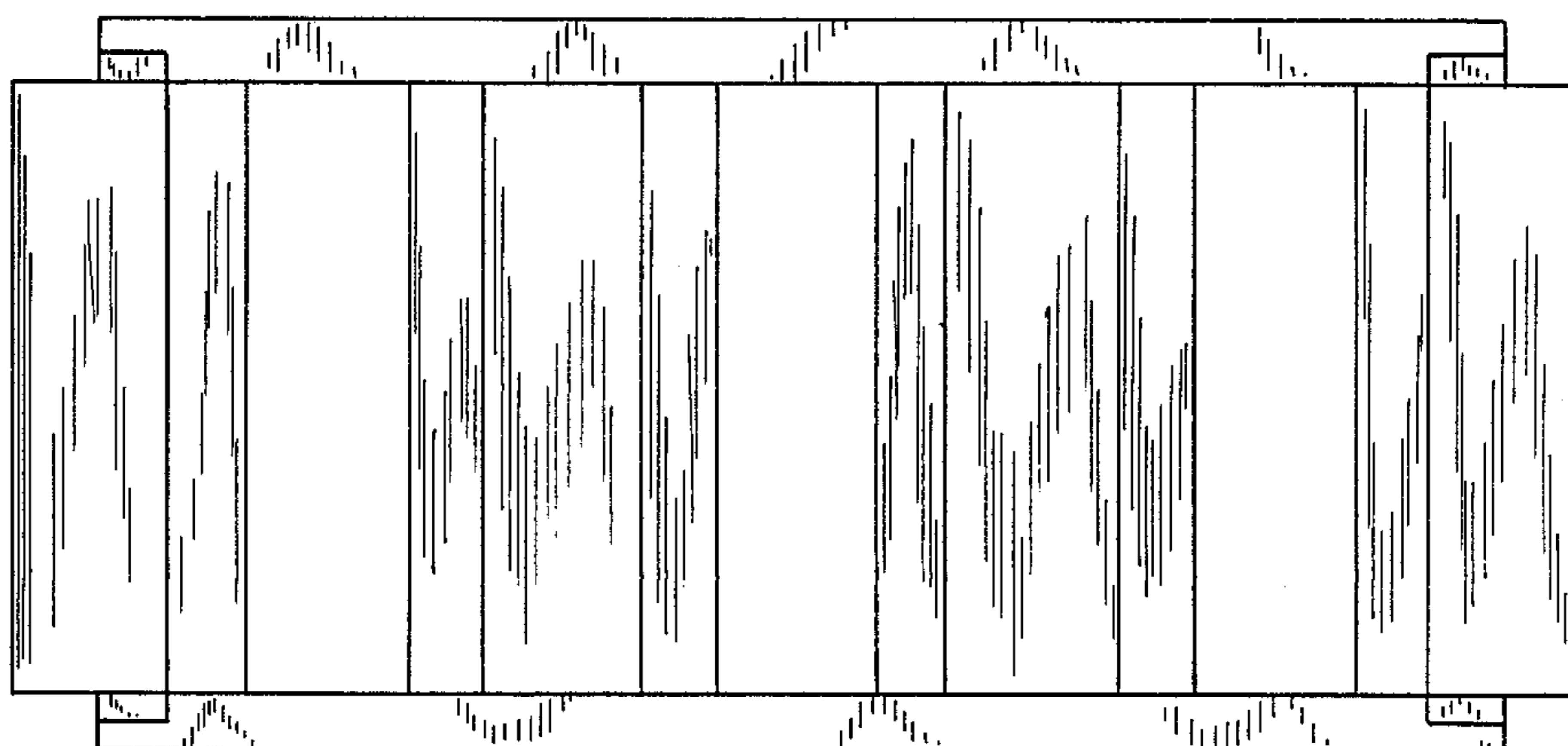


FIG. 5

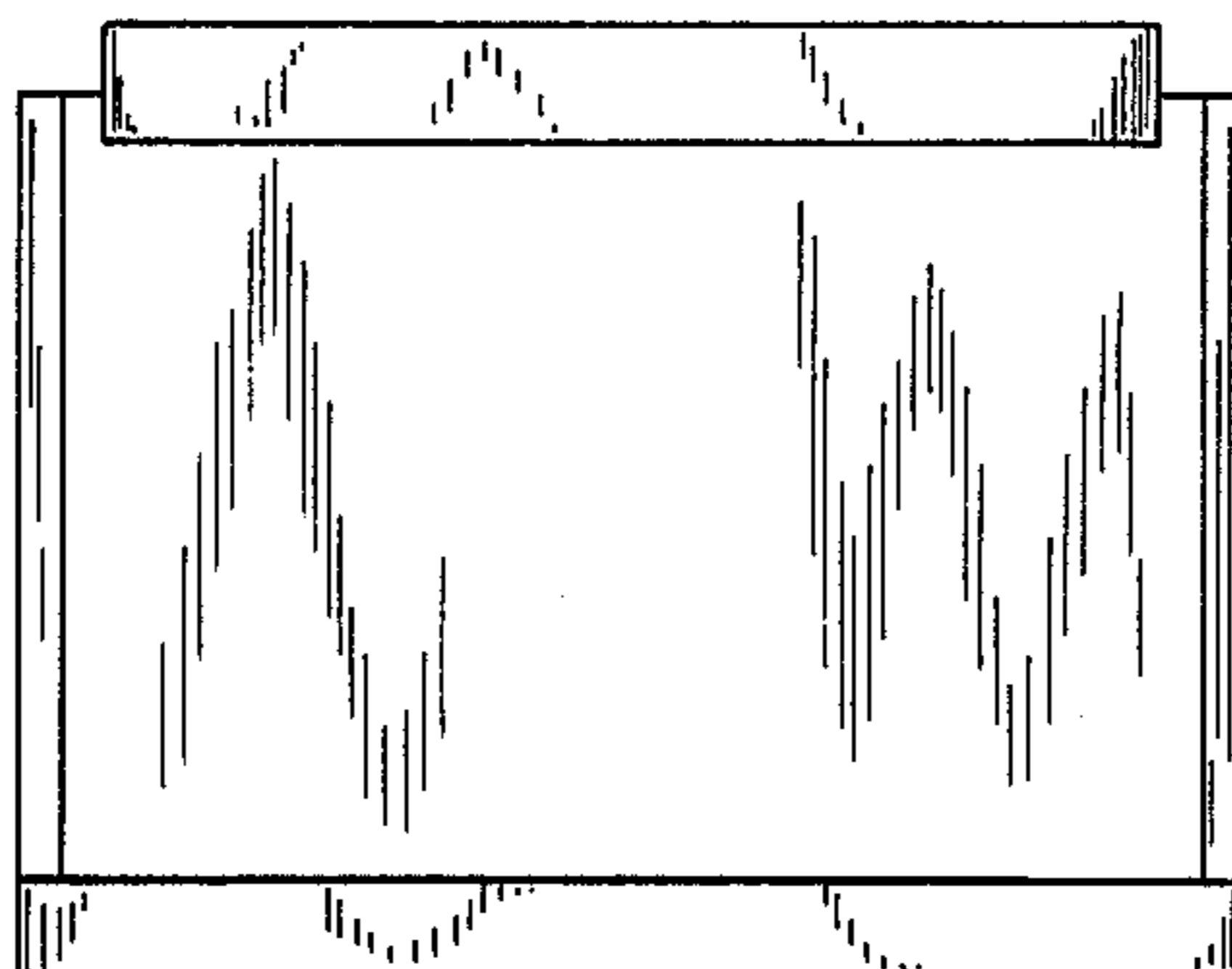


FIG. 6