

# United States Patent [19]

Caruso et al.

[11] Patent Number: **Des. 304,399**

[45] Date of Patent: **\*\* Nov. 7, 1989**

[54] CHAIR BASE WITH CASTERS

[75] Inventors: **Jerome C. Caruso**, Lake Forest, Ill.;  
**Ludovic A. Perl**, North York,  
Canada; **Robert M. Shane**, Berrien  
Springs, Mich.

[73] Assignee: **Shepherd Products U.S., Inc.**, St.  
Joseph, Mich.

[\*\*] Term: **14 Years**

[21] Appl. No.: **78,476**

[22] Filed: **Jul. 27, 1987**

[52] U.S. Cl. .... **D6/498**

[58] Field of Search ..... **D6/498, 366, 330, 335,  
D6/368; 297/301, 457**

[56] References Cited

### U.S. PATENT DOCUMENTS

D. 109,152	4/1938	Powell	.....	D6/366
D. 238,646	2/1976	Schoblom	.....	D6/498
D. 260,639	9/1981	Long	.....	D6/498 X
4,529,247	7/1985	Stumpf et al.	.....	D6/366 X

*Primary Examiner*—Carmen H. Vales-Lado  
*Attorney, Agent, or Firm*—Lee, Mann, Smith,  
McWilliams & Sweeney

[57] CLAIM

The ornamental design for a chair base with casters, as shown and described.

### DESCRIPTION

FIG. 1 is a side elevational view of a chair base with casters showing our new design;  
FIG. 2 is a top plan view thereof; and  
FIG. 3 is a bottom plan view thereof.

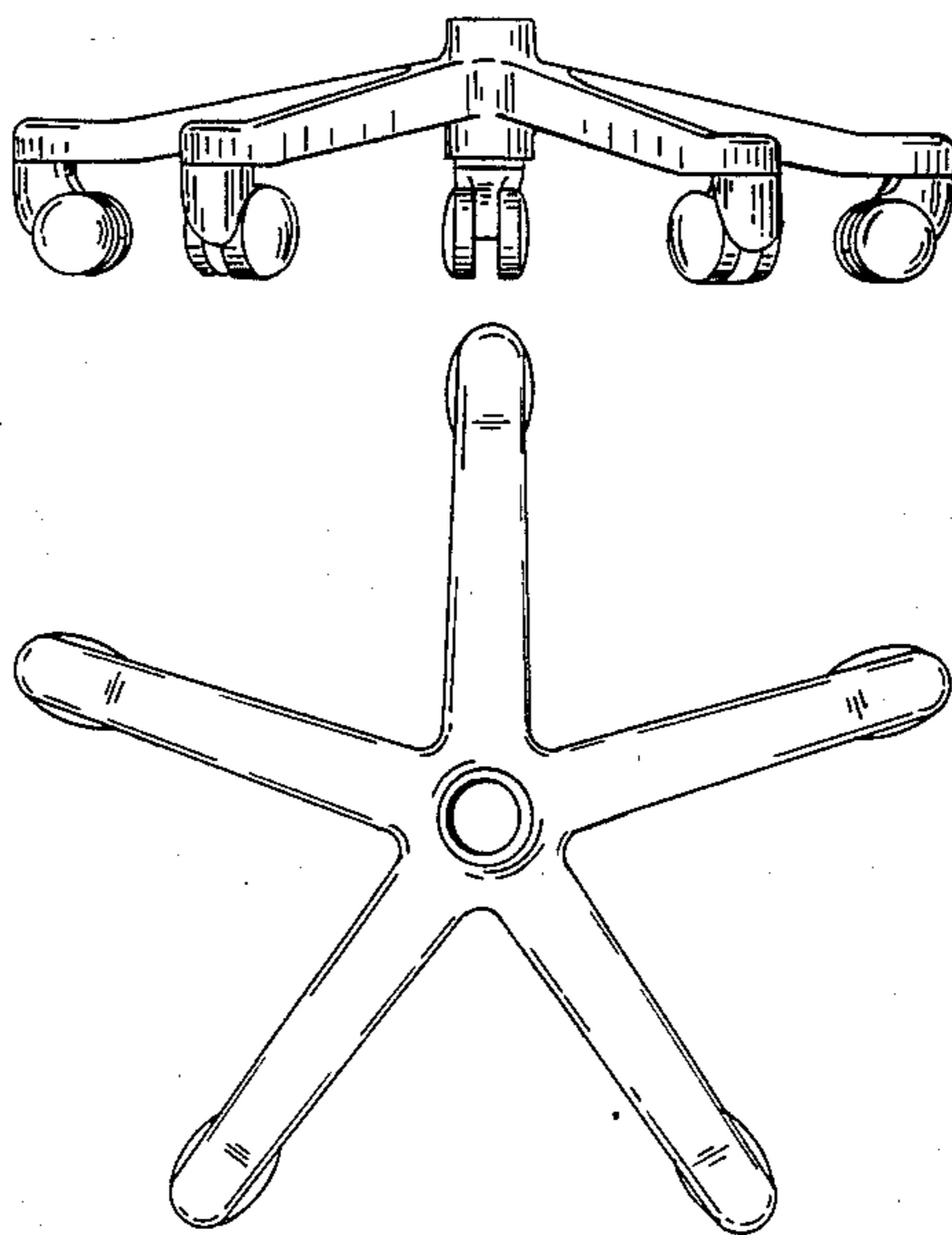


FIG. 1.

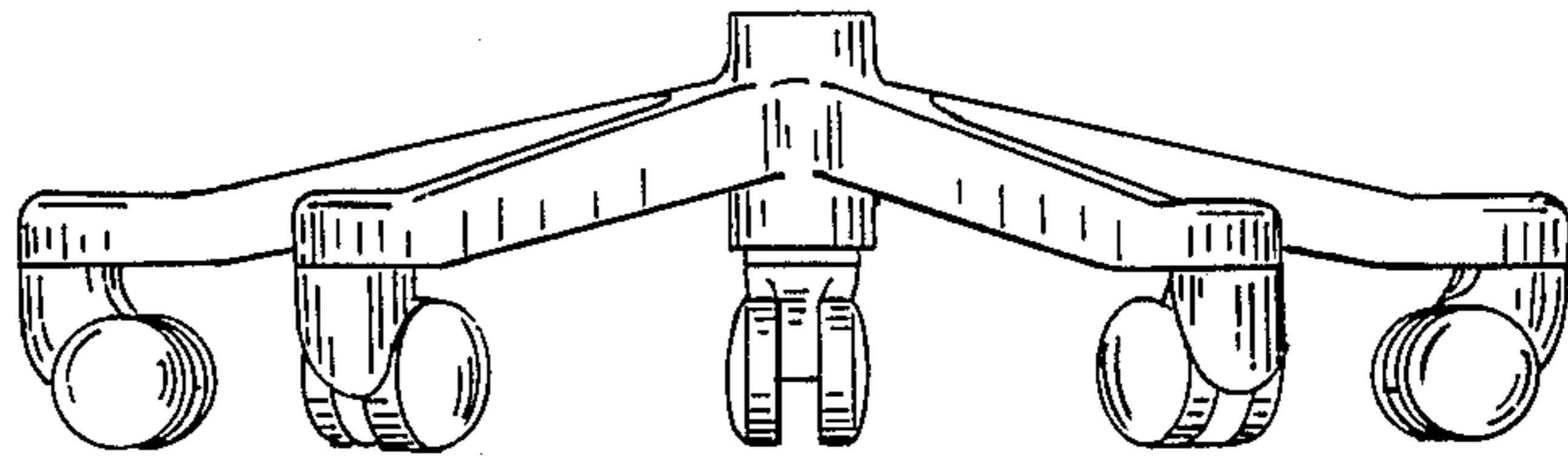


FIG. 2.

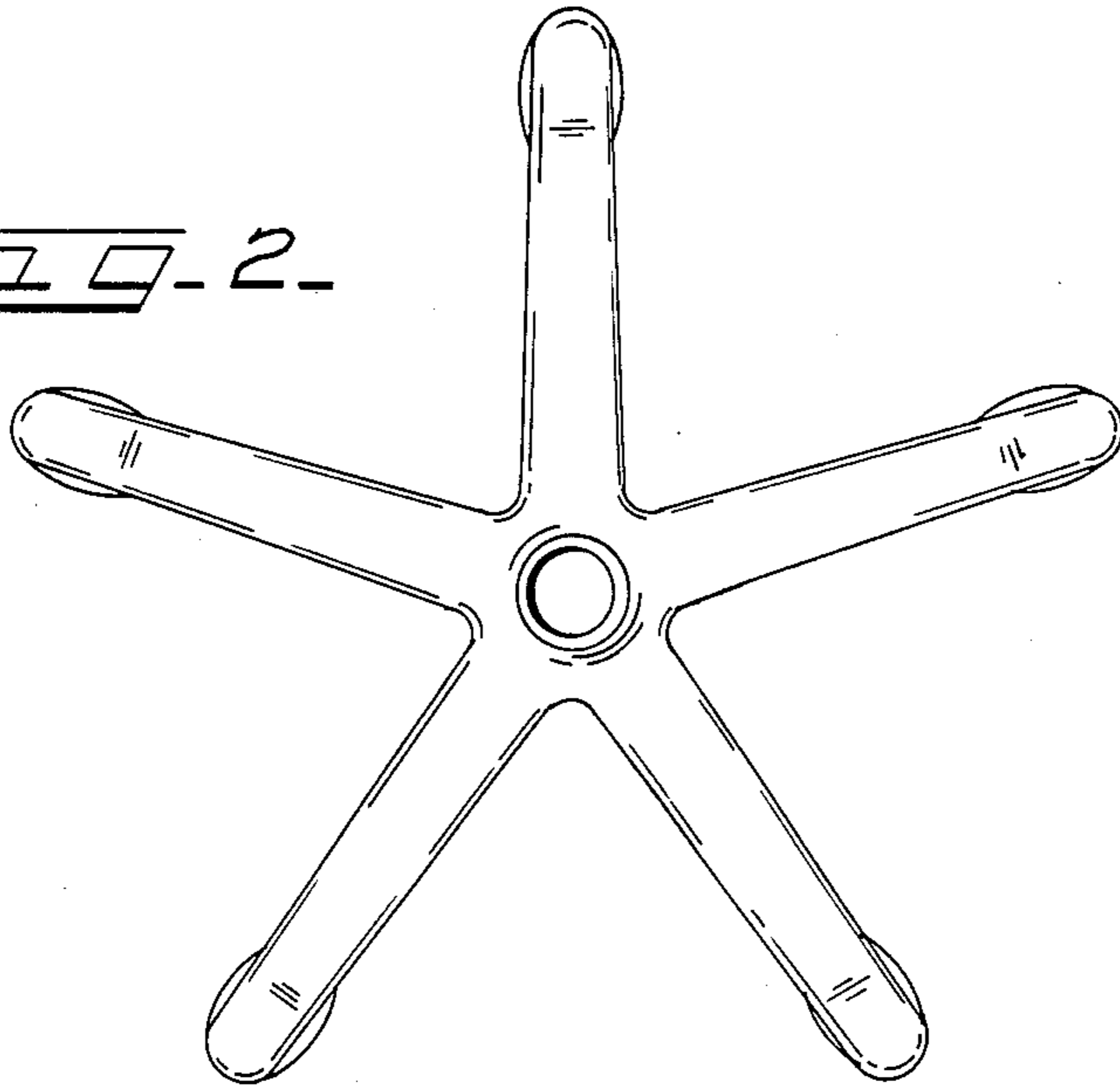


FIG. 3.

