

[54] TABLE

[75] Inventors: Steven J. Pitchersky, 4509 Kenbridge Dr., Greensboro, N.C. 27410; Edwin Goldstein, 160 Overbrook Ave., Hackensack, N.J. 06041

[73] Assignees: Steven J. Pitchersky, Greensboro, N.C.; Edwin Goldstein, Hackensack, N.J.

[**] Term: 14 Years

[21] Appl. No.: 338,132

[22] Filed: Apr. 14, 1989

[52] U.S. Cl. D6/451; D6/486

[58] Field of Search D6/451, 480, 482, 486, D6/481

[56] References Cited

U.S. PATENT DOCUMENTS

- D. 164,105 7/1951 Creswell D6/451
- D. 220,768 5/1971 Jordan, Jr. D6/451
- D. 287,555 1/1987 Bickle D6/486
- D. 289,496 11/1988 Bigelow D6/486 X

OTHER PUBLICATIONS

Interiors, Apr. 1967, p. 87; Cube Table item #3, top center of page.

Intrex Inc., 8-1-1977, p. 1; "Mississippi Conference Table", on page.

Primary Examiner—Carmen H. Vales-Lado
Attorney, Agent, or Firm—Rhodes, Coats & Bennett

[57] CLAIM

The ornamental design for a table, as shown and described.

DESCRIPTION

FIG. 1 is a front perspective view of a table showing our new design, the rear perspective being a mirror image thereof;

FIG. 2 is a side elevational view thereof;

FIG. 3 is a top plan view thereof;

FIG. 4 is a front perspective view of a second embodiment of the table shown in FIG. 1, the rear perspective being a mirror image thereof;

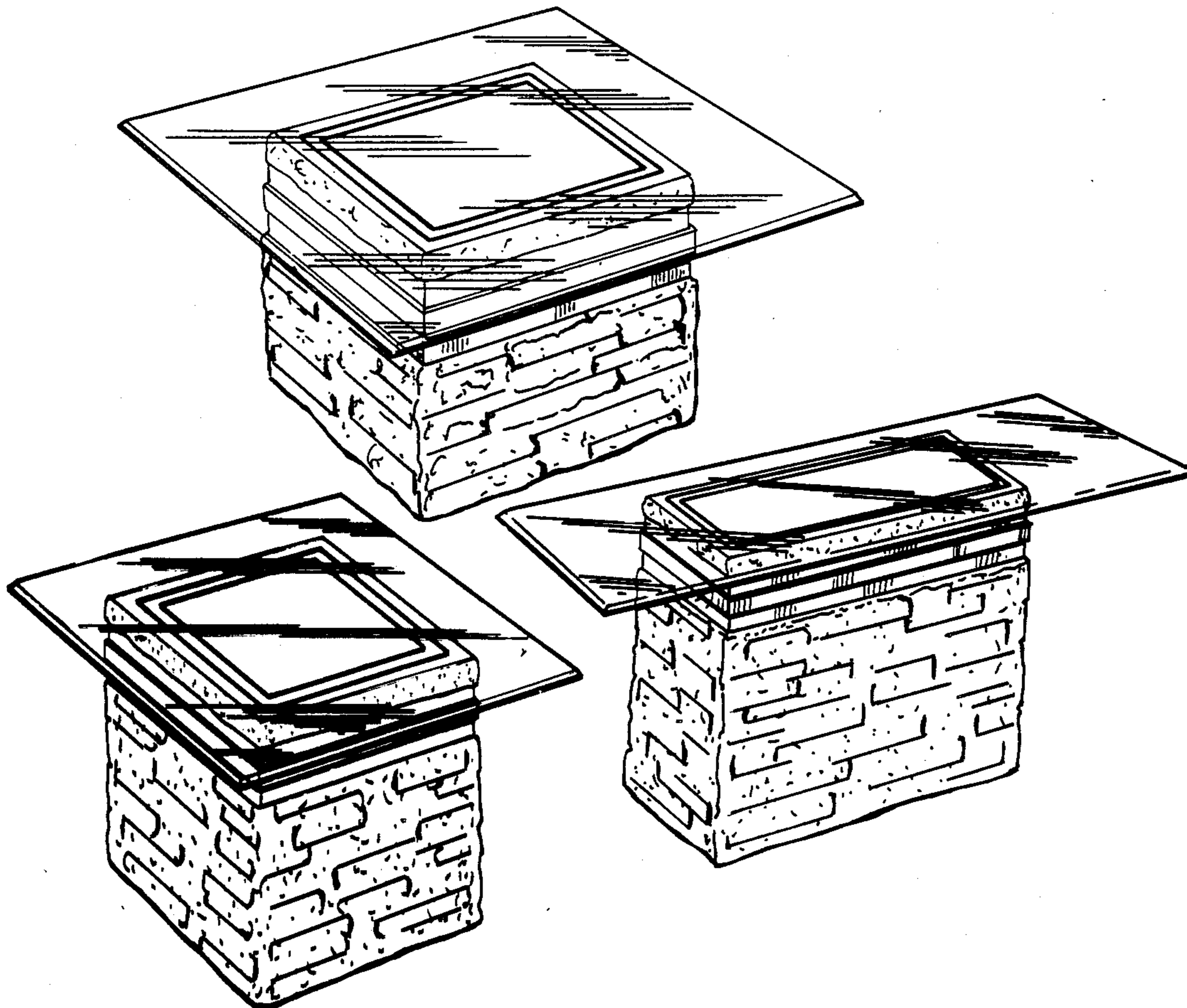
FIG. 5 is an end elevational view thereof;

FIG. 6 is a top plan view thereof;

FIG. 7 is a front perspective view of a third embodiment of the table shown in FIG. 1;

FIG. 8 is a side elevational view the other sides being identical thereto; and

FIG. 9 is a top plan view thereof.



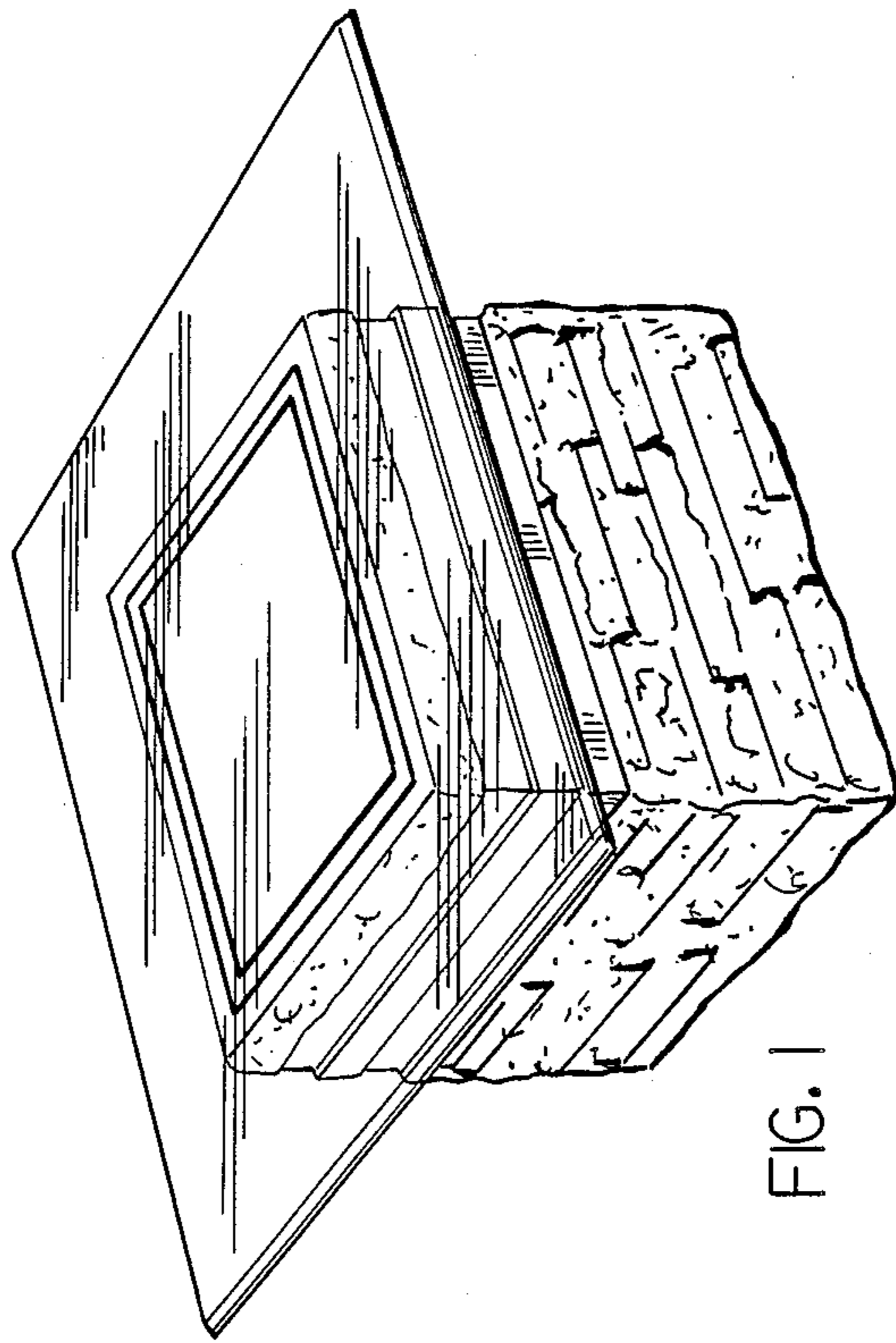


FIG. 1

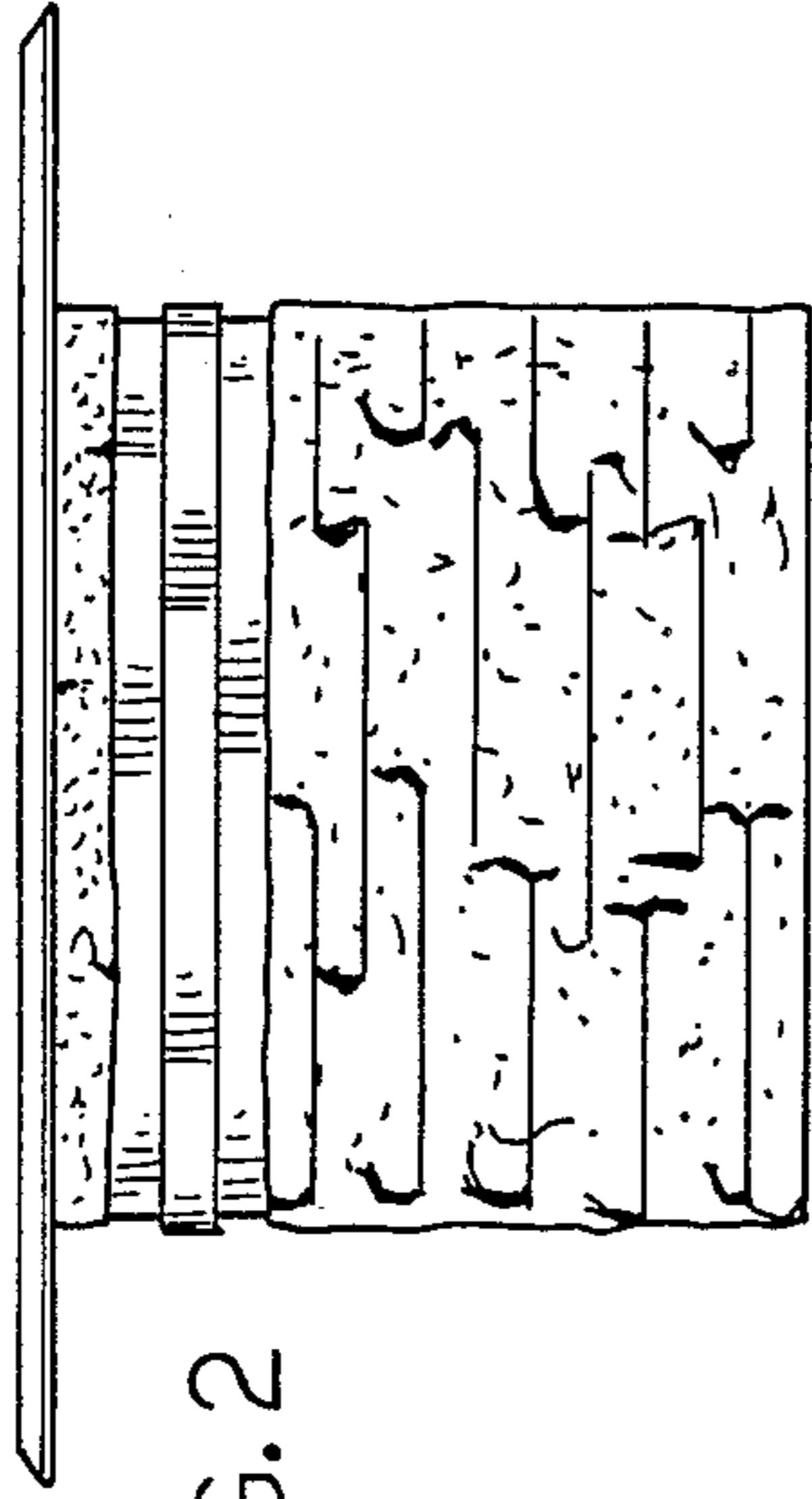


FIG. 2

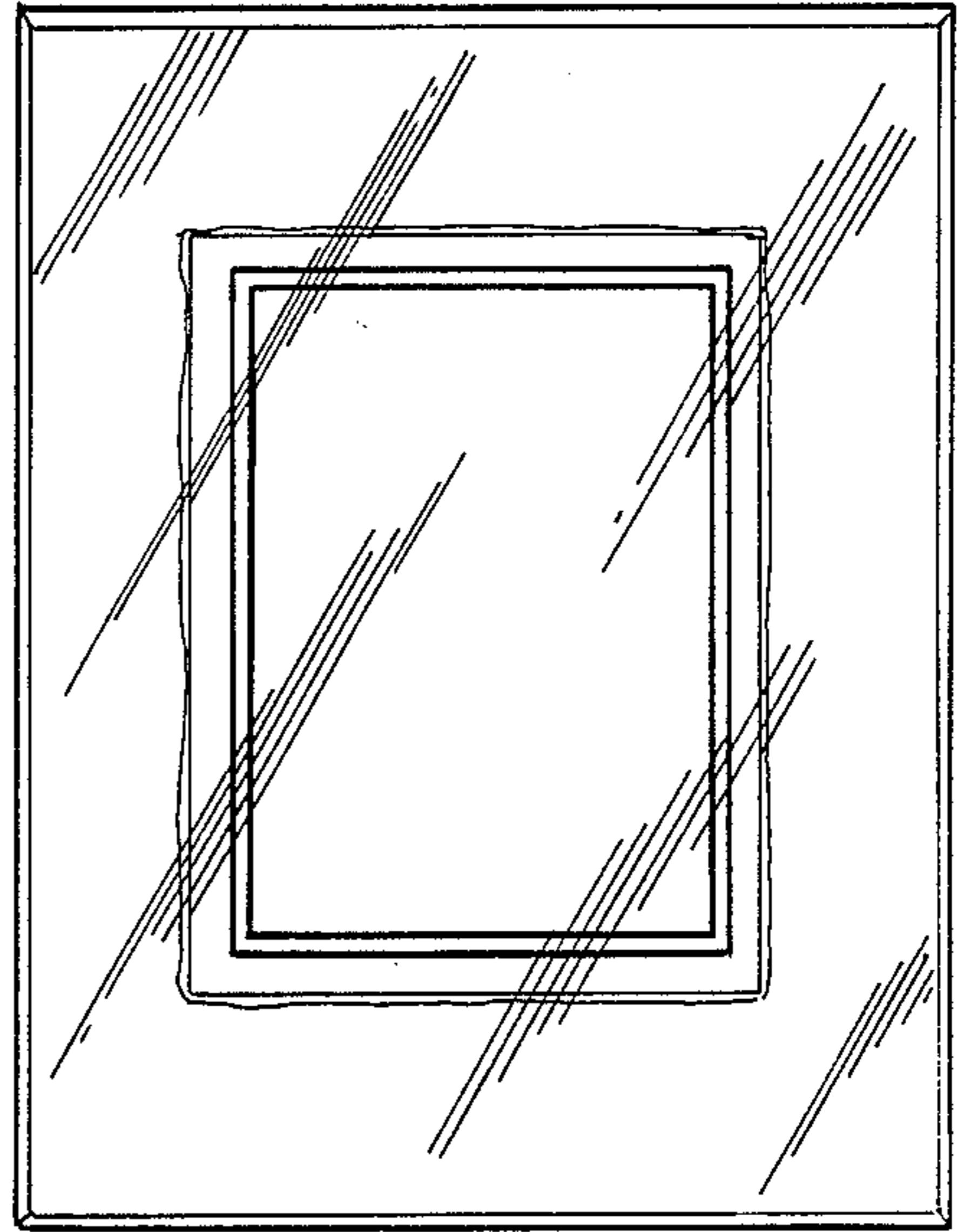


FIG. 3

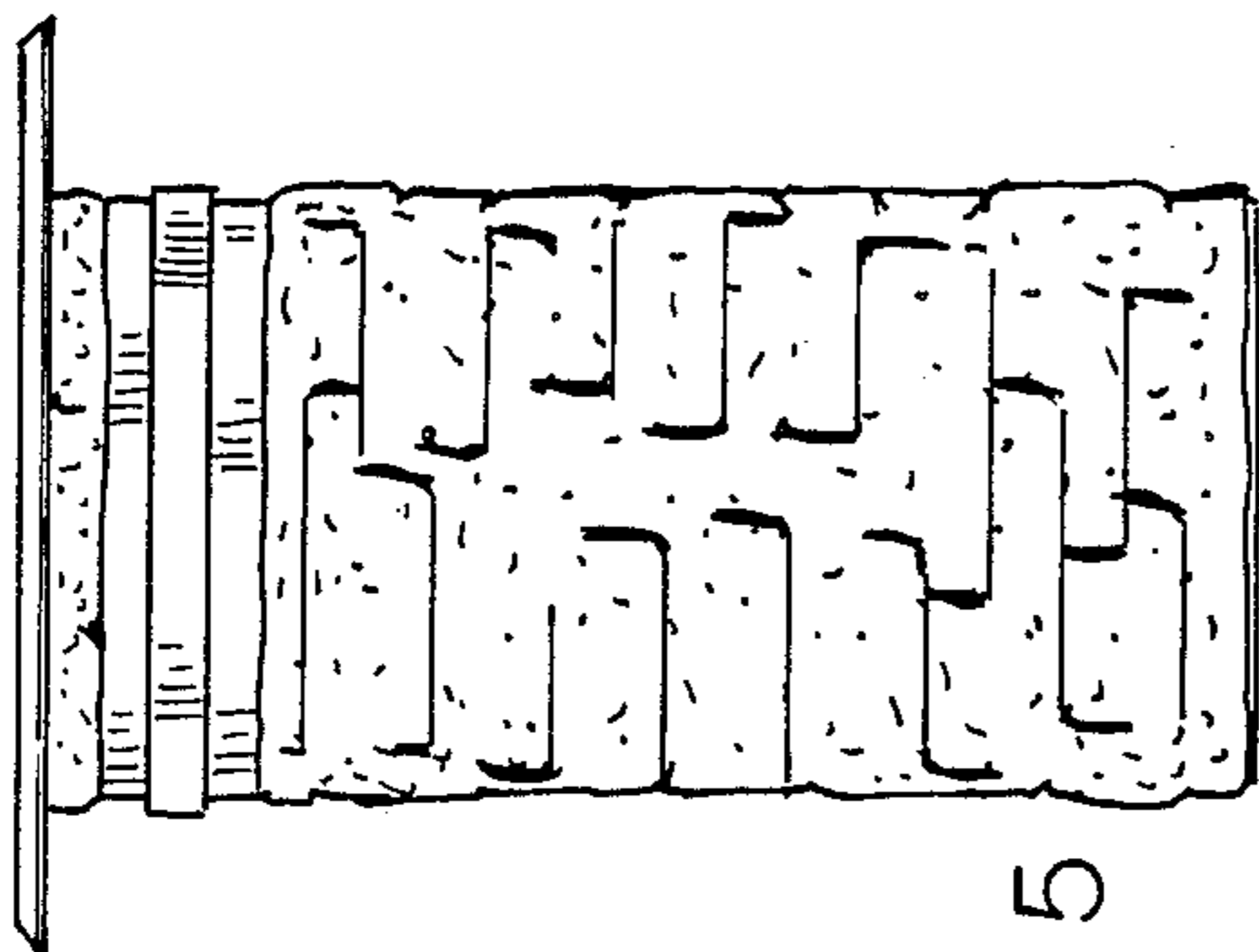


FIG. 5

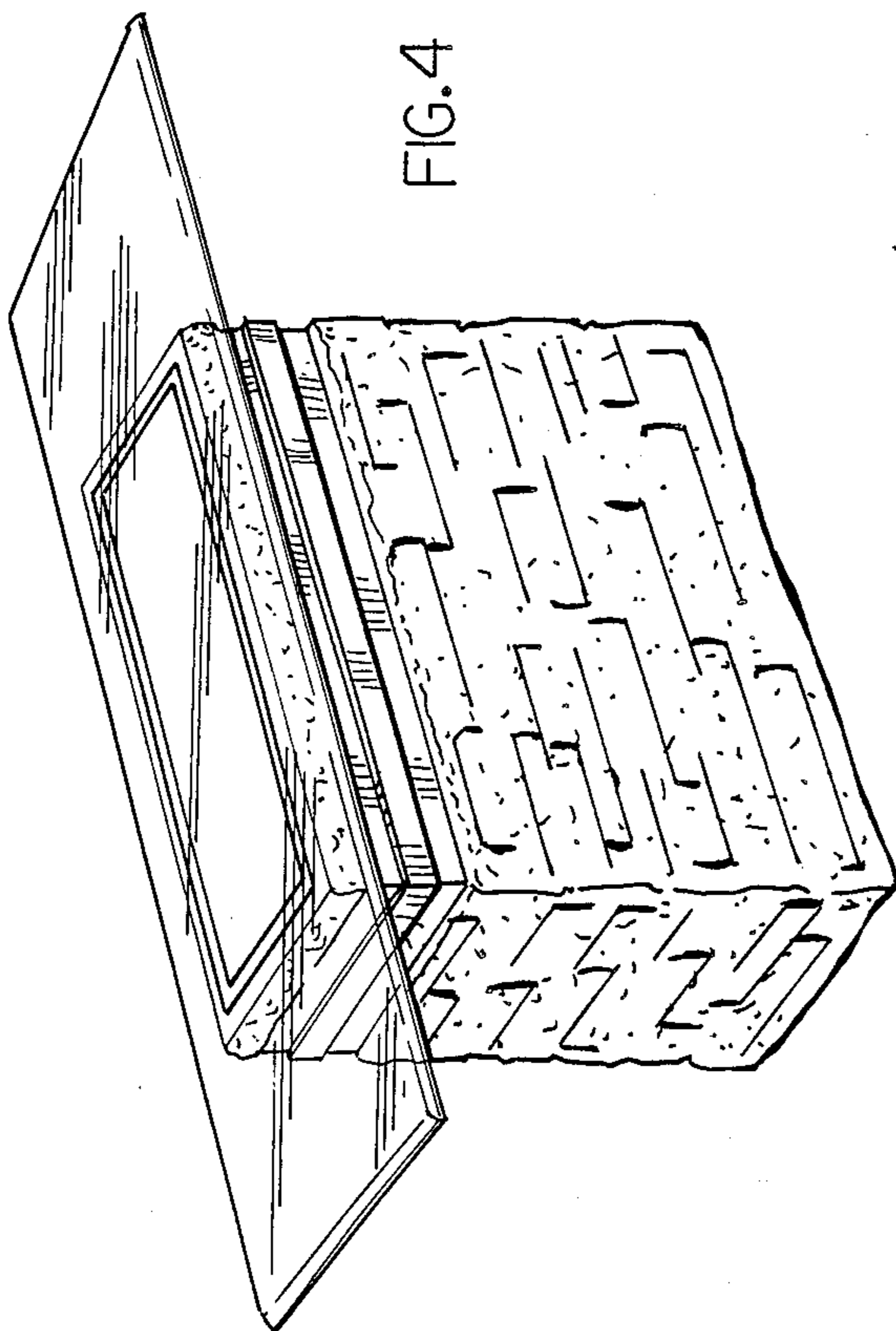


FIG. 4

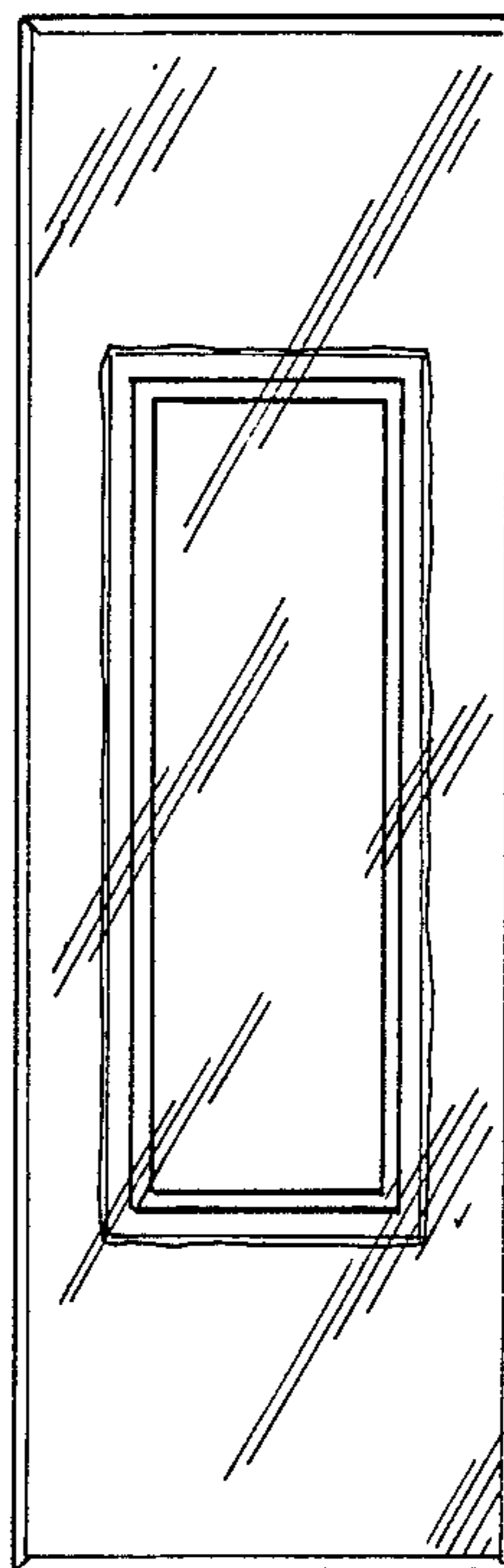


FIG. 6

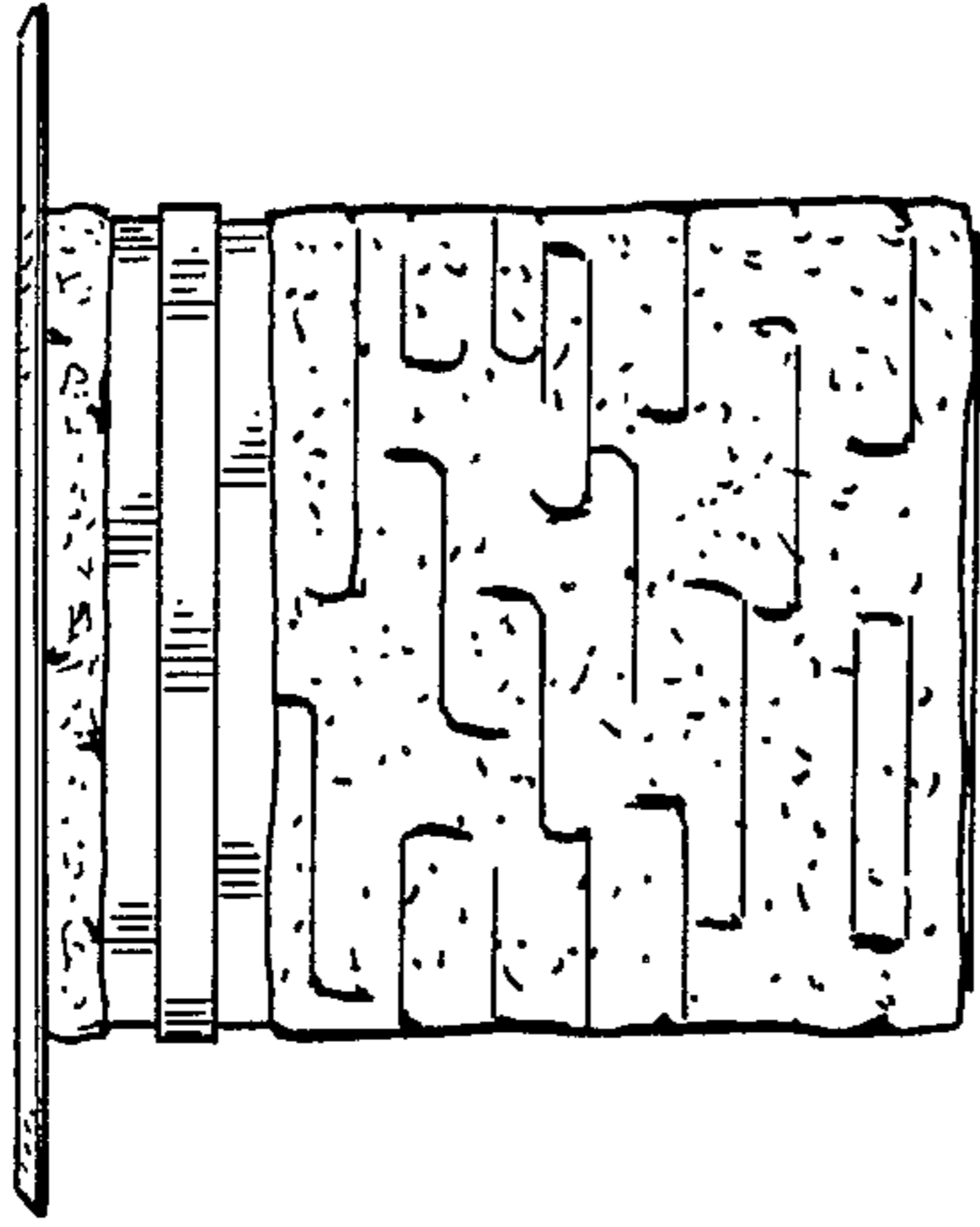


FIG. 8

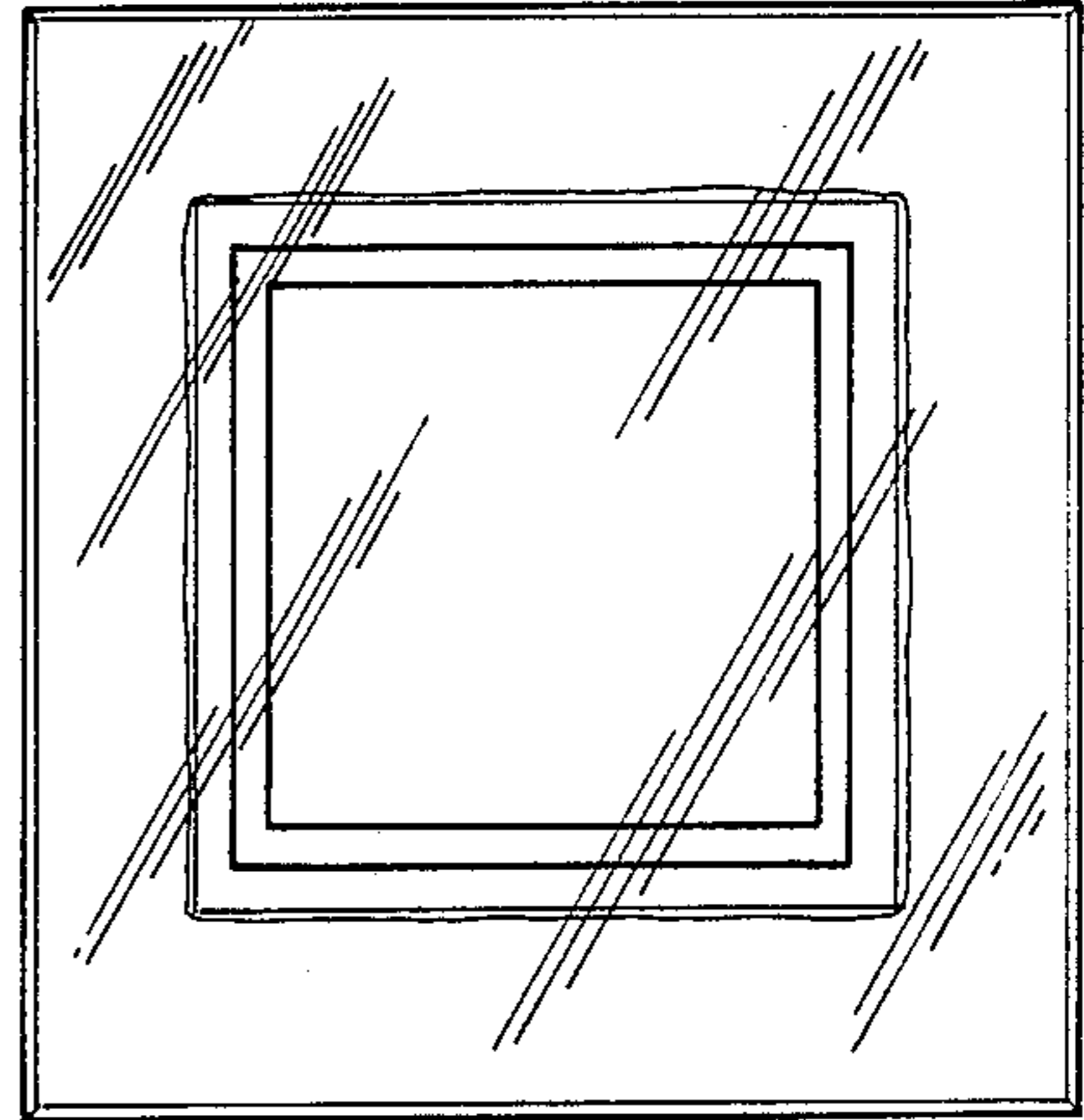


FIG. 9

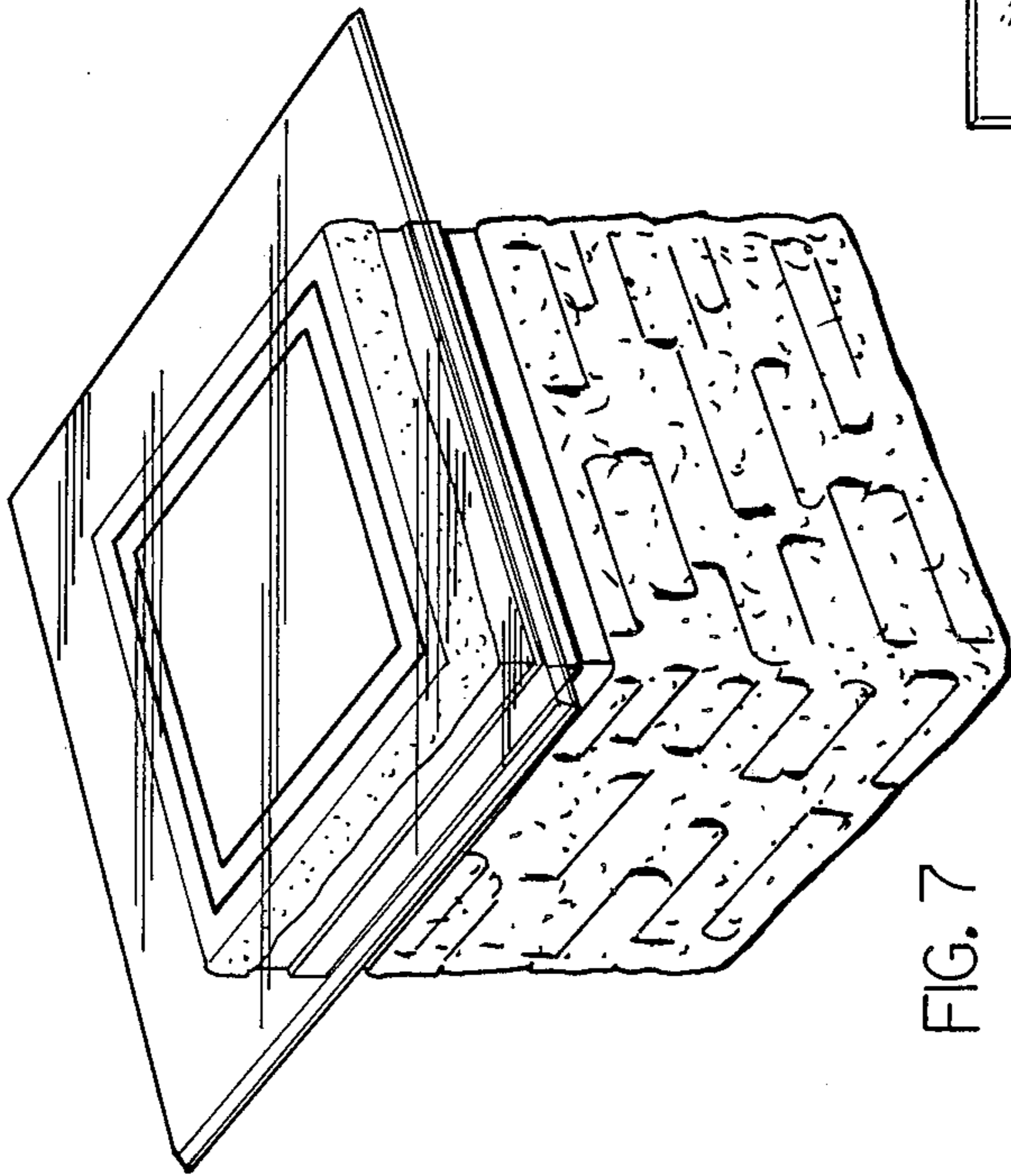


FIG. 7