

United States Patent [19]

Derobert

[11] Patent Number: **Des. 304,384**

[45] Date of Patent: **** Oct. 31, 1989**

- [54] **COMBINED RESPIRATORY MASK AND INFLATABLE HEAD STRAPS**
- [75] Inventor: **Guy G. A. Derobert, Gambais, France**
- [73] Assignee: **Intertechnique S.A., Plaisir, France**
- [**] Term: **14 Years**
- [21] Appl. No.: **898,626**
- [22] Filed: **Aug. 21, 1986**
- [52] U.S. Cl. **D29/9**
- [58] Field of Search **D29/6-9;**
128/205.17, 205.25, 205.24, 206.24, 206.17,
206.12

- 3,180,333 4/1965 Lewis **D29/9**
- 4,328,798 5/1982 Isaacson **128/205.25**
- 4,579,113 4/1986 McCreadie et al. **128/206.12**
- 4,595,003 6/1986 Shoemaker et al. **128/206.17**

Primary Examiner—Wallace R. Burke
Assistant Examiner—Kay H. Chin
Attorney, Agent, or Firm—Larson and Taylor

[57] **CLAIM**

The ornamental design for a combined respiratory mask and inflatable head straps, as shown and described.

DESCRIPTION

FIG. 1 is a front elevational view of a combined respiratory mask and inflatable head straps showing my new design; FIG. 2 is a left side perspective view thereof; and FIG. 3 is a top plan view thereof. The breathing tube in FIGS. 1 and 2 is shown broken away for convenience of illustration.

[56] **References Cited**
U.S. PATENT DOCUMENTS

- 2,317,237 4/1943 Wilen **D29/9**
- 2,406,888 9/1946 Meidenbauer, Jr. **128/205.25**

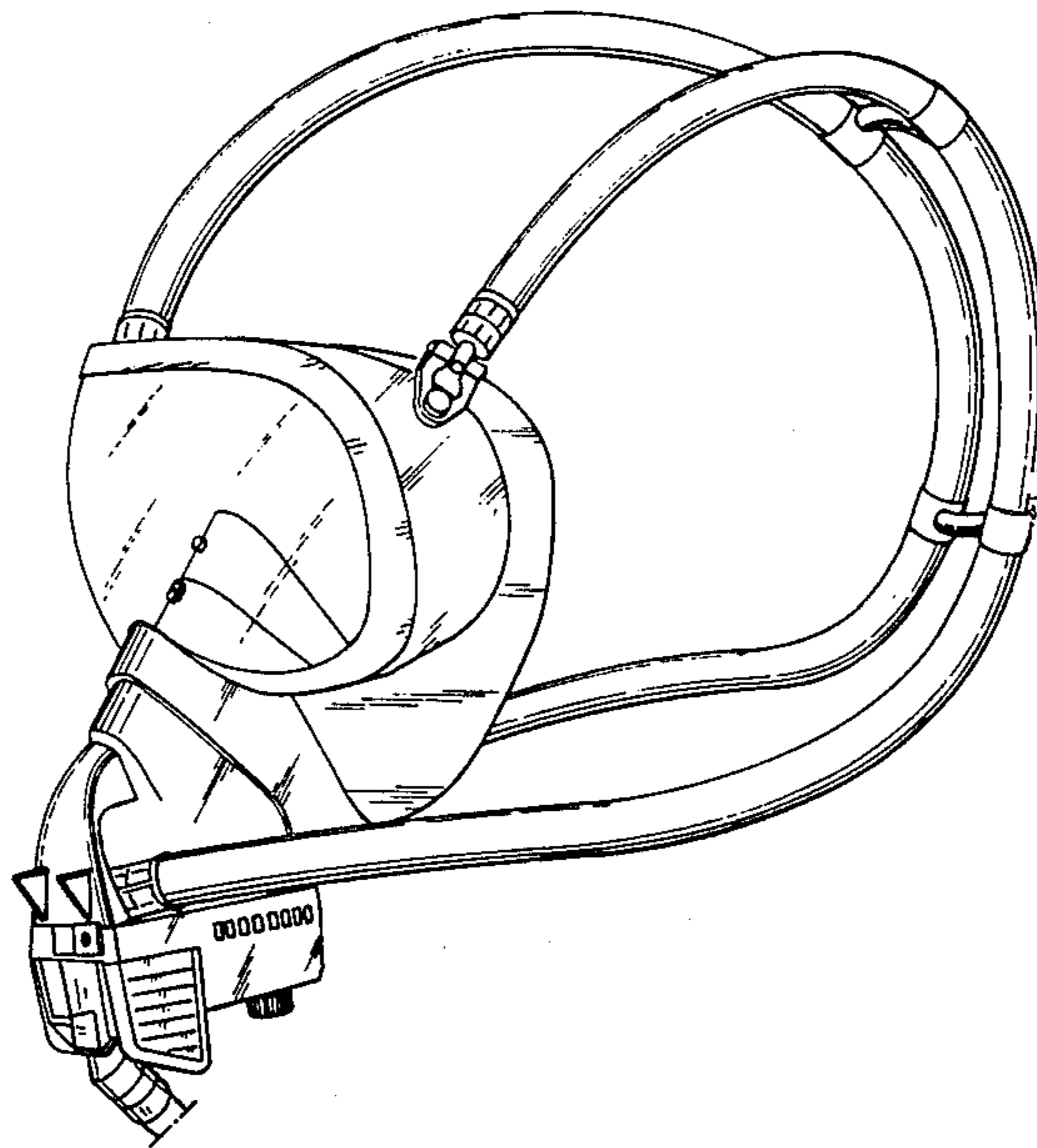


FIG. 2.

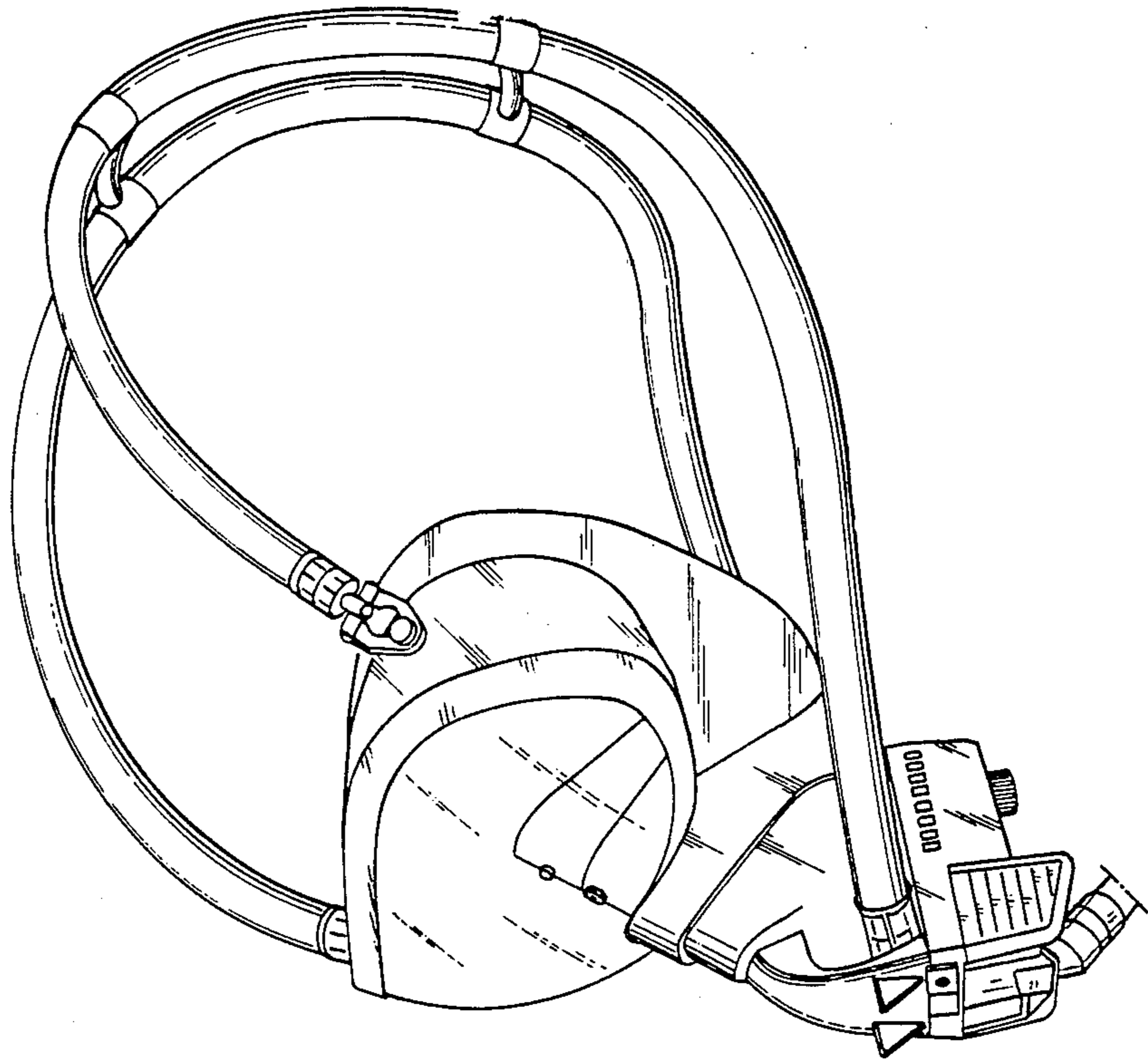


FIG. 1.

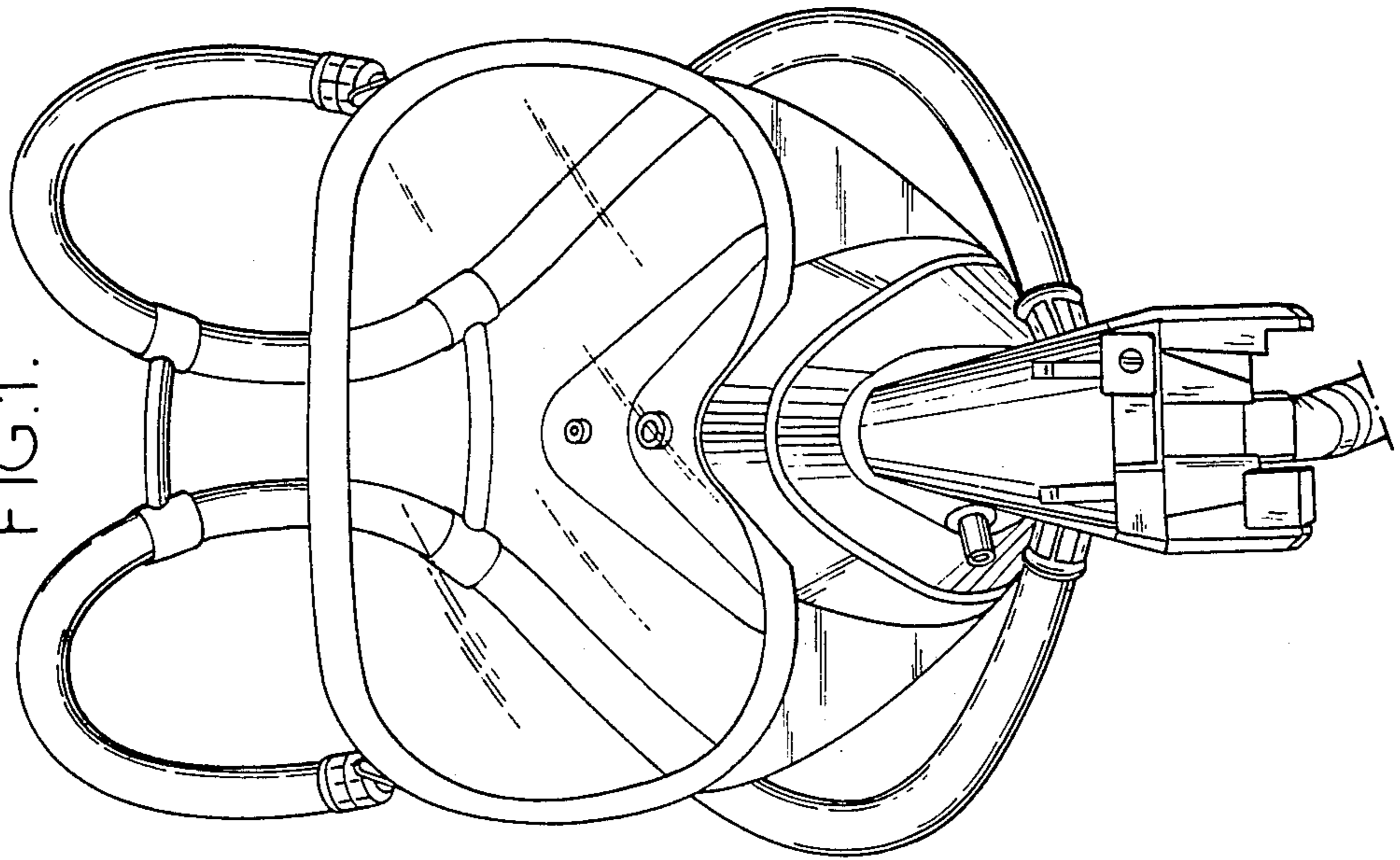


FIG. 3.

