

# United States Patent [19]

Babcock

[11] Patent Number: Des. 304,383

[45] Date of Patent: \*\* Oct. 31, 1989

[54] COMB ATTACHMENT OR THE LIKE FOR HOLDING PERMANENT WAVE PAPER

[76] Inventor: Lowell C. Babcock, 22014 Anthony Rd., Marengo, Ill. 60152

[\*\*] Term: 14 Years

[21] Appl. No.: 892,404

[22] Filed: Aug. 4, 1986

[52] U.S. Cl. .... D28/34; D28/11; D28/25

[58] Field of Search ..... D28/9-11, D28/21, 25, 27, 34; 132/219, 122, 124, 125, 143, 147-150, 120

[56] **References Cited**

**U.S. PATENT DOCUMENTS**

1,904,090	4/1933	Shaw	.....	D28/21
2,491,753	12/1949	Morin	.....	D28/25 X
2,602,457	7/1952	Mele	.....	D28/25 X

**FOREIGN PATENT DOCUMENTS**

1233653 10/1960 France ..... 132/120

*Primary Examiner*—Louis S. Zarfaz

*Attorney, Agent, or Firm*—Mathew R. P. Perrone, Jr.

[57] **CLAIM**

The ornamental design for a comb attachment or the like for holding permanent wave paper, as shown and described.

**DESCRIPTION**

FIG. 1 is a perspective view of a comb attachment or the like for holding permanent wave paper showing my new design;

FIG. 2 is a perspective view in the opposite direction;

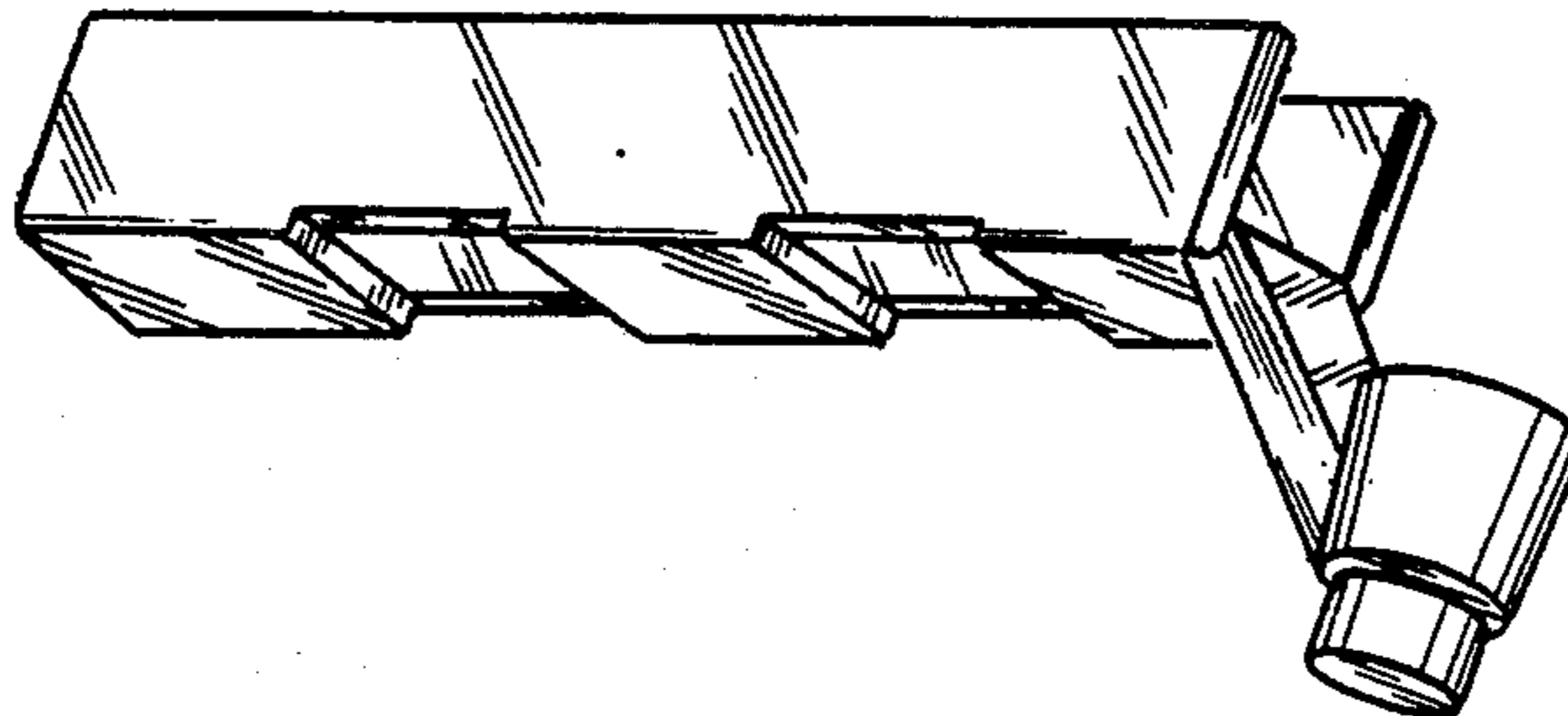
FIG. 3 is a rear elevational view;

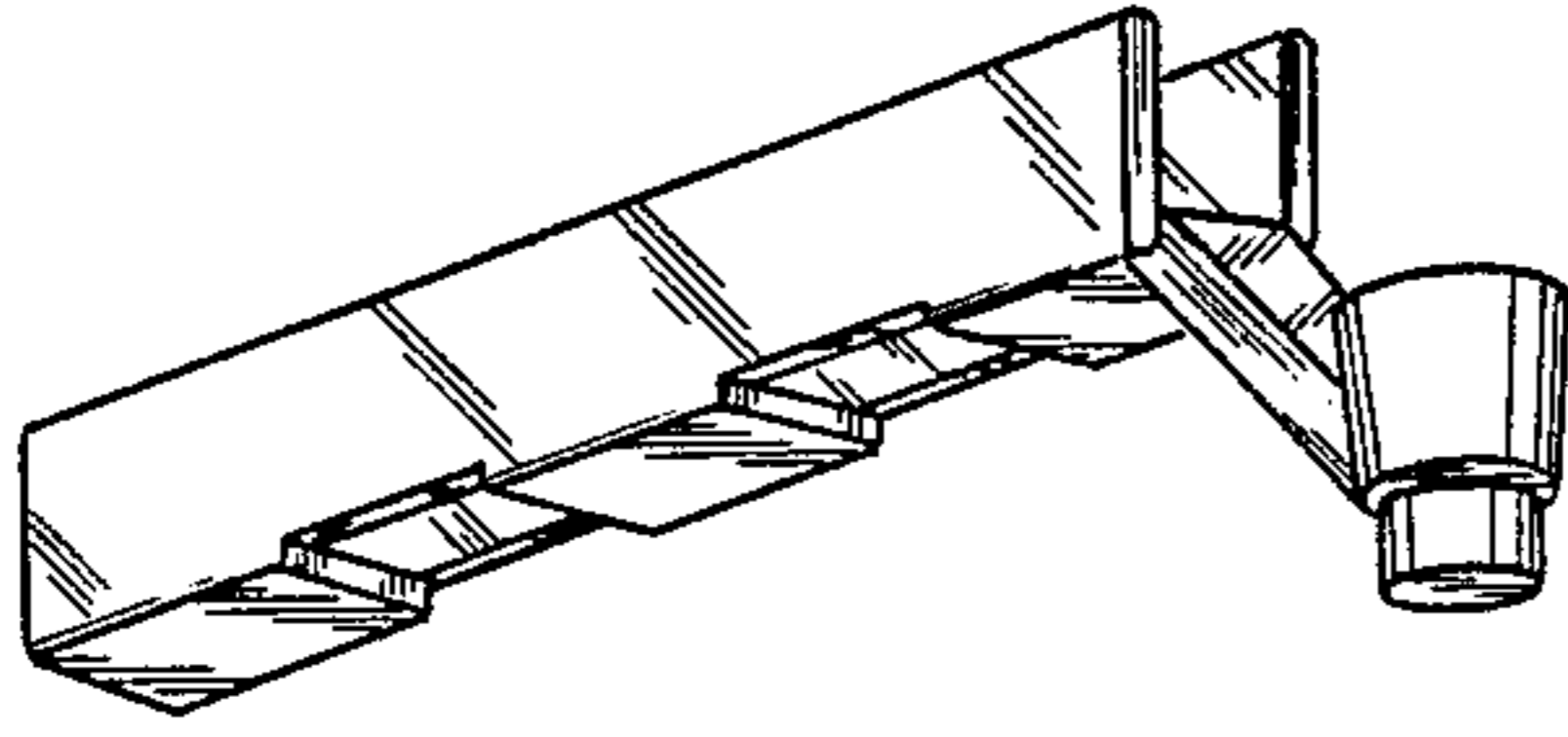
FIG. 4 is a right side elevational view;

FIG. 5 is a left side elevational view;

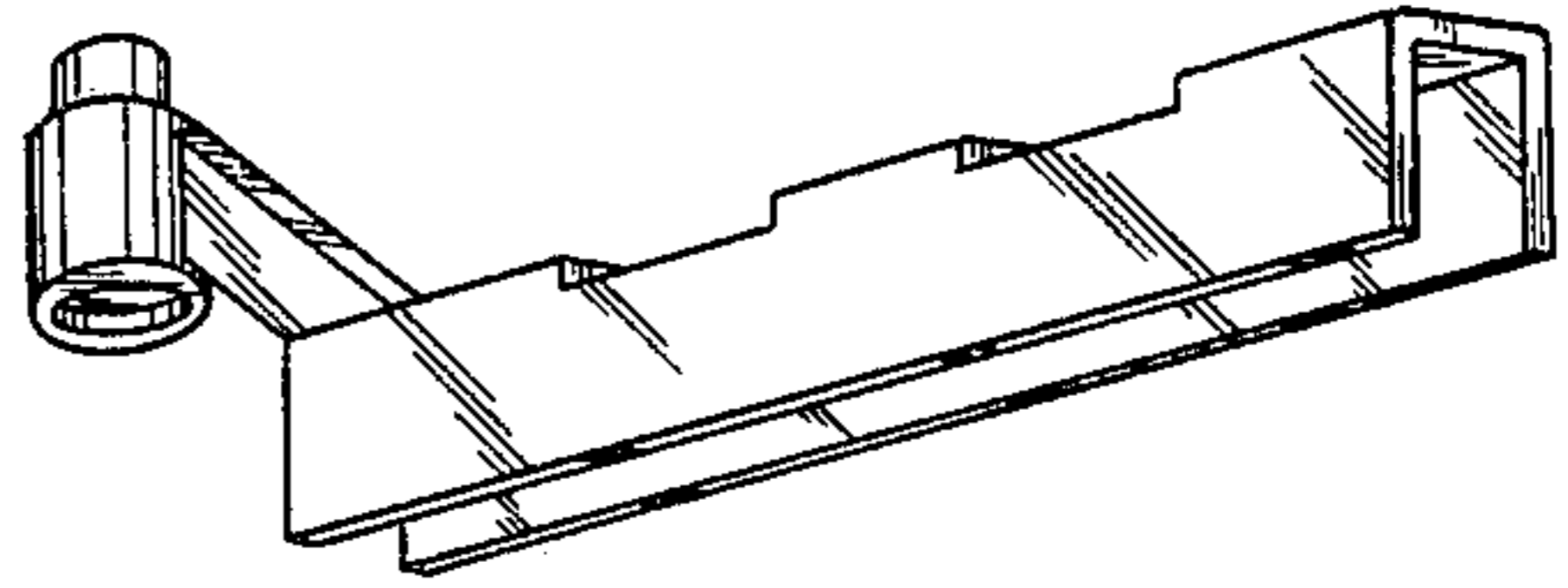
FIG. 6 is a bottom plan view; and

FIG. 7 is a top plan view.

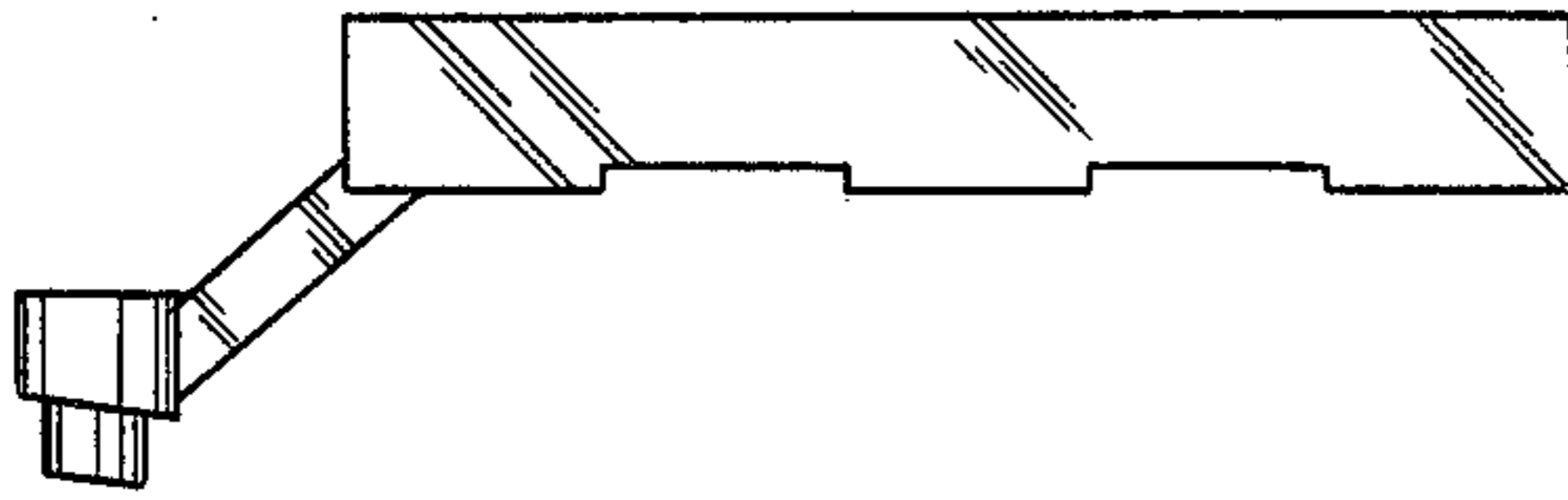




*Fig. 1*



*Fig. 2*



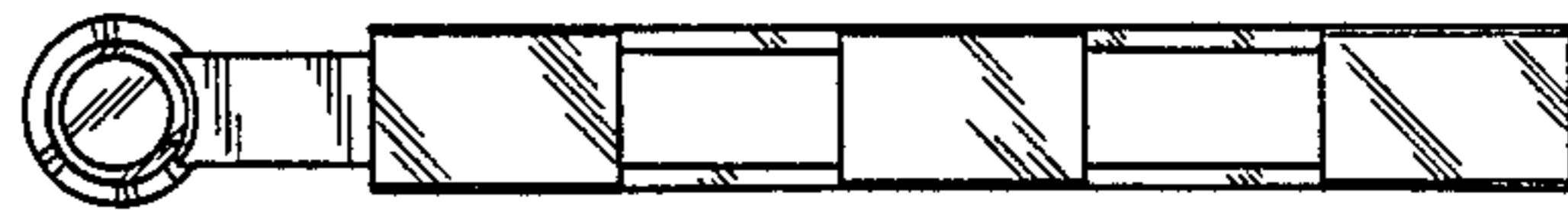
*Fig. 3*



*Fig. 4*



*Fig. 5*



*Fig. 6*



*Fig. 7*