

United States Patent [19]
Campbell

[11] **Patent Number: Des. 304,381**

[45] **Date of Patent: ** Oct. 31, 1989**

[54] **STRAPPED MINIATURE FLASHLIGHT**

3,631,236 12/1971 Woytowich 362/197

[76] **Inventor: Andrew E. Campbell, 1127 Ridge Rd.,
Fawnskin, Calif. 92333**

Primary Examiner—Susan J. Lucas
Attorney, Agent, or Firm—John E. Wagner

[**] **Term: 14 Years**

[57] **CLAIM**

[21] **Appl. No.: 919,862**

The ornamental design for a strapped miniature flashlight, as shown and described.

[22] **Filed: Oct. 16, 1986**

[52] **U.S. Cl. D26/37**

[58] **Field of Search D26/37-50;
362/157, 158, 183-208, 103**

DESCRIPTION

[56] **References Cited**

U.S. PATENT DOCUMENTS

D. 159,607 8/1950 Gerding D26/39
2,528,701 11/1950 Mitchell D26/37 X

FIG. 1 is a perspective view of a strapped miniature flashlight incorporating my novel design;
FIG. 2 is a side elevational view thereof, the opposite side being a mirrored image;
FIG. 3 is a top plan view thereof;
FIG. 4 is a bottom plan view thereof;
FIG. 5 is a left end elevational view thereof; and
FIG. 6 is a right end elevational view thereof.

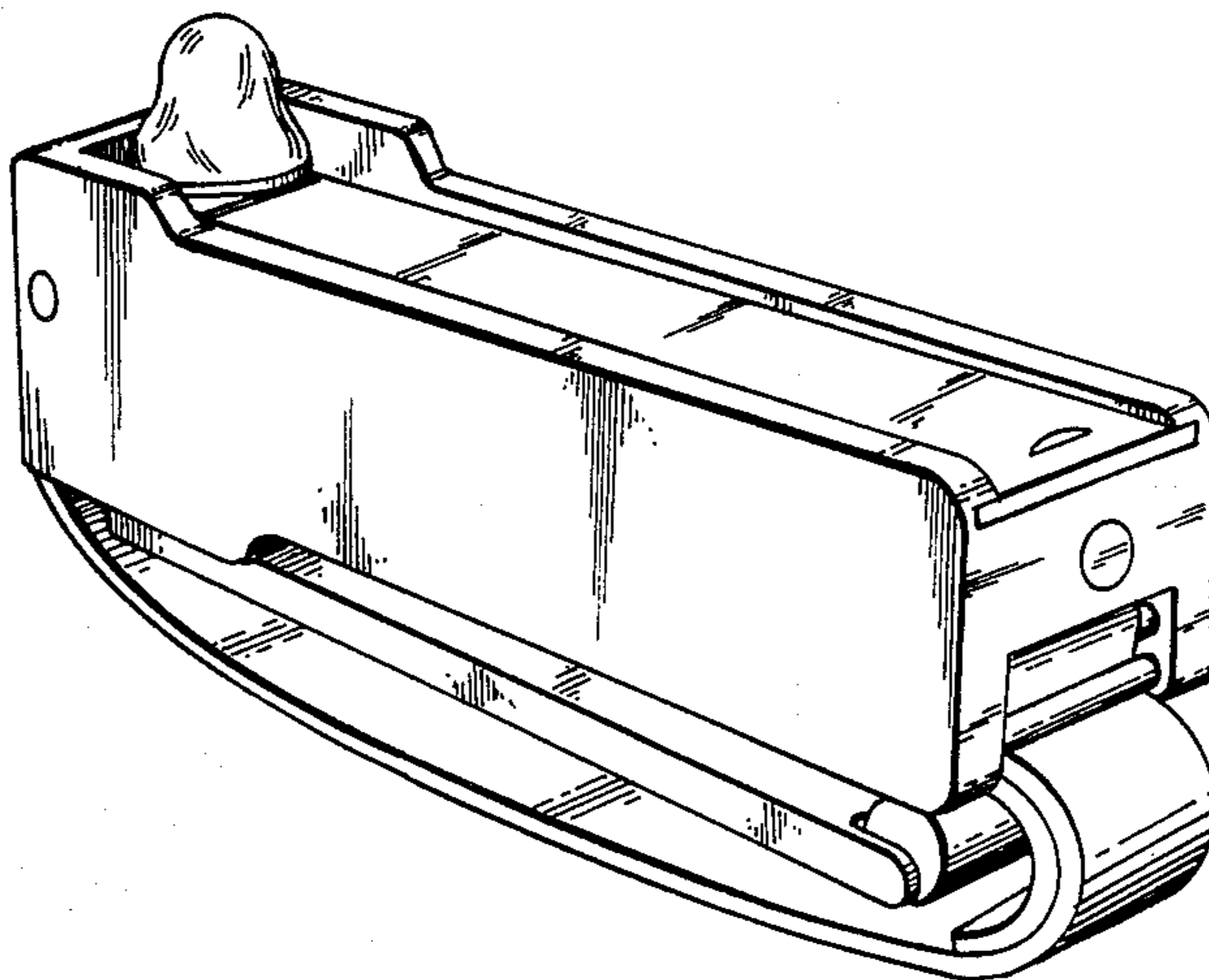


FIG. 1

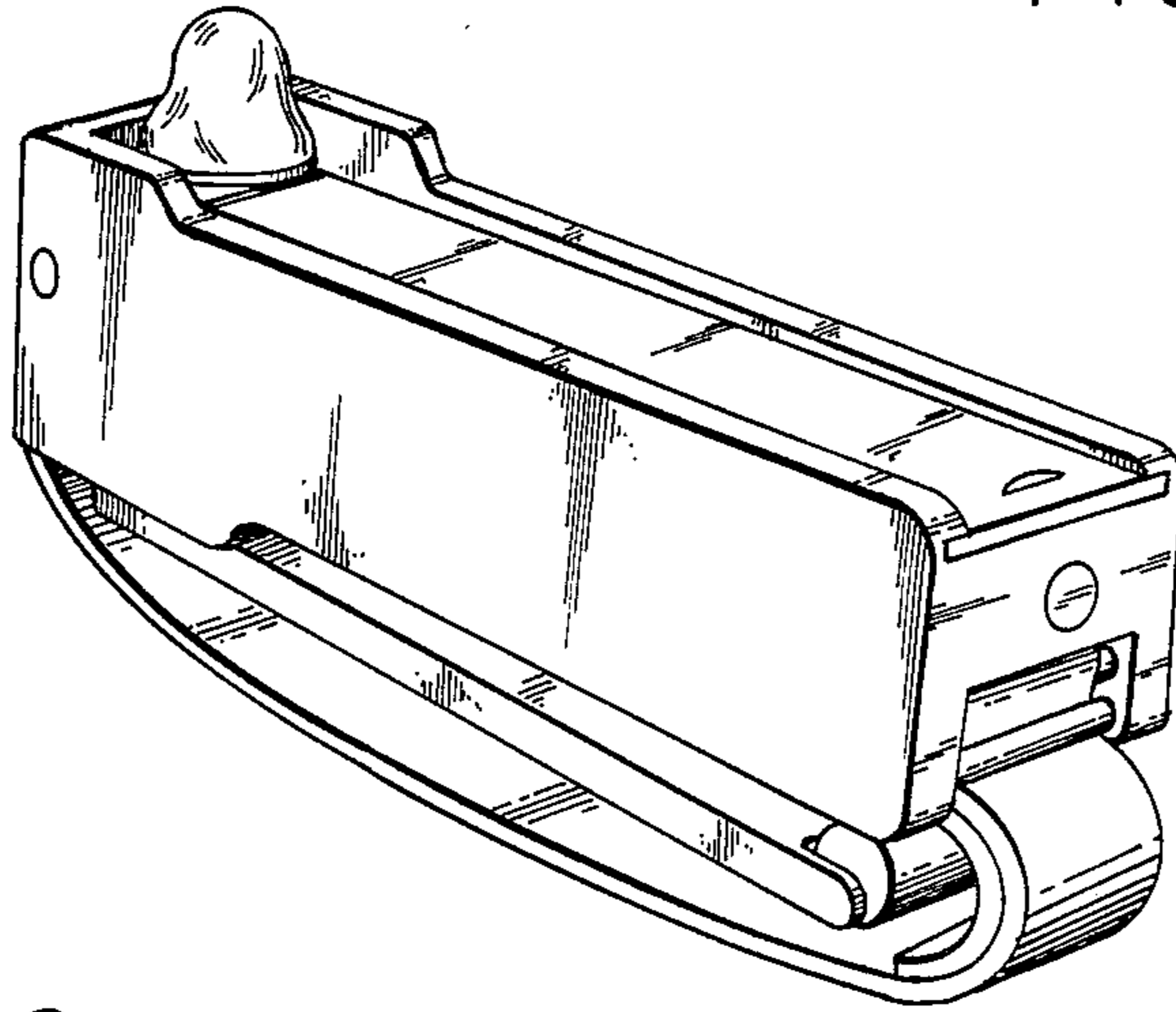


FIG. 2

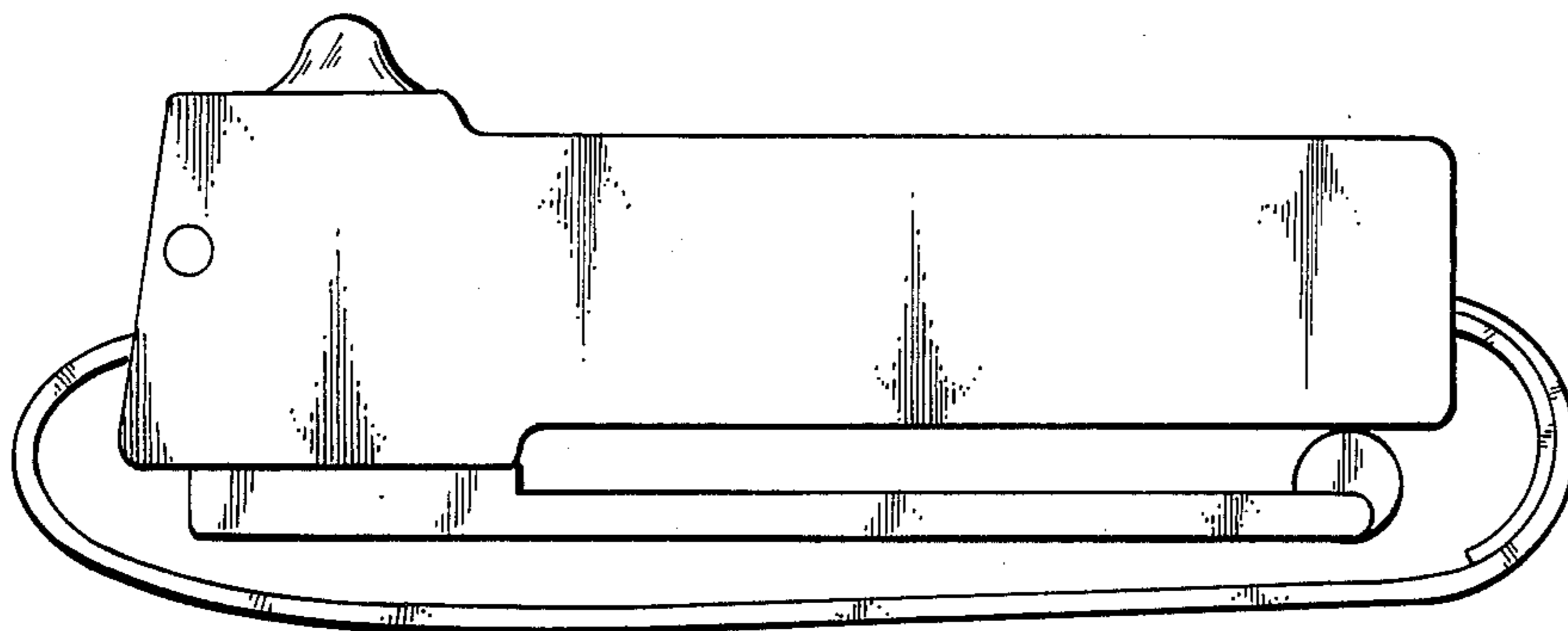


FIG. 5

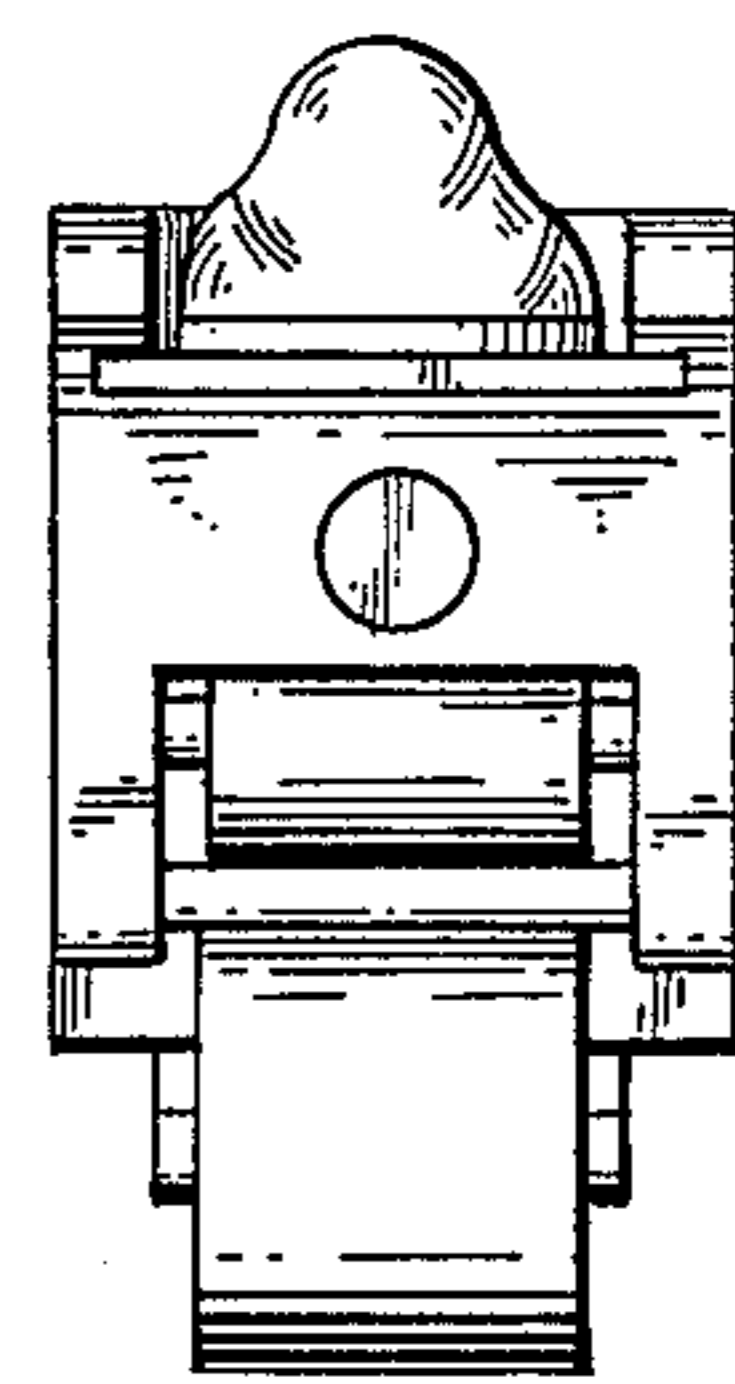
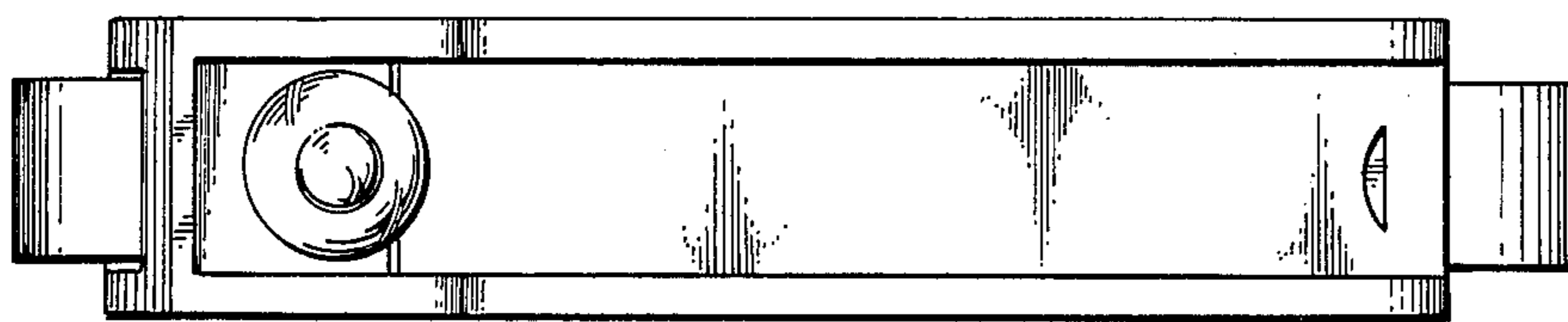
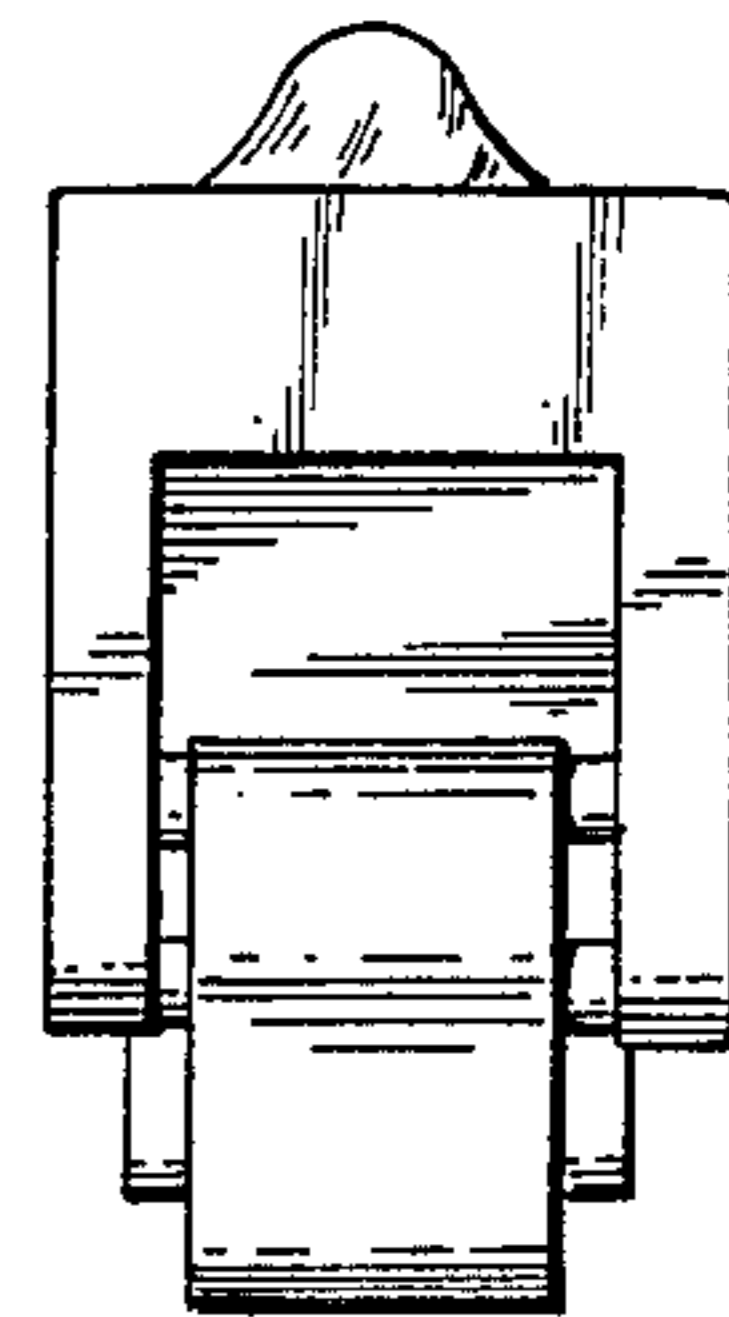


FIG. 3

FIG. 6

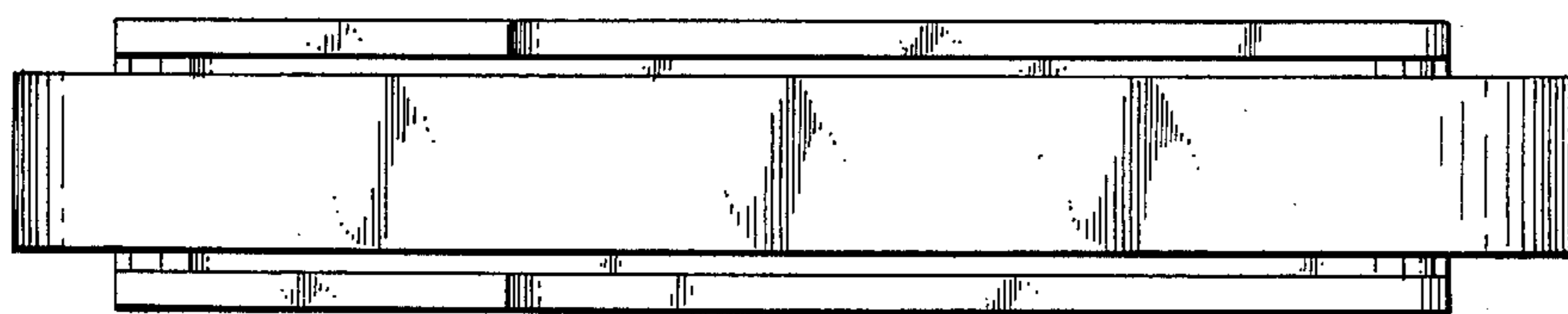


FIG. 4