

United States Patent [19]
Bailly

[11] **Patent Number: Des. 304,380**
[45] **Date of Patent: ** Oct. 31, 1989**

[54] **SLIDING HEADLIGHT**

[76] **Inventor: Francois Bailly, Haras Lesseirille,
95510 Aincourt, France**

[*] **Notice: The portion of the term of this patent
subsequent to Sep. 12, 2003 has been
disclaimed.**

[**] **Term: 14 Years**

[21] **Appl. No.: 883,840**

[22] **Filed: Jul. 9, 1986**

[30] **Foreign Application Priority Data**

Jan. 31, 1986 [FR] France 86 0478
[52] **U.S. Cl. D26/29**
[58] **Field of Search D26/28-36;
362/61, 72, 66, 80-83, 267, 275, 427, 285, 269,
362**

[56] **References Cited**

U.S. PATENT DOCUMENTS

D. 289,086 3/1987 Yabata D26/29
D. 291,252 8/1987 Ichikawa D26/29
4,509,106 4/1985 Mayer et al. 362/267

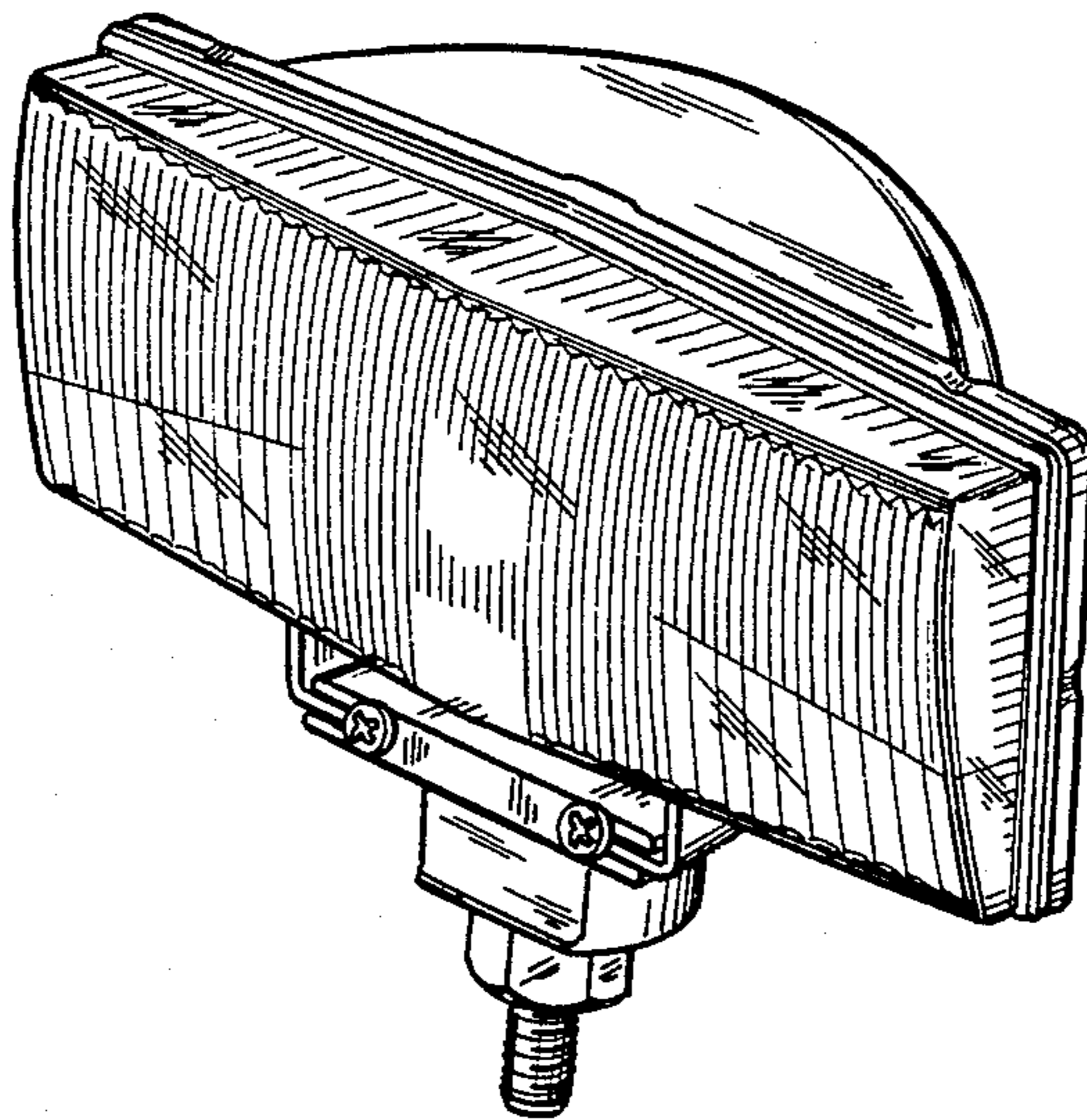
Primary Examiner—Susan J. Lucas
Attorney, Agent, or Firm—Fiddler & Levine

[57] **CLAIM**

The ornamental design for a sliding headlight, as shown
and described.

DESCRIPTION

FIG. 1 is a front elevational view of a sliding headlight
showing my new design;
FIG. 2 is a rear elevational view thereof;
FIG. 3 is a right side elevational view thereof;
FIG. 4 is a left side elevational view thereof;
FIG. 5 is a top plan view thereof;
FIG. 6 is a bottom plan view thereof; and
FIG. 7 is a perspective view thereof.



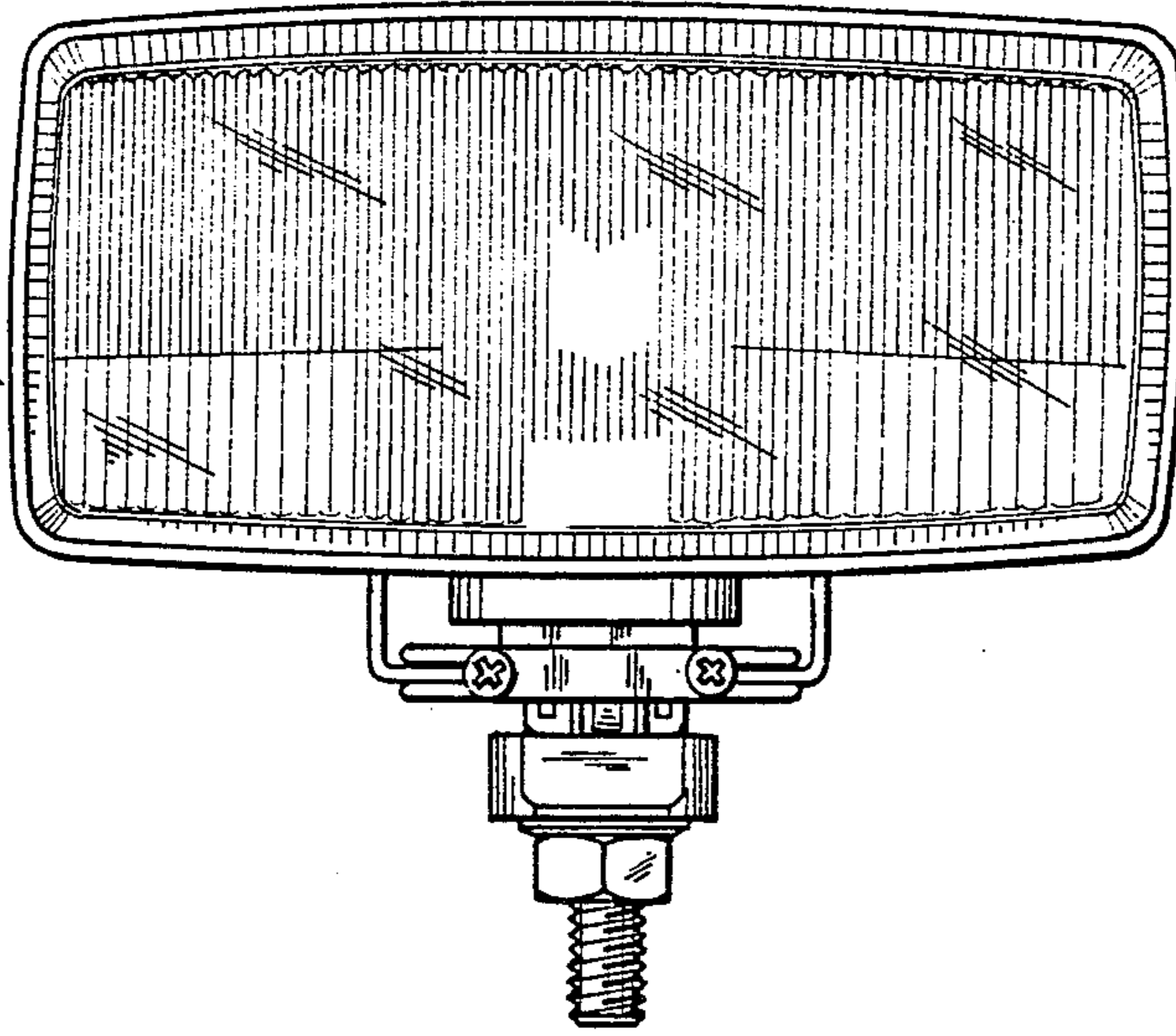


FIG. 1

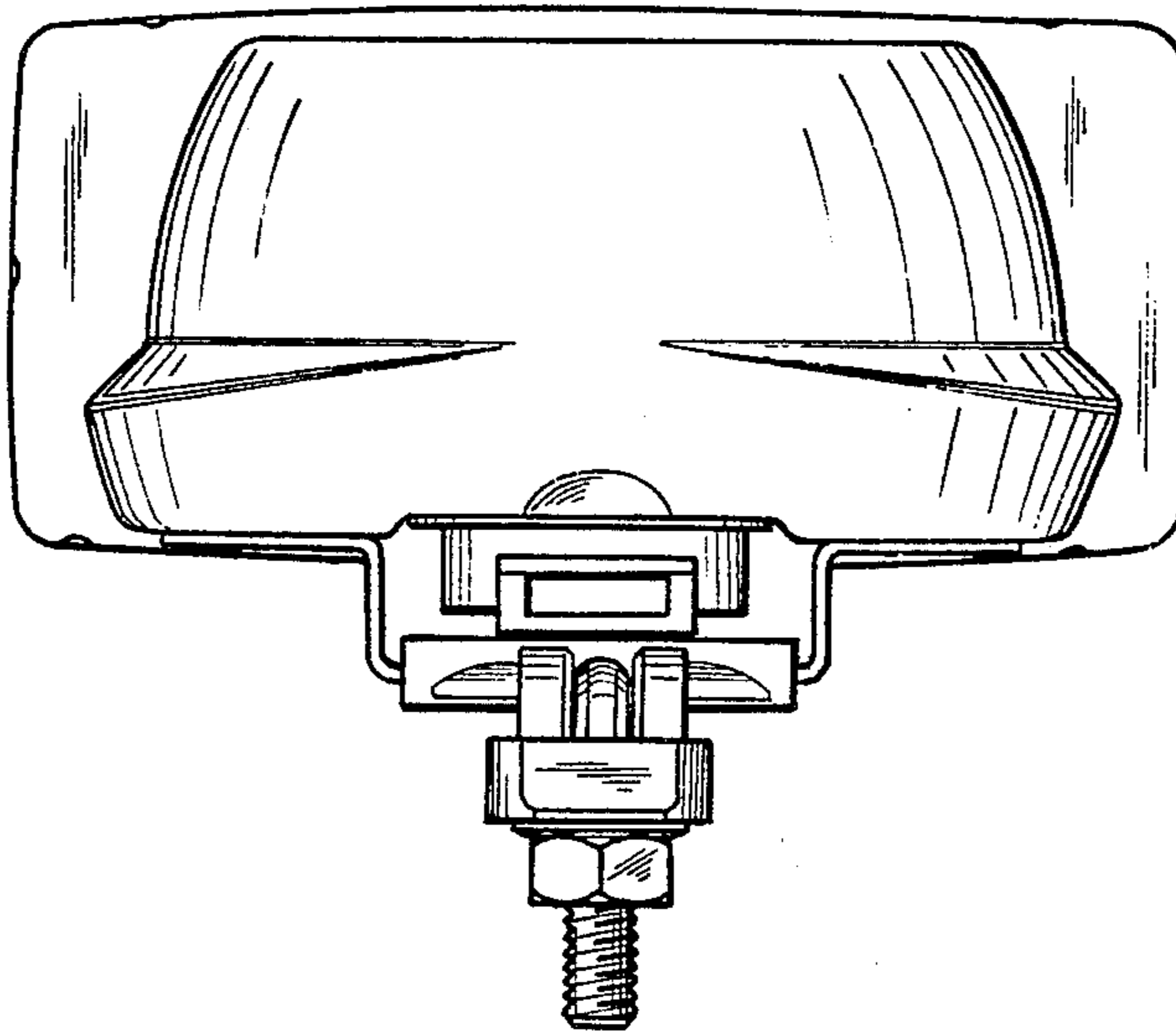


FIG. 2

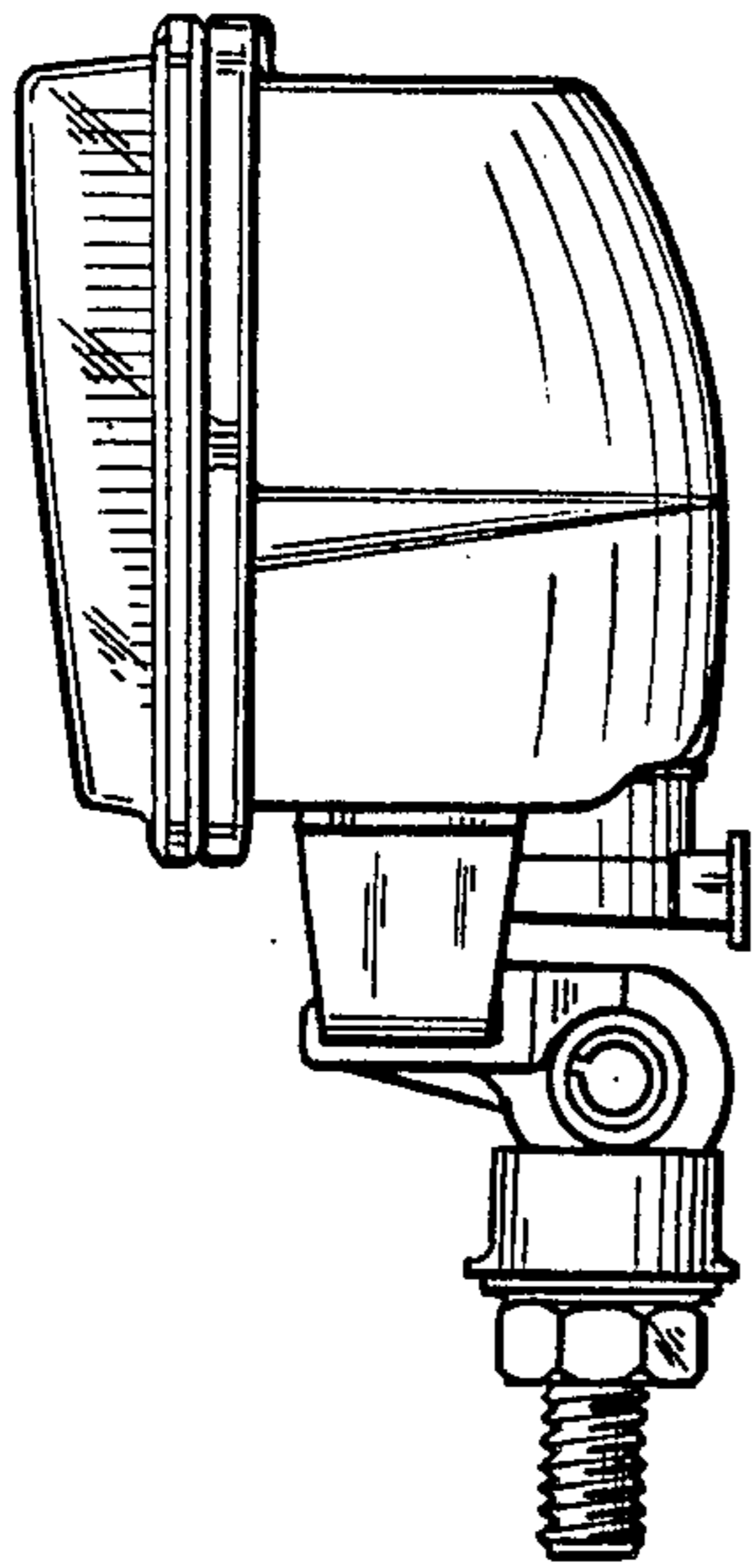


FIG. 3

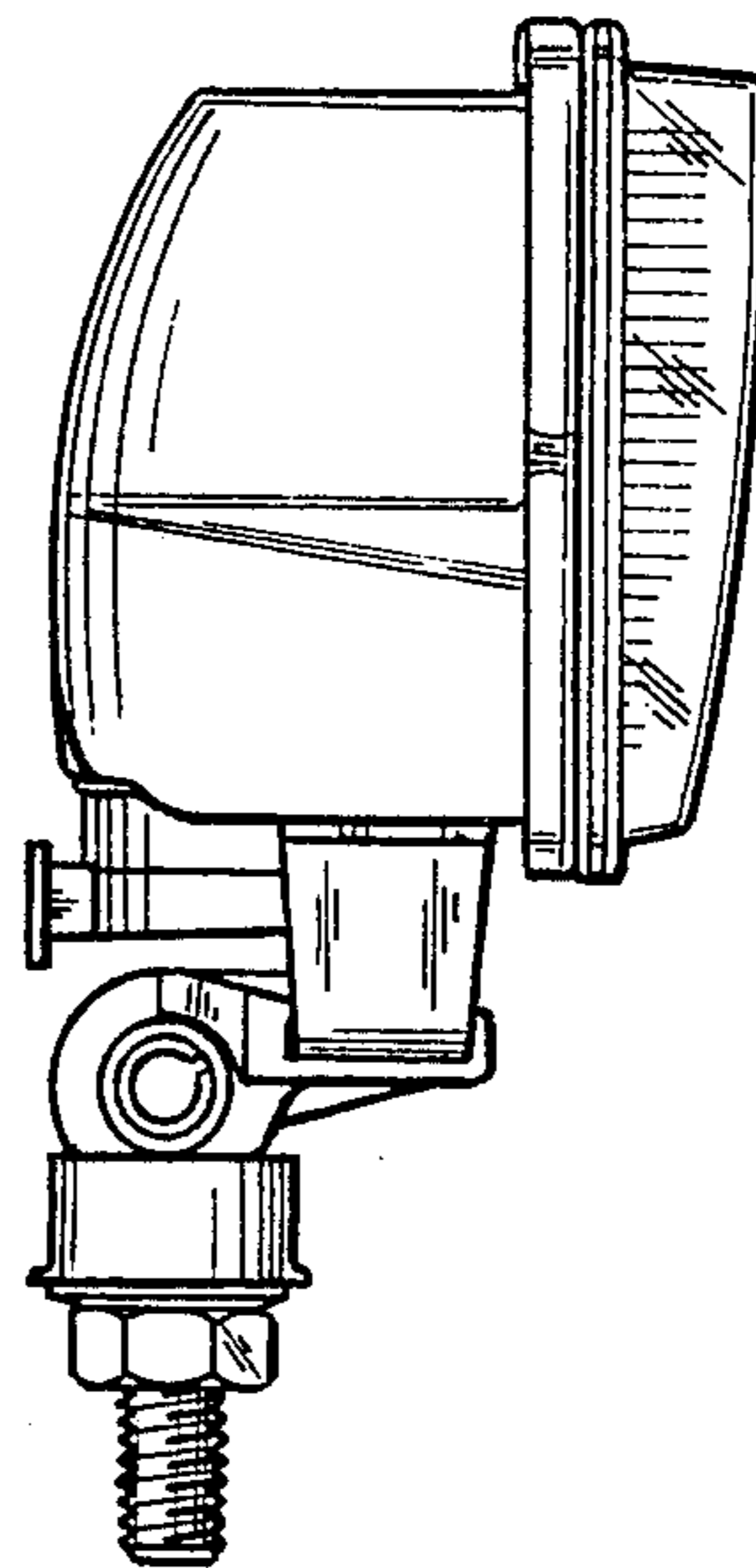


FIG. 4

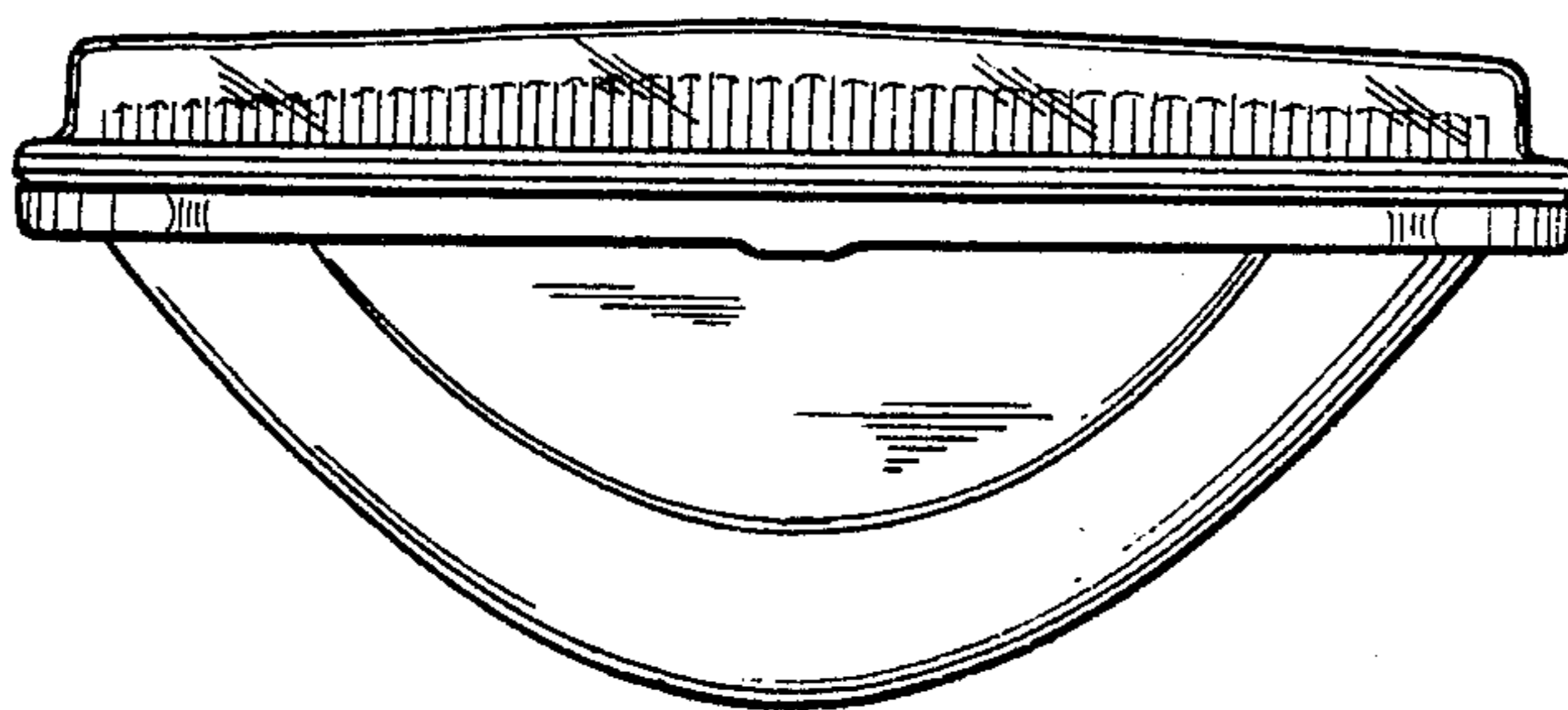


FIG. 5

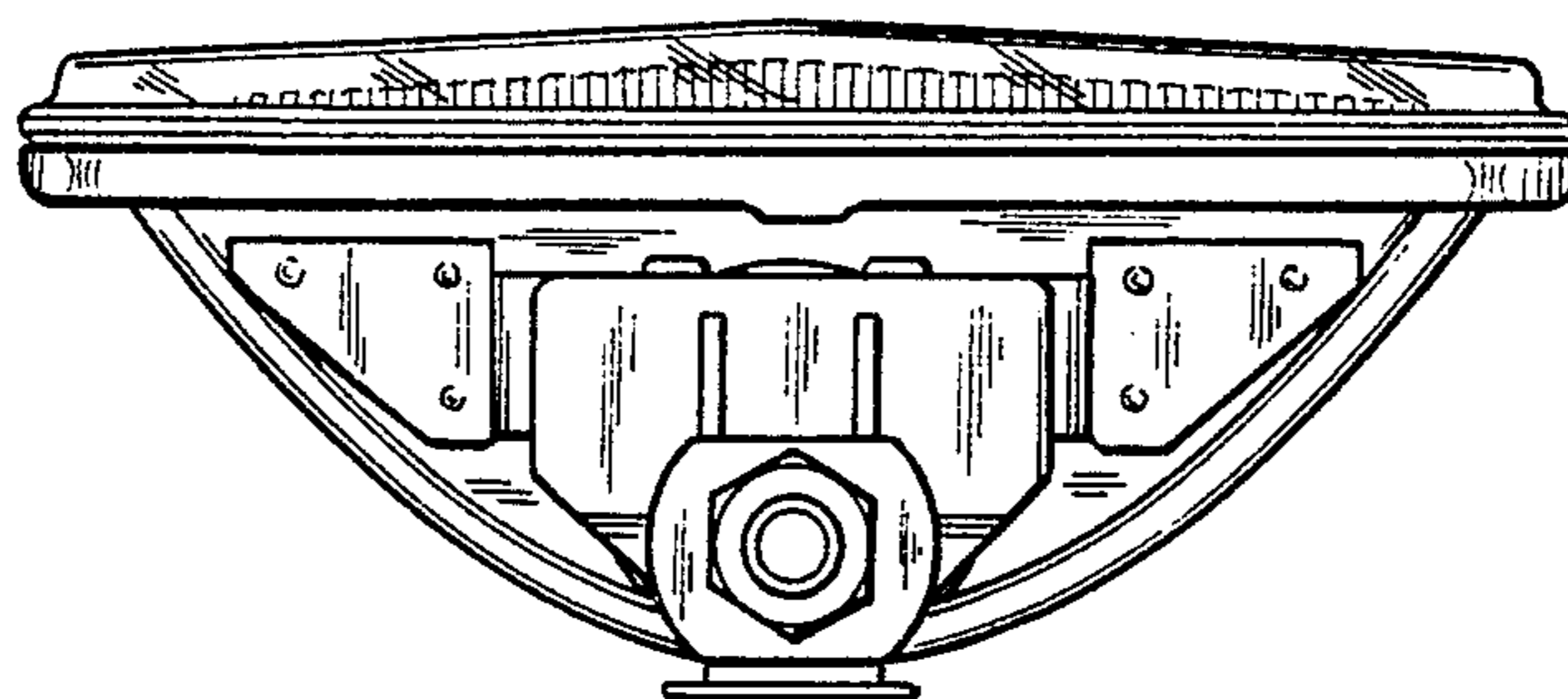


FIG. 6

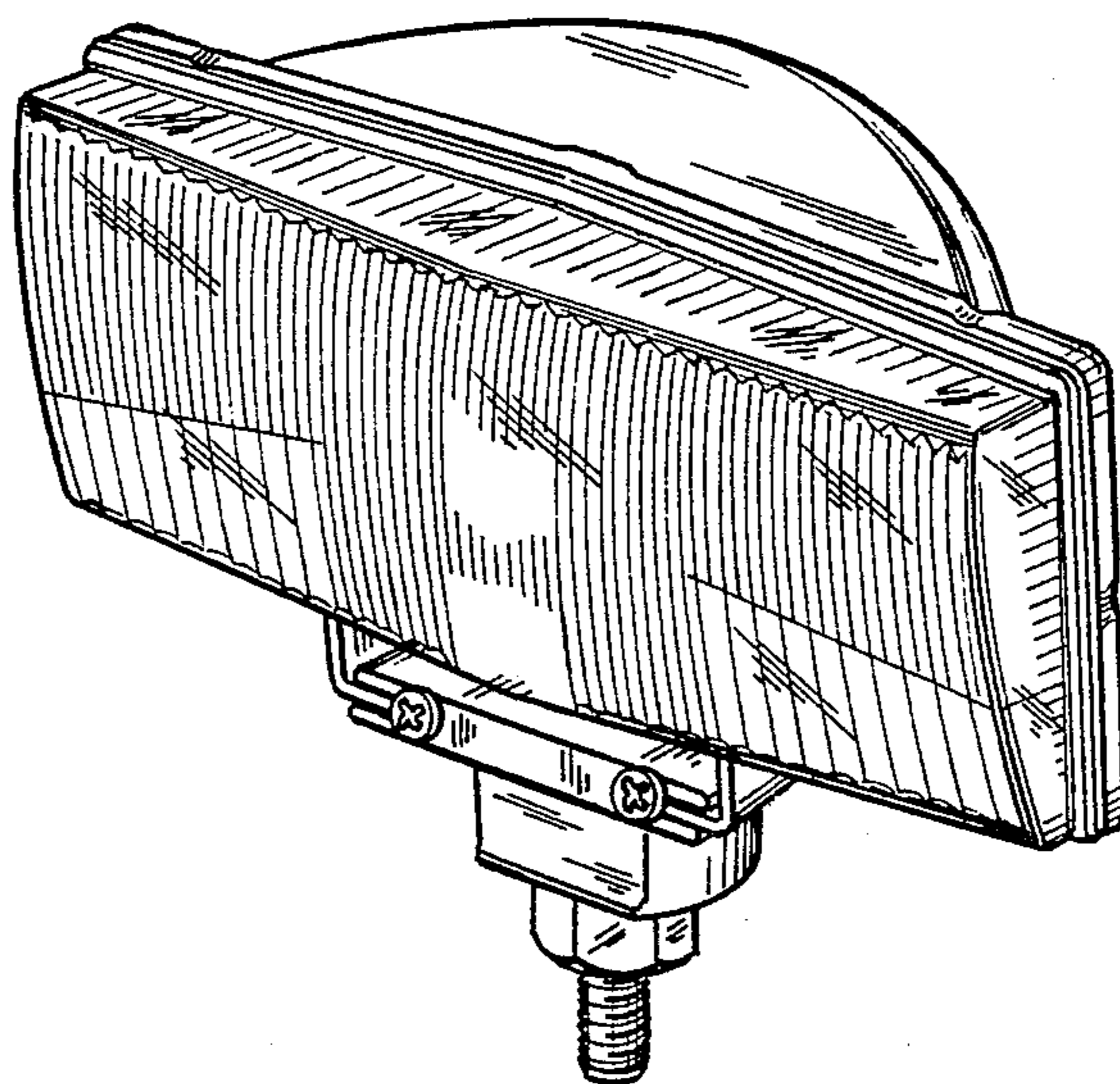


FIG. 7