

[54] FLUORESCENT LAMP

[75] Inventors: Toshiharu Fujita; Hiroyoshi Yamazaki; Noriyuki Maeda; Kazutaka Shimizu; Norihiko Tanaka; Yoshihiro Domon; Kiyoshi Iwasawa; Mitsuyuki Futatsugi; Fuminobu Takizawa; Masakatsu Suzuki; Makoto Kosaka, all of Kamakura, Japan

[73] Assignee: Mitsubishi Denki Kabushiki Kaisha, Tokyo, Japan

[**] Term: 14 Years

[21] Appl. No.: 909,338

[22] Filed: Sep. 19, 1986

[30] Foreign Application Priority Data

Mar. 20, 1986 [JP]	Japan	61-10346
May 9, 1986 [JP]	Japan	61-17419
May 9, 1986 [JP]	Japan	61-17420
May 9, 1986 [JP]	Japan	61-17421

[52] U.S. Cl. D26/3

[58] Field of Search D26/1, 2, 3; 313/315, 313/317, 318, 491, 493, 110, 113, 116, 25; 315/56, 57, 58, 73

[56] References Cited

U.S. PATENT DOCUMENTS

D. 271,907	12/1983	Nanba	D26/3
D. 291,124	7/1987	Blaisdell et al.	D26/3
D. 291,358	8/1987	Witte	D26/3
D. 292,320	10/1987	Futatsugi et al.	D26/3
4,748,380	5/1988	MacDonald et al.	315/57

Primary Examiner—Susan J. Lucas

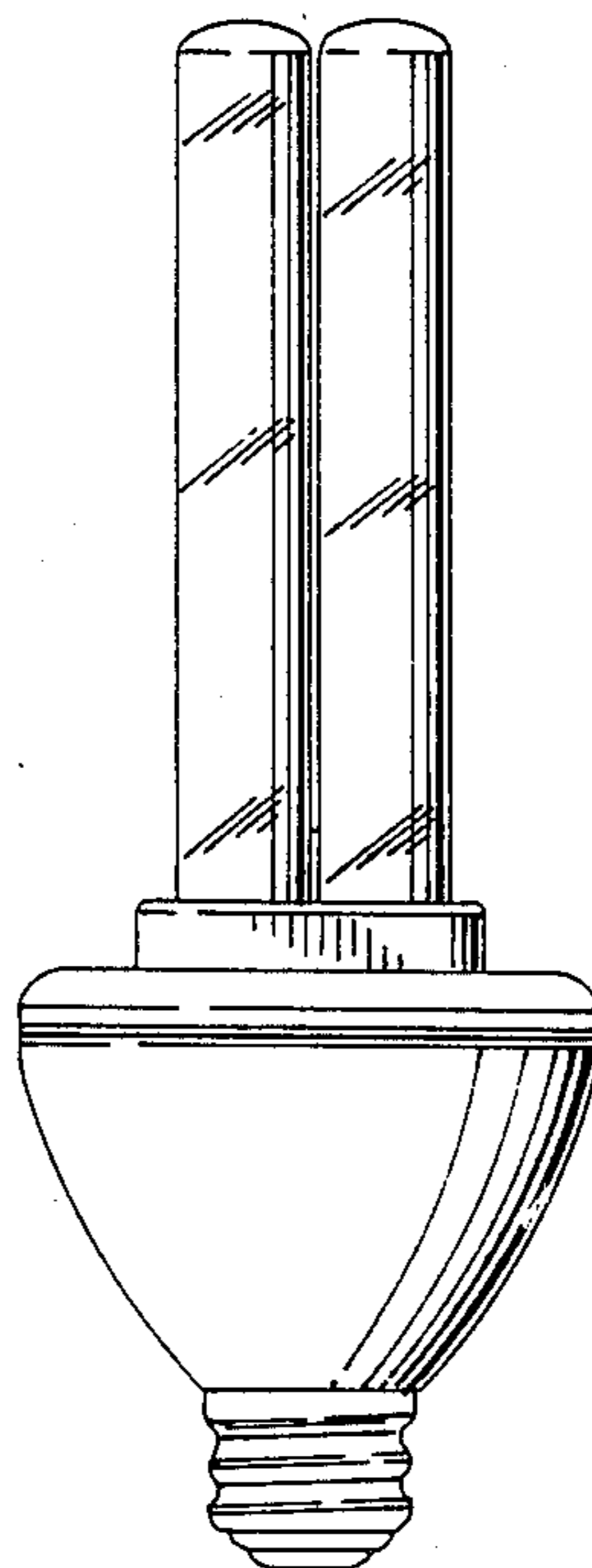
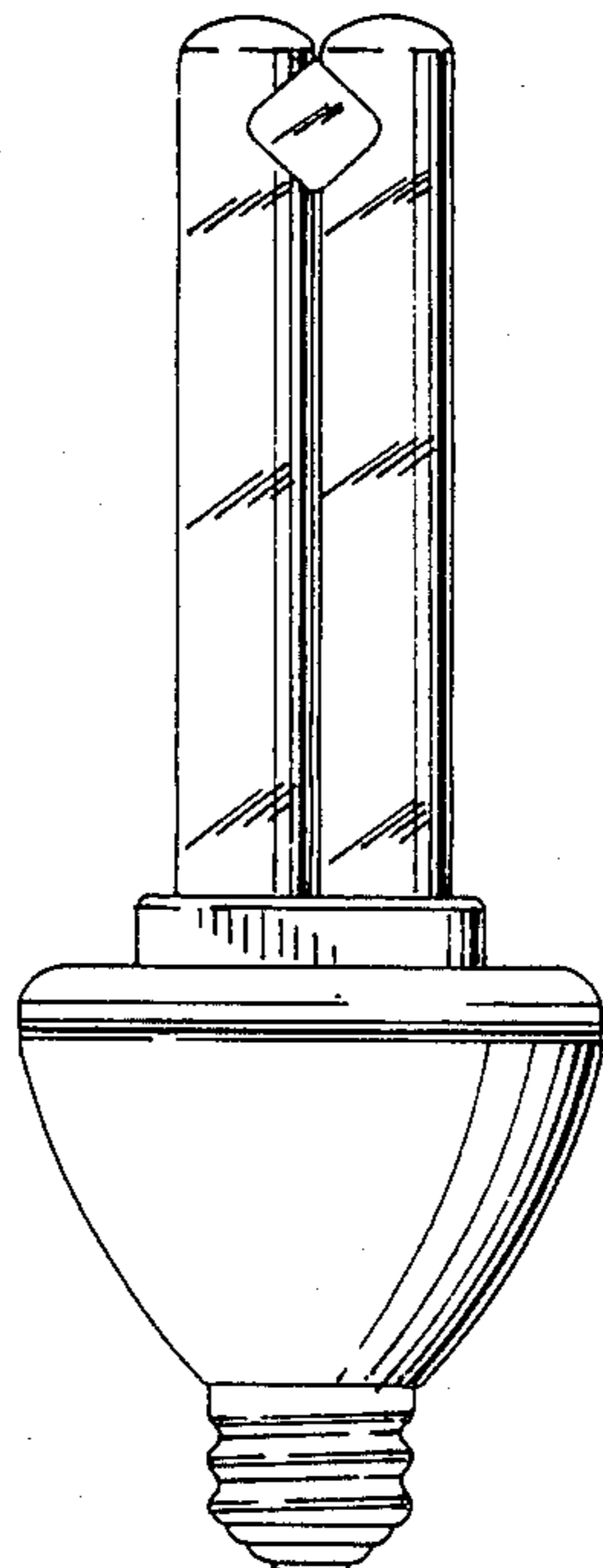
Attorney, Agent, or Firm—Oblon, Spivak, McClelland, Maier & Neustadt

[57] CLAIM

The ornamental design for a fluorescent lamp, as shown and described.

DESCRIPTION

FIG. 1 is a front elevational view of a fluorescent lamp showing our new design, the rear being identical; FIG. 2 is a left side elevational view thereof; FIG. 3 is a right side elevational view thereof; FIG. 4 is a top plan view thereof; FIG. 5 is a bottom plan view thereof; FIG. 6 is a front elevational view of a second embodiment of our new design, the rear being identical; FIG. 7 is a left side elevational view thereof; FIG. 8 is a right side elevational view thereof; FIG. 9 is a top plan view thereof; FIG. 10 is a bottom plan view thereof; FIG. 11 is an enlarged cross sectional view of the second embodiment as taken along line 11—11 of FIG. 6; FIG. 12 is a front elevational view of a third embodiment of our new design, the rear being identical; FIG. 13 is a left side elevational view thereof; FIG. 14 is a right side elevational view thereof; FIG. 15 is a top plan view thereof; FIG. 16 is a bottom plan view thereof; FIG. 17 is an enlarged cross-sectional view of the third embodiment as taken along line 17—17 in FIG. 12; FIG. 18 is a front elevational view of a fourth embodiment of our new design, the rear being identical; FIG. 19 is a left side elevational view thereof; FIG. 20 is a right side elevational view thereof; FIG. 21 is a top plan view thereof; FIG. 22 is a bottom plan view thereof; FIG. 23 is an enlarged cross-sectional view of the fourth embodiment as taken along line 23—23 of FIG. 18.



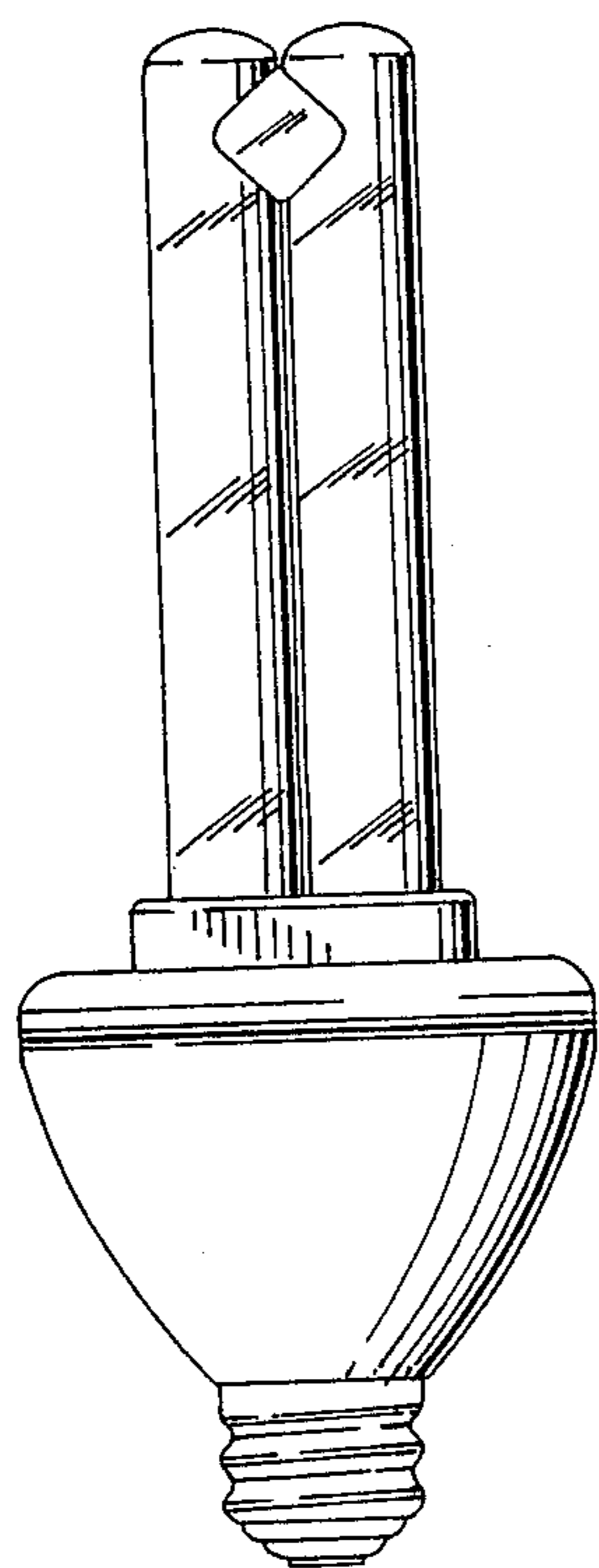


FIG. 1

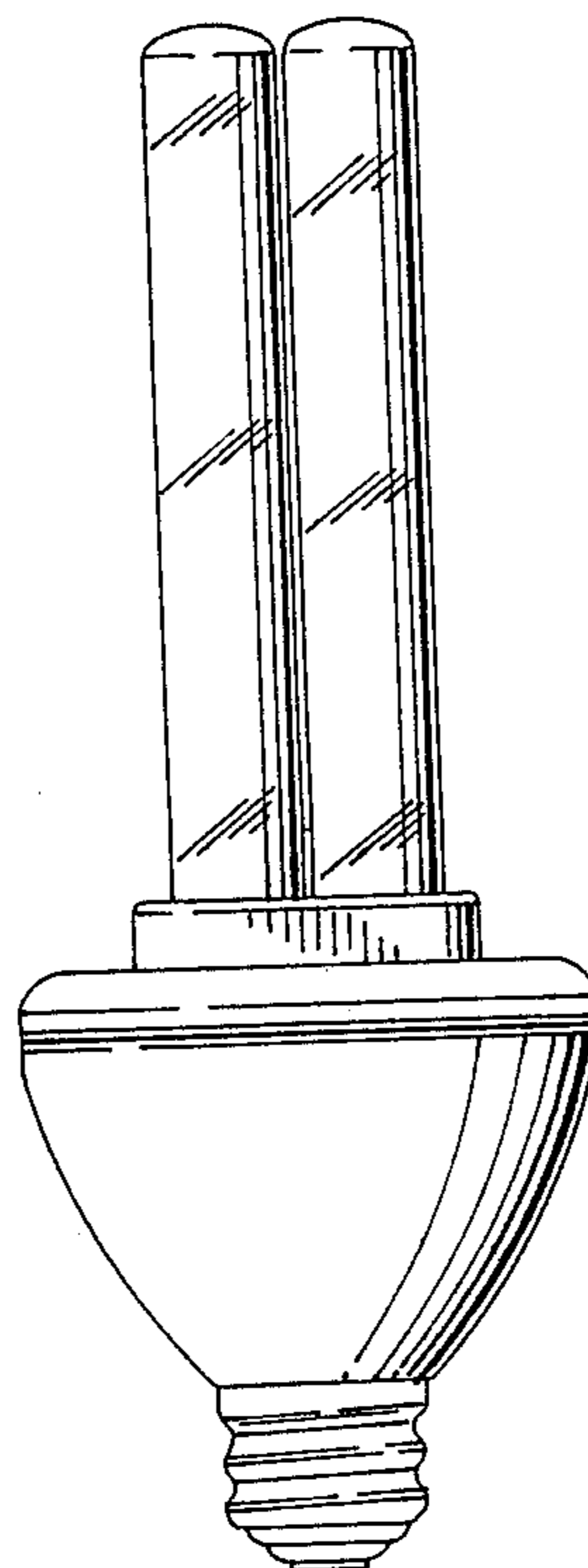


FIG. 2

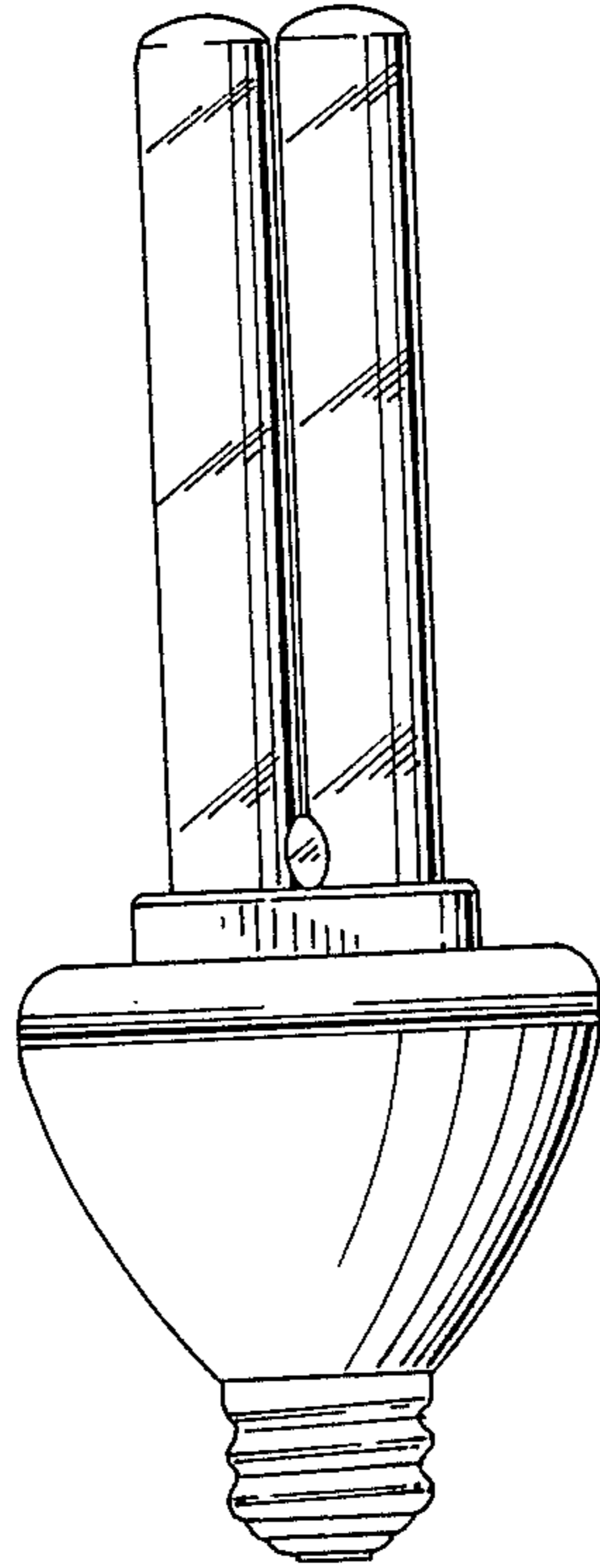


FIG. 3

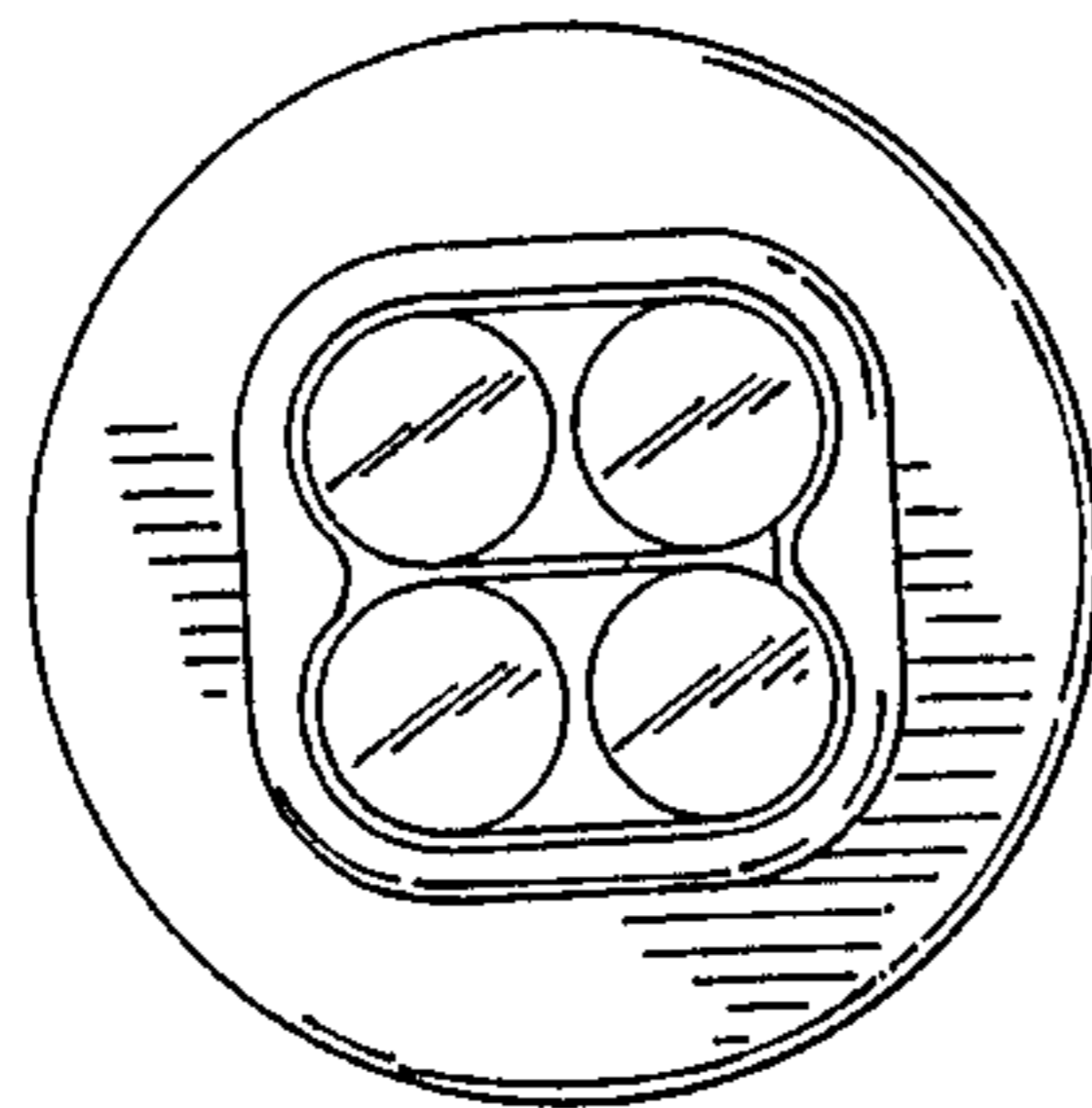


FIG. 4

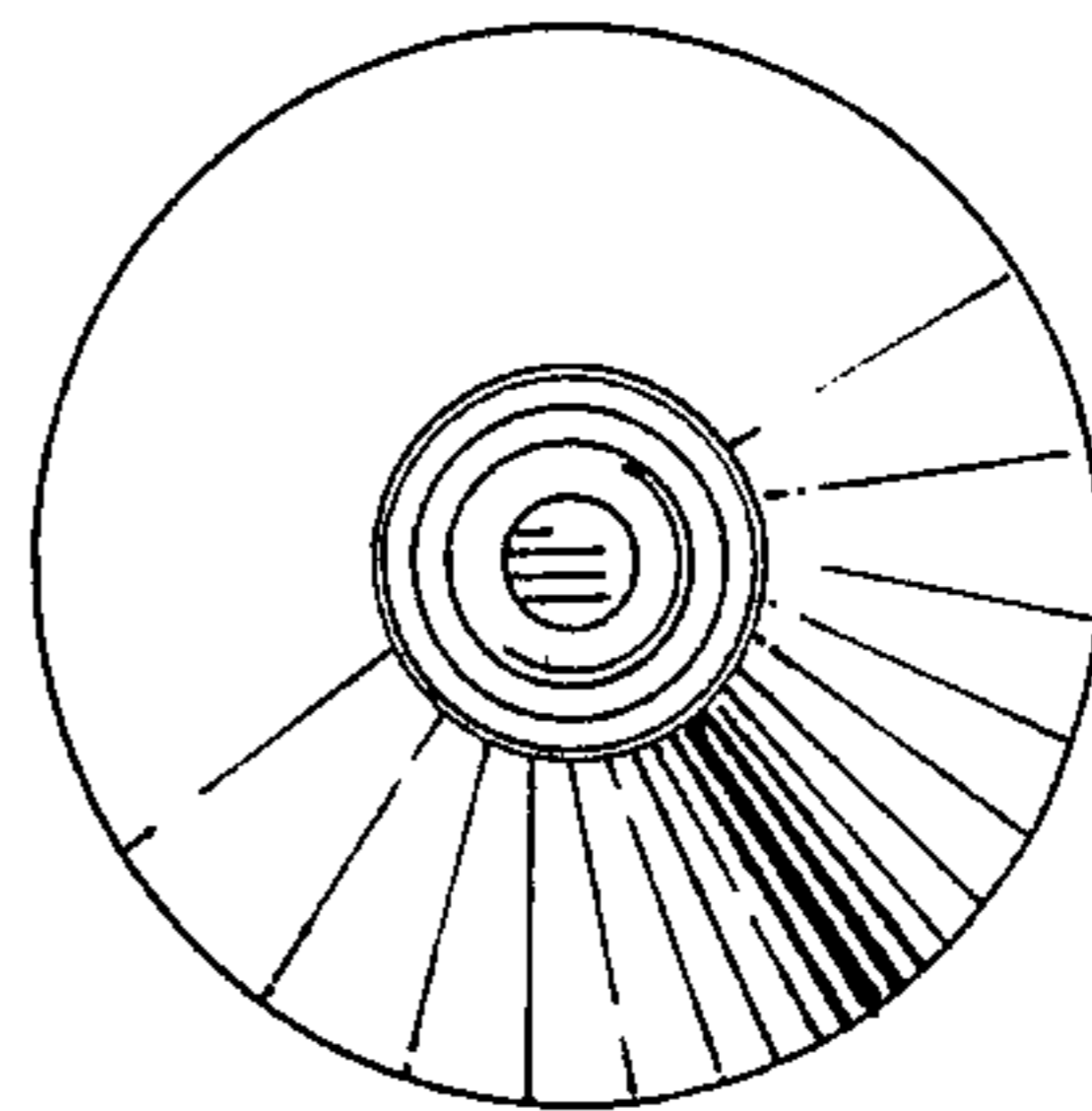


FIG. 5

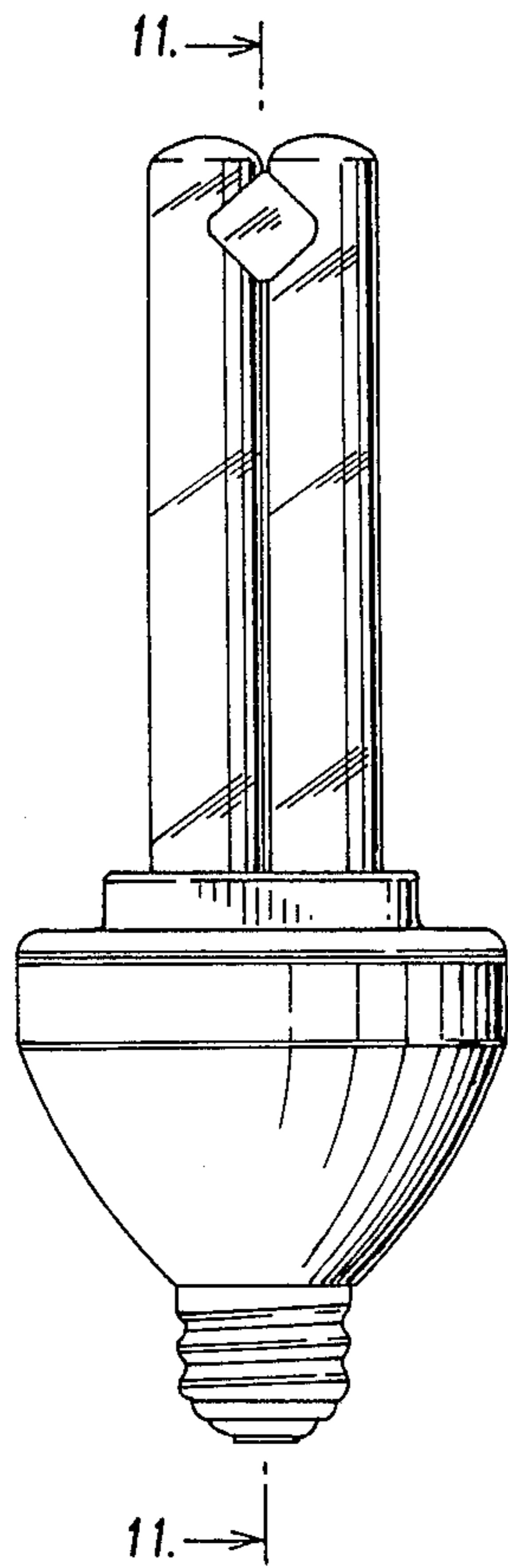


FIG. 6

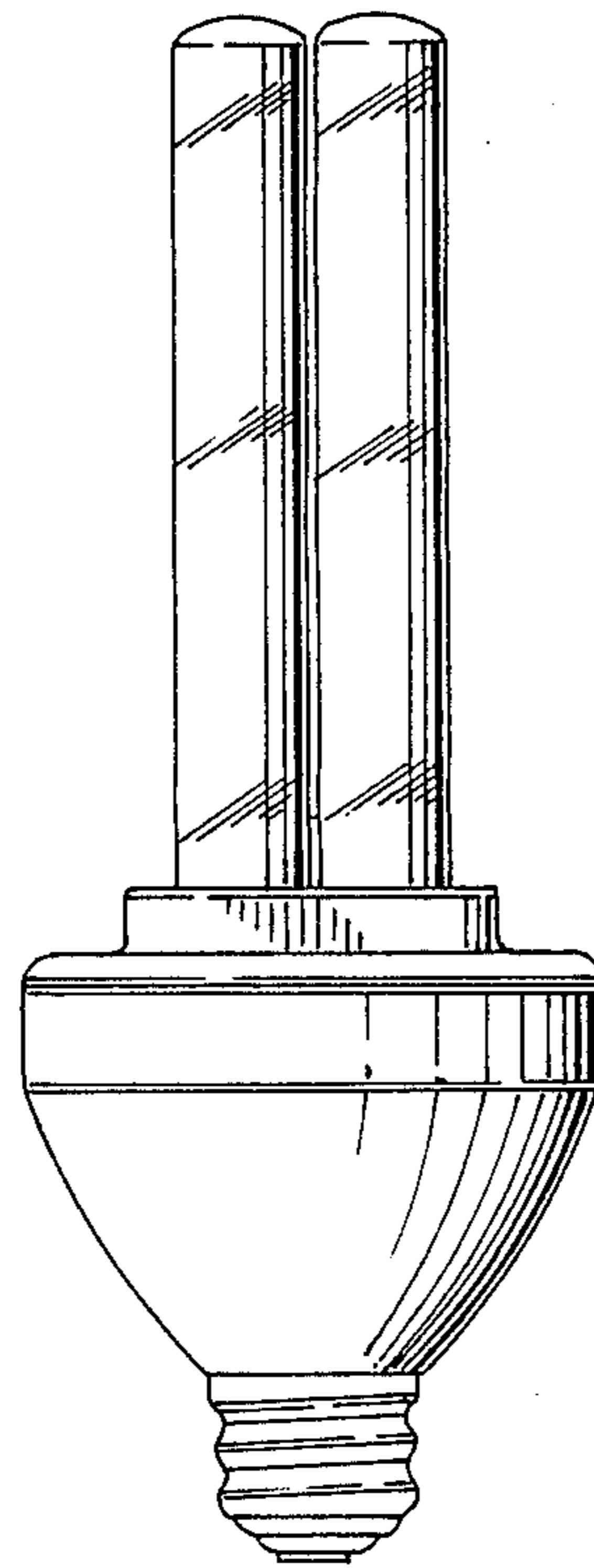


FIG. 7

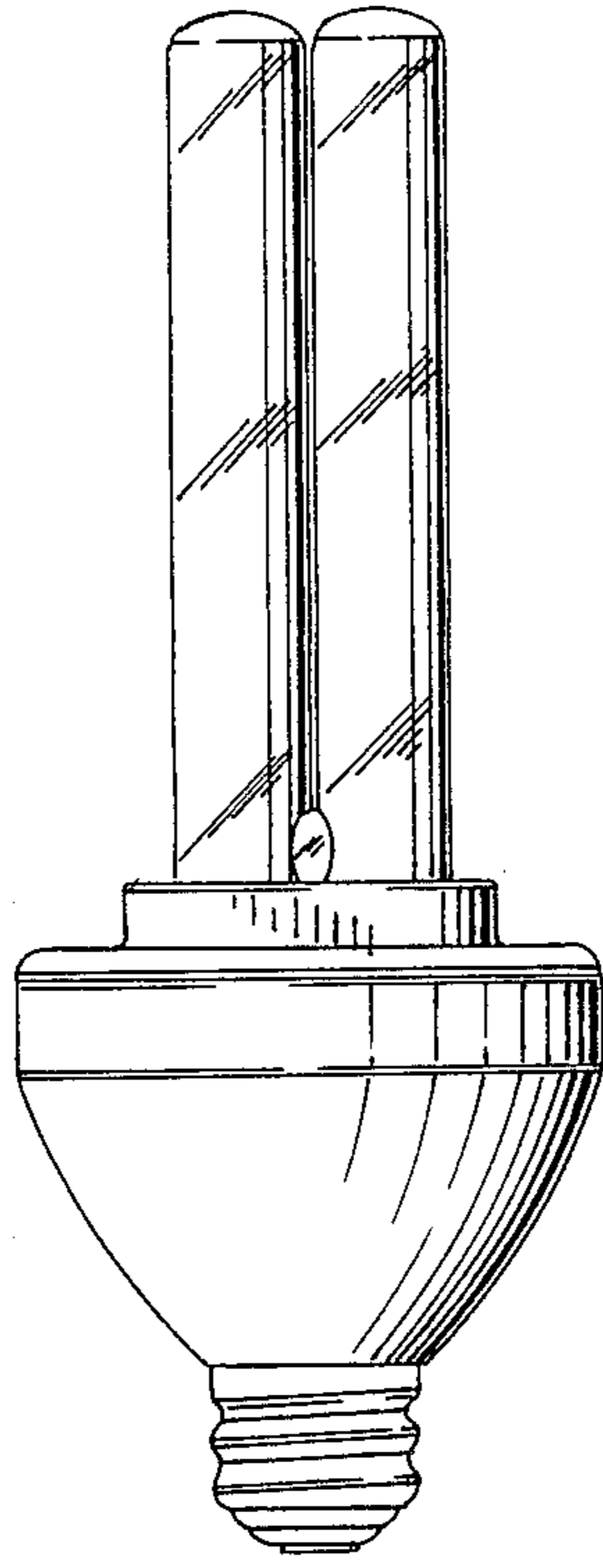


FIG. 8

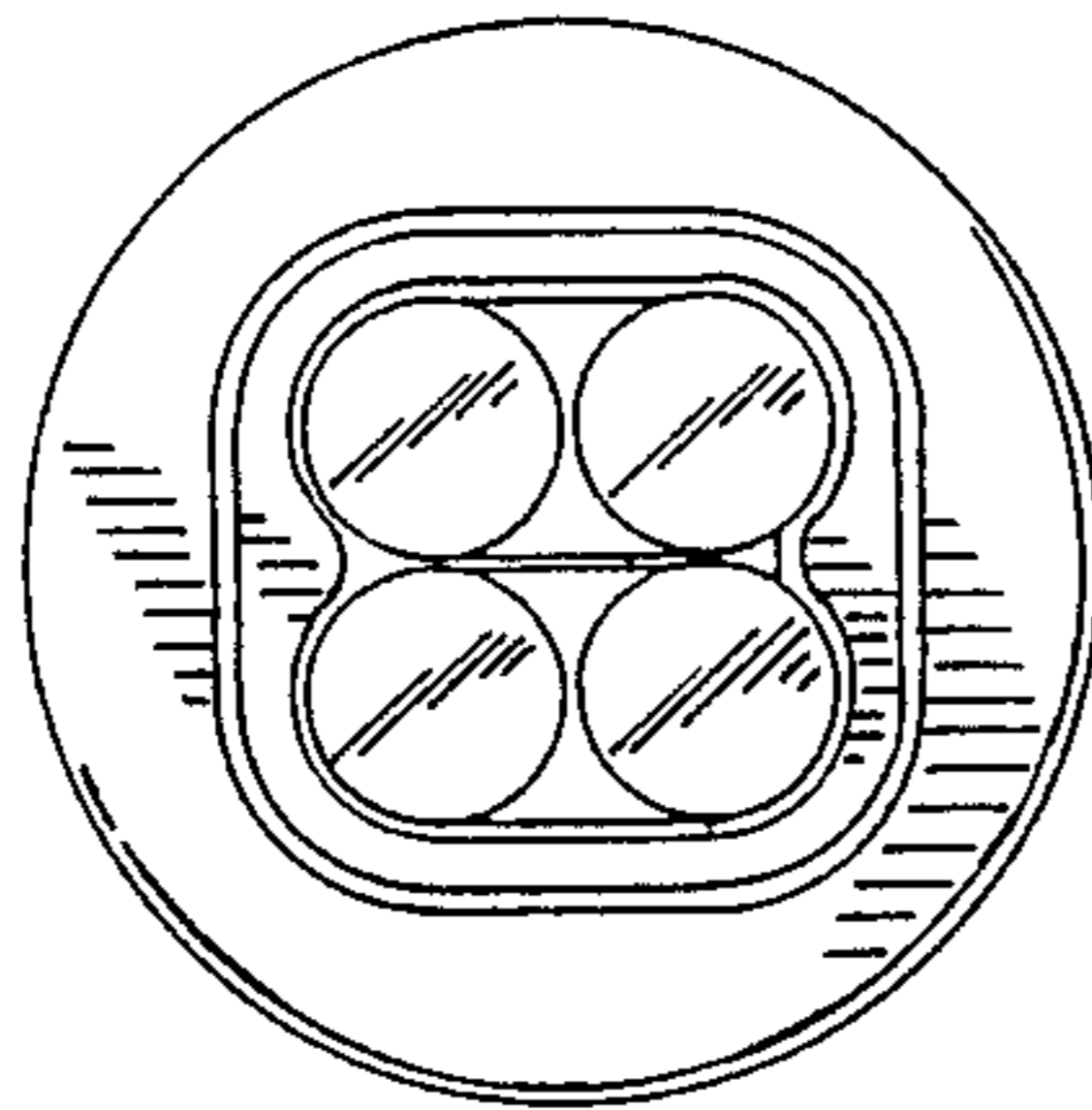


FIG. 9

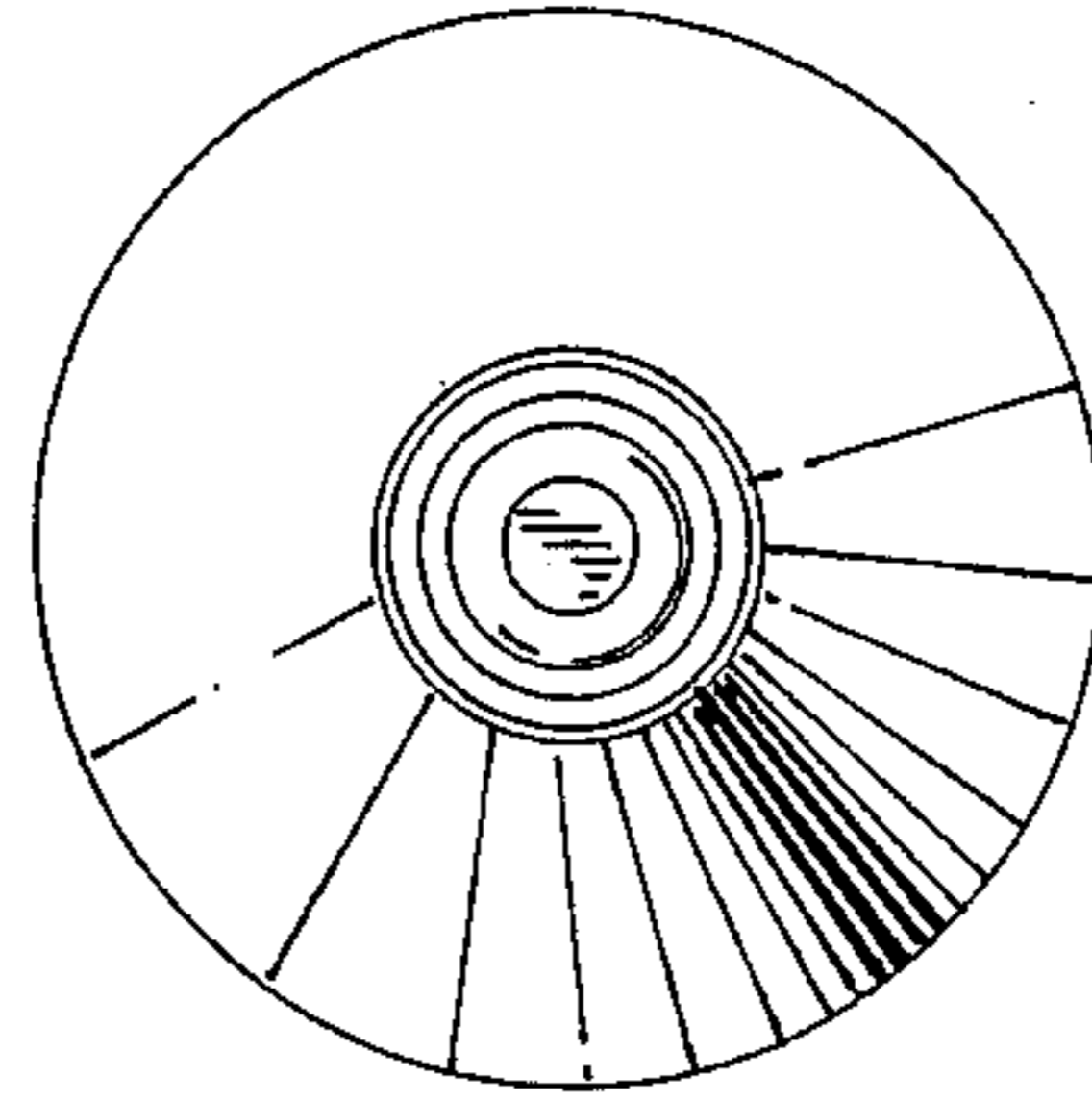


FIG. 10

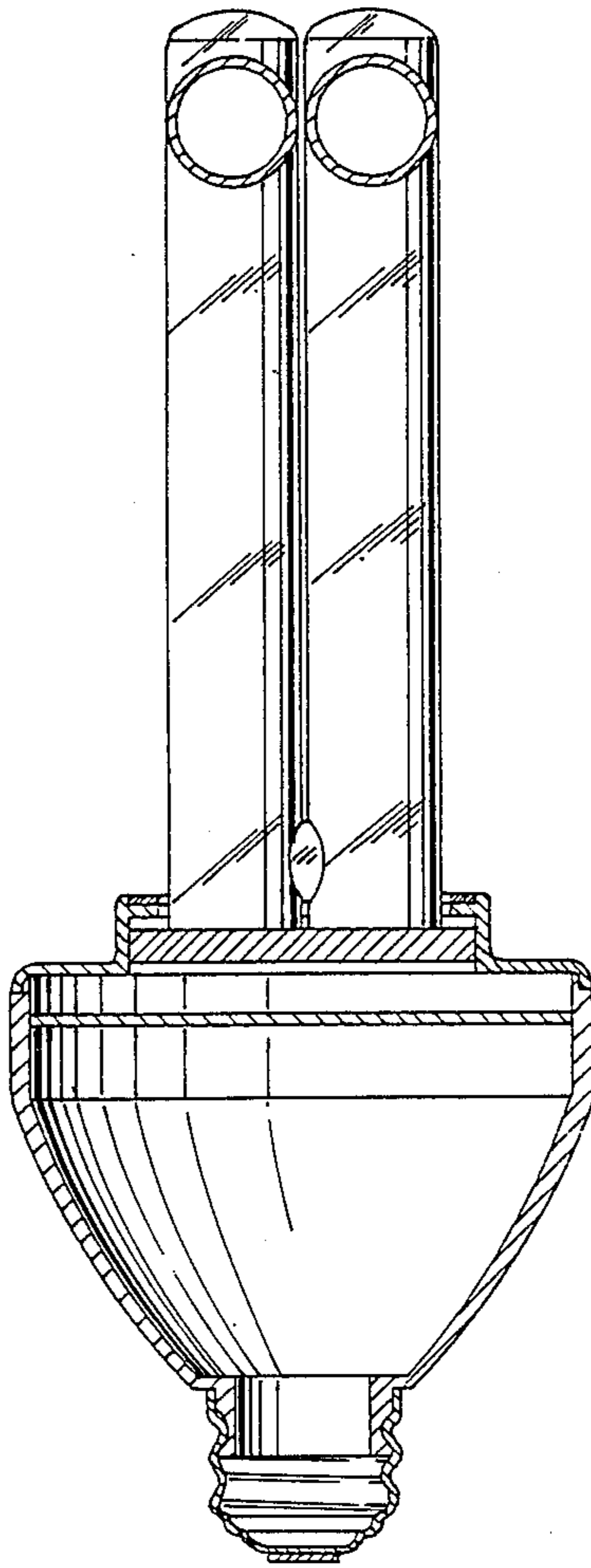


FIG. 11

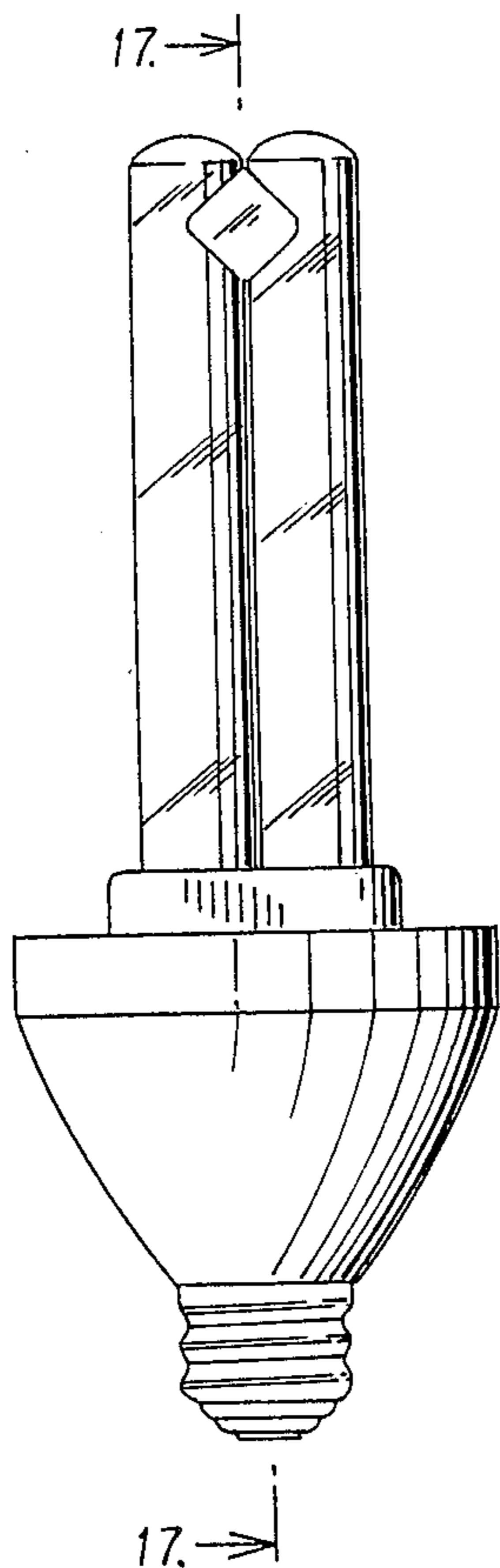


FIG. 12

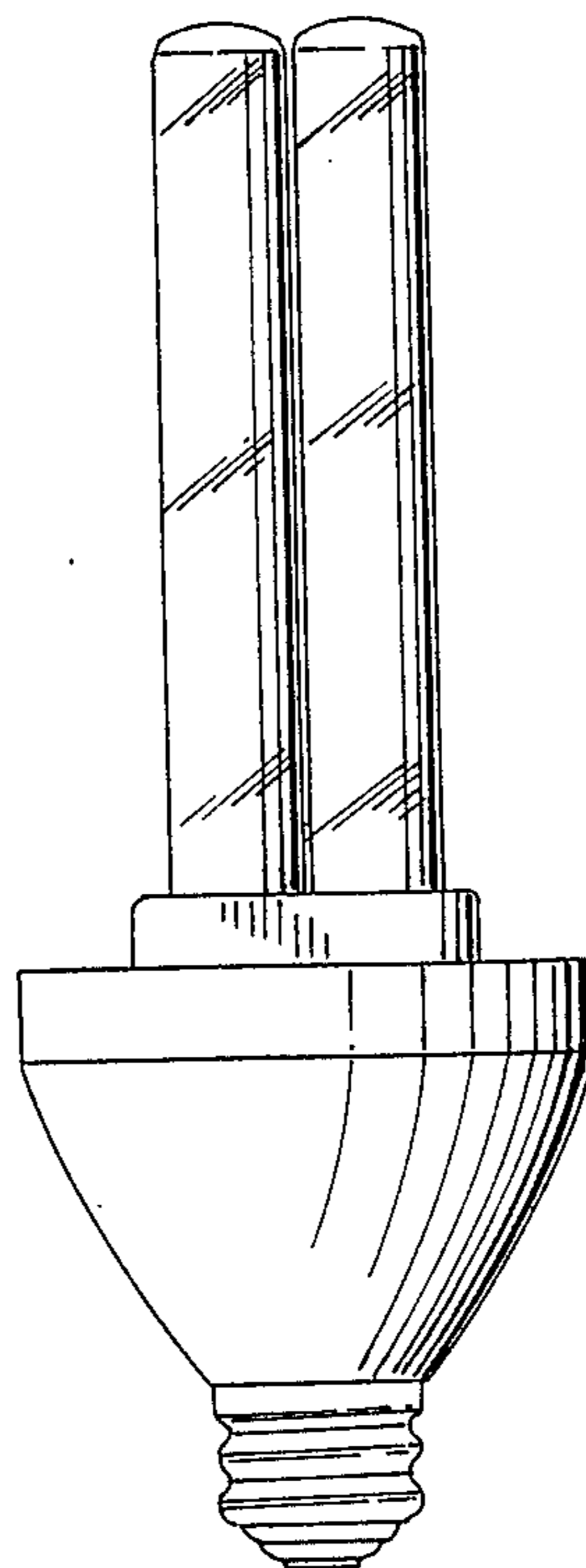


FIG. 13

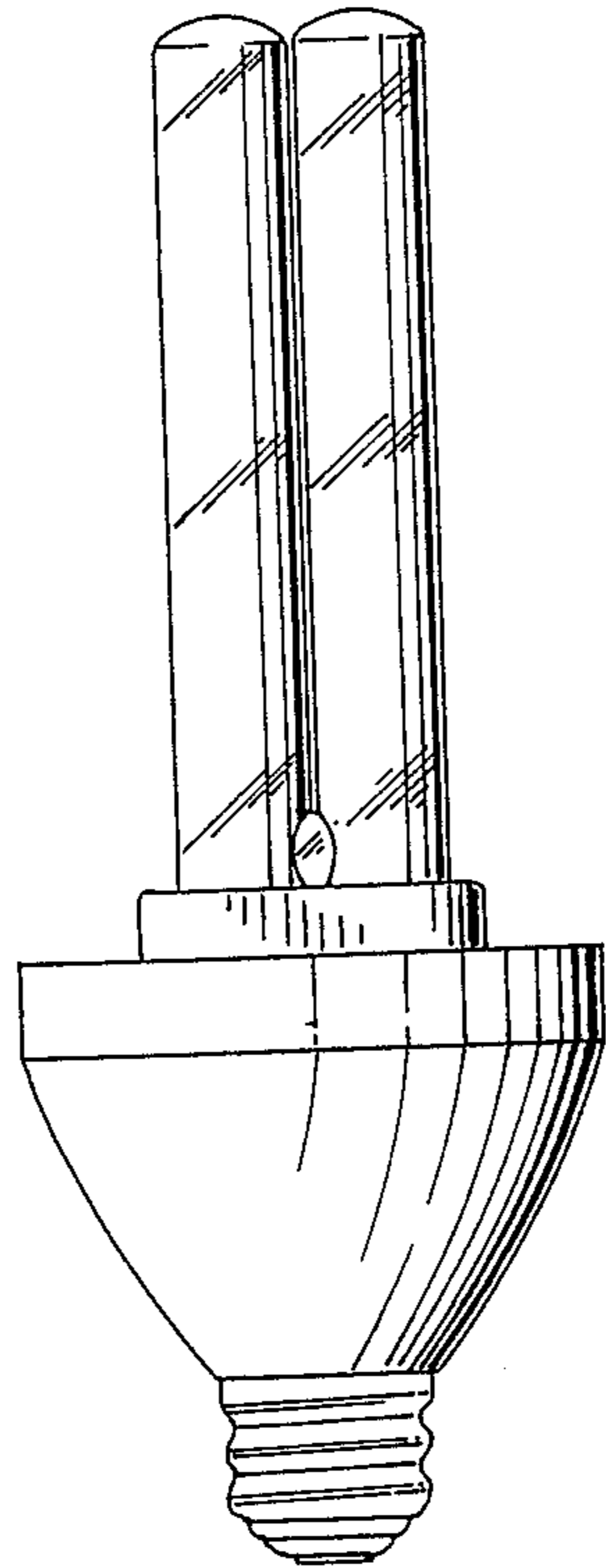


FIG. 14

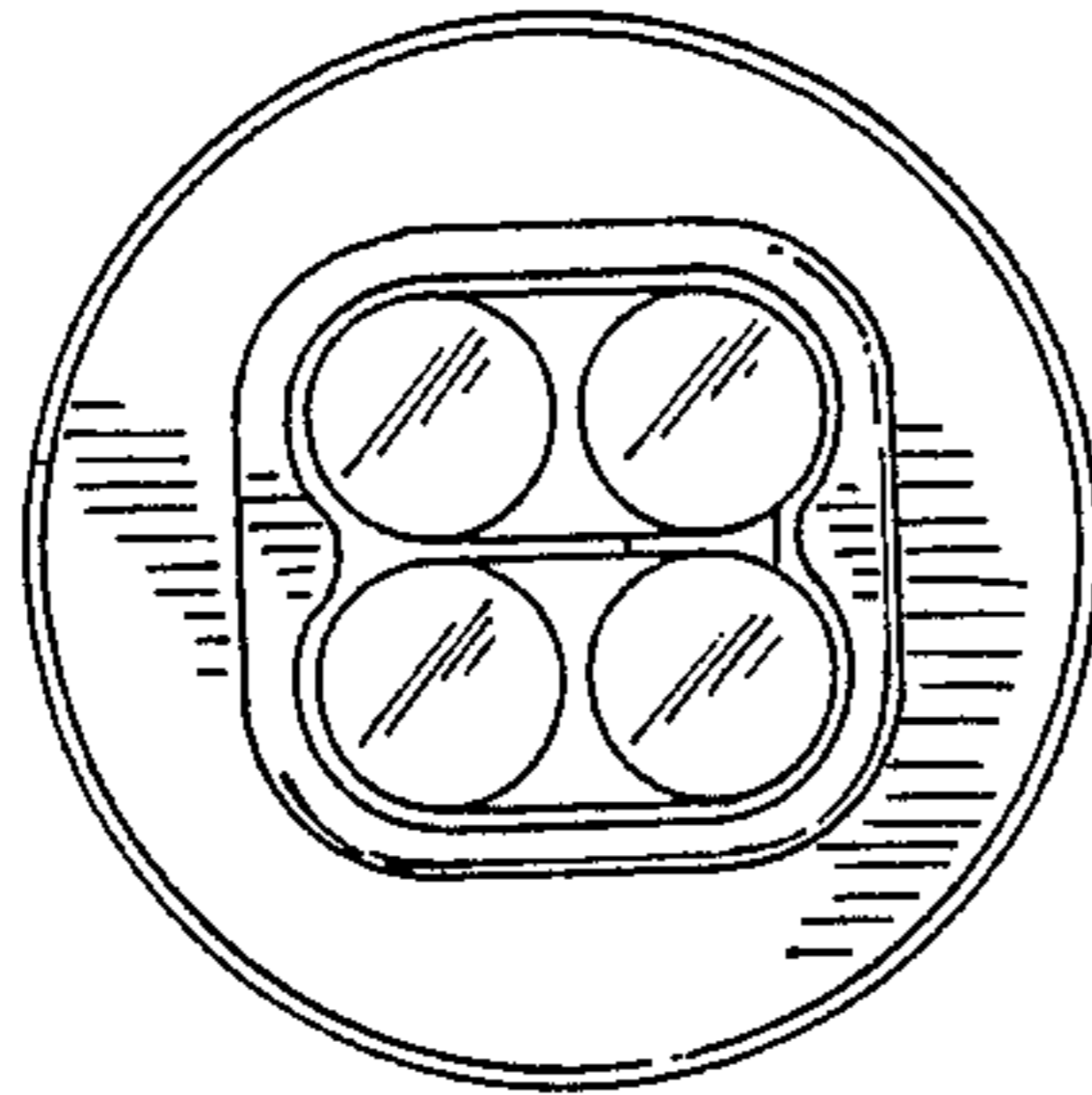


FIG. 15

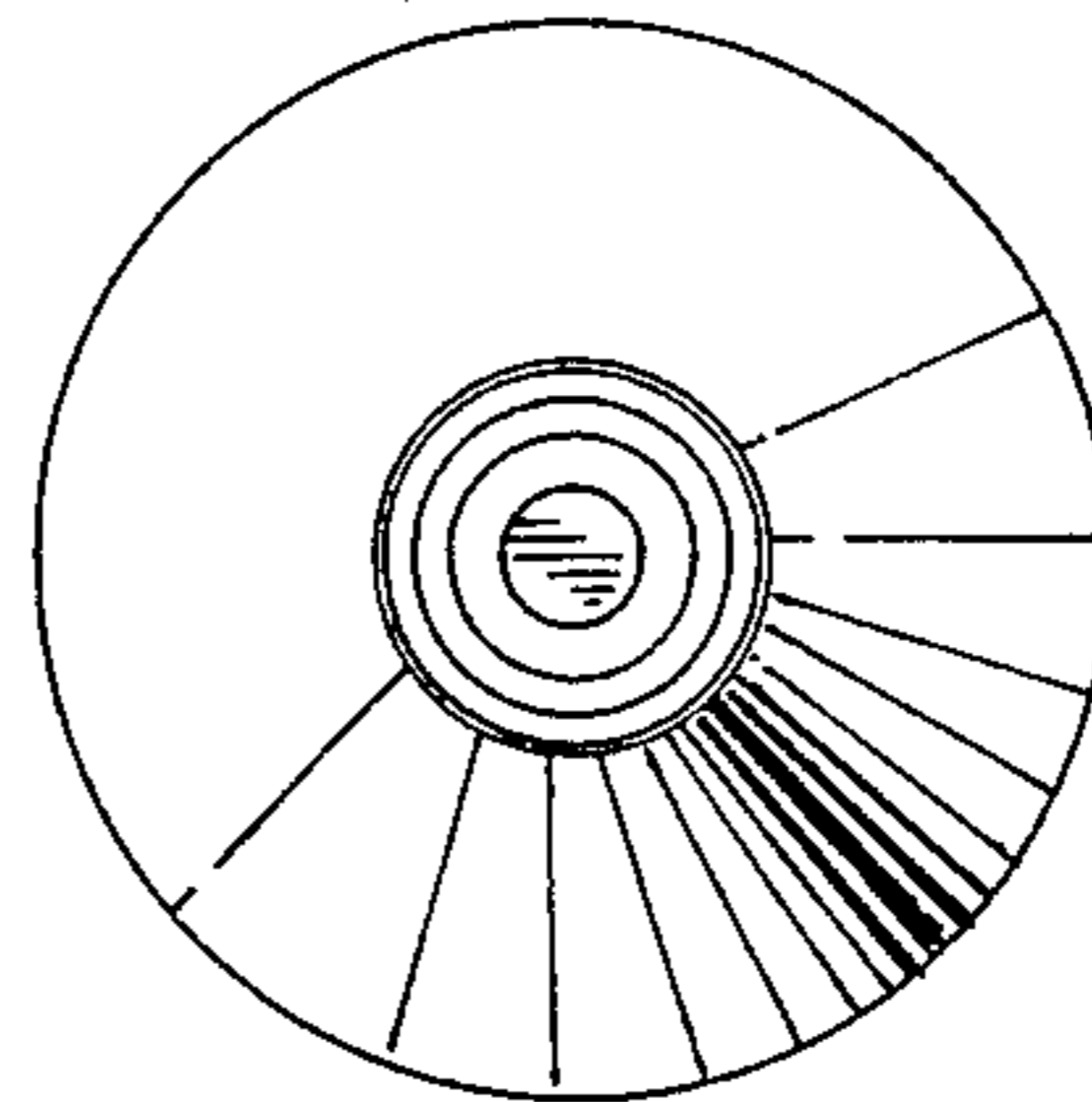


FIG. 16

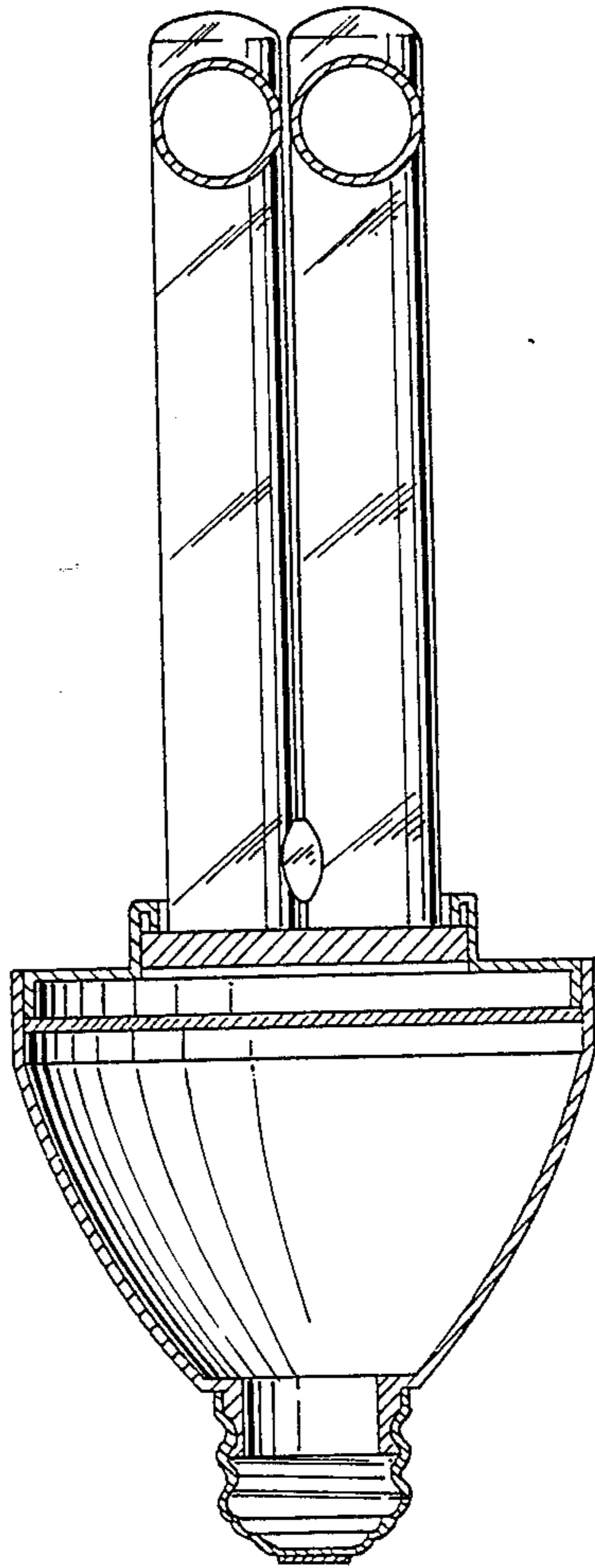


FIG. 17

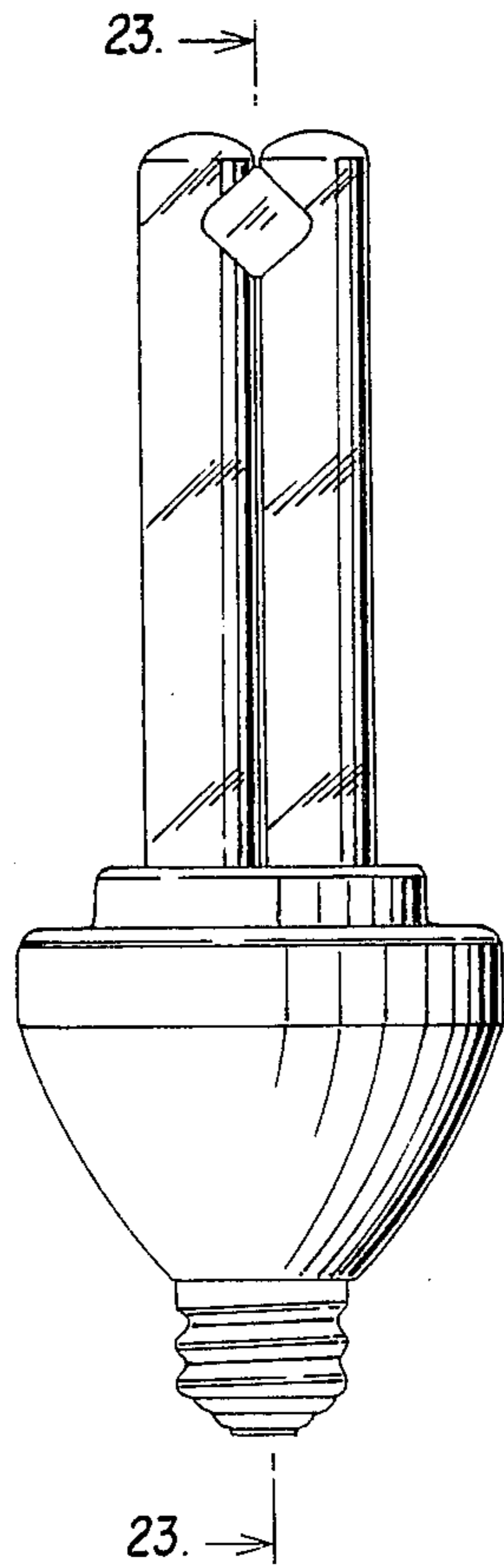


FIG. 18

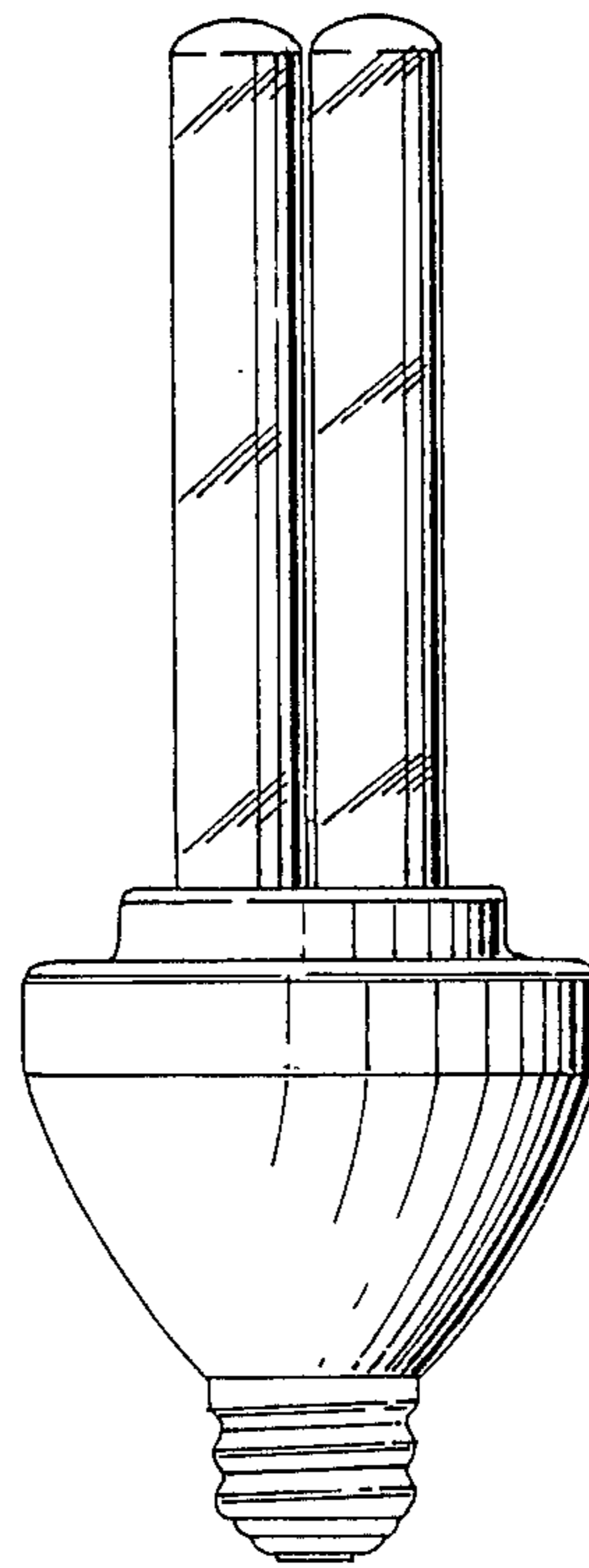


FIG. 19

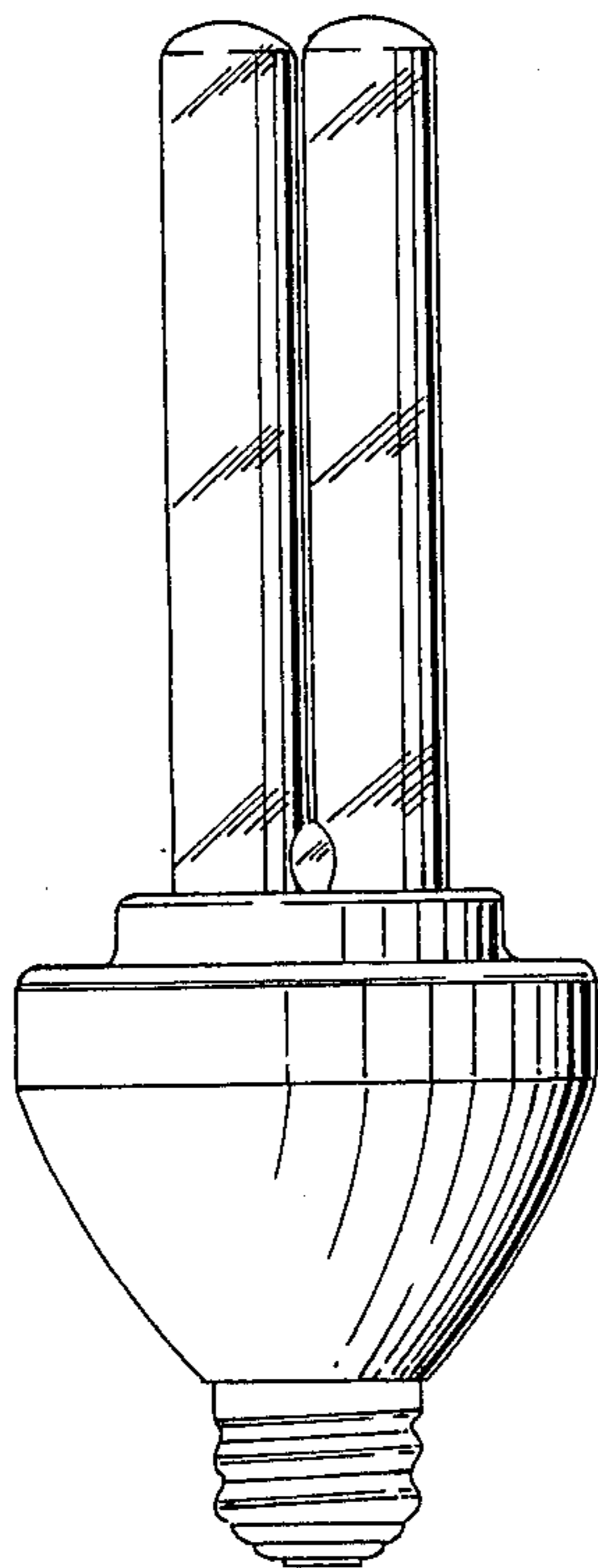


FIG. 20

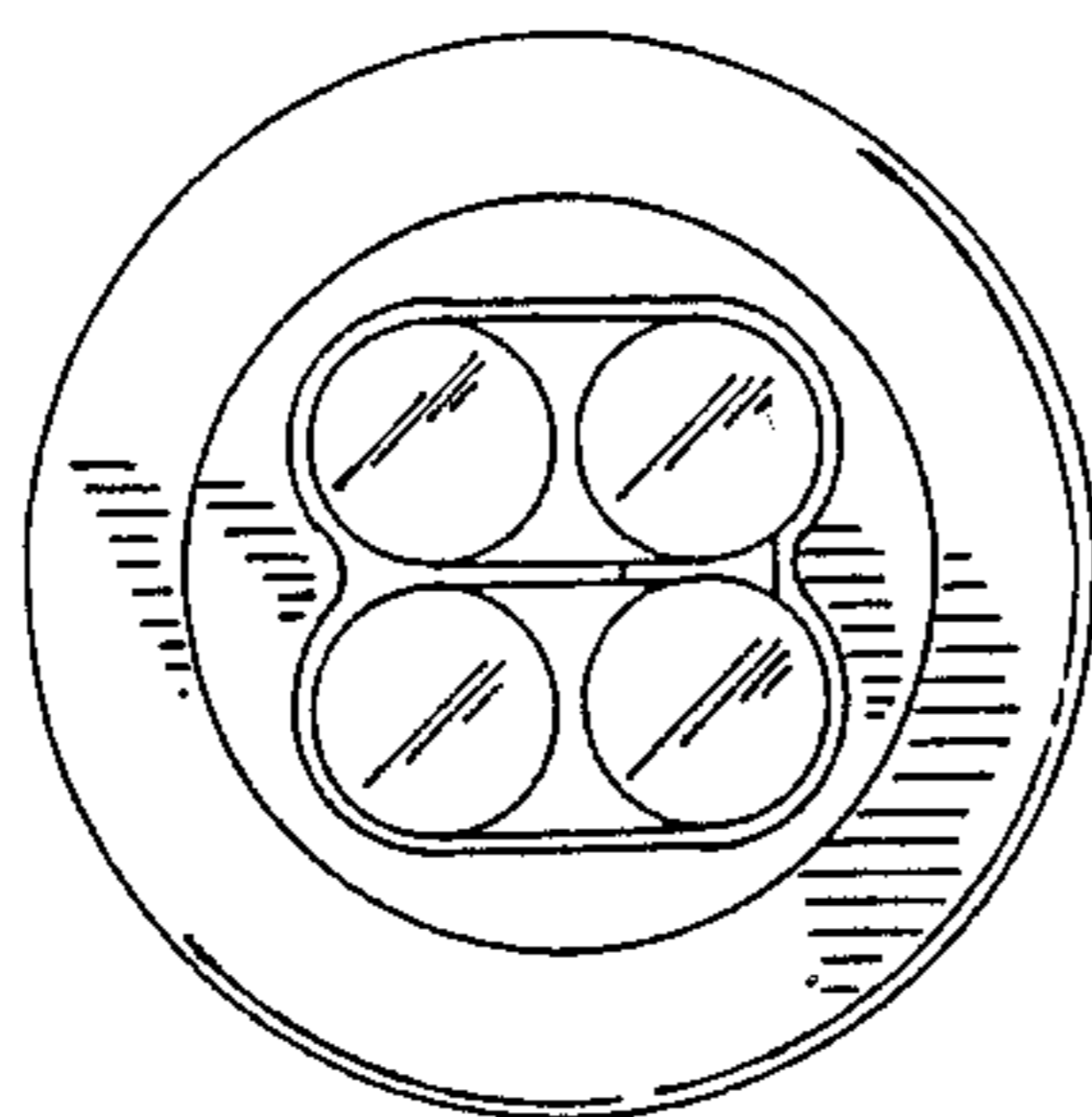


FIG. 21

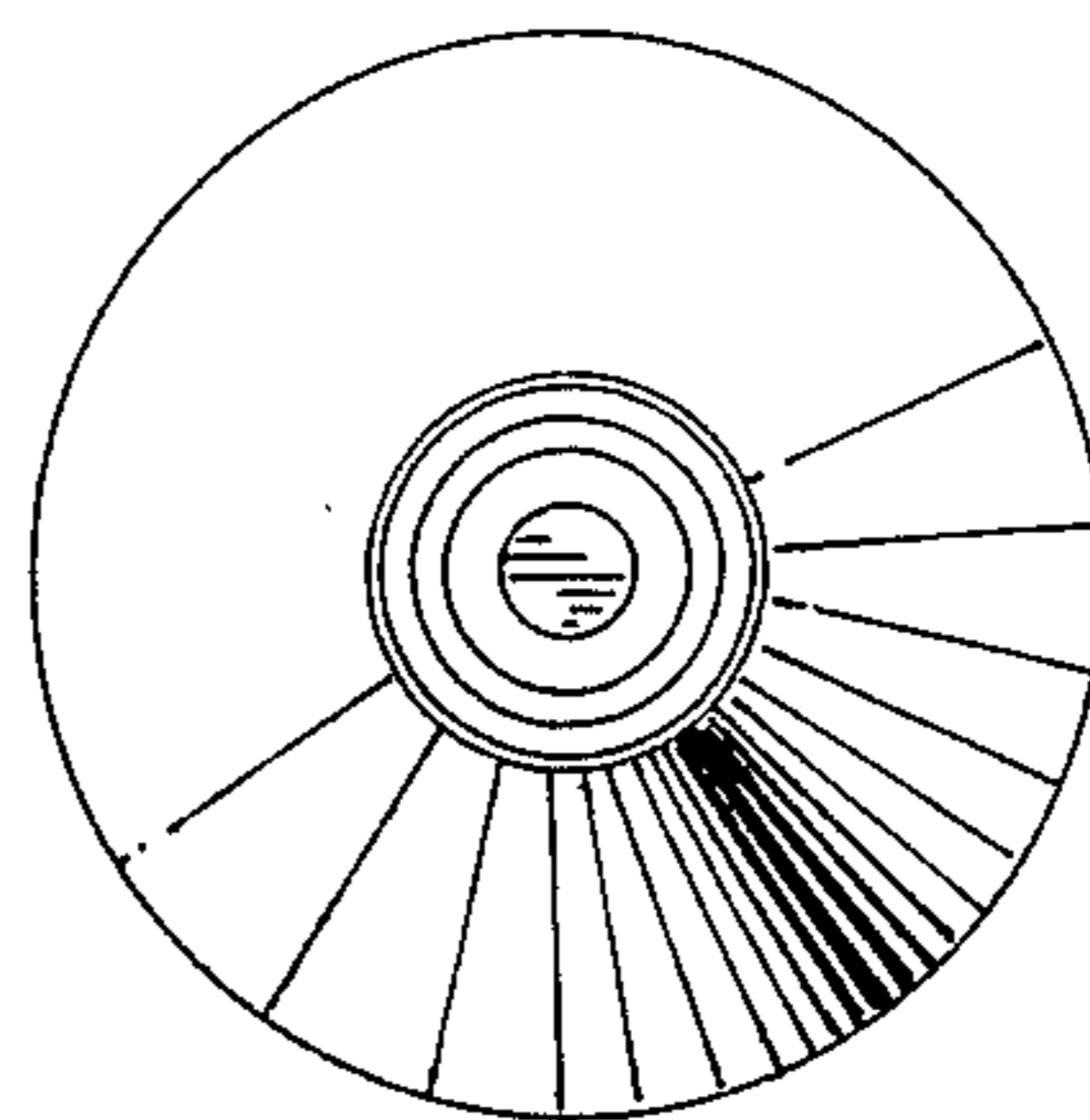


FIG. 22

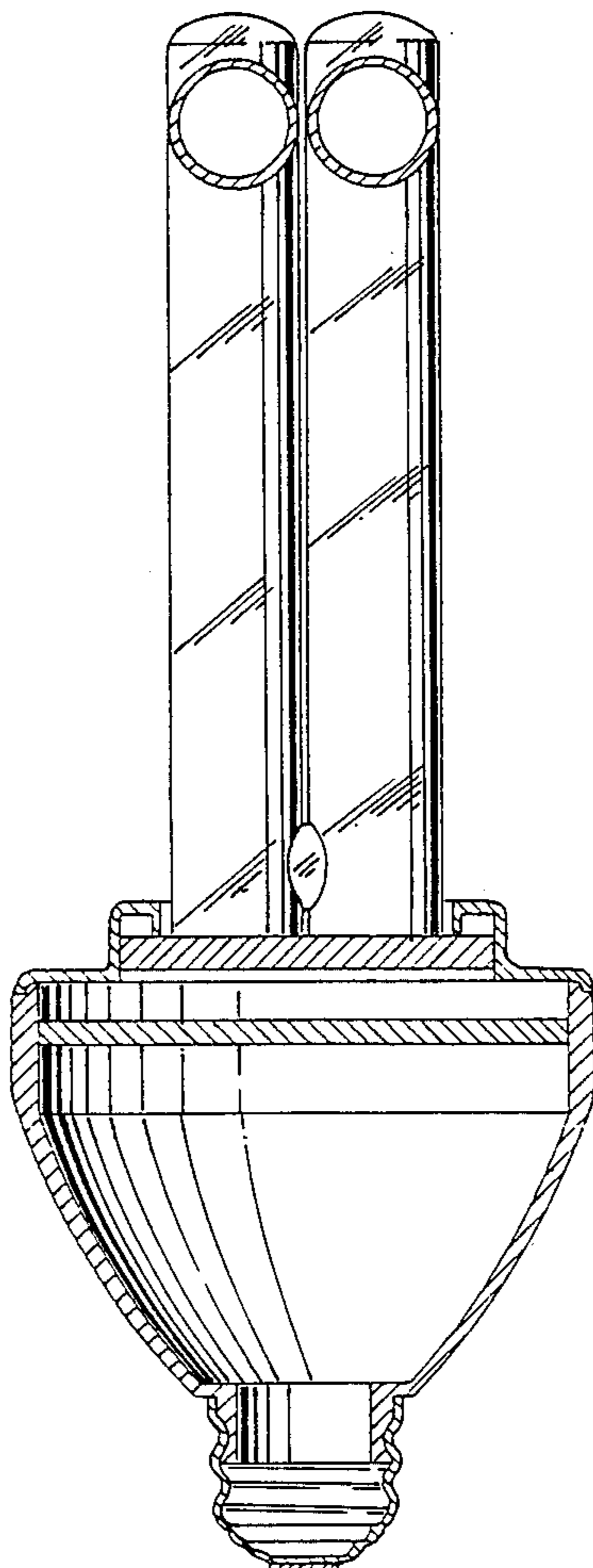


FIG. 23