

United States Patent [19]
Reed

[11] **Patent Number: Des. 304,374**

[45] **Date of Patent: ** Oct. 31, 1989**

[54] **BUILDING STRUCTURE**

4,514,938 5/1985 Maguire D25/1 X

[76] **Inventor: William Reed, P.O. Box 1267,
Marathon, Fla. 33050**

Primary Examiner—A. Hugo Word
Attorney, Agent, or Firm—John Cyril Malloy

[**] **Term: 14 Years**

[57] **CLAIM**

[21] **Appl. No.: 2,259**

The ornamental design for a building structure, as shown and described.

[22] **Filed: Jan. 12, 1987**

[52] **U.S. Cl. D25/33; D25/1;
D25/22**

[58] **Field of Search D25/1, 22, 23, 24, 25,
D25/32, 33, 36; 52/90, 236.6, 79.4, 79.5, 79.9**

DESCRIPTION

[56] **References Cited**

U.S. PATENT DOCUMENTS

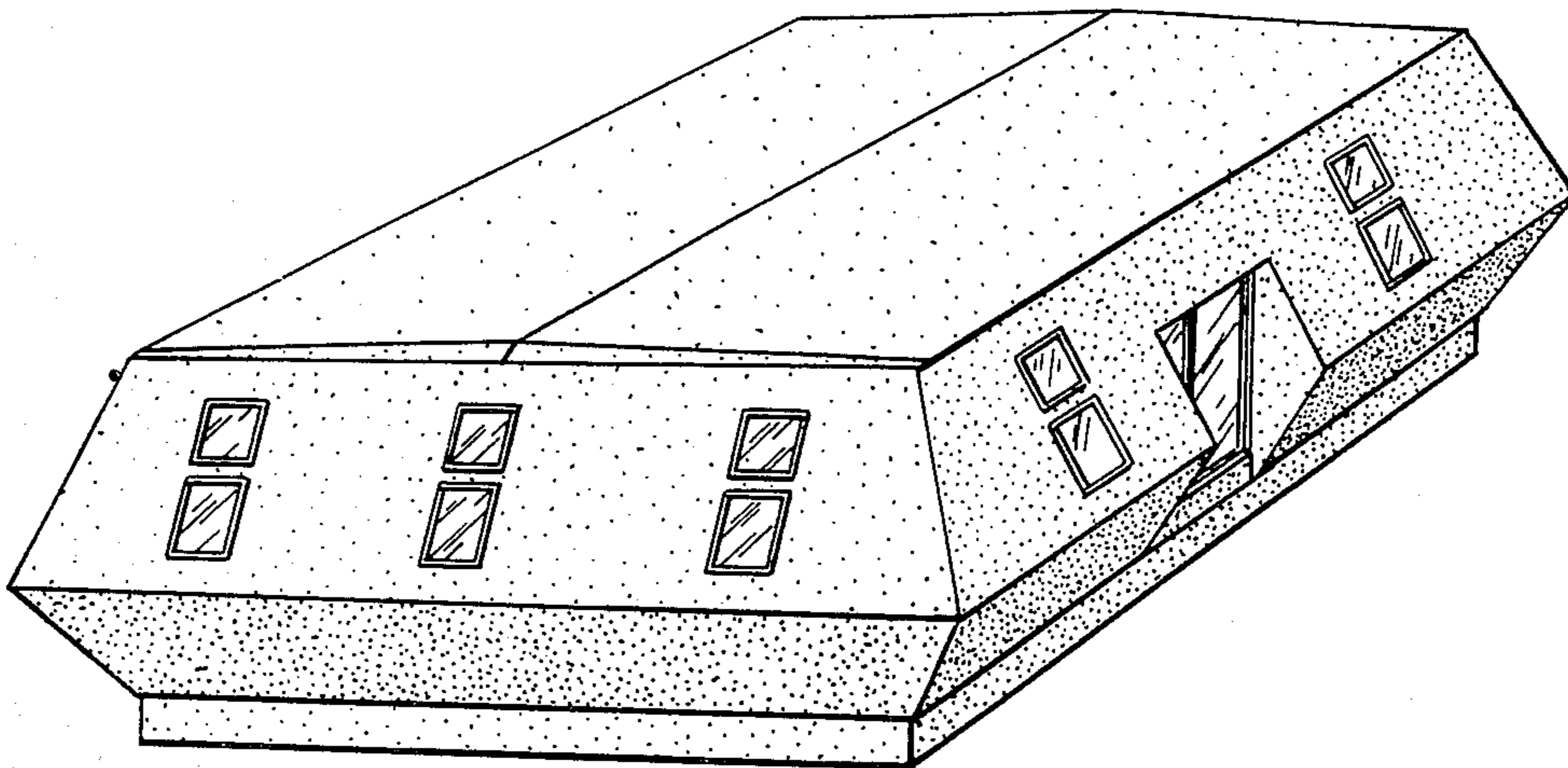
D. 220,034 3/1971 Bowers D25/33
D. 245,519 8/1977 Booth D25/36 X
4,115,962 9/1978 Caisley D25/23 X

FIG. 1 is a perspective view of my design for a building structure;

FIG. 2 is a front side elevational view of the design of FIG. 1;

FIG. 3 is one end elevational view of the design of FIGS. 1 and 2, the opposite end being a mirror image thereof;

FIG. 4 is a rear side elevational view of my design for a building structure as shown in FIGS. 1 through 3 above.



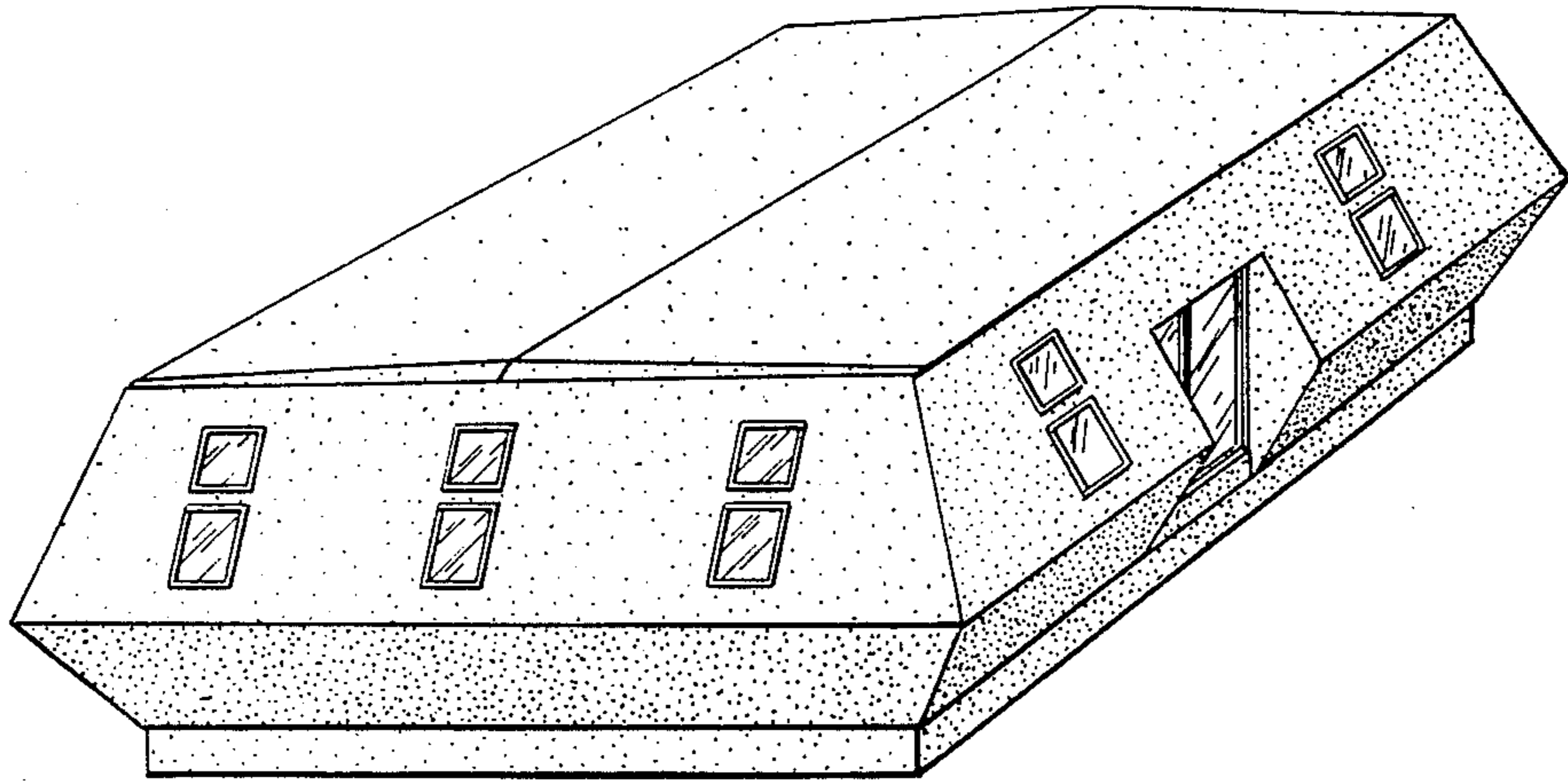


FIG. 1

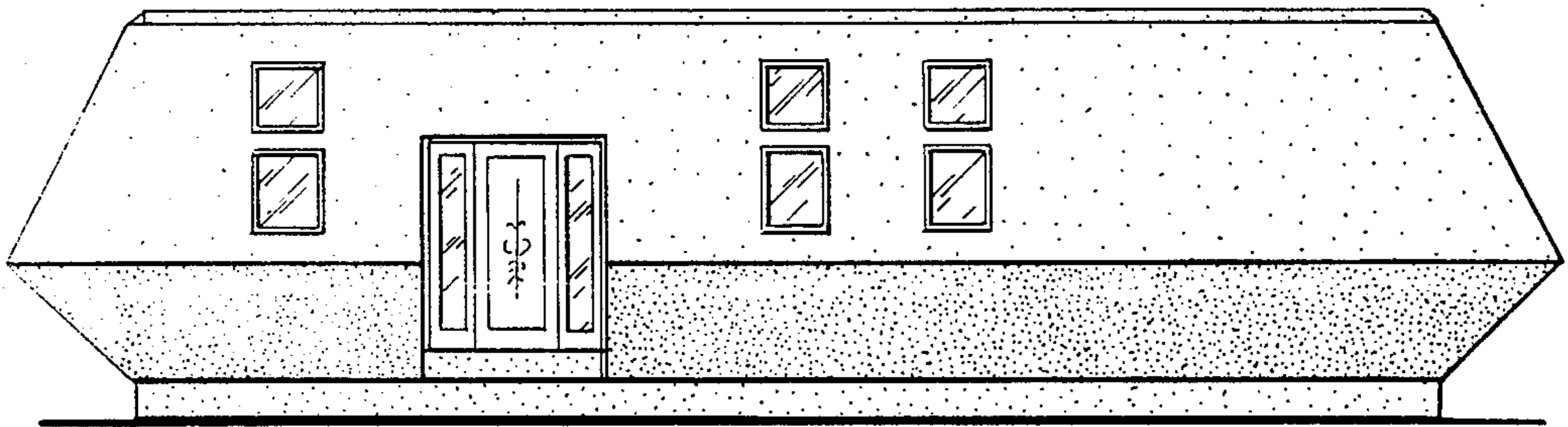


FIG. 2

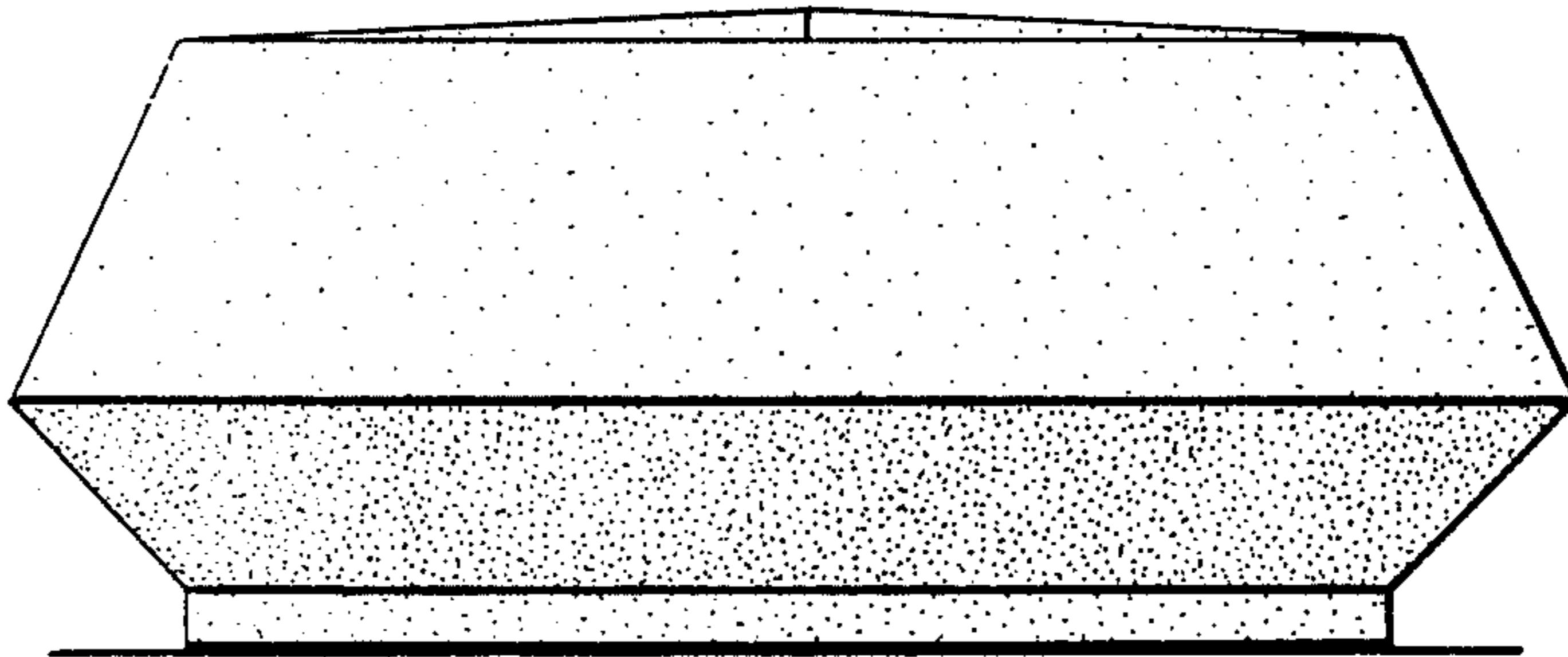


FIG. 3

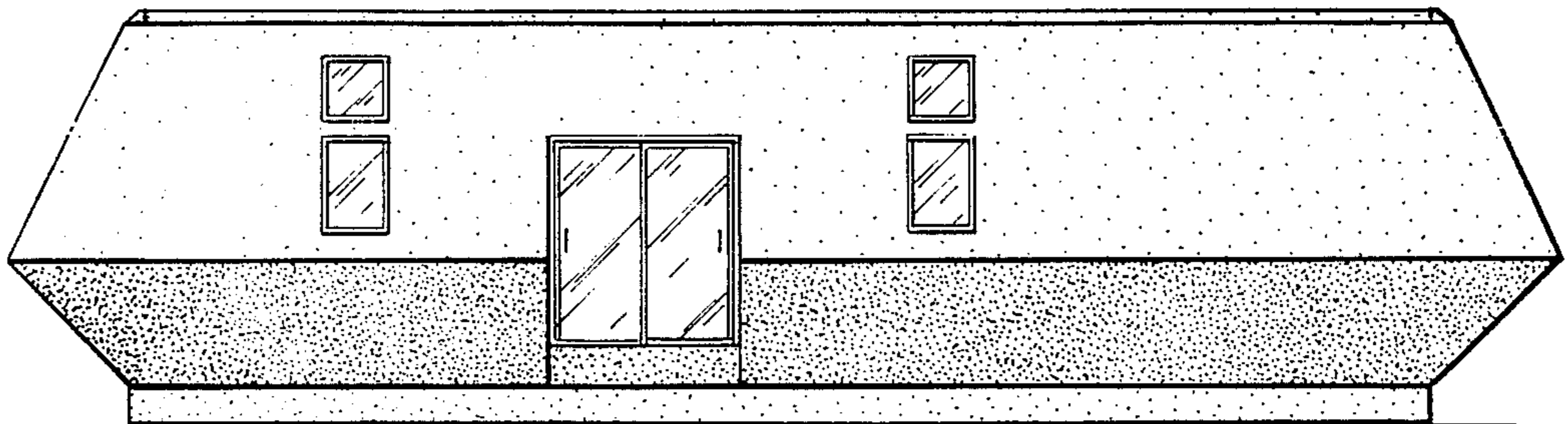


FIG. 4