

[54] REACTION TRAY FOR MEMBRANE HYBRIDIZATIONS

[75] Inventors: Sharon S. Challberg, Boyds; Randall Kiser, Frederick, both of Md.

[73] Assignee: Life Technologies, Inc., Gaithersburg, Md.

[**] Term: 14 Years

[21] Appl. No.: 49,074

[22] Filed: May 11, 1987

[52] U.S. Cl. D24/8; D24/31

[58] Field of Search D24/31, 8; 435/298, 435/284, 285, 310; 206/557; D4/345, 347, 341

[56] References Cited

U.S. PATENT DOCUMENTS

D. 283,051	3/1986	Fichera	D24/31
3,632,478	1/1972	Fink	435/298
3,726,767	4/1973	White	435/285
3,745,091	7/1973	McCormick	435/285
3,986,935	10/1976	Jackson, Jr. et al.	435/298
4,634,676	1/1987	Sapatino	435/298 X

Primary Examiner—Wallace R. Burke

Assistant Examiner—Stella Reid

Attorney, Agent, or Firm—Saidman, Sterne, Kessler & Goldstein

[57] CLAIM

The ornamental design for a reaction tray for membrane hybridization, as shown.

DESCRIPTION

FIG. 1 is a perspective view of a reaction tray for membrane hybridization, showing our new design, with lid and overlay within it;

FIG. 2 is a perspective view thereof, with lid removed and overlay within it;

FIG. 3 is a perspective view thereof with lid and overlay removed;

FIG. 4 is a top plan view of FIG. 1;

FIG. 5 is a top plan view of FIG. 2;

FIG. 6 is a top plan view of FIG. 3;

FIG. 7 is an end elevational view thereof with the lid;

FIG. 8 is an end elevational view thereof with the lid removed;

FIG. 9 is a side elevational view thereof with the lid;

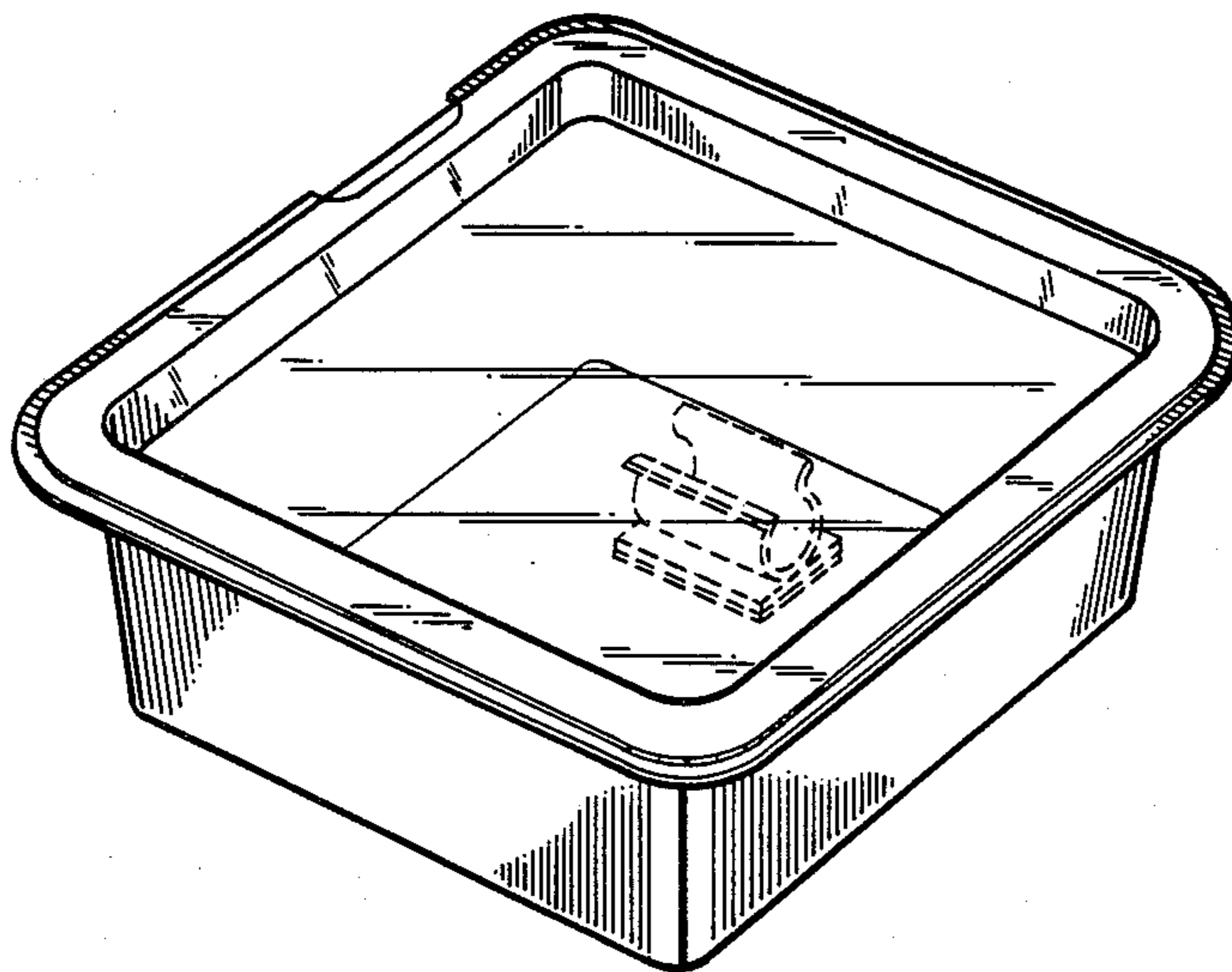
FIG. 10 is a side elevational view thereof, with the lid removed;

FIG. 11 is a bottom plan view thereof;

FIG. 12 is a side elevational view of the overlay; and

FIG. 13 is an end elevational view of the overlay.

The broken line showing of the handle on the overlay is for illustrative purposes only and forms no part of the claimed design.



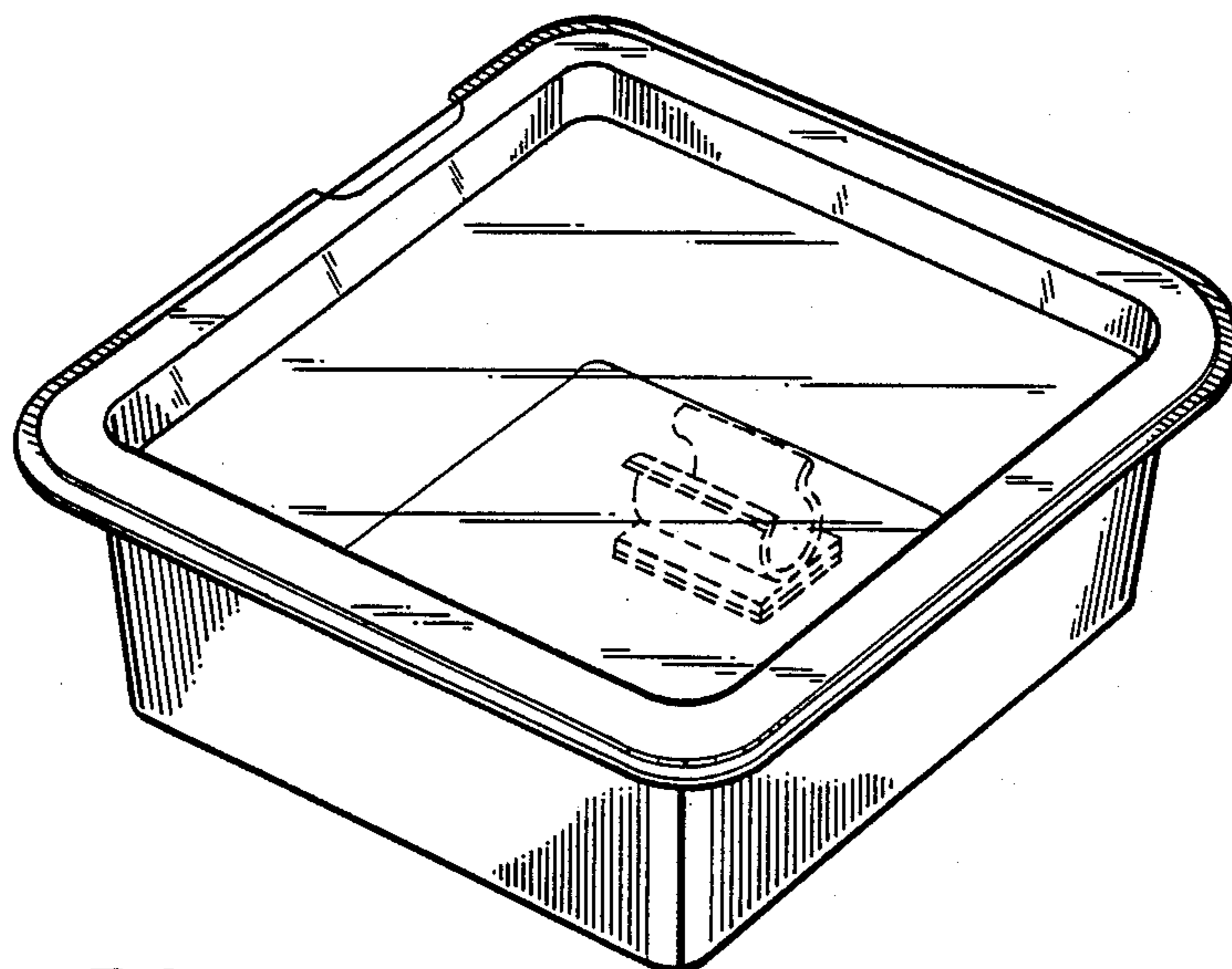


FIG. 1

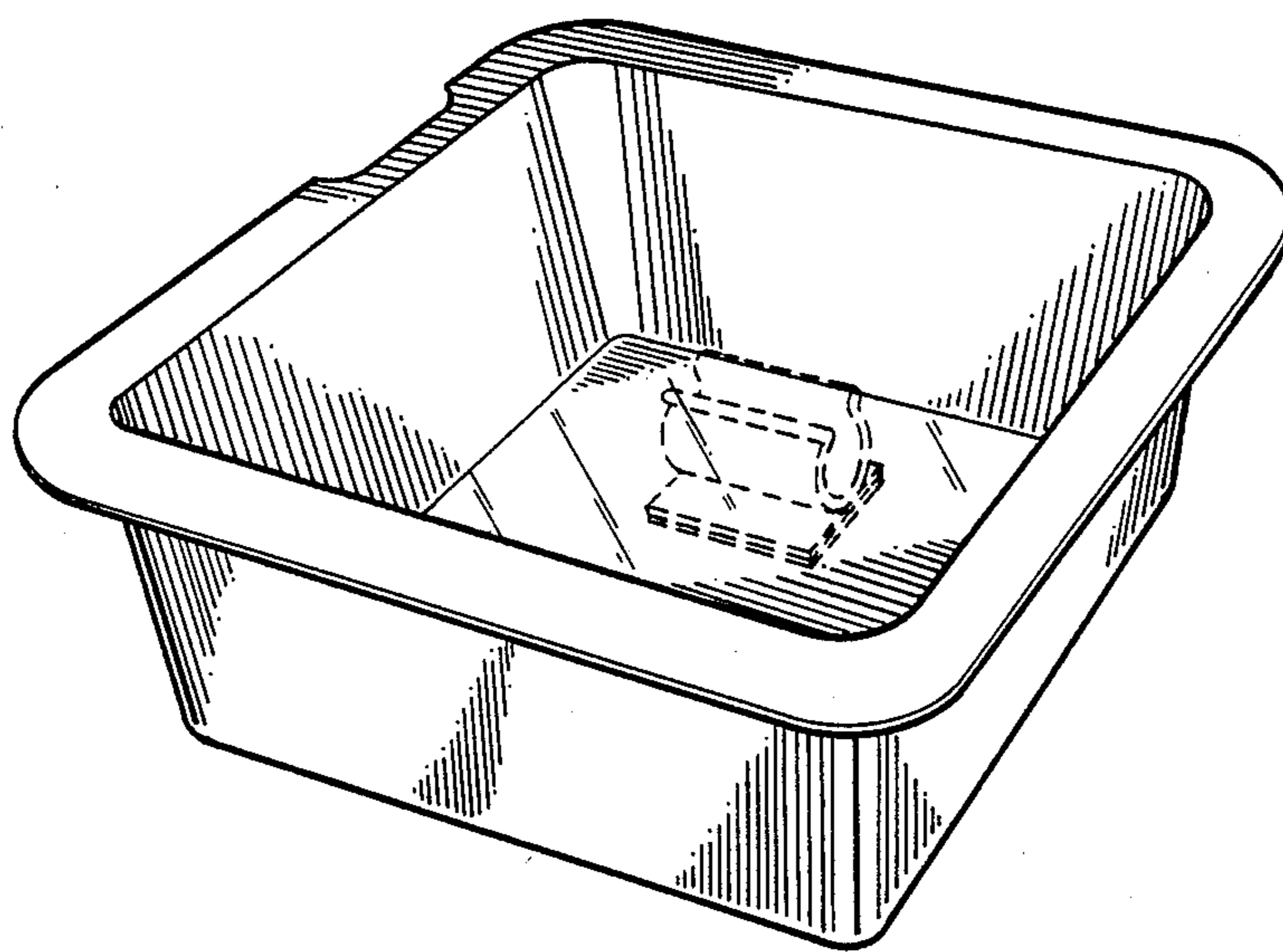


FIG. 2

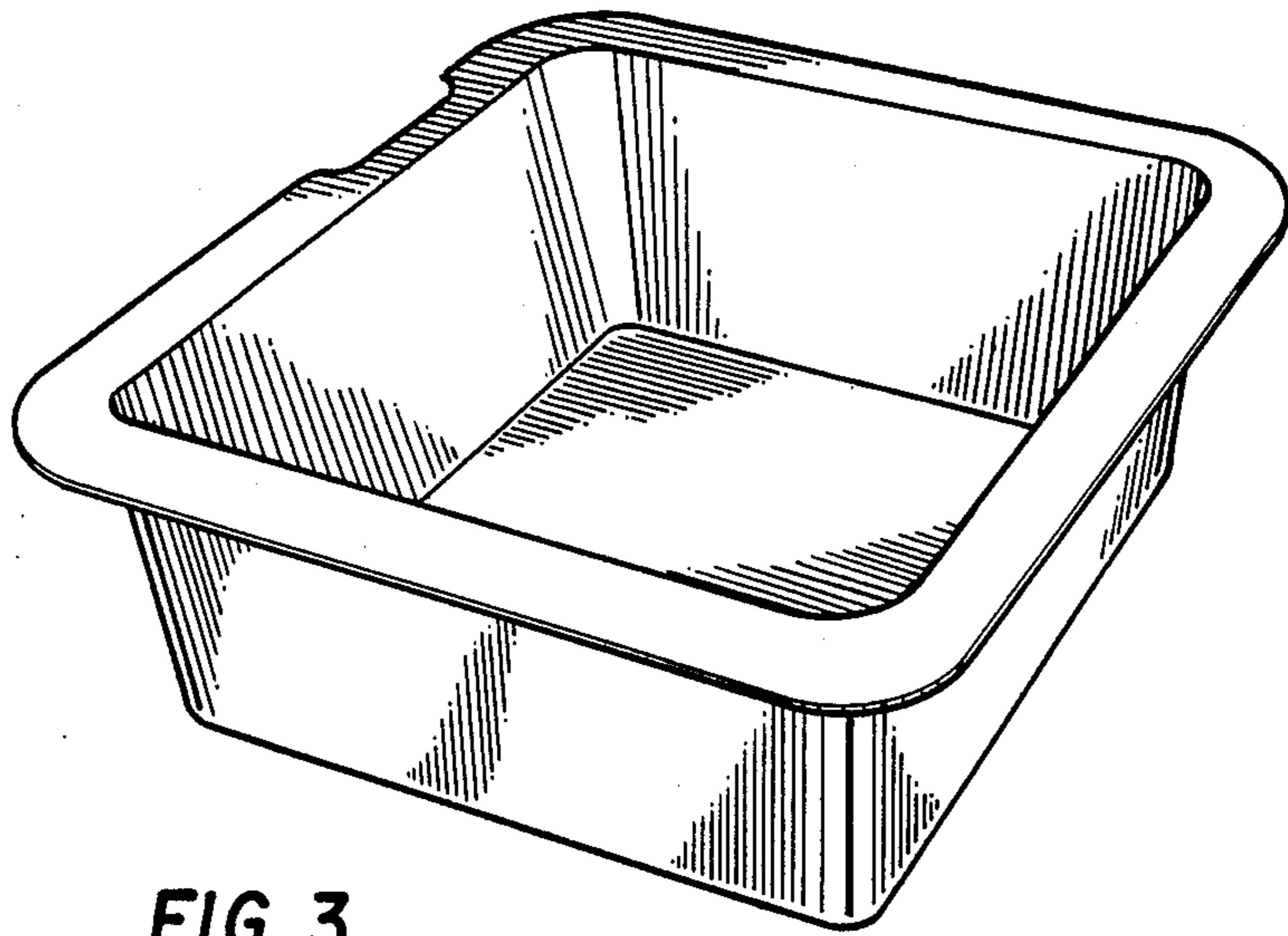


FIG. 3

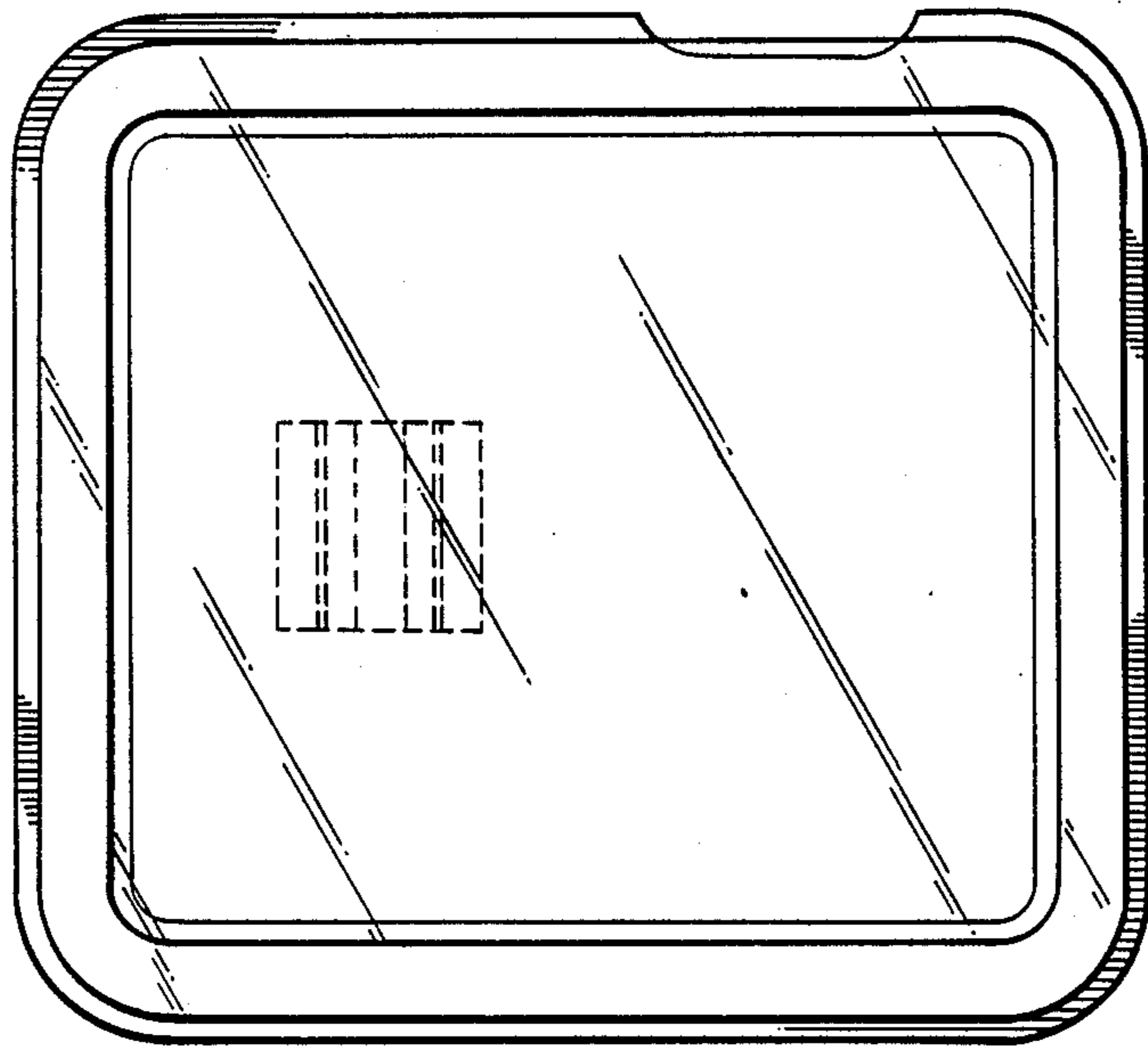


FIG. 4

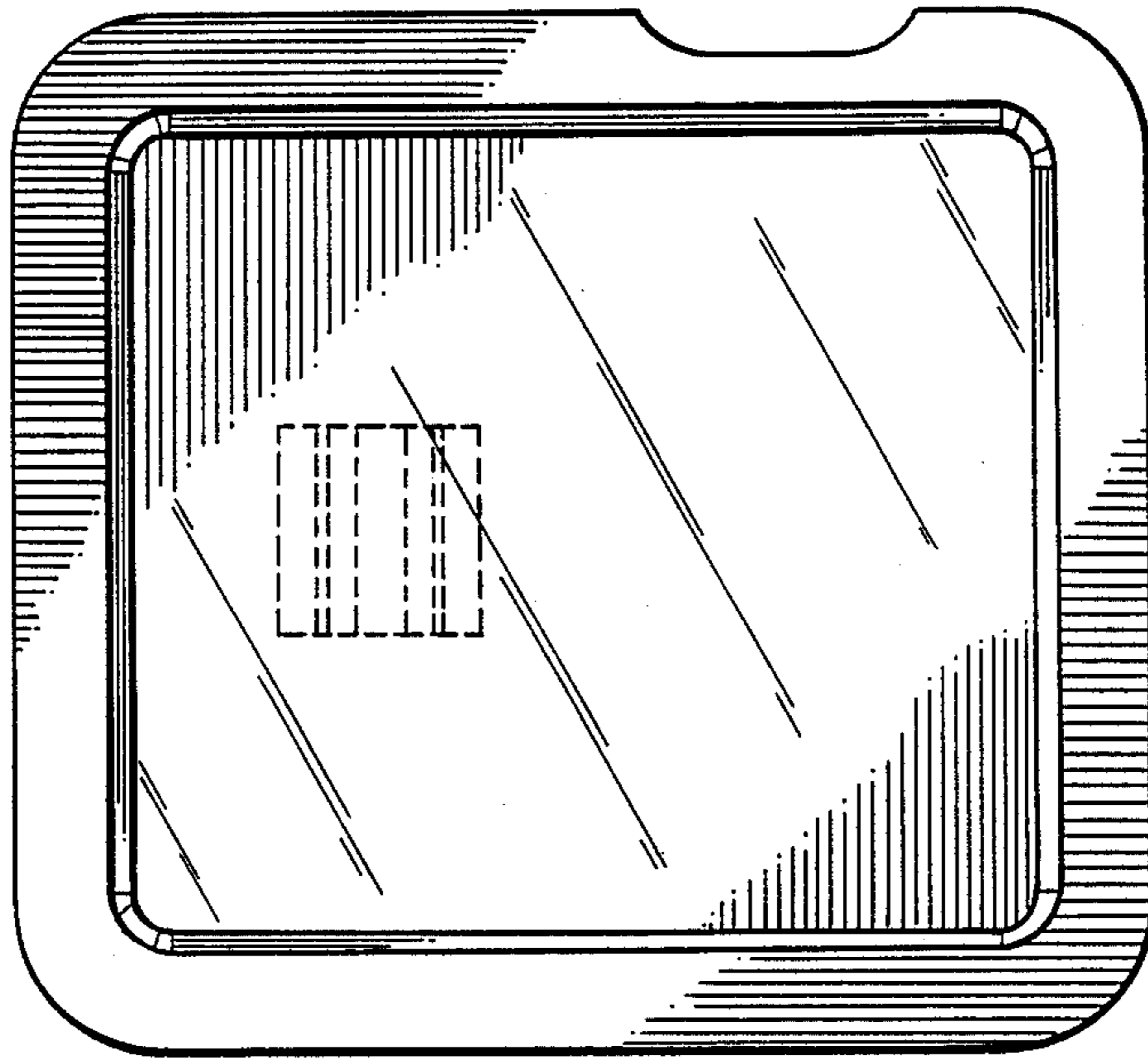


FIG. 5

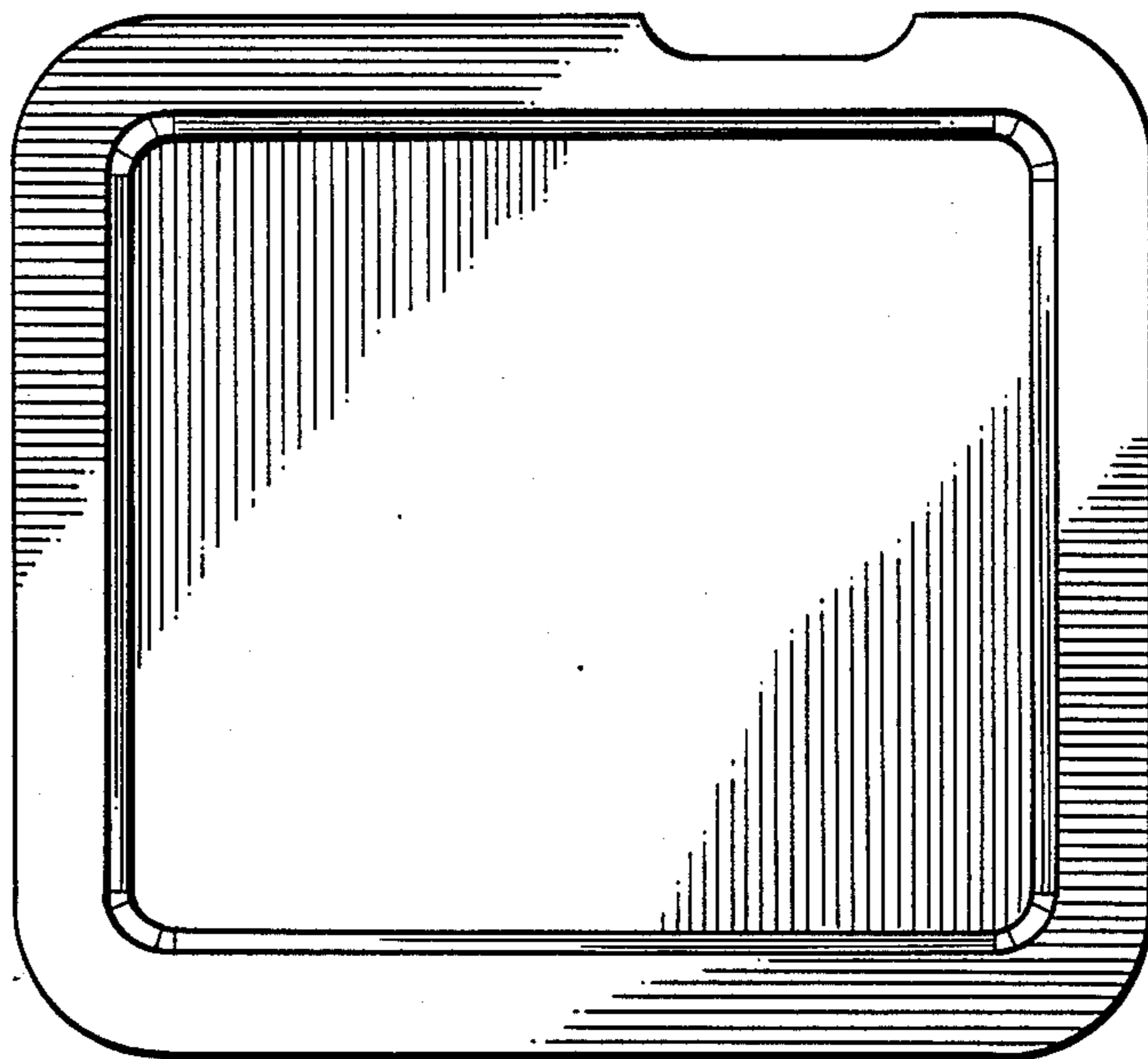


FIG. 6

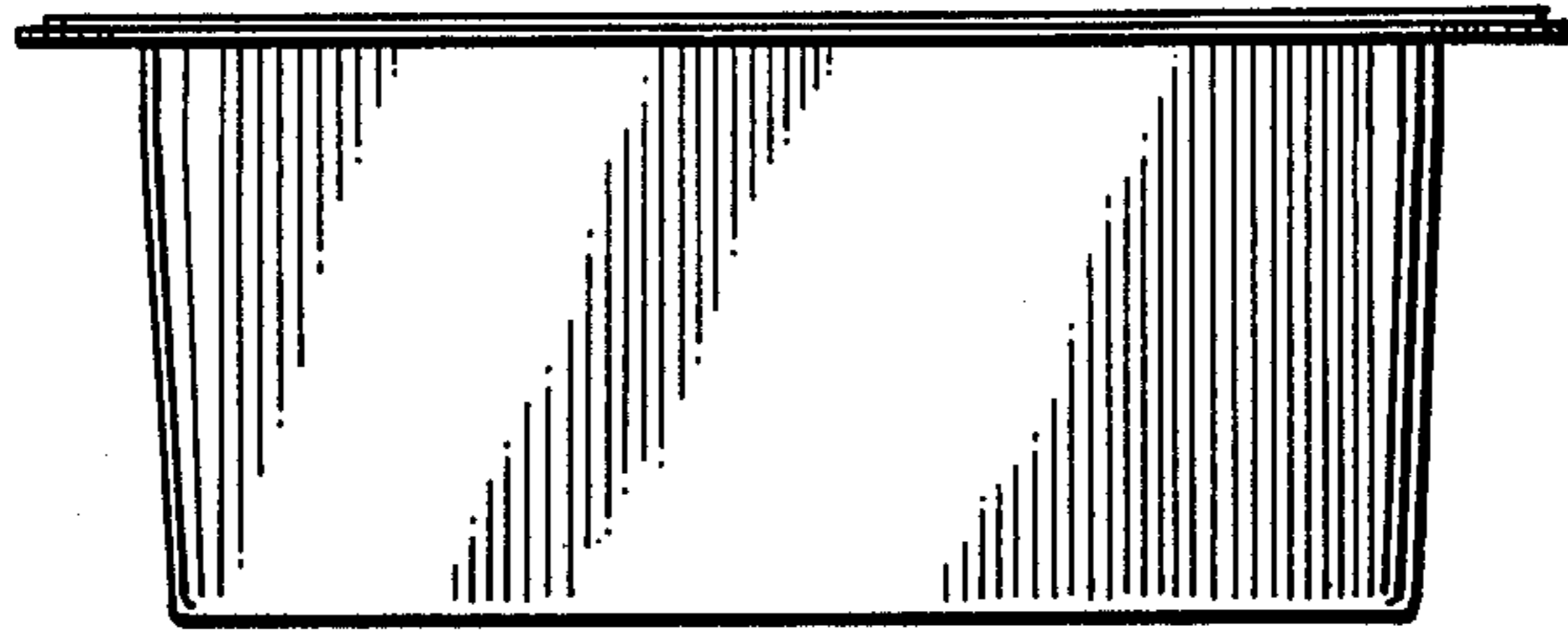


FIG. 7

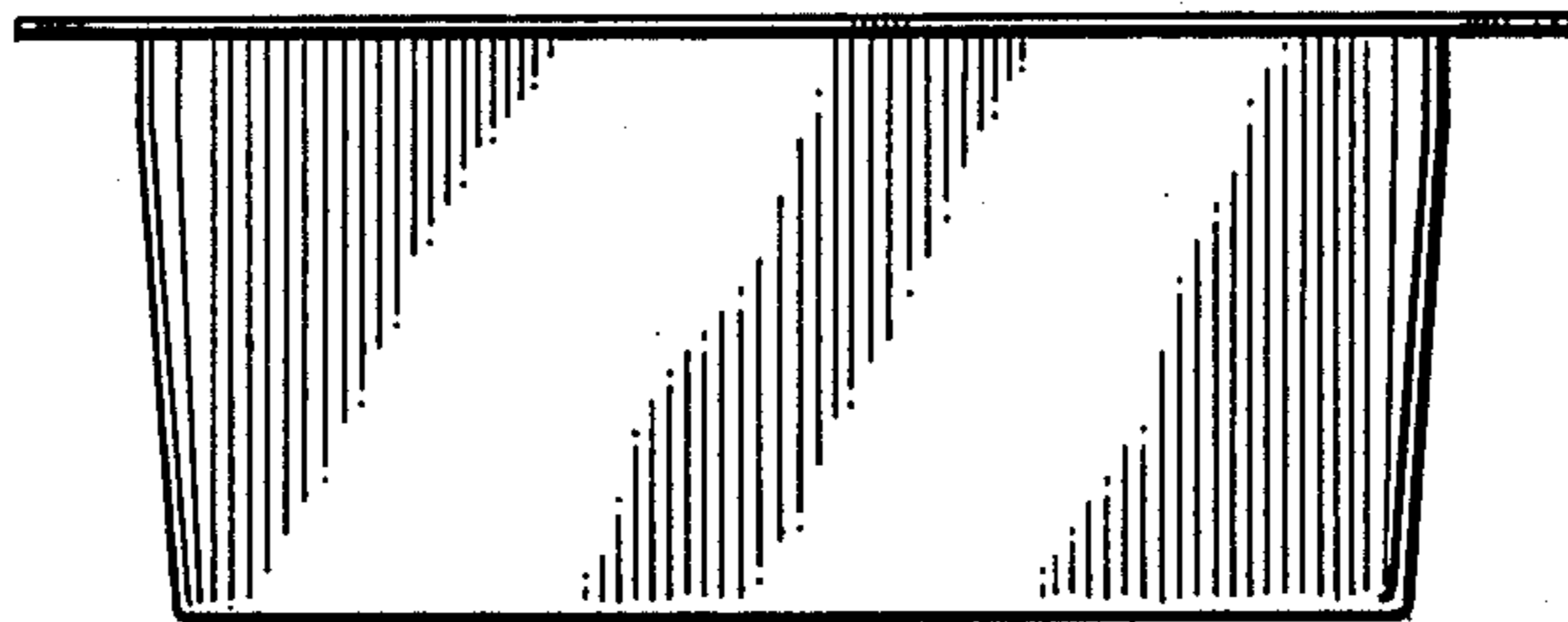


FIG. 8

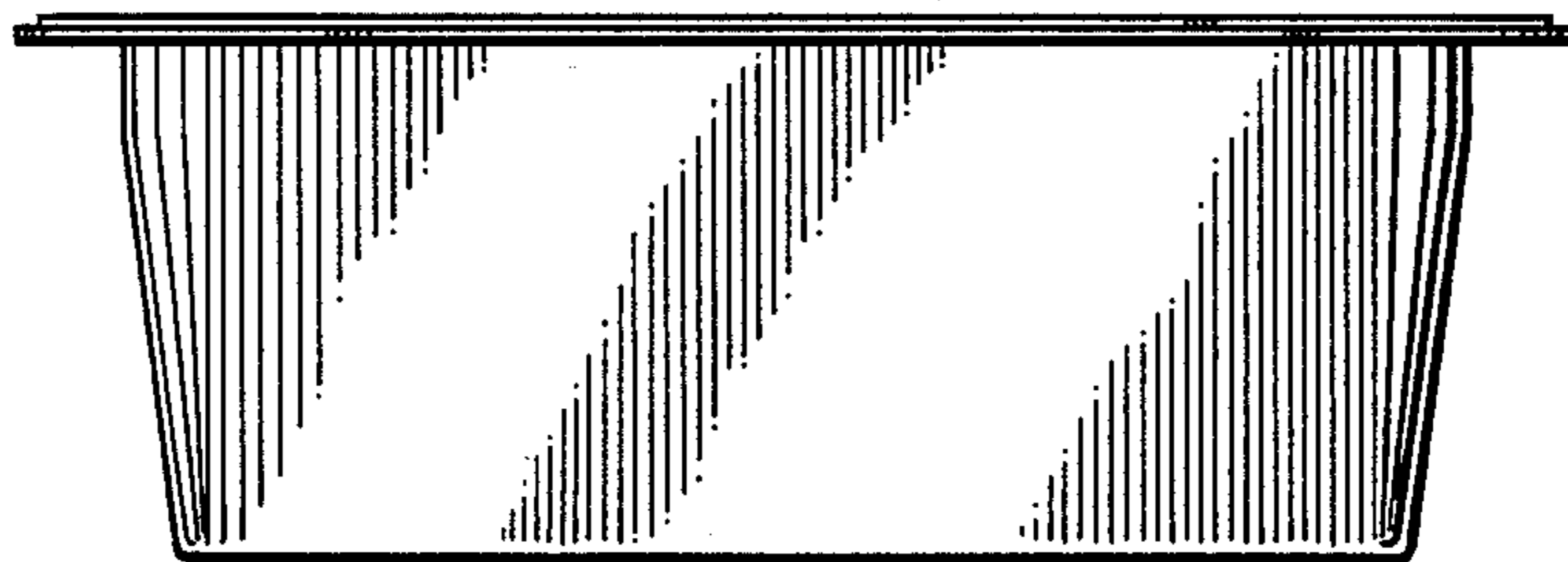


FIG. 9

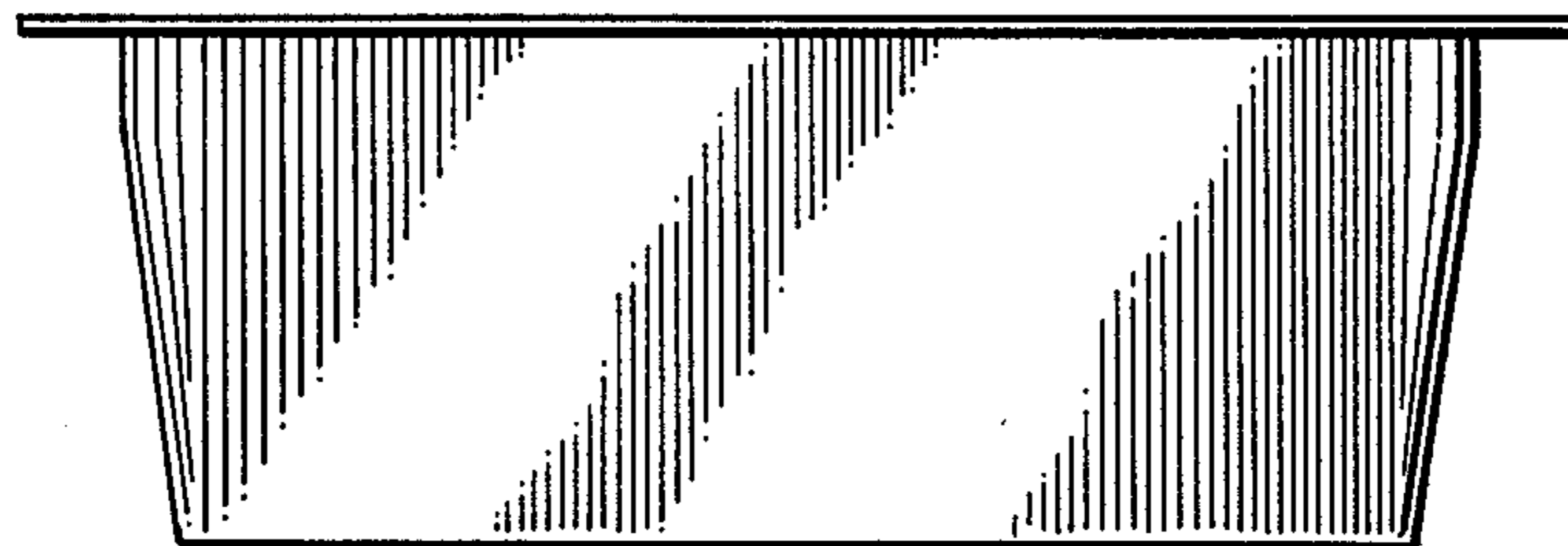


FIG. 10

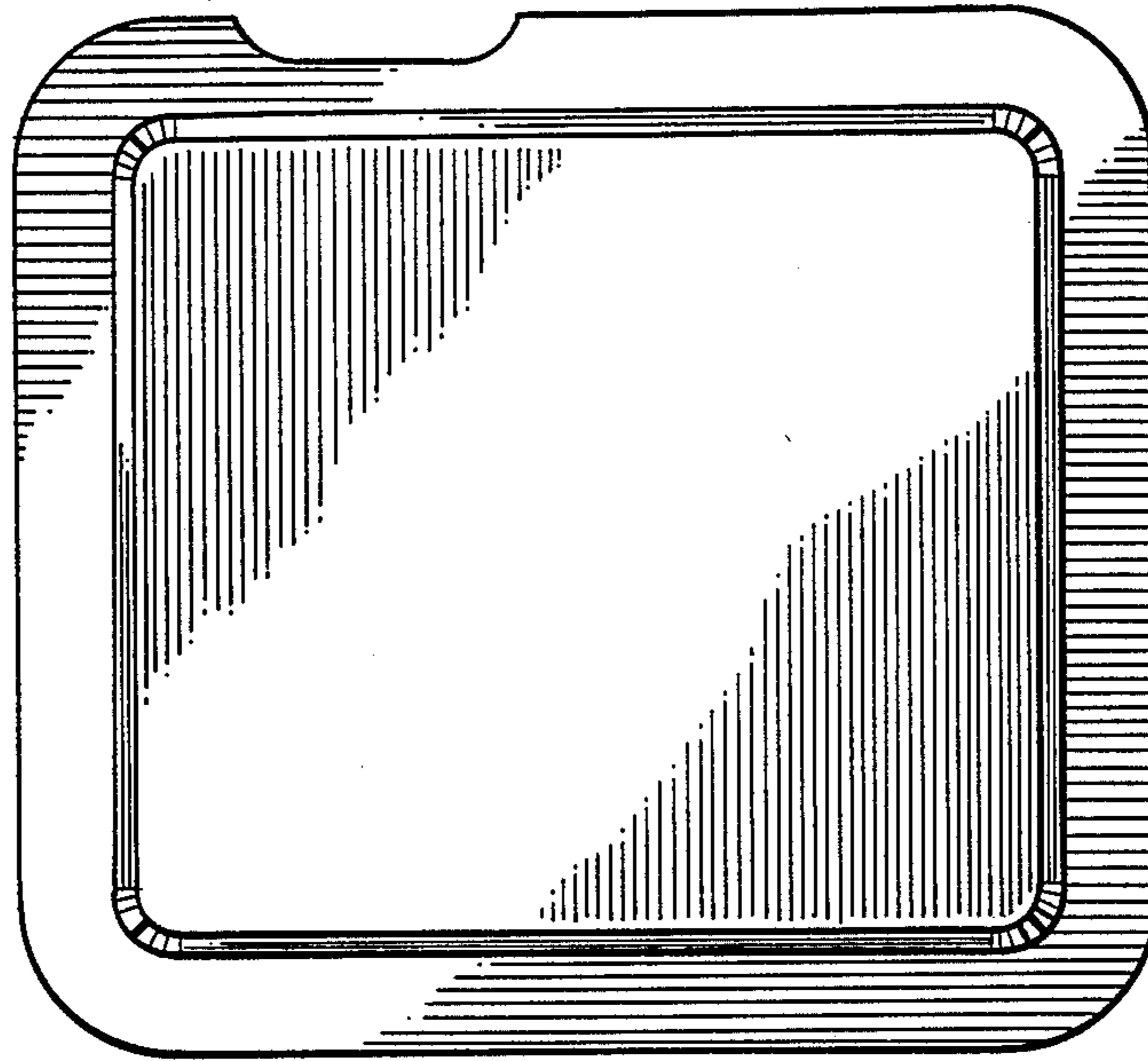


FIG. 11



FIG. 12

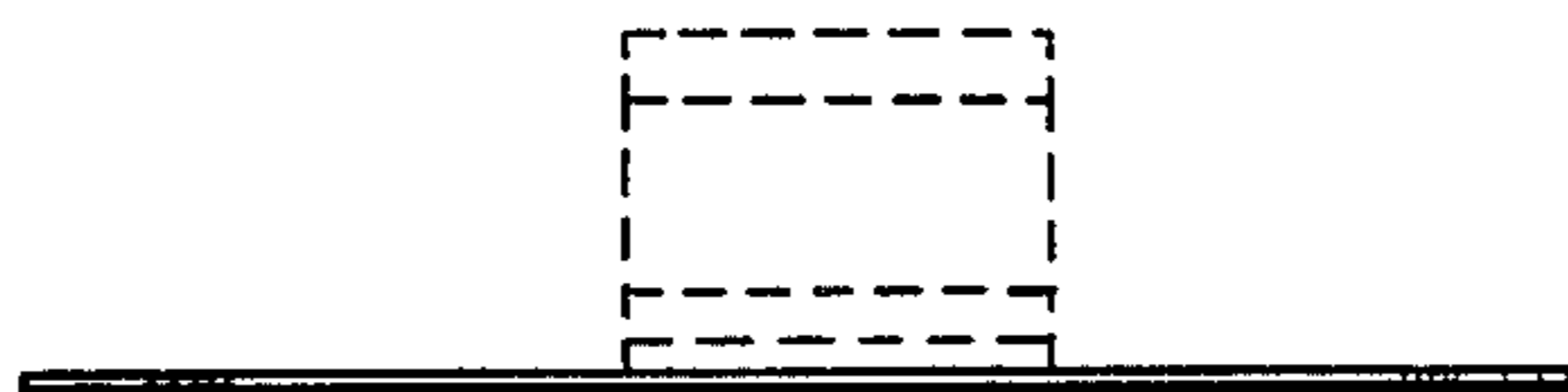


FIG. 13