

# United States Patent [19]

Suzuki

[11] Patent Number: Des. 304,368

[45] Date of Patent: \*\* Oct. 31, 1989

[54] ELECTRIC FAN

[75] Inventor: Akio Suzuki, Osaka, Japan

[73] Assignee: Sharp Kabushiki Kaisha, Osaka, Japan

[\*\*] Term: 14 Years

[21] Appl. No.: 48,652

[22] Filed: Apr. 11, 1987

[30] Foreign Application Priority Data

Nov. 11, 1986 [JP] Japan ..... 61-44539

[52] U.S. Cl. .... D23/382

[58] Field of Search ..... D23/370, 381, 382;  
416/246, 247

[56] References Cited

U.S. PATENT DOCUMENTS

2,100,923 11/1937 Schmidt et al. .... D23/370

OTHER PUBLICATIONS

Museum of Modern Art Xmas Cat., p. 38, Thin Air Desk Fan, top left side of page.

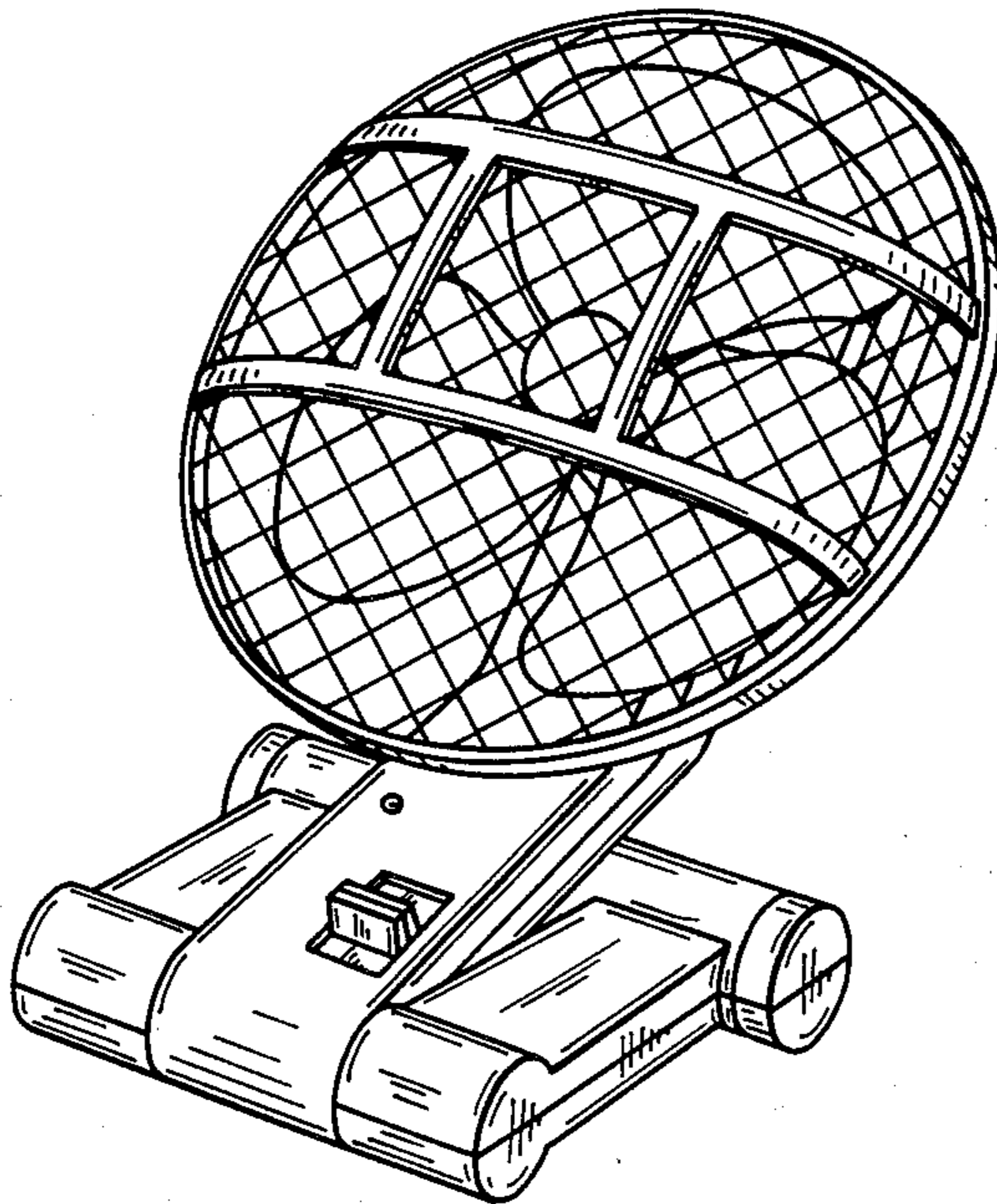
Primary Examiner—James M. Gandy  
Assistant Examiner—Lisa Lichtenstein  
Attorney, Agent, or Firm—Flehr, Hohbach, Test, Albritton & Herbert

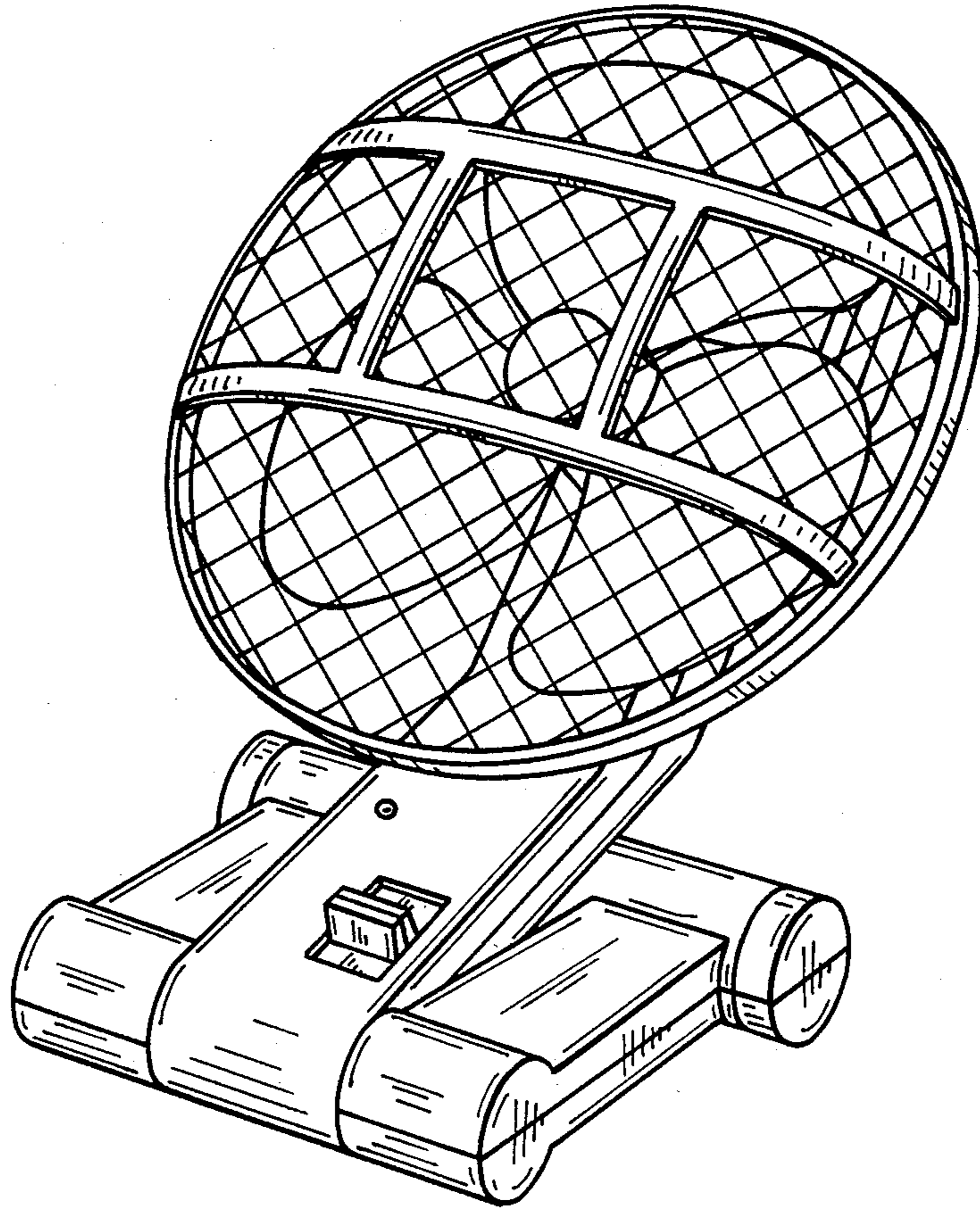
[57] CLAIM

The ornamental design for an electric fan, as shown.

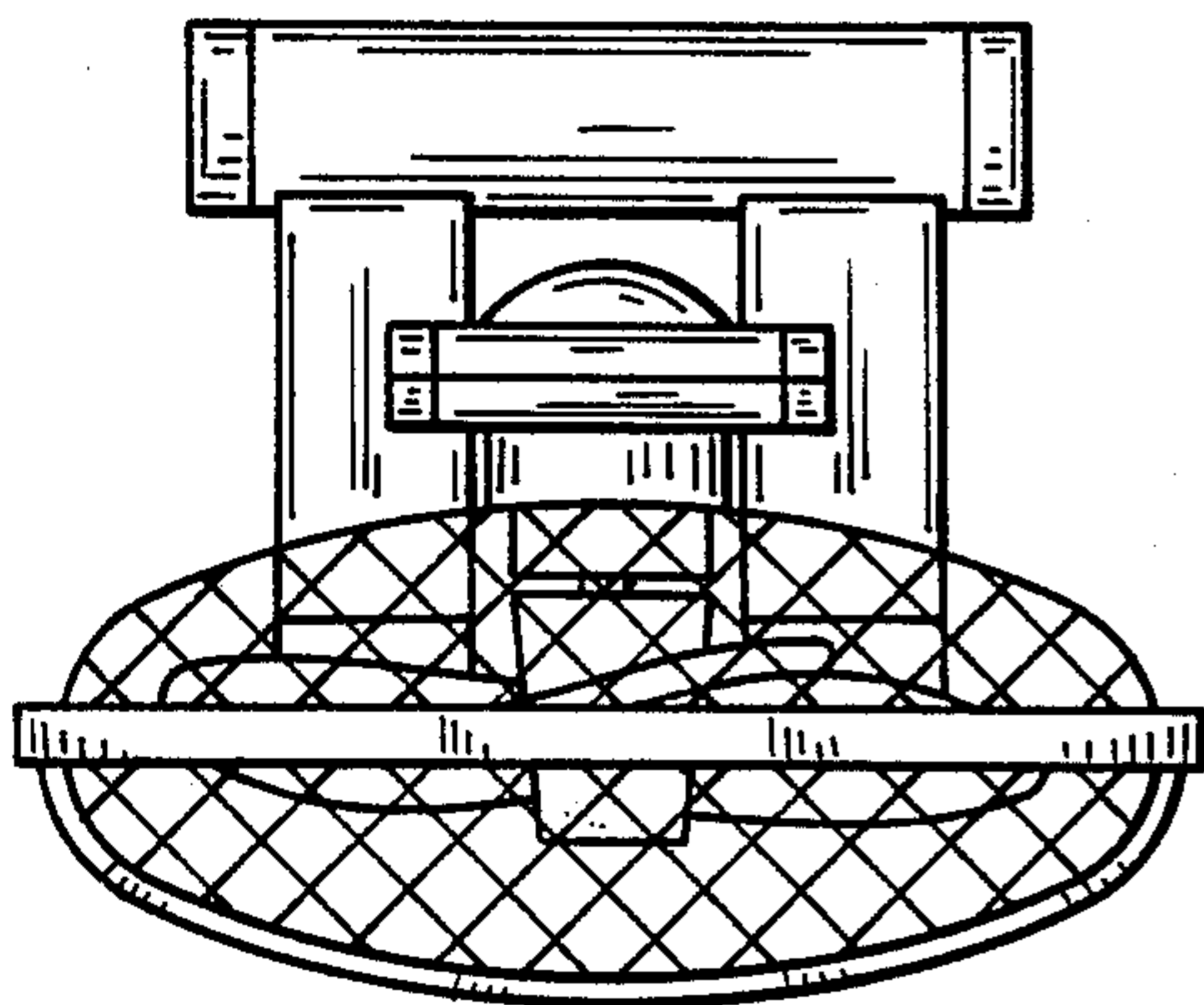
DESCRIPTION

FIG. 1 is a perspective view in folded position of the electric fan showing my new design;  
FIG. 2 is a front elevational view thereof, on a reduced scale in unfolded position;  
FIG. 3 is a rear elevational view thereof, on a reduced scale in unfolded position;  
FIG. 4 is a top plan view thereof, on a reduced scale in unfolded position;  
FIG. 5 is a bottom plan view thereof, on a reduced scale in unfolded position;  
FIG. 6 is a right side elevational view thereof, on a reduced scale in unfolded position; and  
FIG. 7 is a left side elevational view thereof, on a reduced scale in unfolded position.

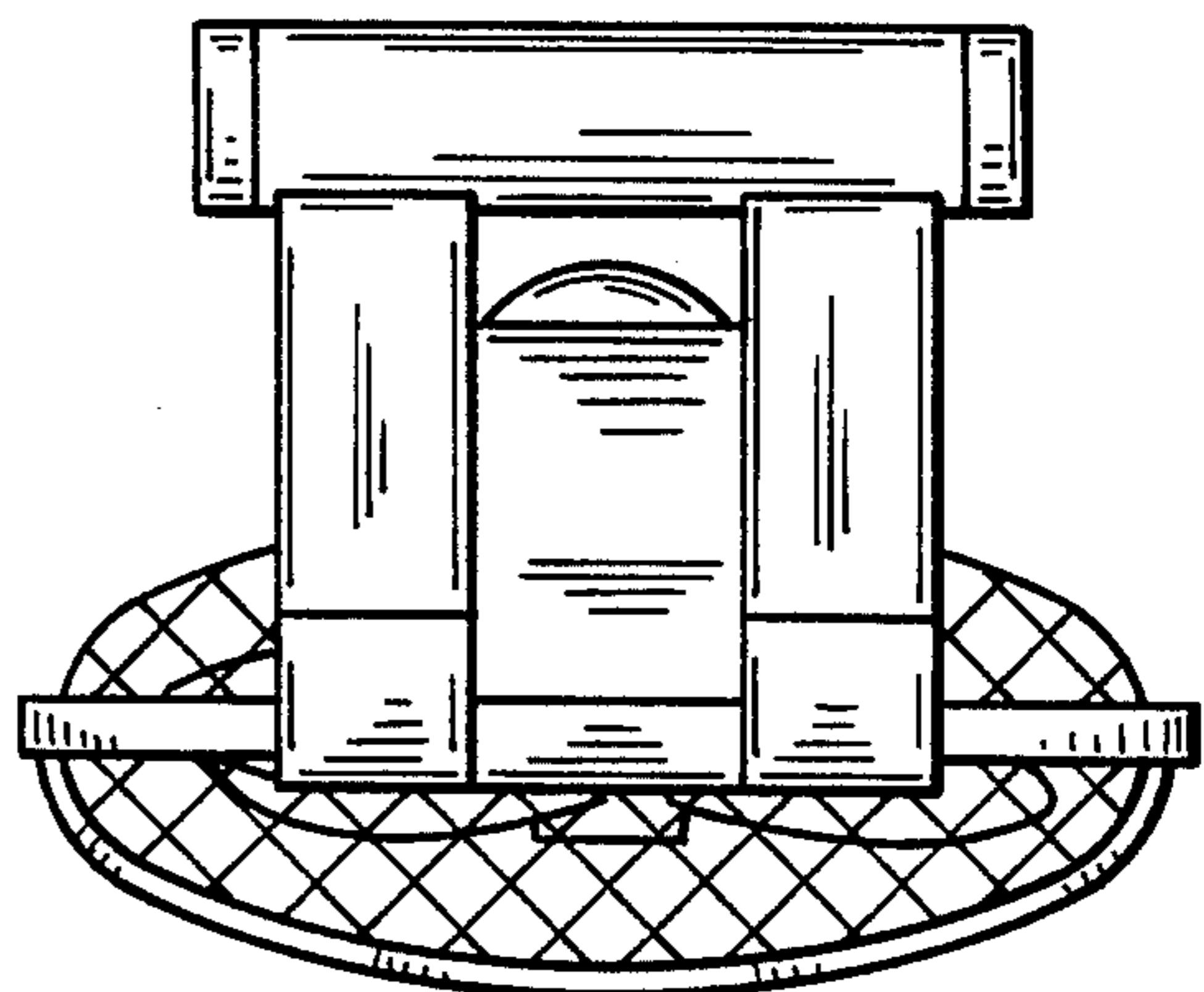




**FIG\_1**

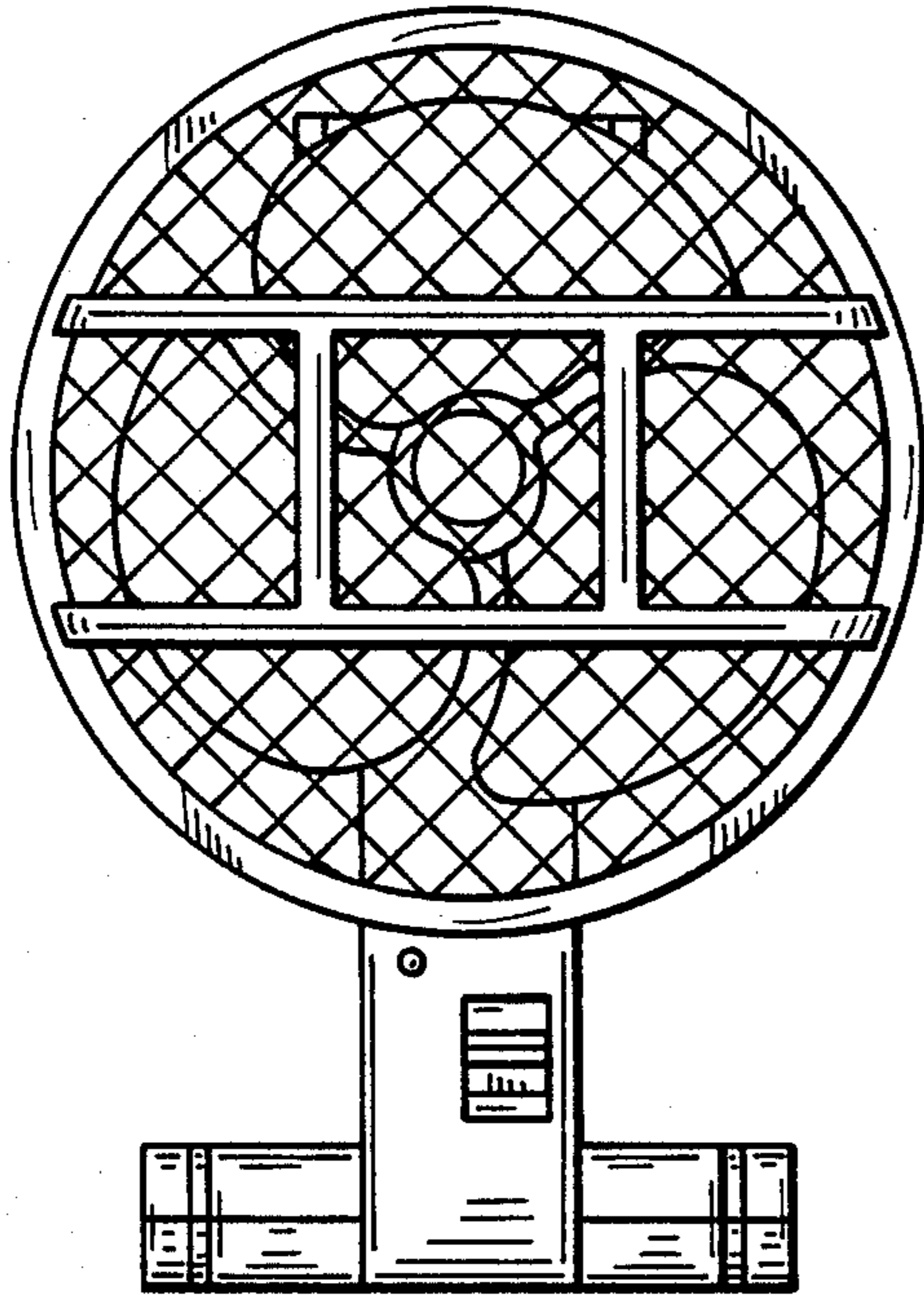


**FIG\_4**

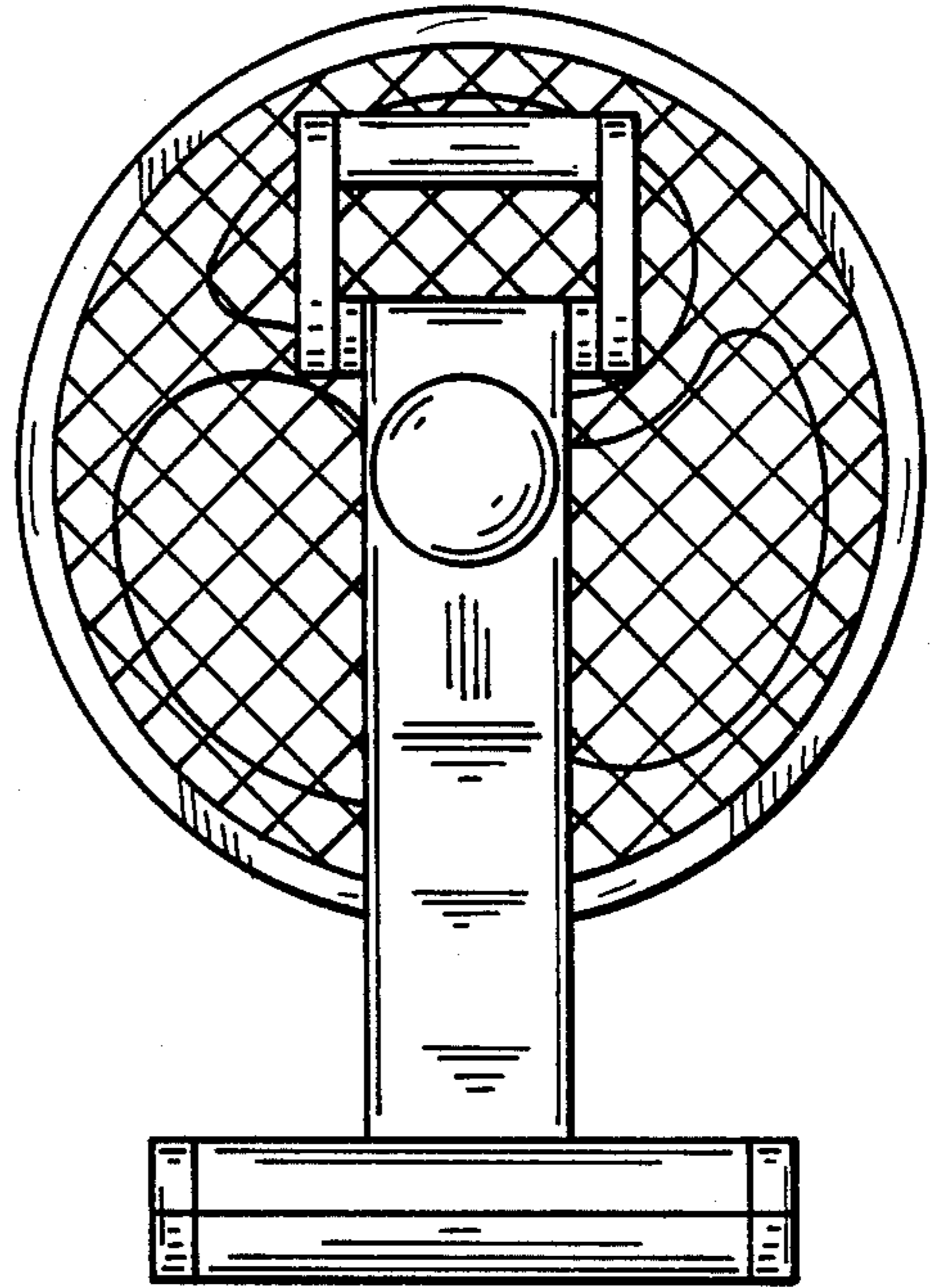


**FIG\_5**

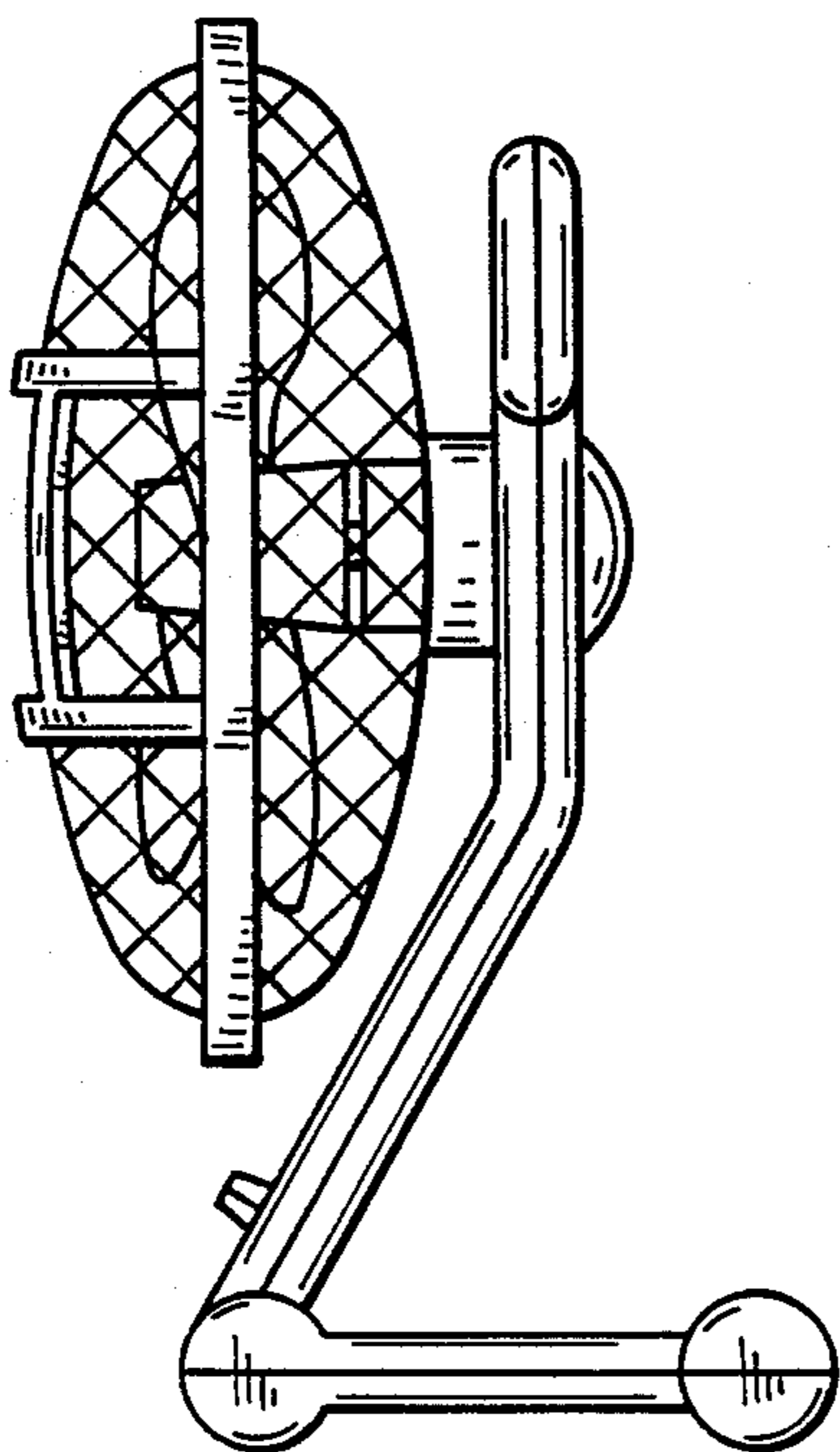




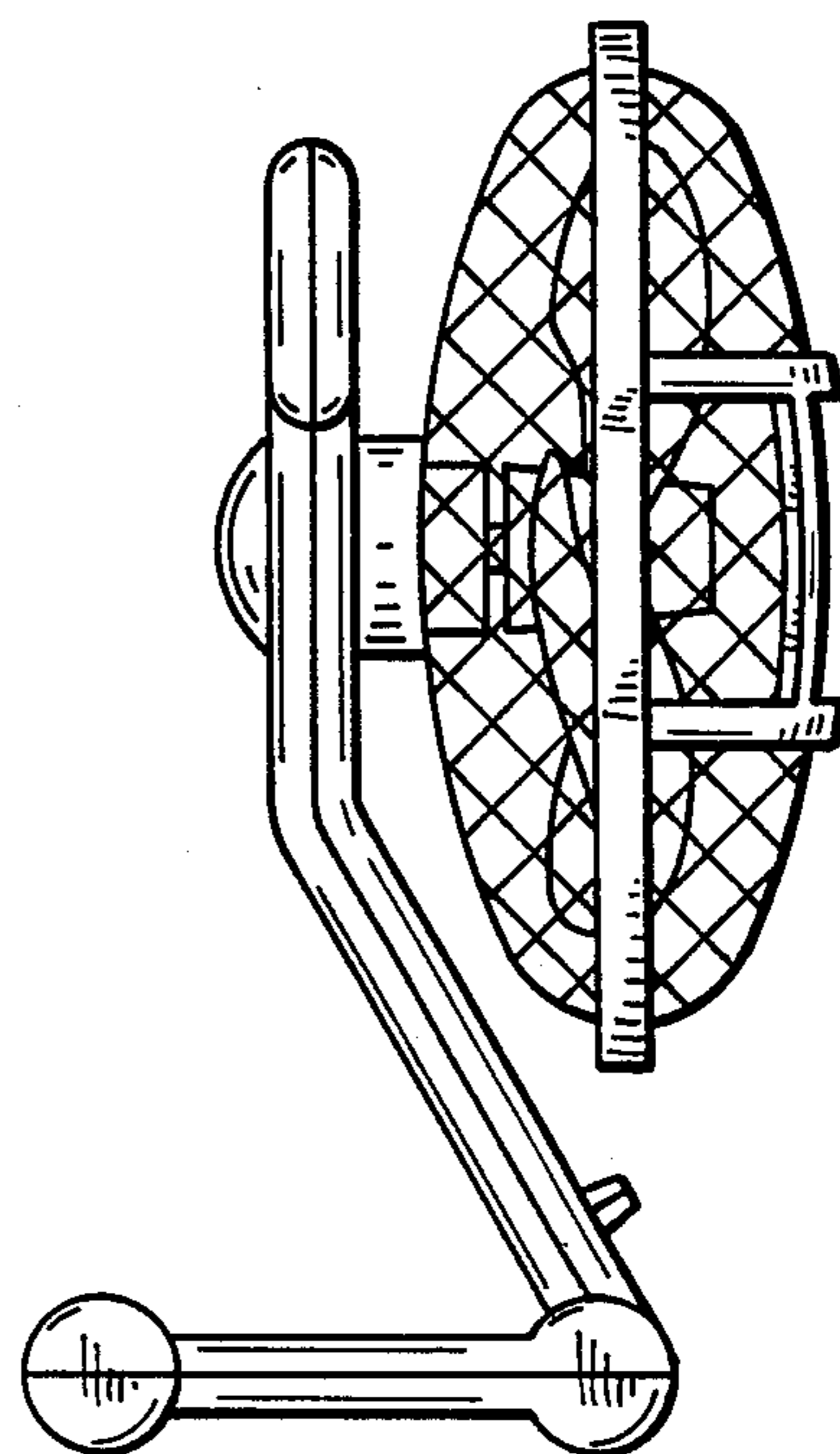
**FIG\_2**



**FIG\_3**



**FIG\_6**



**FIG\_7**