

[54] WATER FILTER

4,368,123 1/1983 Stanley ..... 210/282

[75] Inventor: Clarence W. Ruesch, Palos Hills, Ill.

[73] Assignee: Reliable Metal Stamping Co., Inc., Franklin Park, Ill.

[\*\*] Term: 14 Years

[21] Appl. No.: 35,171

[22] Filed: Apr. 6, 1987

[52] U.S. Cl. .... D23/209

[58] Field of Search ..... D23/200, 207, 209; 210/282, 288, 416.3

[56] References Cited

U.S. PATENT DOCUMENTS

D. 227,886	7/1973	Martinez	.....	D23/209
D. 271,235	11/1983	Ward	.....	D23/209
D. 275,312	8/1984	Ohls	.....	D23/209
D. 289,317	4/1987	Mezey et al.	.....	D23/209
D. 296,463	6/1988	Padilla	.....	D23/209
825,907	7/1906	Huber	.....	D23/209
3,342,340	9/1967	Shindell	.....	210/282

OTHER PUBLICATIONS

Popular Mechanics, 7/1981, p. 79, portable electric water filter, bottom middle of page.

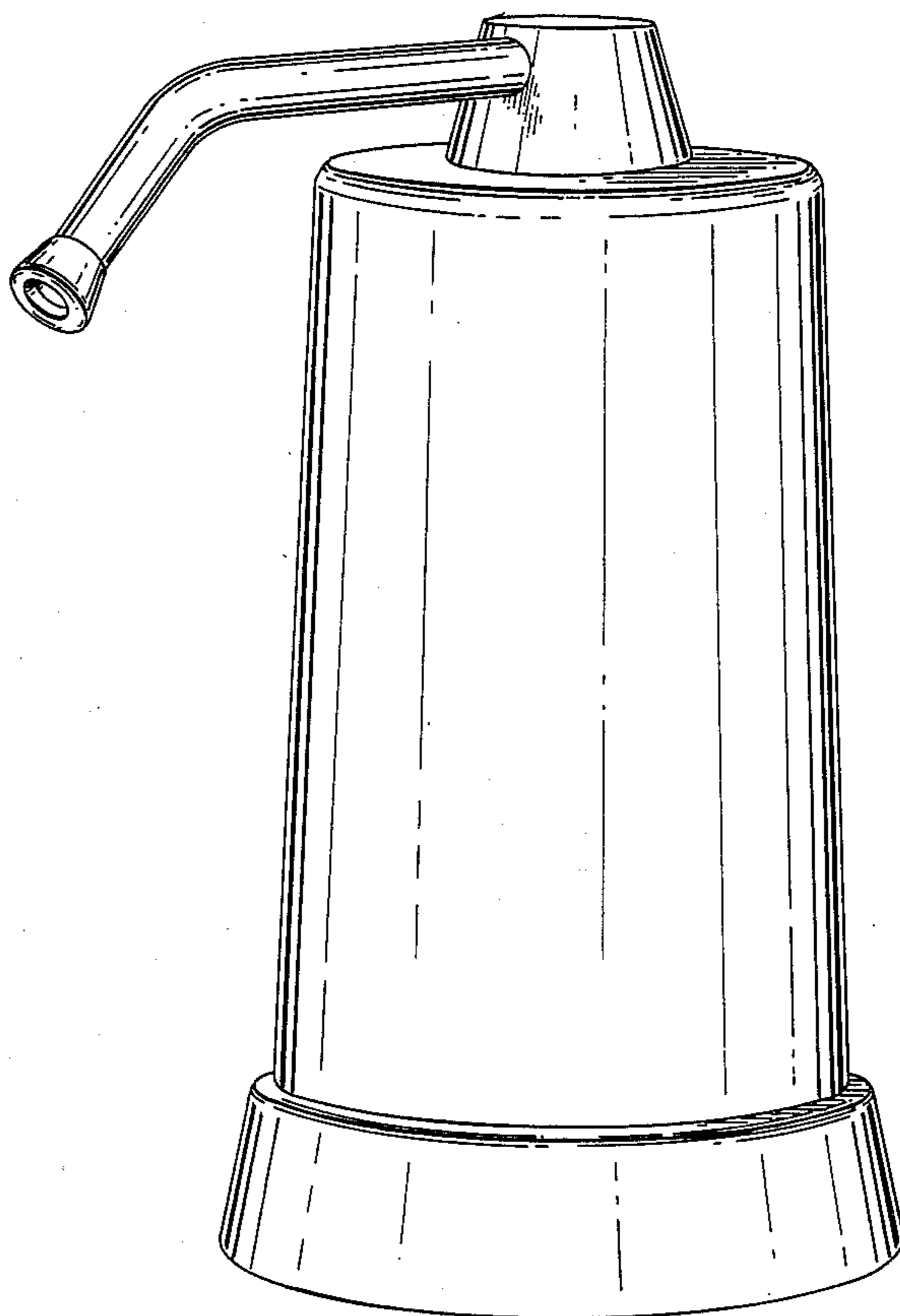
Primary Examiner—Wallace R. Burke  
Assistant Examiner—Lisa Lichtenstein  
Attorney, Agent, or Firm—Dressler, Goldsmith, Shore, Sutker & Milnamow

[57] CLAIM

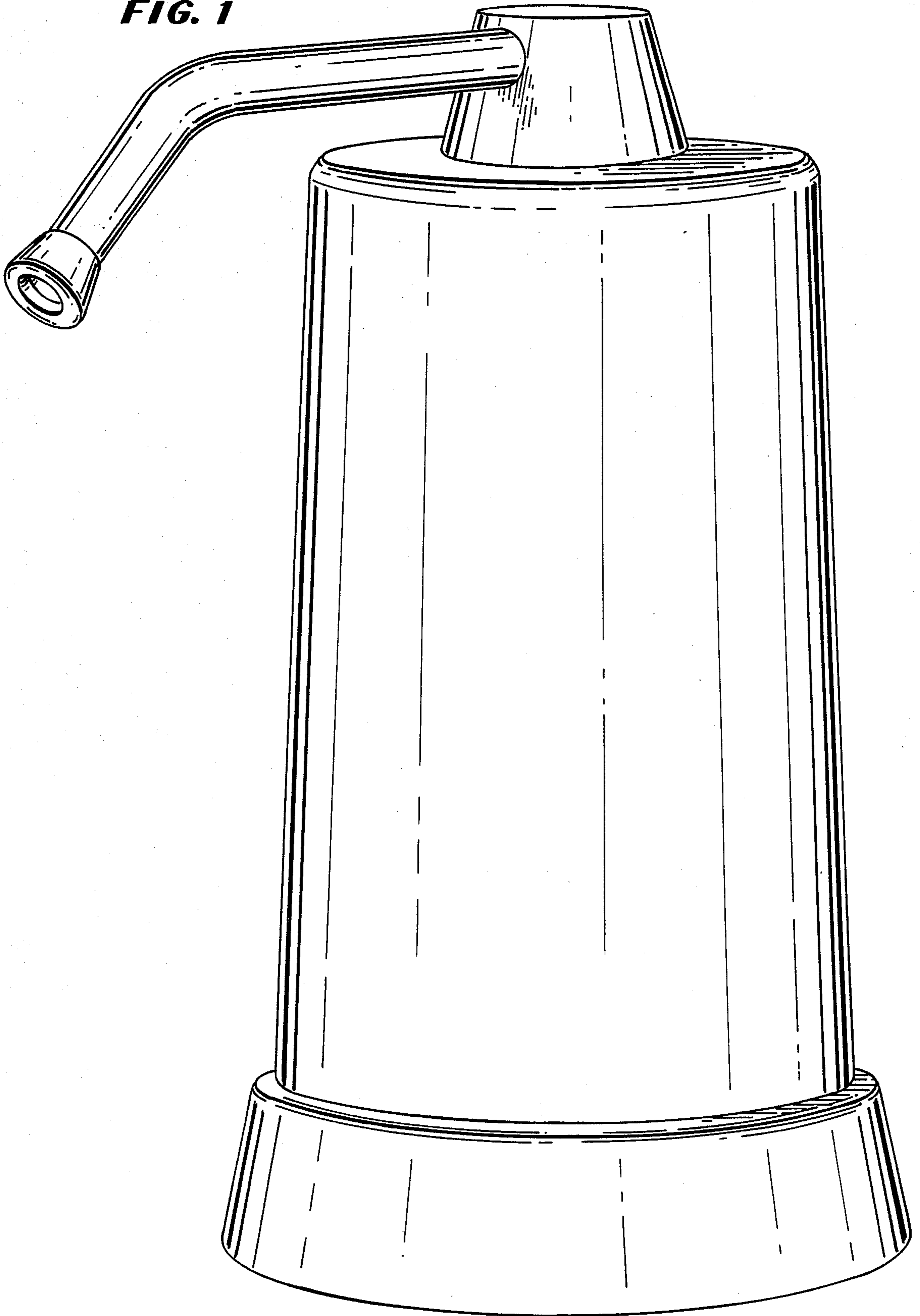
The ornamental design for a water filter, as shown and described.

DESCRIPTION

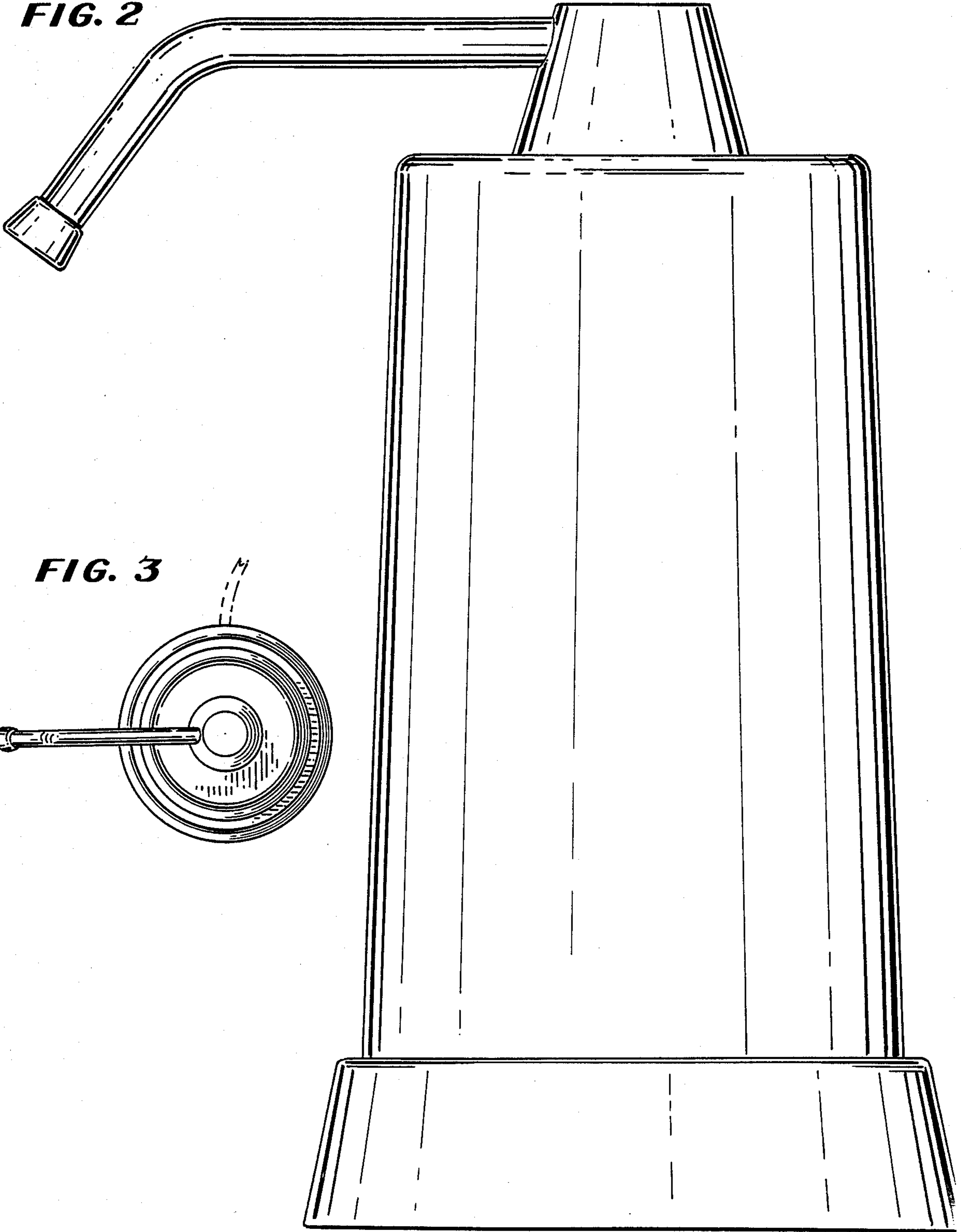
FIG. 1 is a perspective view of a water filter showing my new design;  
FIG. 2 is a side elevation view thereof, the opposite side being a mirror image of the side shown; and  
FIG. 3 is a top plan view thereof on a reduced scale, it being understood that the broken lines are for illustrative purposes only and form no part of the claimed design.



**FIG. 1**



**FIG. 2**



**FIG. 3**

