

United States Patent [19]
Corrie

[11] **Patent Number: Des. 304,362**

[45] **Date of Patent: ** Oct. 31, 1989**

[54] **FISHING HAND CASTER**

2,890,842 6/1959 Rickard D22/137 X
3,010,673 11/1961 Marconi D22/137 X

[76] **Inventor: Alexander S. Corrie, 36 Manilla Street, East Brisbane, Australia, 4169**

Primary Examiner—A. Hugo Word
Attorney, Agent, or Firm—Brumbaugh, Graves, Donohue & Raymond

[**] **Term: 14 Years**

[21] **Appl. No.: 20,680**

[57] **CLAIM**

[22] **Filed: Mar. 2, 1987**

The ornamental design for a fishing hand caster, as shown.

[30] **Foreign Application Priority Data**

Nov. 14, 1986 [AU] Australia 7492/86

[52] **U.S. Cl. D22/137**

[58] **Field of Search** 43/20, 22; 242/84.2 J, 242/85.1, 118.4; D22/137, 140, 141

DESCRIPTION

FIG. 1 is a top plan view of the fishing hand caster showing my new design;

FIG. 2 is a bottom plan view thereof;

FIG. 3 is a side elevational view thereof;

FIG. 4 is a sectional side elevational view thereof taken on line 4—4 on FIG. 2;

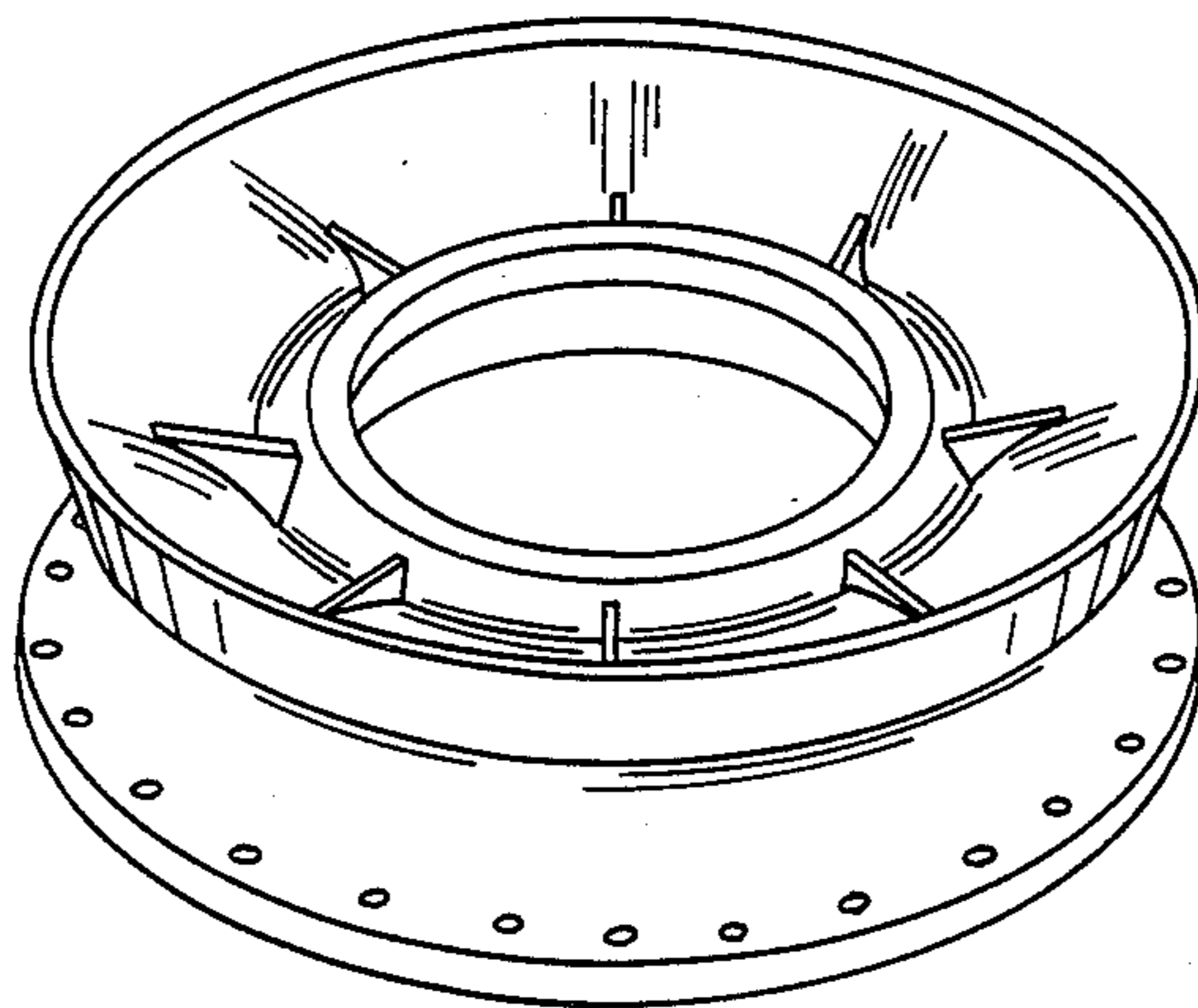
FIG. 5 is a bottom perspective view thereof; and

FIG. 6 is a top perspective view thereof.

[56] **References Cited**

U.S. PATENT DOCUMENTS

D. 296,812 7/1988 Fabry D22/137



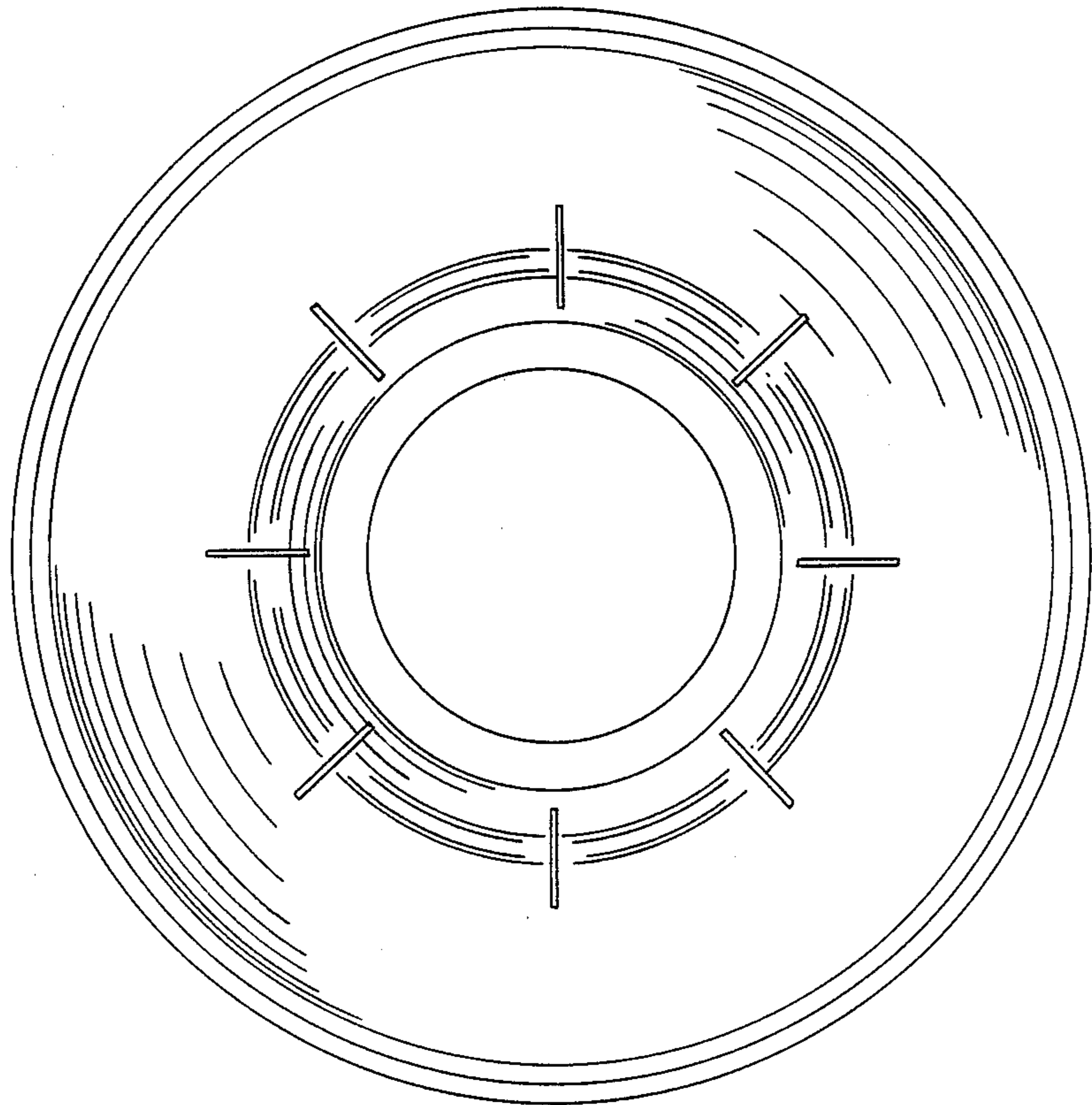


FIG.1

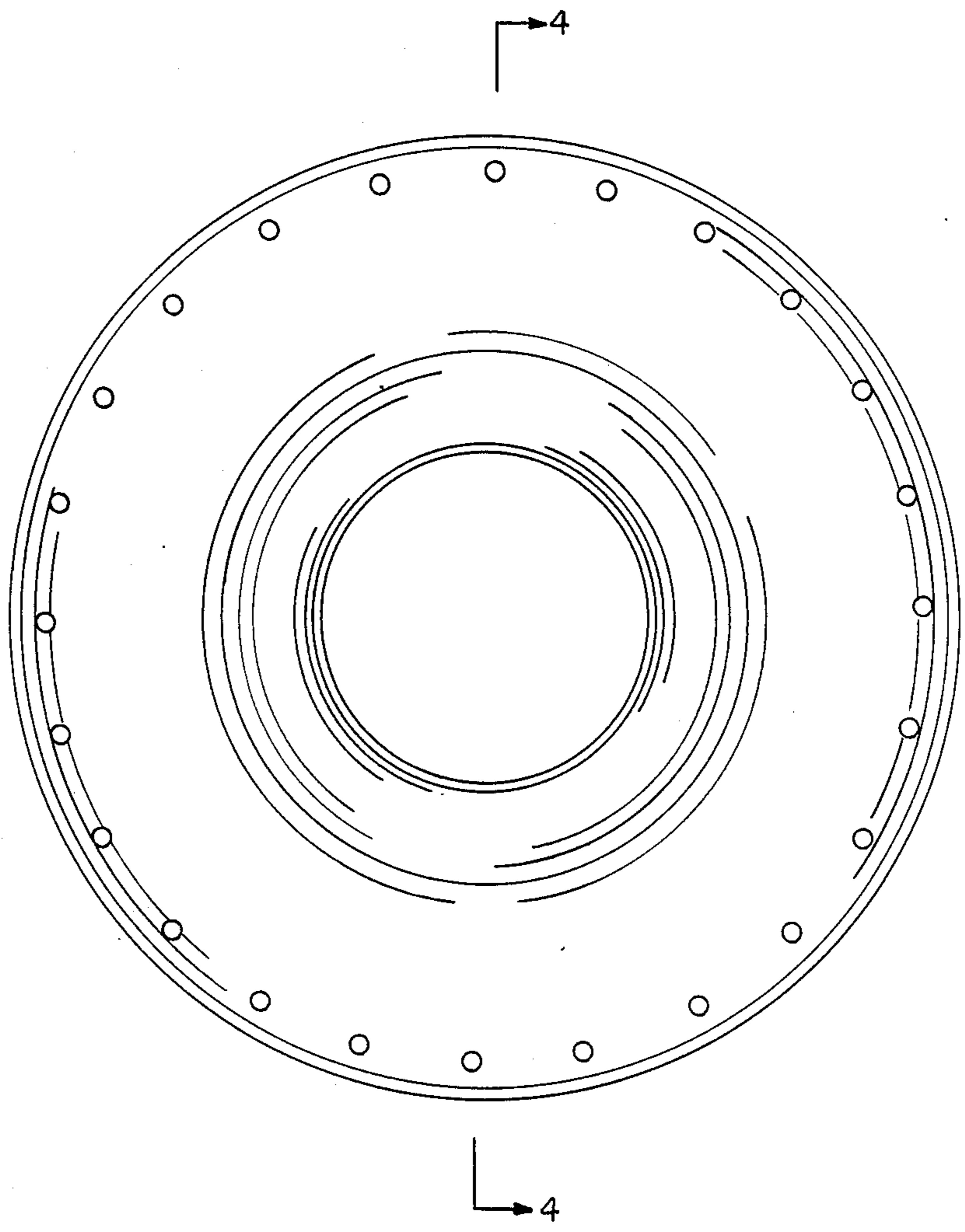


FIG.2

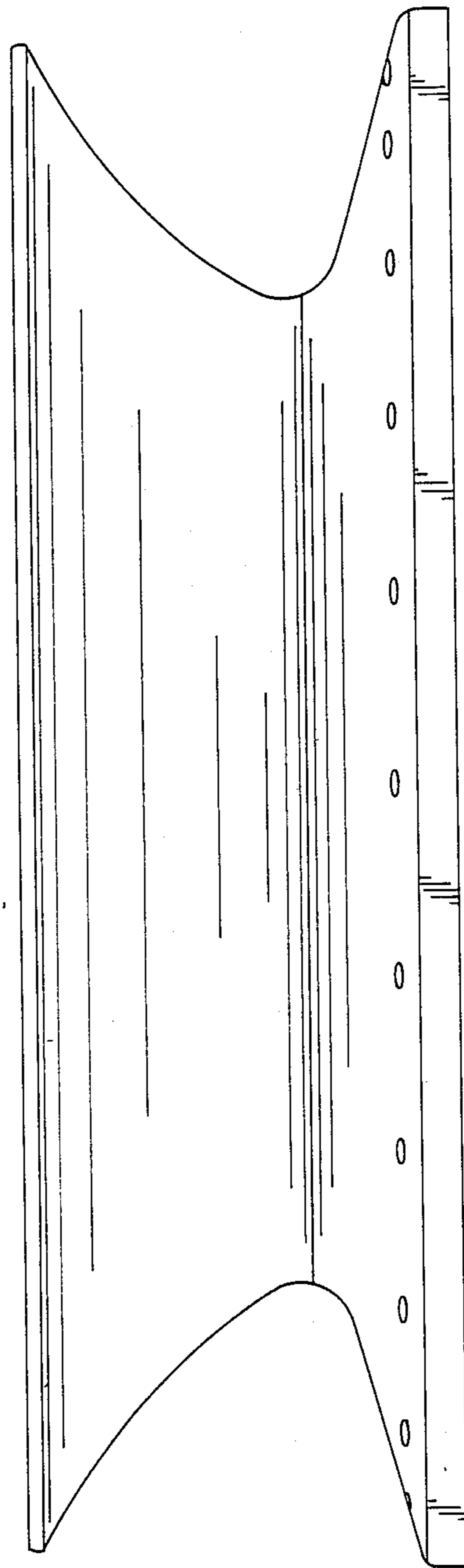


FIG.3

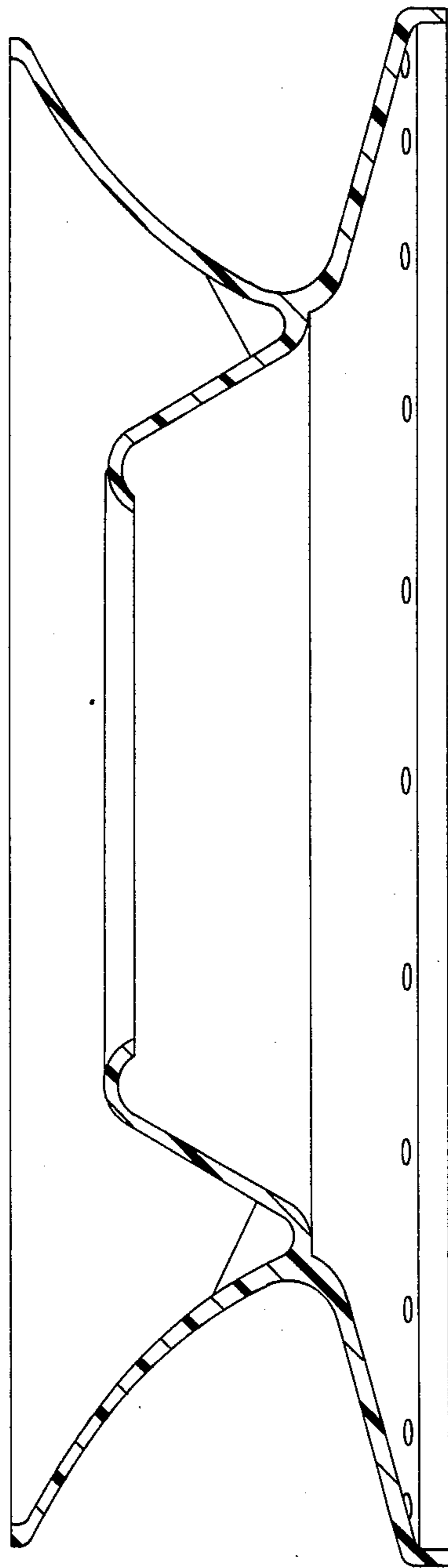


FIG. 4

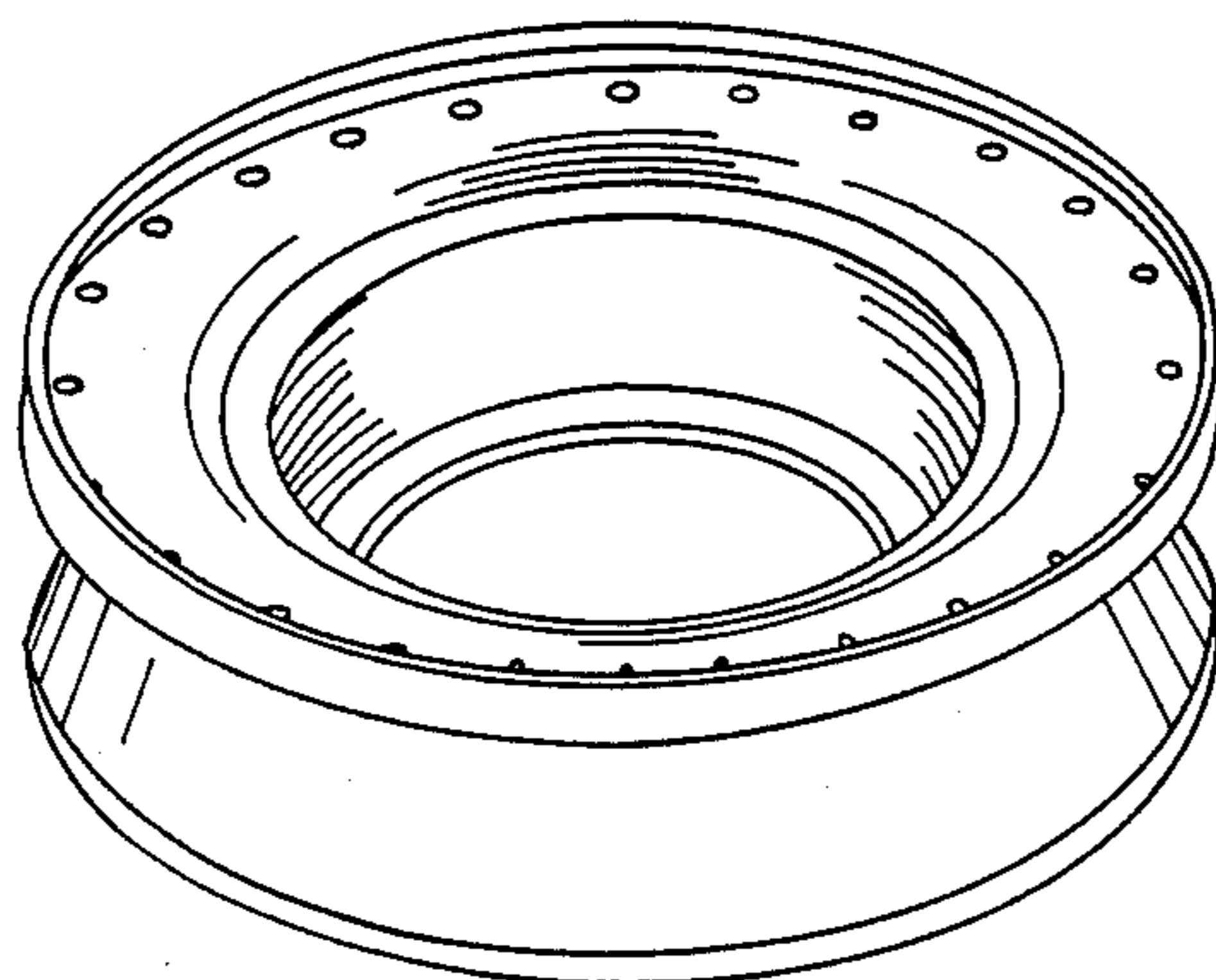


FIG. 5

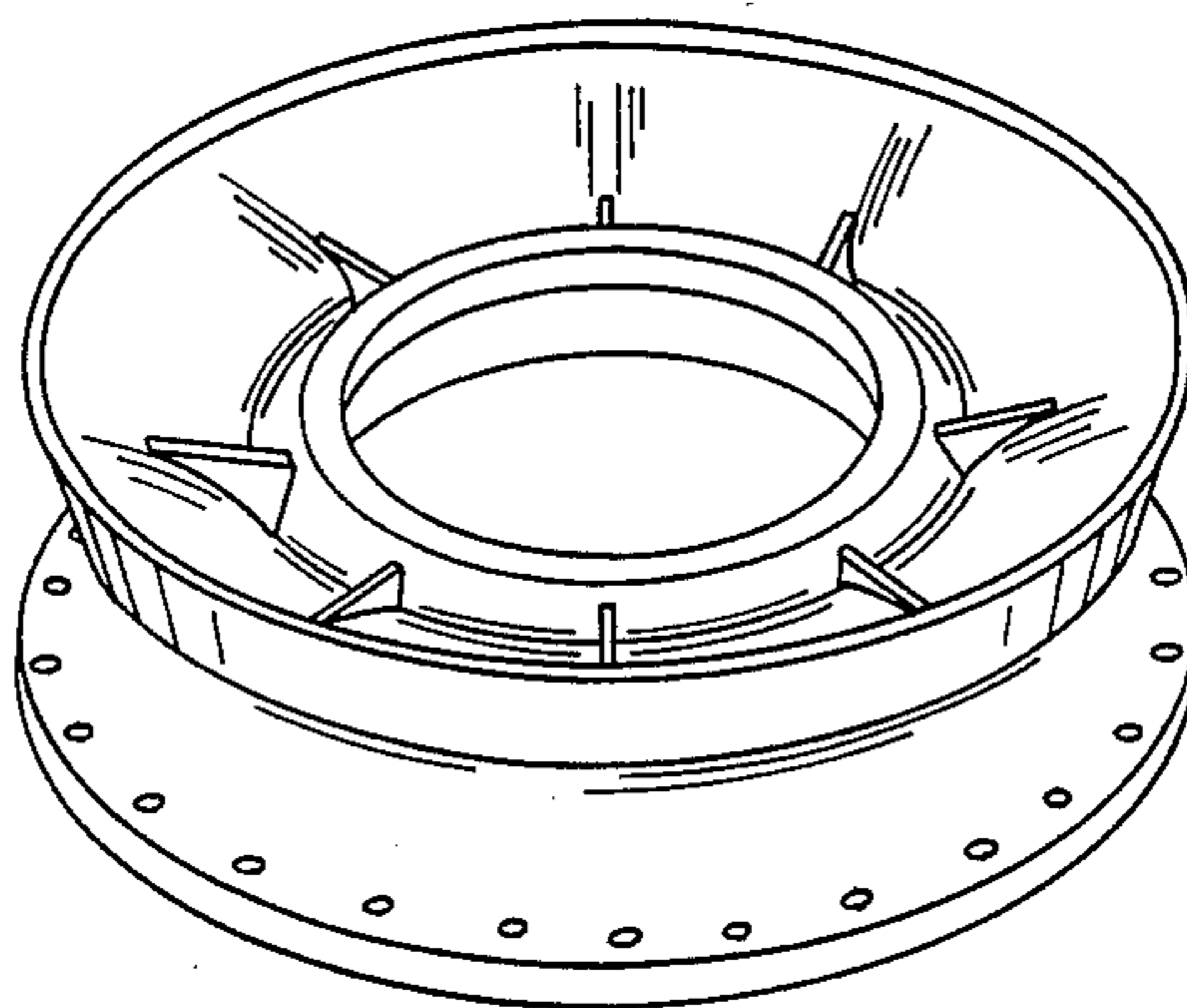


FIG. 6