

United States Patent [19]

Colclasure

[11] Patent Number: **Des. 304,361**

[45] Date of Patent: **** Oct. 31, 1989**

[54] **NOVELTY SKI SEAT**

[75] Inventor: **George M. Colclasure, Oklahoma City, Okla.**

[73] Assignee: **Laid Back Enterprises, Inc., Oklahoma City, Okla.**

[**] Term: **14 Years**

[21] Appl. No.: **850,906**

[22] Filed: **Apr. 8, 1986**

[52] U.S. Cl. **D21/230; D21/240**

[58] Field of Search **D21/224, 228, 229, 230, D21/231, 240; 280/818, 611, 814, 812, 809; D6/358**

[56] **References Cited**

U.S. PATENT DOCUMENTS

D. 215,511 9/1969 Berardo D19/77

D. 222,714	12/1971	Bates	D6/358
2,841,805	7/1959	Roudebush	D21/228
3,627,349	12/1971	Barry	280/818
3,992,022	11/1976	Albers	280/818
4,126,255	11/1978	Olson	280/814

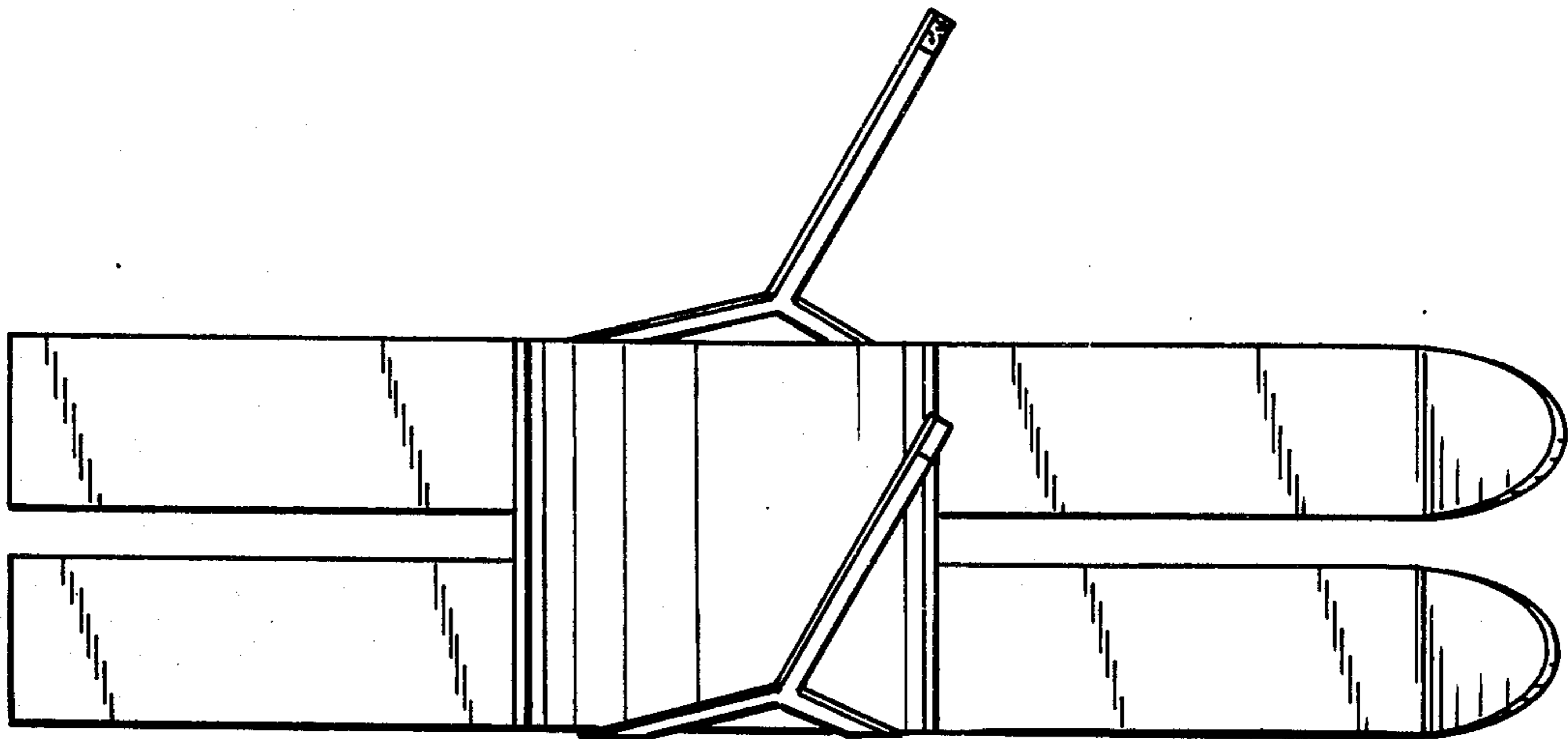
Primary Examiner—Charles A. Rademaker
Attorney, Agent, or Firm—Dunlap, Coddling, Peterson & Lee

[57] **CLAIM**

The ornamental design for a novelty ski seat, as shown.

DESCRIPTION

FIG. 1 is a right side elevational view of novelty ski seat showing my new design;
FIG. 2 is a left side elevational view thereof;
FIG. 3 is a top plan view thereof;
FIG. 4 is a bottom plan view thereof;
FIG. 5 is a front elevational view thereof; and,
FIG. 6 is a rear elevational view thereof.



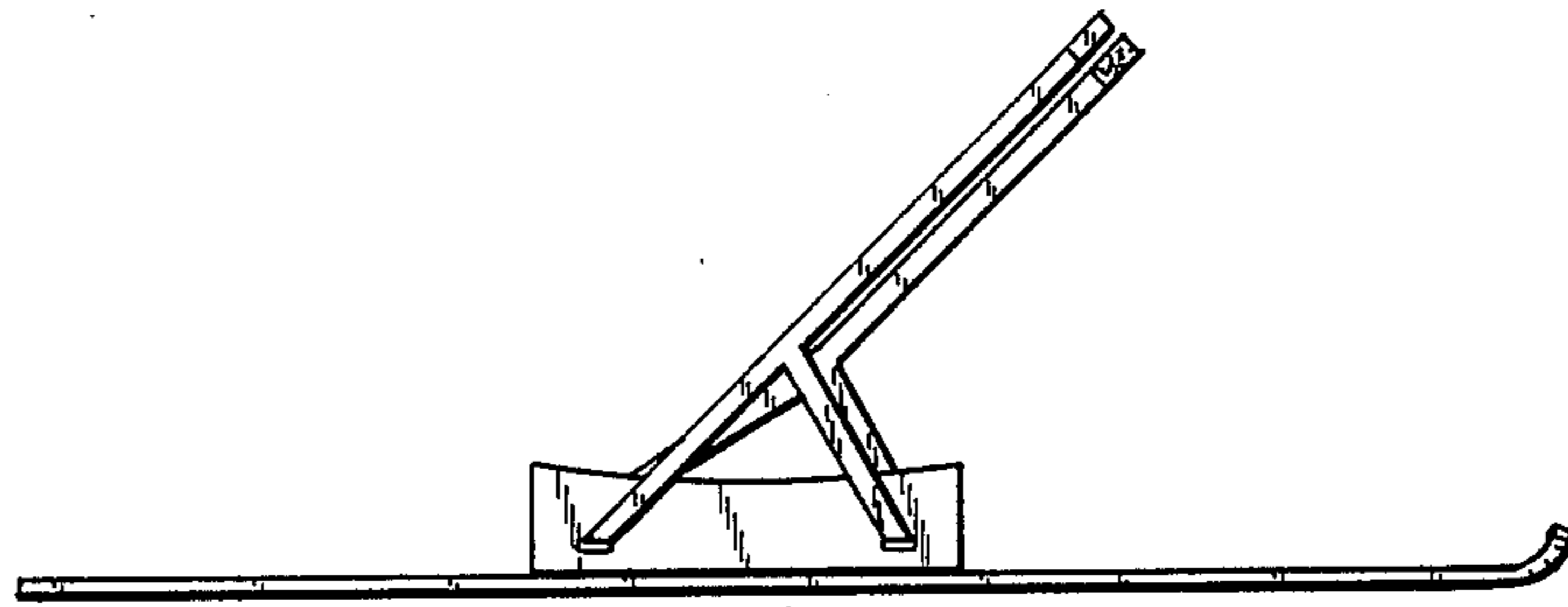


FIG. 1

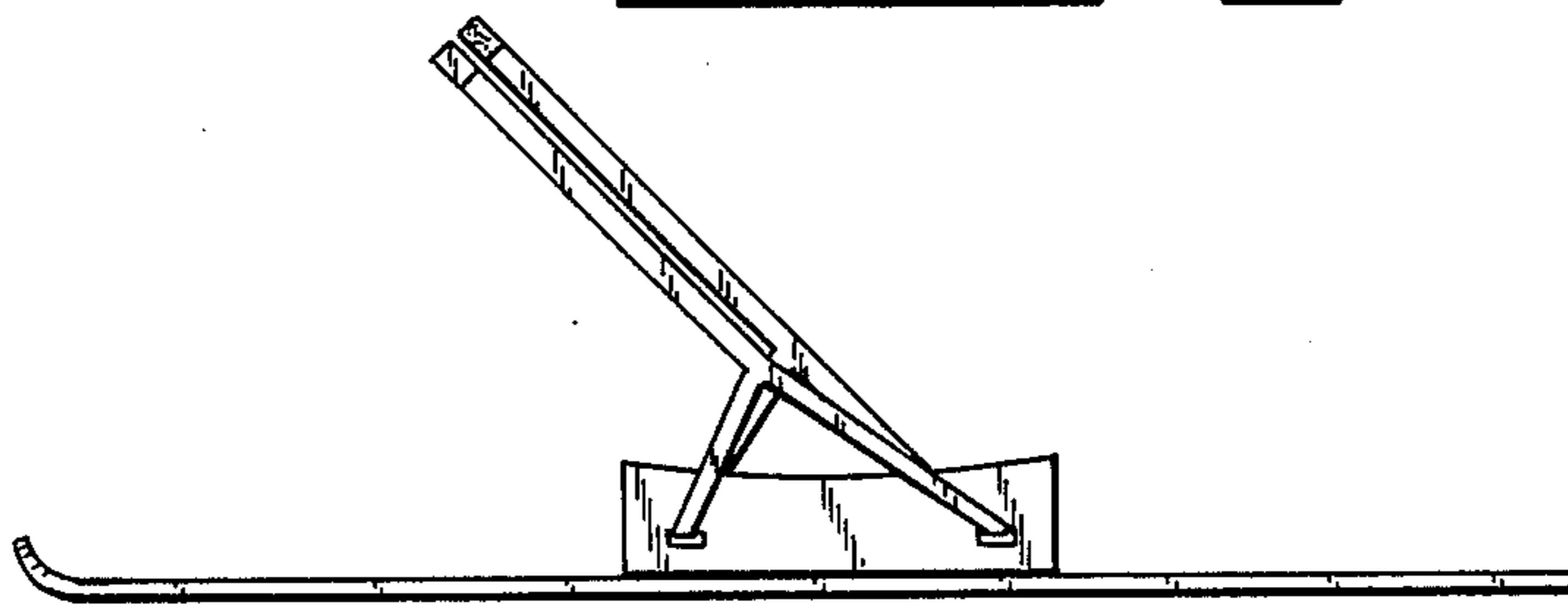


FIG. 2

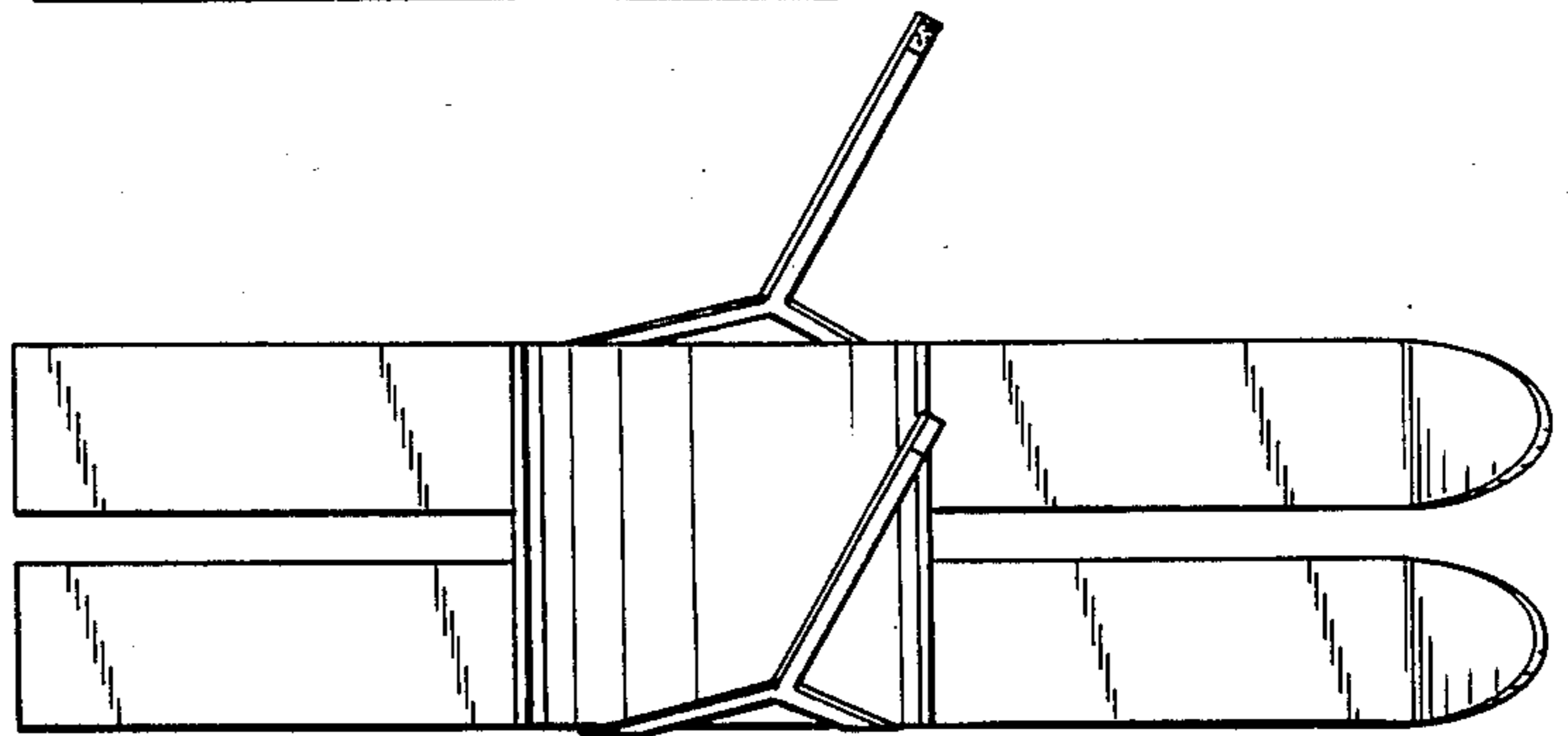


FIG. 3

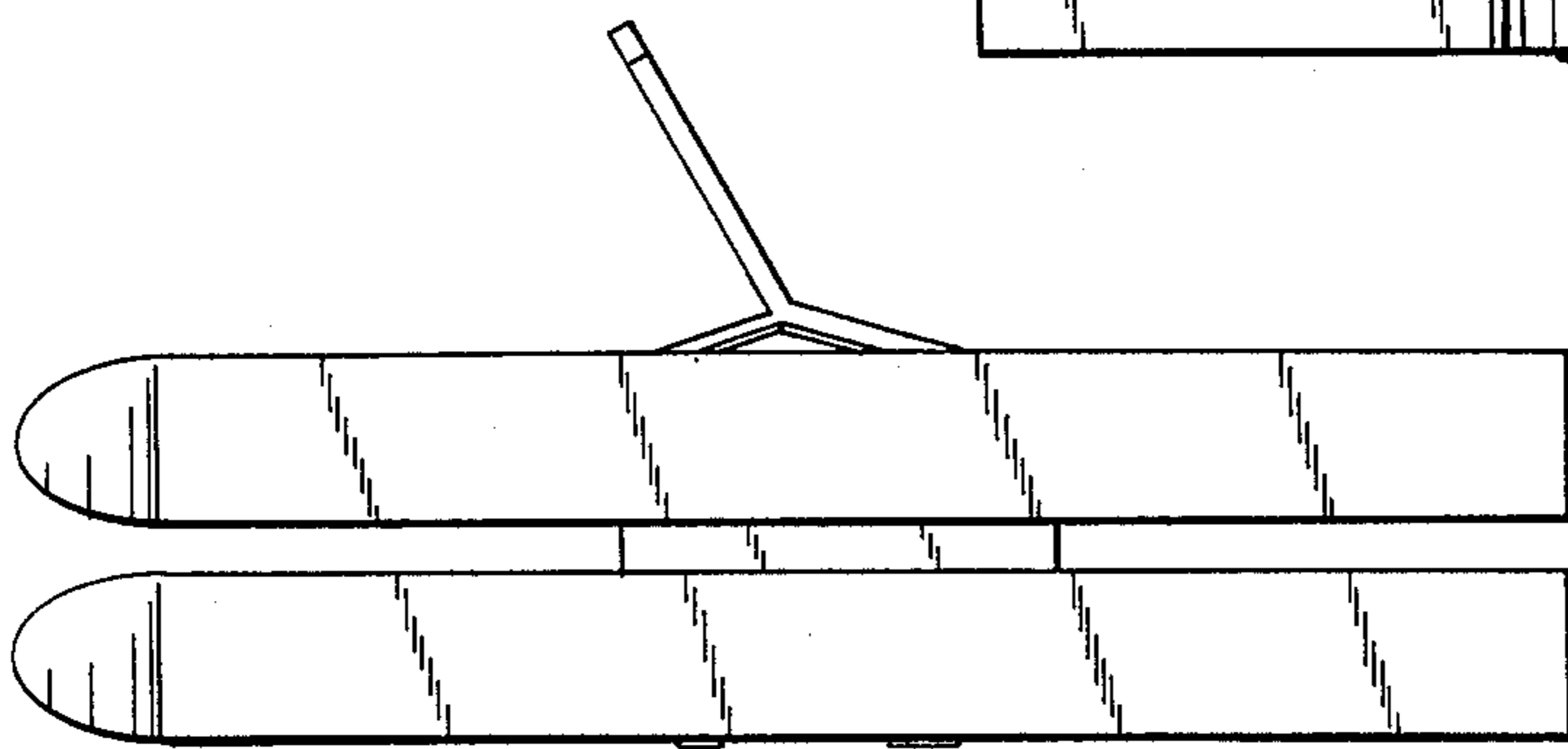


FIG. 4

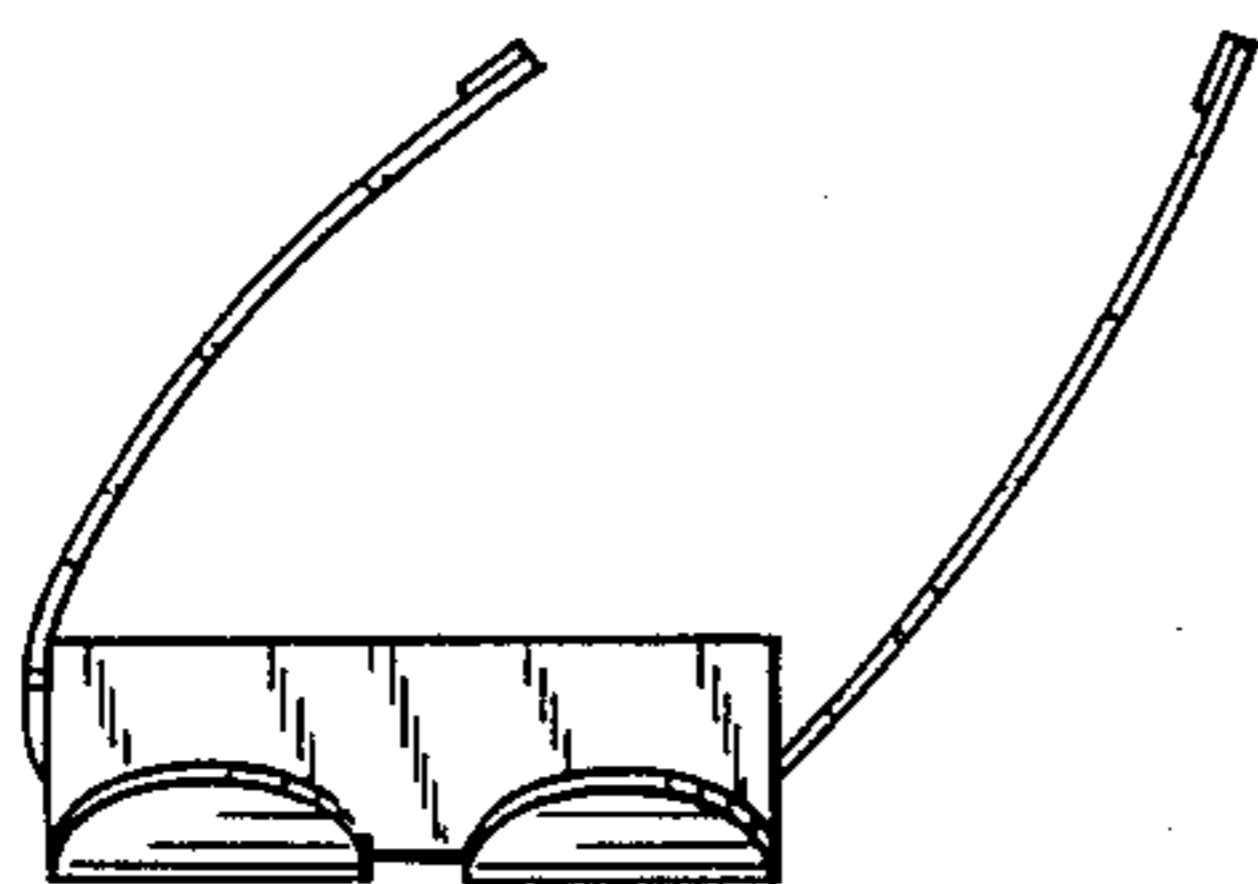


FIG. 5

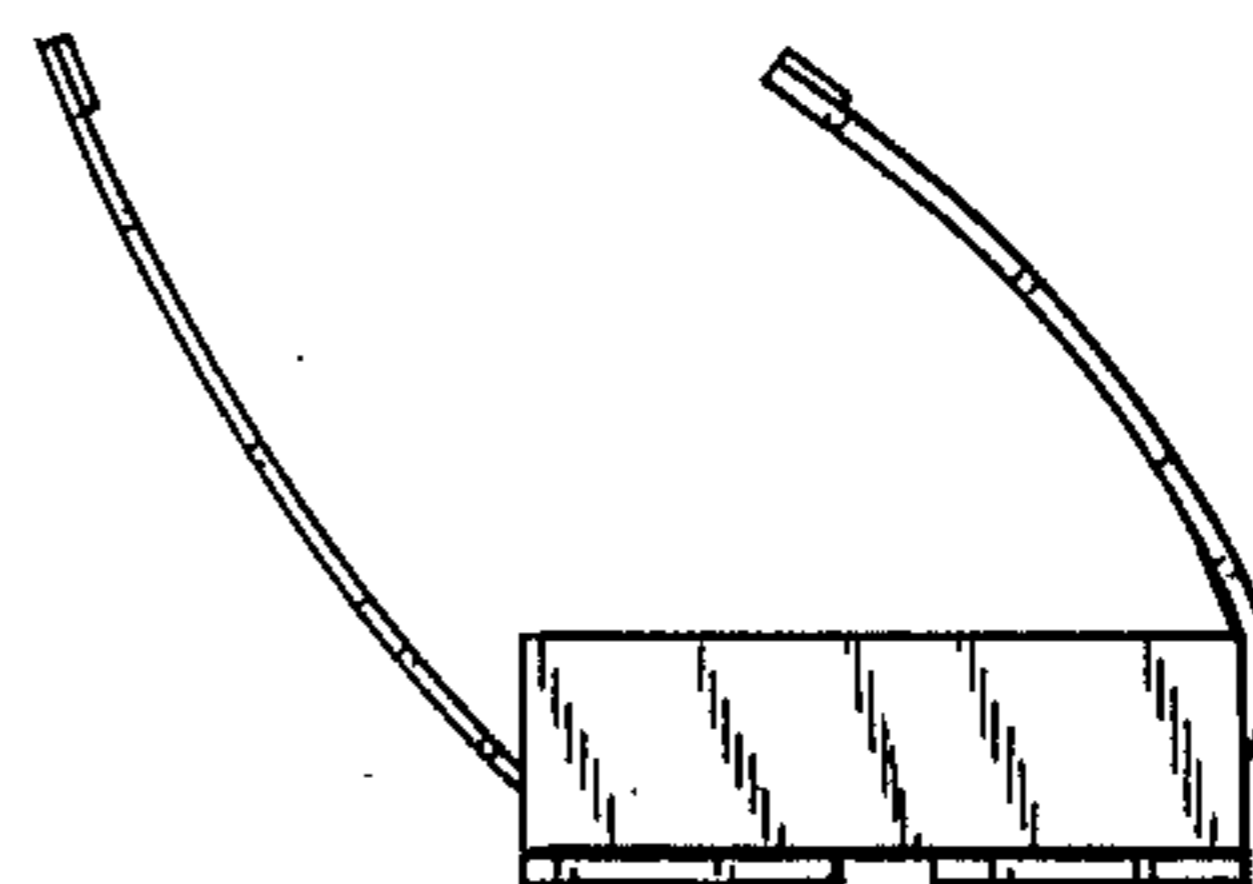


FIG. 6