

[54] **STAIR CLIMBING EXERCISE APPARATUS**

[75] **Inventors:** Timothy O. Armstrong, Bellevue, Wash.; John W. Bull, Irvine, Calif.; David B. Smith, Bellevue, Wash.

[73] **Assignee:** Precor Incorporated, Bothell, Wash.

[**] **Term:** 14 Years

[21] **Appl. No.:** 109,103

[22] **Filed:** Oct. 21, 1987

3,970,302	7/1976	McFee .	
3,976,058	8/1976	Tidwell .	
4,336,934	6/1982	Hanagan et al. .	
4,550,908	11/1985	Dixon .	
4,563,001	1/1986	Terauds .	
4,600,187	7/1986	Schenker .	
4,618,139	10/1986	Haaheim .	
4,650,181	3/1987	Yang .	
4,659,075	4/1987	Wilkinson .	
4,676,501	6/1987	Hoagland et al.	272/70.2
4,681,316	7/1987	DeCloux .	
4,684,126	8/1987	Dalebout et al. .	
4,708,338	11/1987	Potts	272/70
4,733,858	3/1988	Lan .	

Related U.S. Application Data

[63] Continuation-in-part of Ser. No. 12,119, Feb. 6, 1987.

[52] **U.S. Cl. D21/195**

[58] **Field of Search D21/191-199; 272/69, 70, 72, 97, 129, 134, 130, 70.2**

FOREIGN PATENT DOCUMENTS

73744	3/1983	European Pat. Off. .	
523174	4/1931	Fed. Rep. of Germany .	
2243794	3/1973	Fed. Rep. of Germany	272/70
2919494	5/1979	Fed. Rep. of Germany	272/70
197806	12/1976	Hungary .	
WO86/02008	4/1986	PCT Int'l Appl. .	
593703	2/1978	U.S.S.R. .	
2010101	6/1979	United Kingdom	272/70

[56] **References Cited**

U.S. PATENT DOCUMENTS

D. 251,313	3/1979	Jinotti	D21/194
326,247	9/1885	Root .	
1,176,365	3/1916	Hartnett .	
1,521,487	12/1924	Turner .	
2,079,594	5/1937	Clem .	
2,253,996	8/1941	Bechman .	
2,969,060	1/1961	Swanda et al. .	
3,495,824	2/1970	Cuinier .	
3,511,500	5/1970	Dunn .	
3,529,474	9/1970	Olson et al. .	
3,582,069	6/1971	Flick et al. .	
3,587,319	6/1971	Andrews .	
3,598,404	8/1971	Bowman .	
3,628,791	12/1971	Garcia .	
3,747,924	7/1973	Champoux .	
3,756,595	9/1973	Hague .	
3,758,112	9/1973	Crum et al. .	
3,759,511	9/1973	Zinkin et al. .	
3,814,420	6/1974	Encke .	

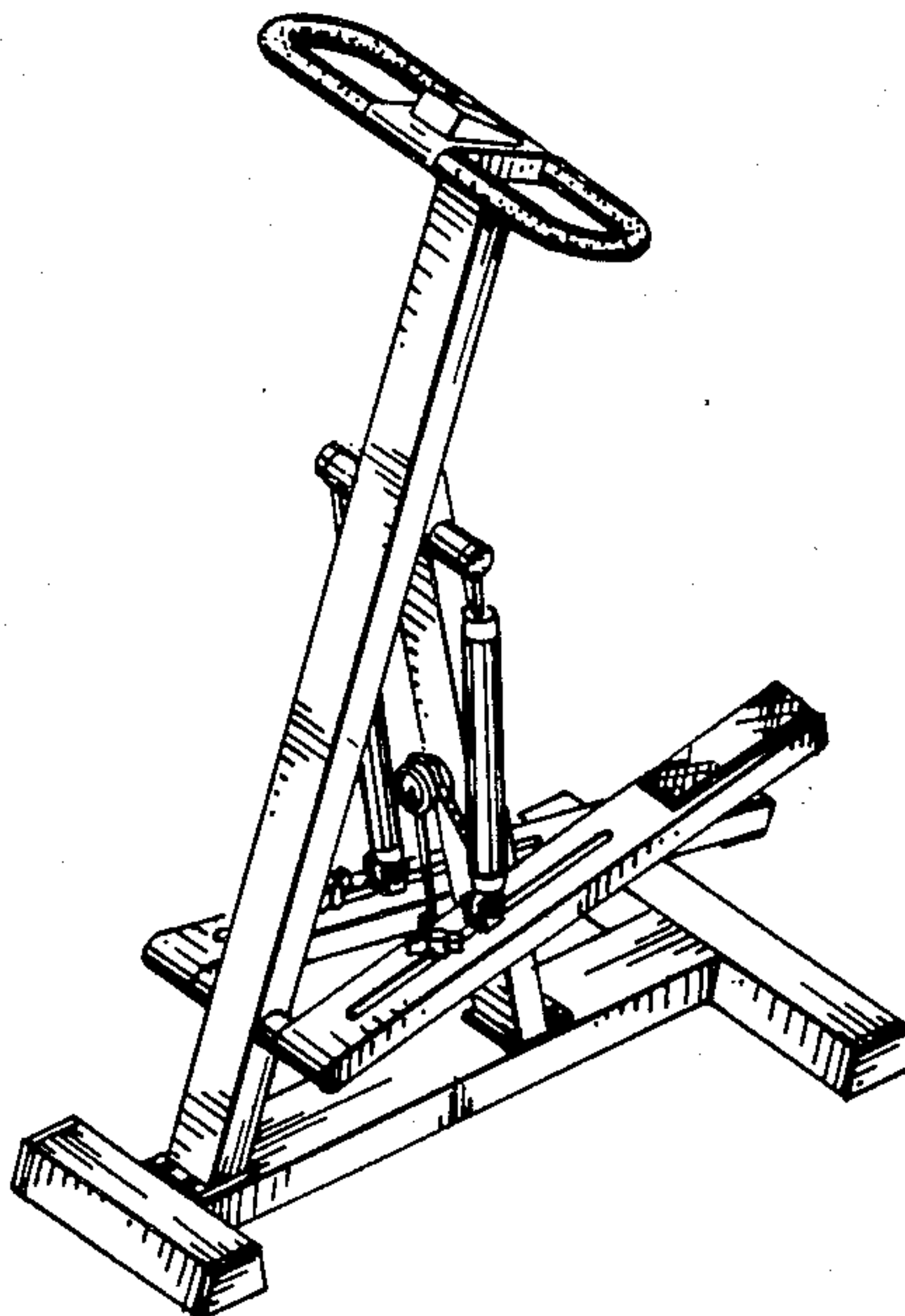
Primary Examiner—Charles A. Rademaker
Attorney, Agent, or Firm—Christensen, O'Connor, Johnson & Kindness

[57] **CLAIM**

The ornamental design for a stair climbing exercise apparatus, as shown and described.

DESCRIPTION

FIG. 1 is a front perspective view of a stair climbing exercise apparatus showing our new design; FIG. 2 is a side elevational view thereof, the side opposite being substantially a mirror image; FIG. 3 is a front elevational view thereof; FIG. 4 is a rear elevational view thereof; FIG. 5 is a top plan view thereof; FIG. 6 is a bottom plan view thereof.



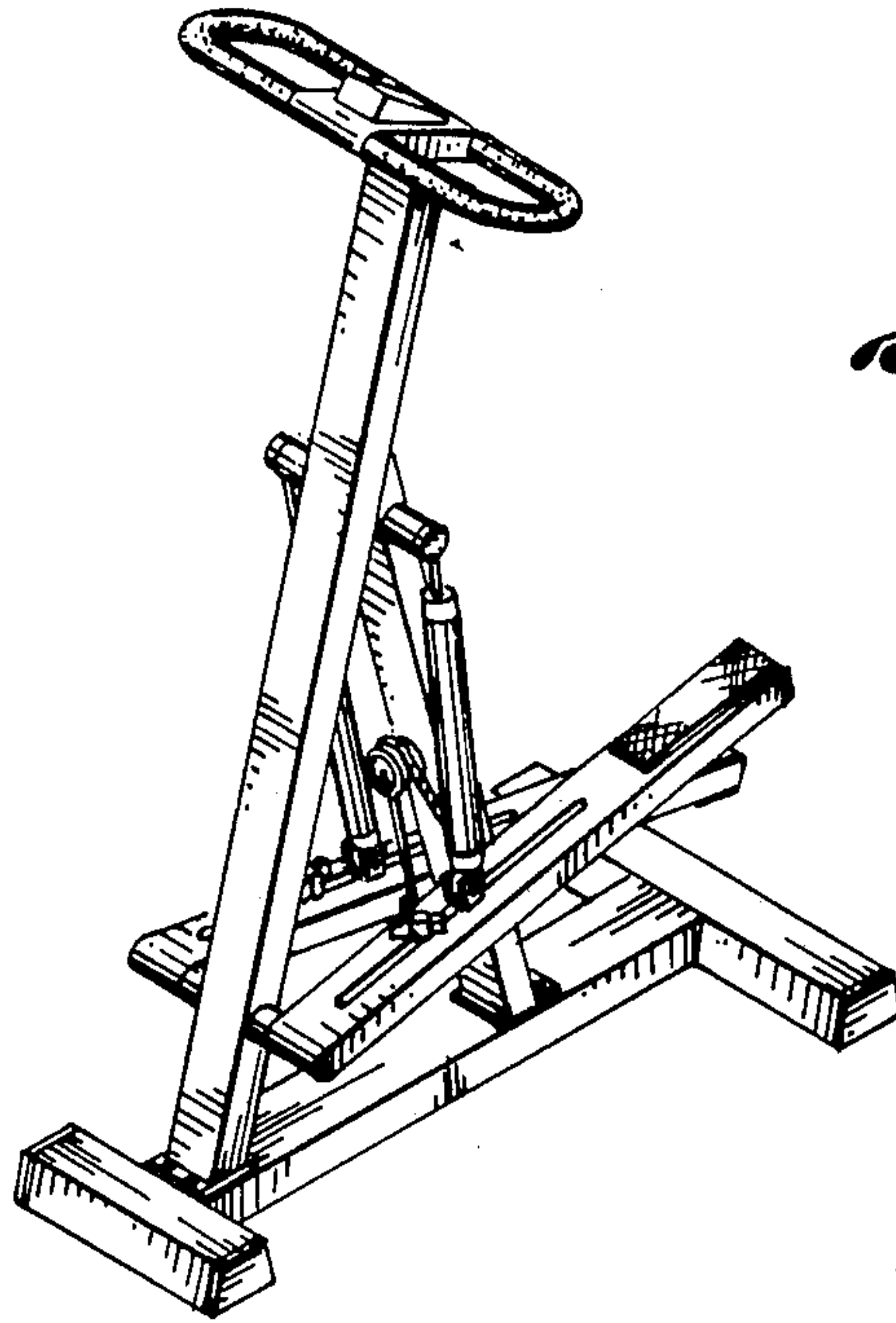


Fig. 1.

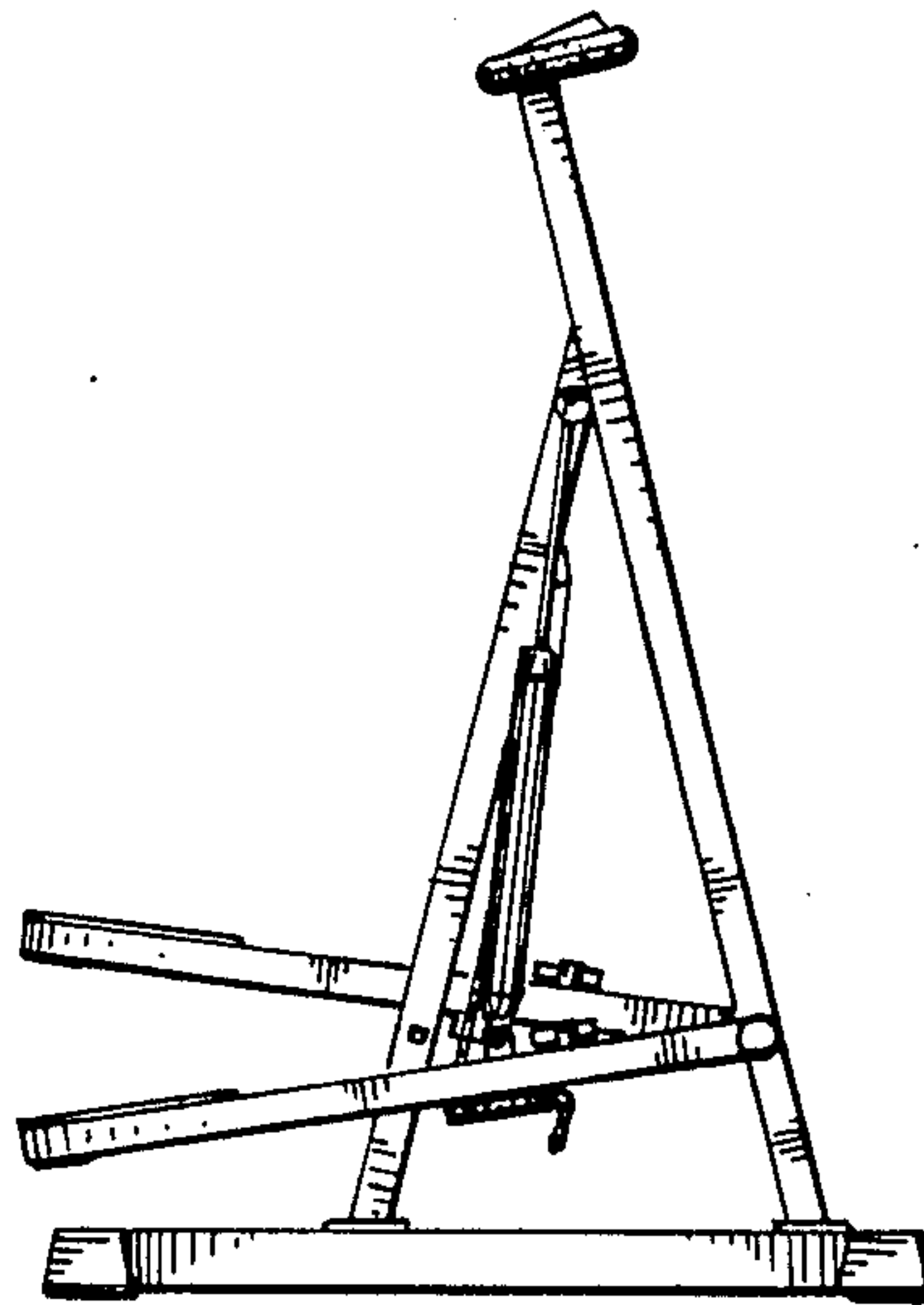


Fig. 2.

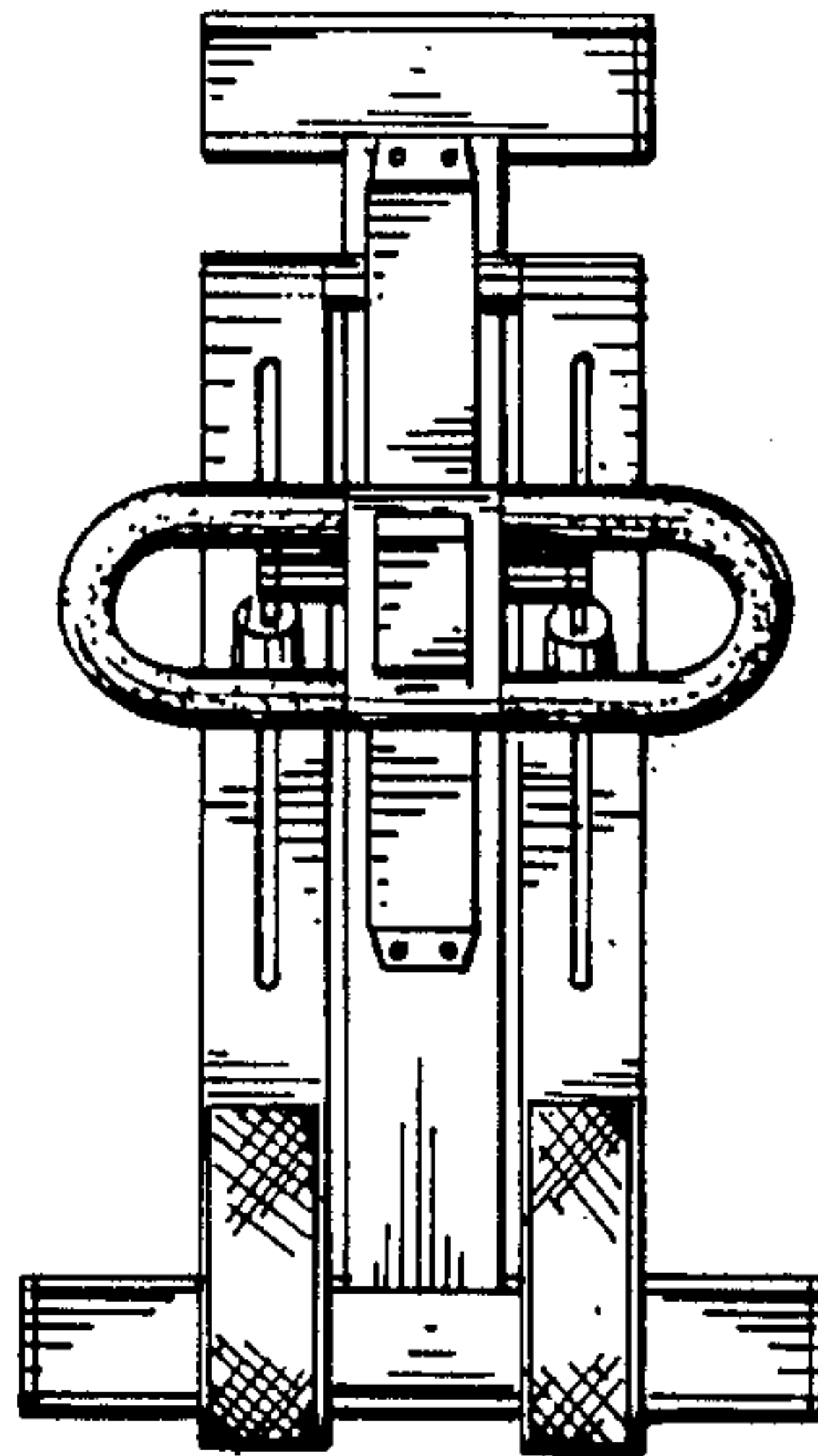


Fig. 3.

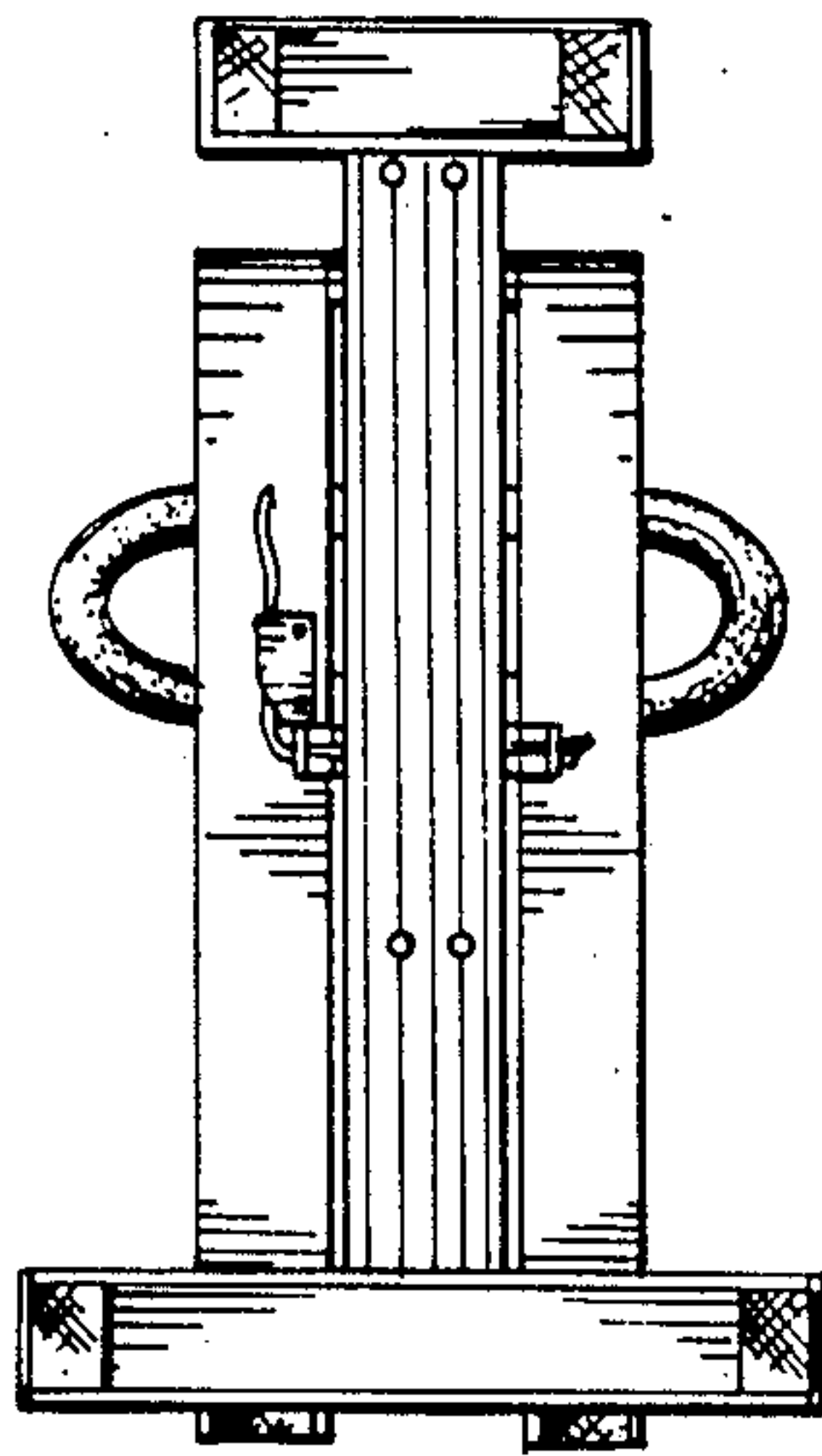


Fig. 4.

Fig. 5.

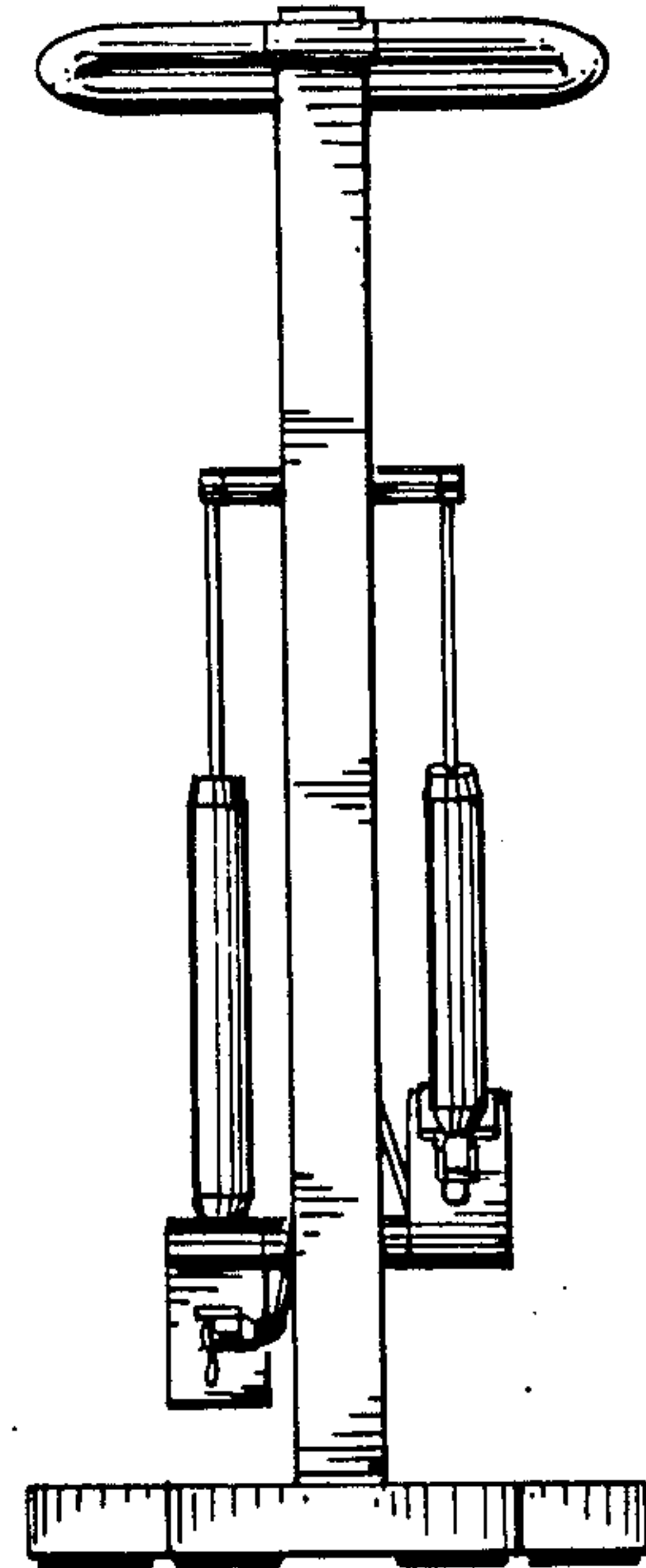
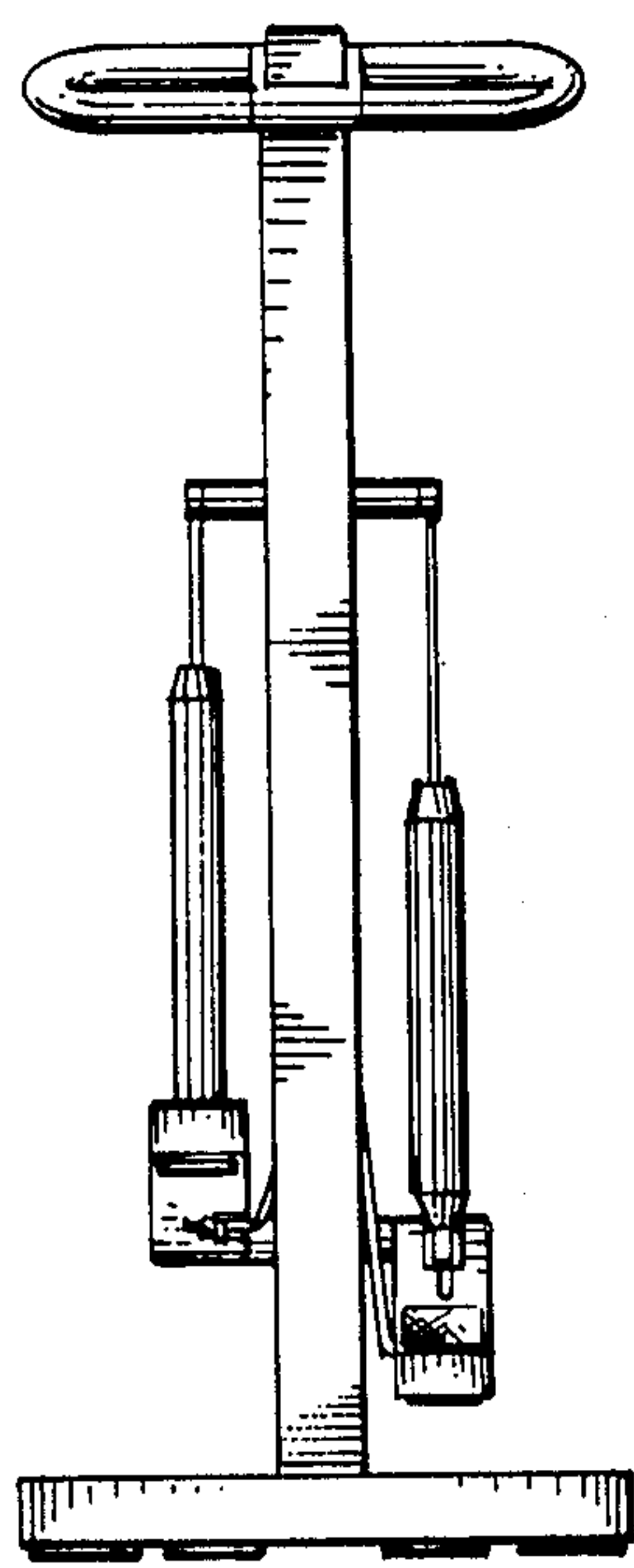


Fig. 6.



UNITED STATES PATENT AND TRADEMARK OFFICE
CERTIFICATE OF CORRECTION

PATENT NO. : Des. 304,358
DATED : October 31, 1989
INVENTOR(S) : Timothy O. Armstrong et al.

It is certified that error appears in the above-identified patent and that said Letters Patent is hereby corrected as shown below:

The DESCRIPTION of Figures 3-6 should be corrected to read as follows:

FIG. 3, delete "is a front elevational view thereof" and insert therefor -- is a top plan view thereof --.

FIG. 4, delete "is a rear elevational view thereof" and insert therefor -- is a bottom plan view thereof --.

FIG. 5, delete "is a top plan view thereof" and insert therefor -- is a front elevational view thereof --.

FIG. 6, delete "is a bottom plan view thereof" and insert therefor -- is a rear elevational view thereof --.

**Signed and Sealed this
Second Day of October, 1990**

Attest:

HARRY F. MANBECK, JR.

Attesting Officer

Commissioner of Patents and Trademarks