

[54] BICYCLE EXERCISE STAND

[76] Inventor: Sidney W. Maes, P.O. Box 3404 F.S., Espanola, N. Mex. 87533

[**] Term: 14 Years

[21] Appl. No.: 160,100

[22] Filed: Feb. 25, 1988

[52] U.S. Cl. D21/194

[58] Field of Search D21/191-199; 272/73, 73.1, 70.1, 70.2, 132; 79/379

[56] References Cited

U.S. PATENT DOCUMENTS

D. 273,882	5/1984	Bryne	D21/191
D. 280,225	8/1985	Eagle	D21/194
4,026,546	5/1977	Omori	272/73.1
4,262,899	4/1981	Alvarez	272/73.1

OTHER PUBLICATIONS

American Bicyclist & Motorcyclist, 4-1978, p. 90, Indoor Exerciser for Cycle.

Primary Examiner—Charles A. Rademaker
Attorney, Agent, or Firm—Jerry T. Kearns

[57] CLAIM

The ornamental design for a bicycle exercise stand, as shown and described.

DESCRIPTION

FIG. 1 is a front elevational view of bicycle exercise stand showing my new design;

FIG. 2 is a rear elevational view thereof;

FIG. 3 is a left side elevational view thereof;

FIG. 4 is a right side elevational view thereof;

FIG. 5 is a top plan view thereof; and,

FIG. 6 is a bottom plan view thereof.

The broken lines showing of a bicycle in FIGS. 3 and 4 is for illustrative purposes only and forms no part of the claimed design.

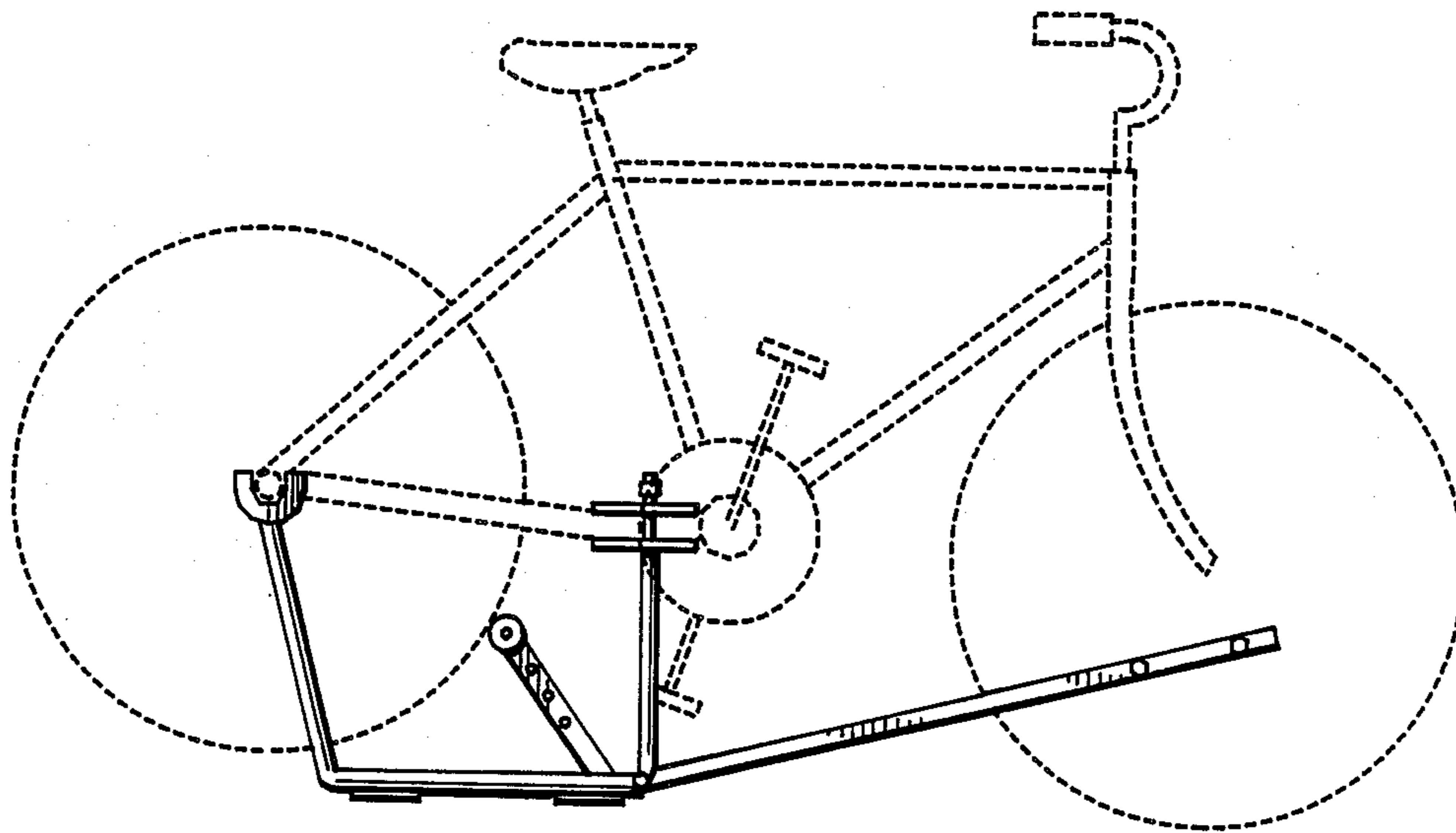


Fig. 1

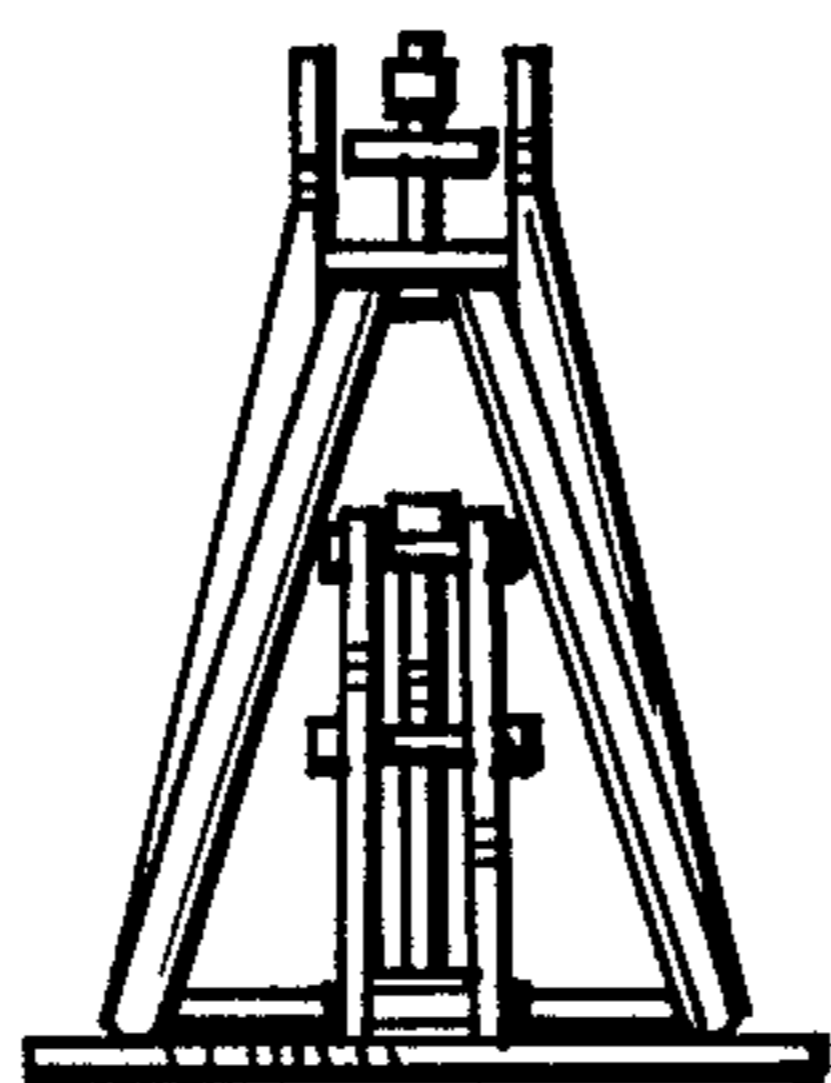


Fig. 2

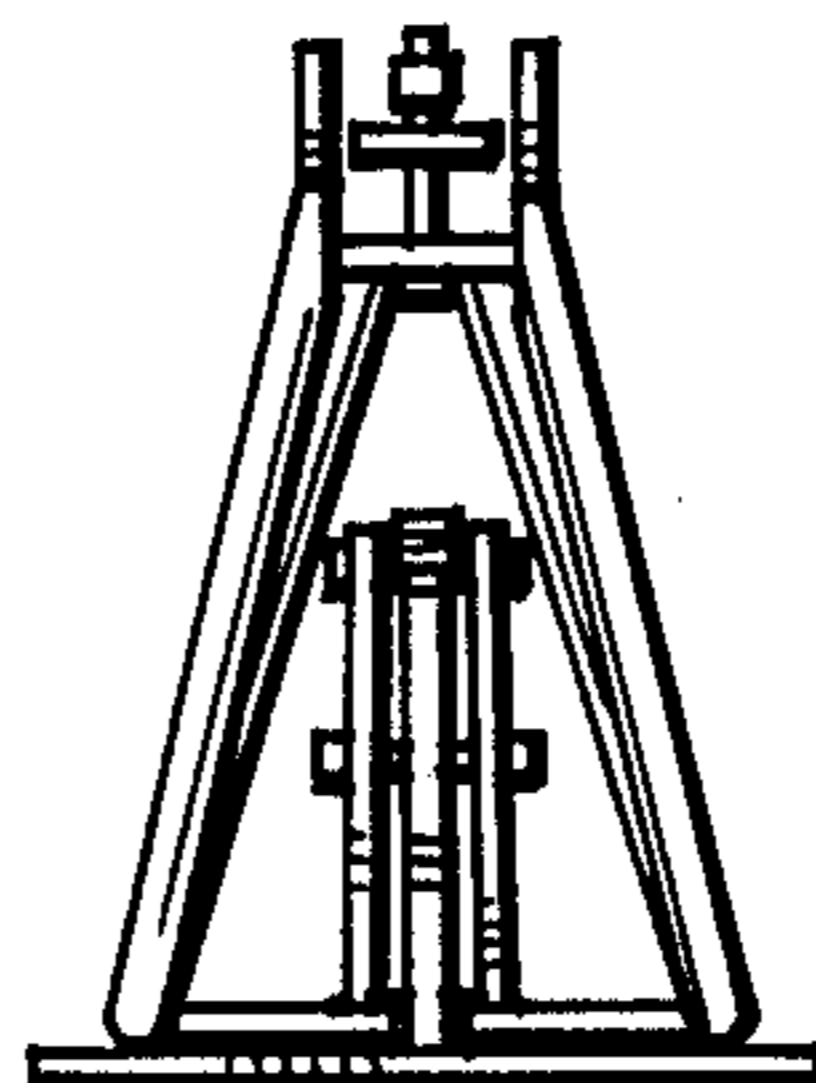


Fig. 5

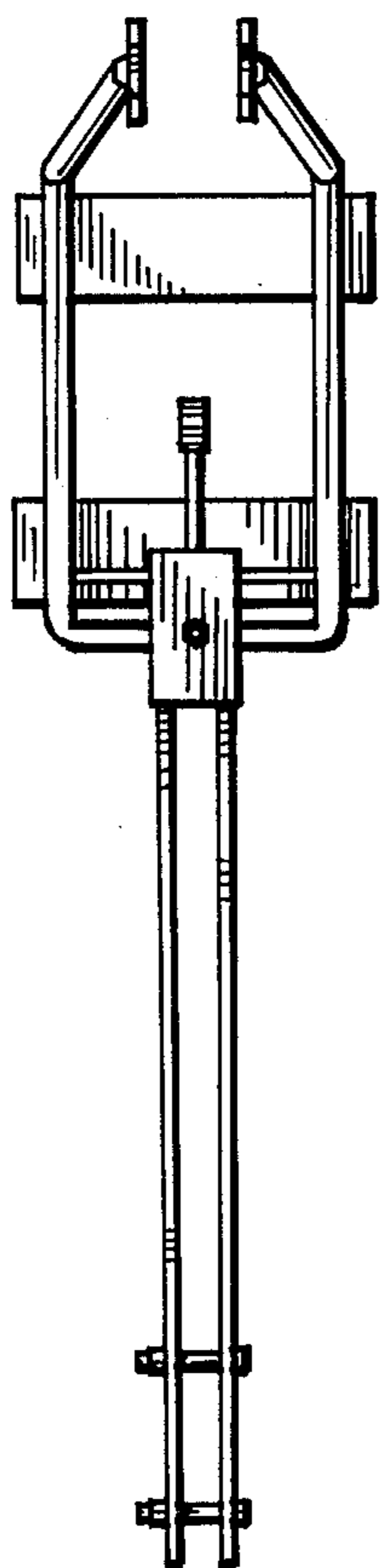


Fig. 6

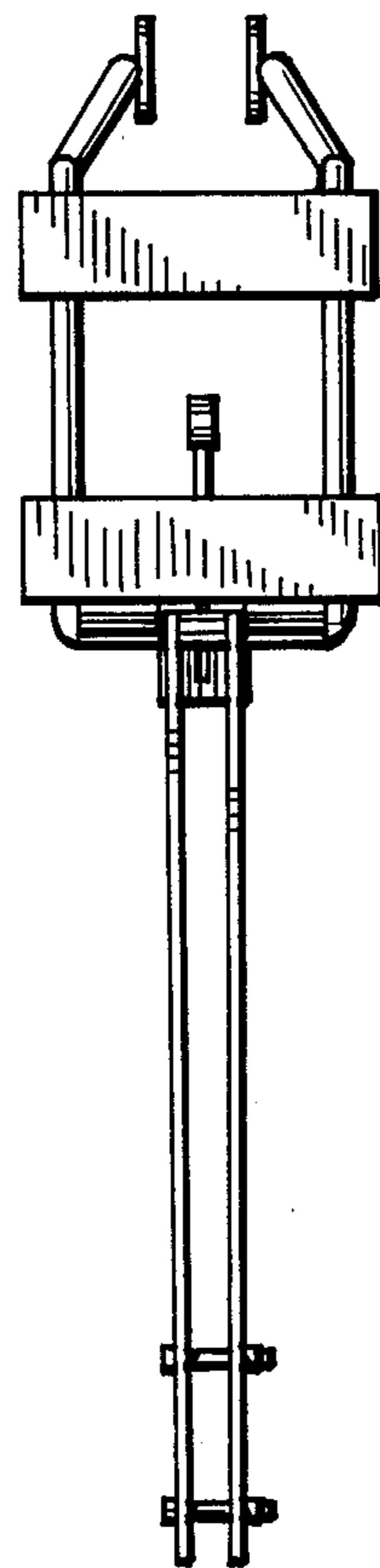


Fig. 3

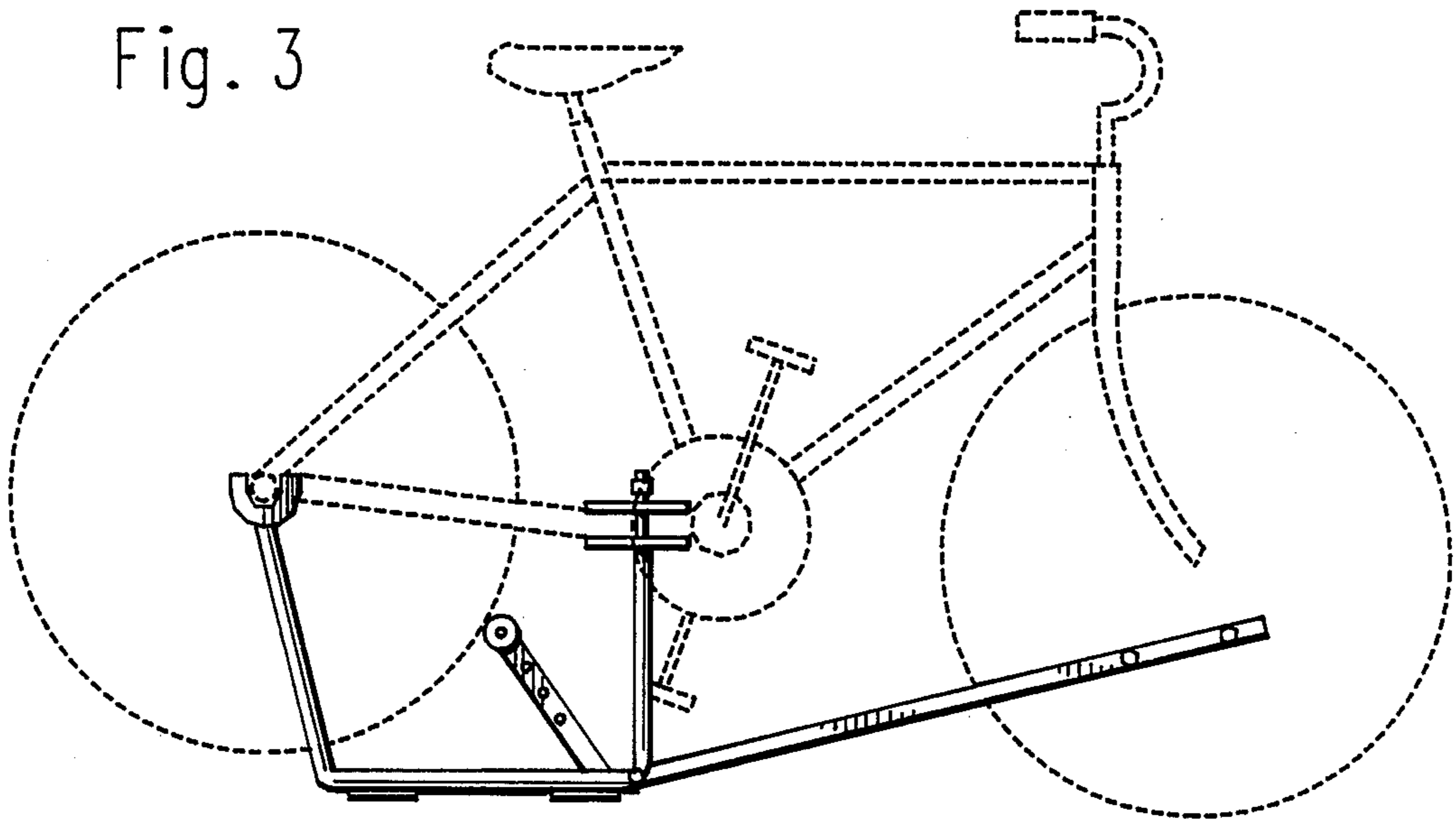


Fig. 4

