

[54] INTERNALLY CURVED TOY WALL ELEMENT

[75] Inventor: Jens N. Knudsen, Billund, Denmark

[73] Assignee: Interlego A.G., Switzerland

[**] Term: 14 Years

[21] Appl. No.: 127,883

[22] Filed: Dec. 2, 1987

[52] U.S. Cl. D21/108

[58] Field of Search D21/90, 108, 114, 115, D21/116, 117, 118, 119, 124, 138, 141; 446/85, 102, 103, 104, 107, 108, 109, 110, 111, 112, 113, 114, 115, 116, 117, 120, 121, 122, 124, 125, 127, 128

[56] References Cited

U.S. PATENT DOCUMENTS

- D. 285,707 9/1986 Dideriksen D21/108
- D. 290,722 7/1987 Kushner D21/114
- D. 291,101 7/1987 Knudsen et al. D21/108

- D. 295,647 5/1988 Knudsen D21/108
- D. 295,648 5/1988 Knudsen D21/108
- 1,100,061 6/1914 Ebert 446/109
- 3,659,360 5/1972 Zeischegg D21/108

Primary Examiner—Charles A. Rademaker
Assistant Examiner—Alicia A. Farrell
Attorney, Agent, or Firm—Kane, Dalsimer, Sullivan, Kurucz, Levy, Eisele and Richard

[57] CLAIM

The ornamental design for an internally curved toy wall element, as shown and described.

DESCRIPTION

FIG. 1 is a top perspective view of the internally curved wall element for a toy building set showing my new design,

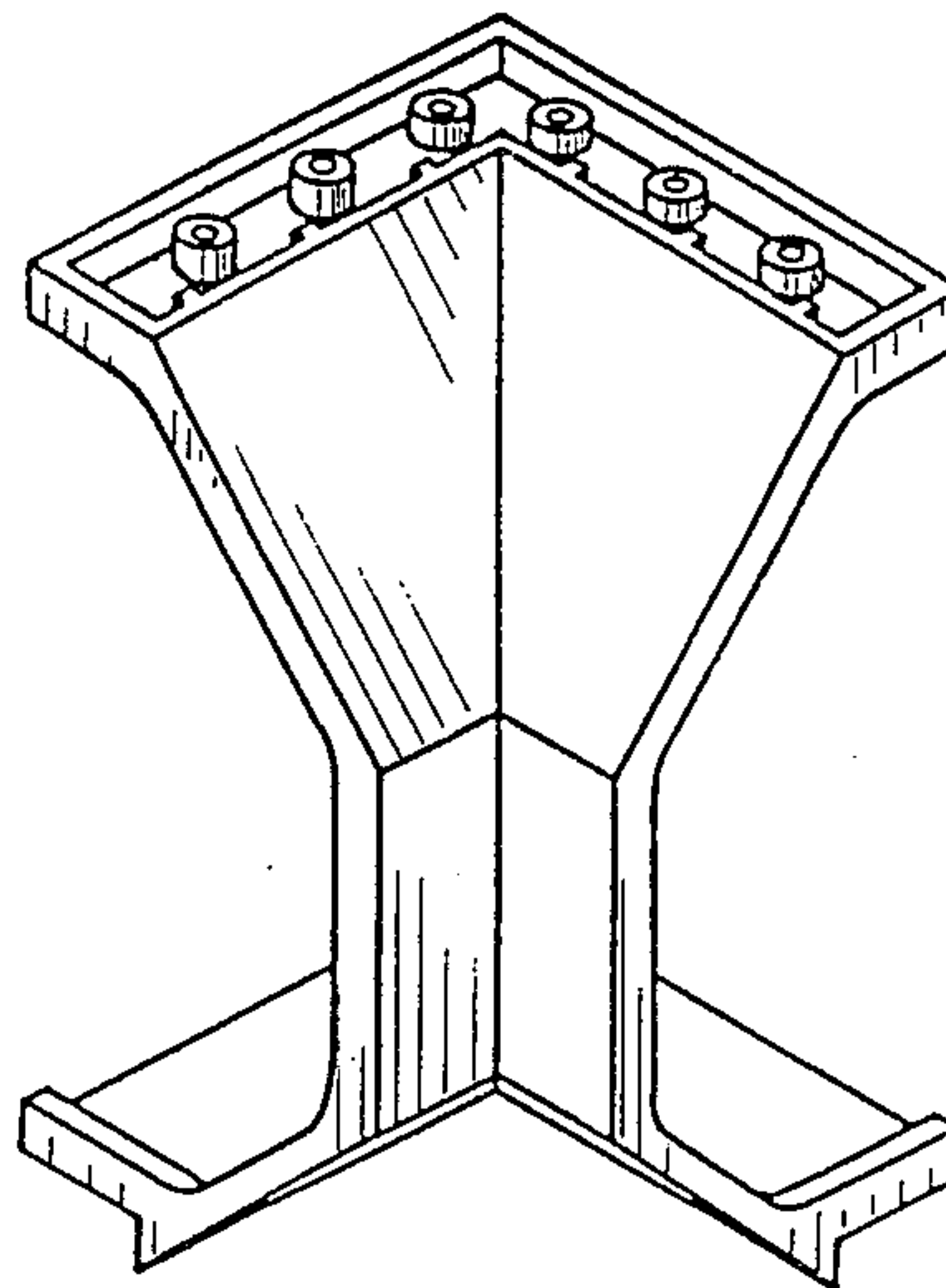
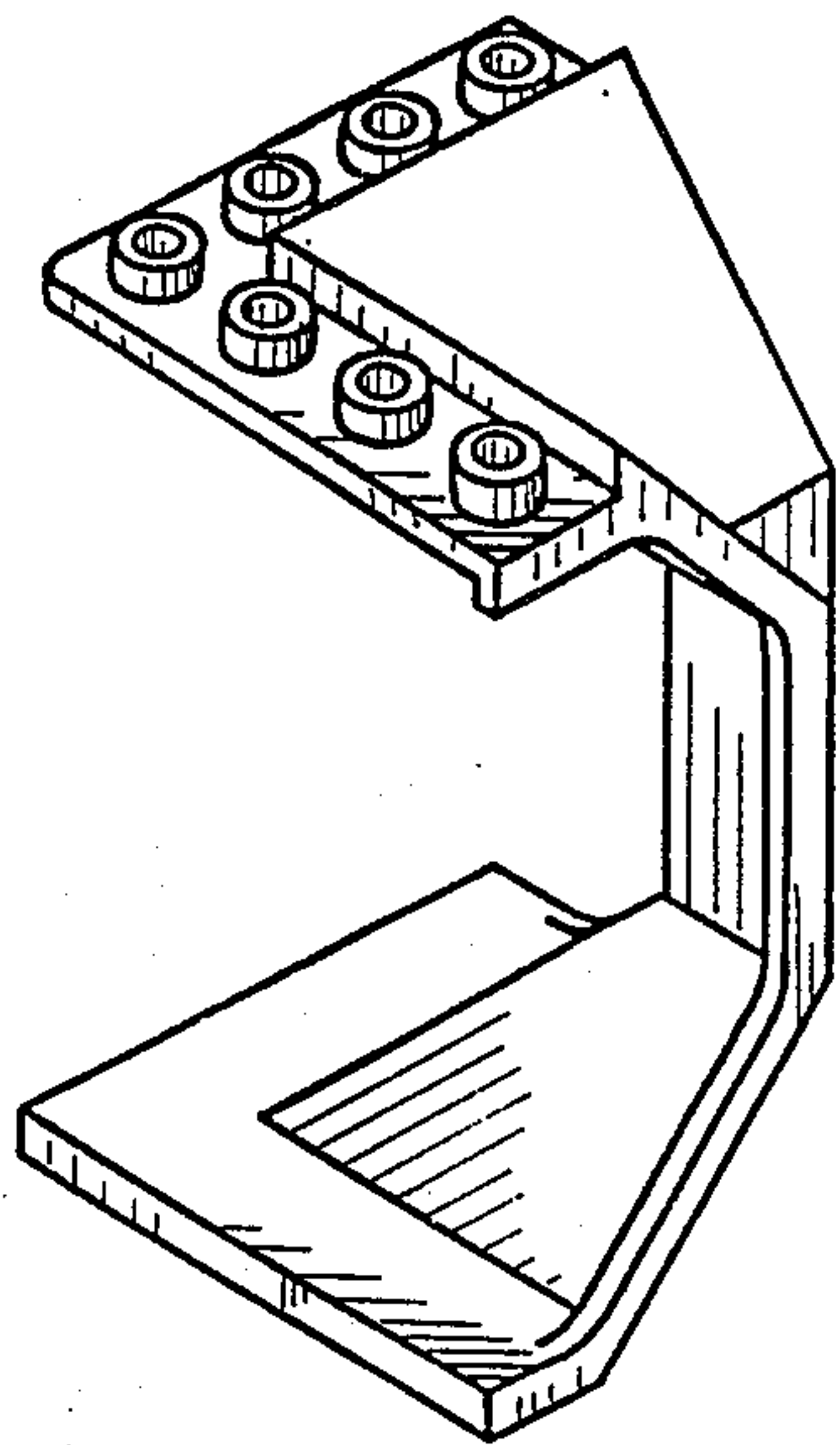
FIG. 2 is a bottom perspective view thereof,

FIG. 3 is a side and rear elevational view thereof;

FIG. 4 is a front and side elevational view thereof;

FIG. 5 is a top plan view thereof, and

FIG. 6 is a bottom plan view thereof.



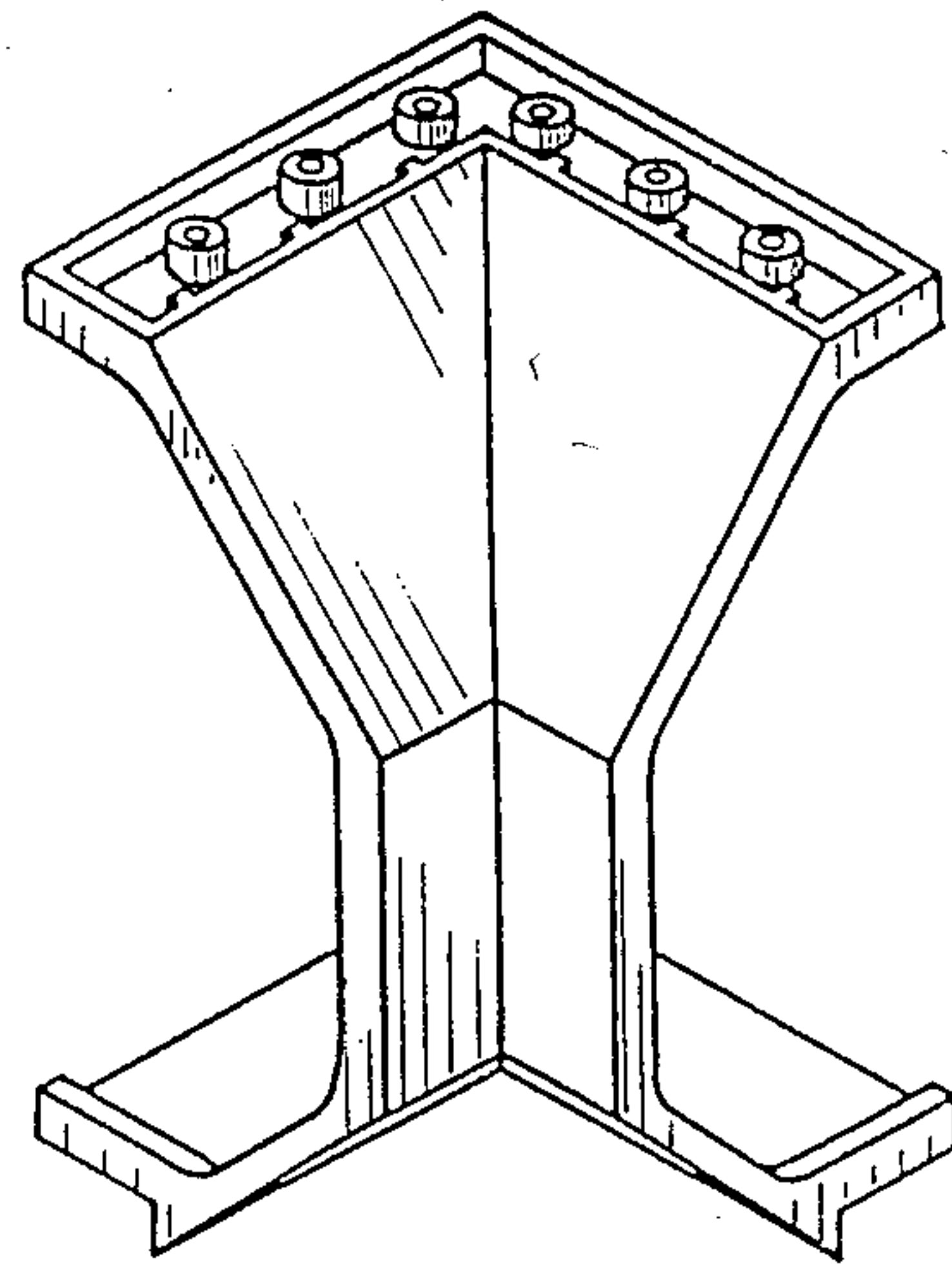
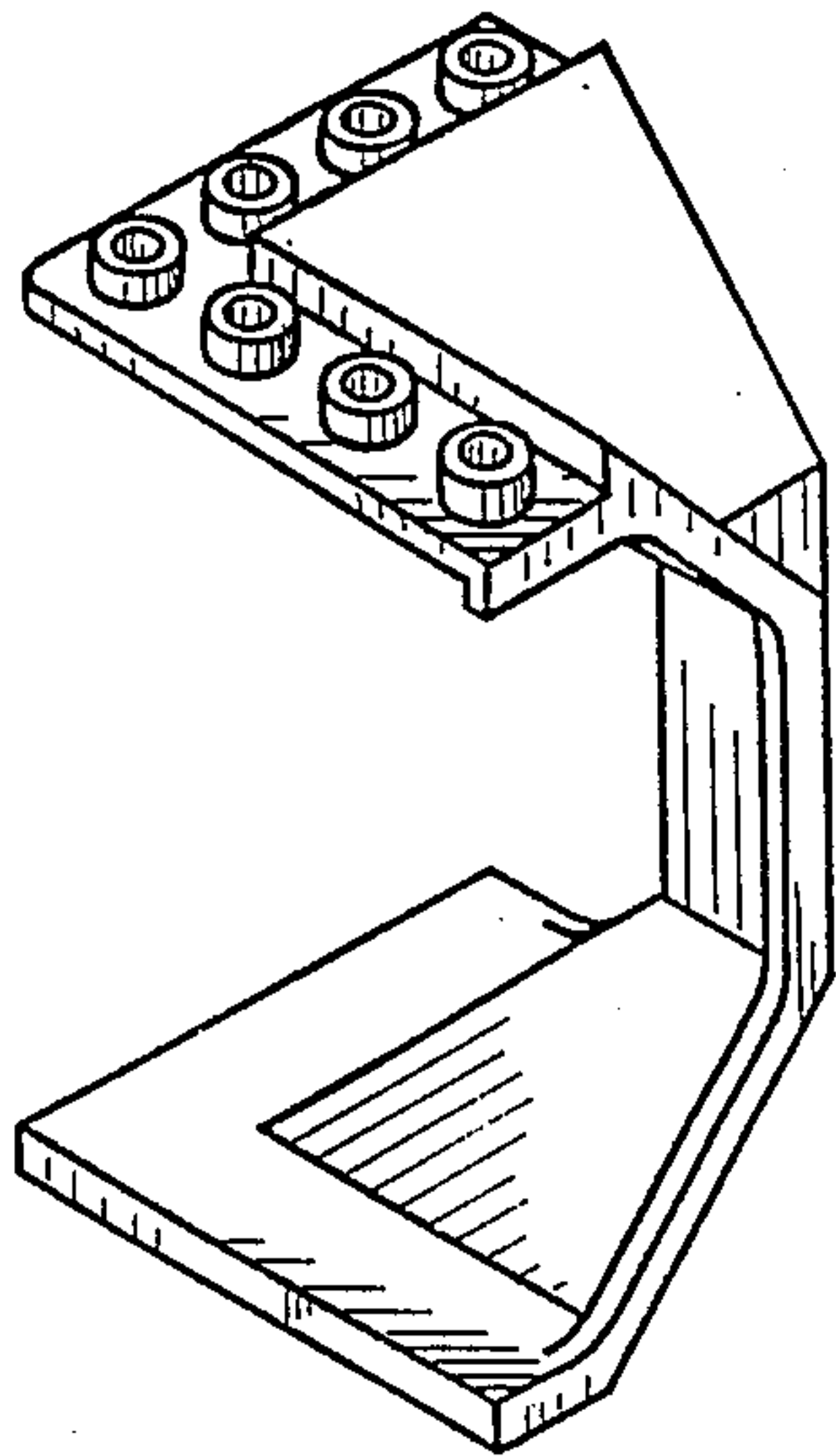
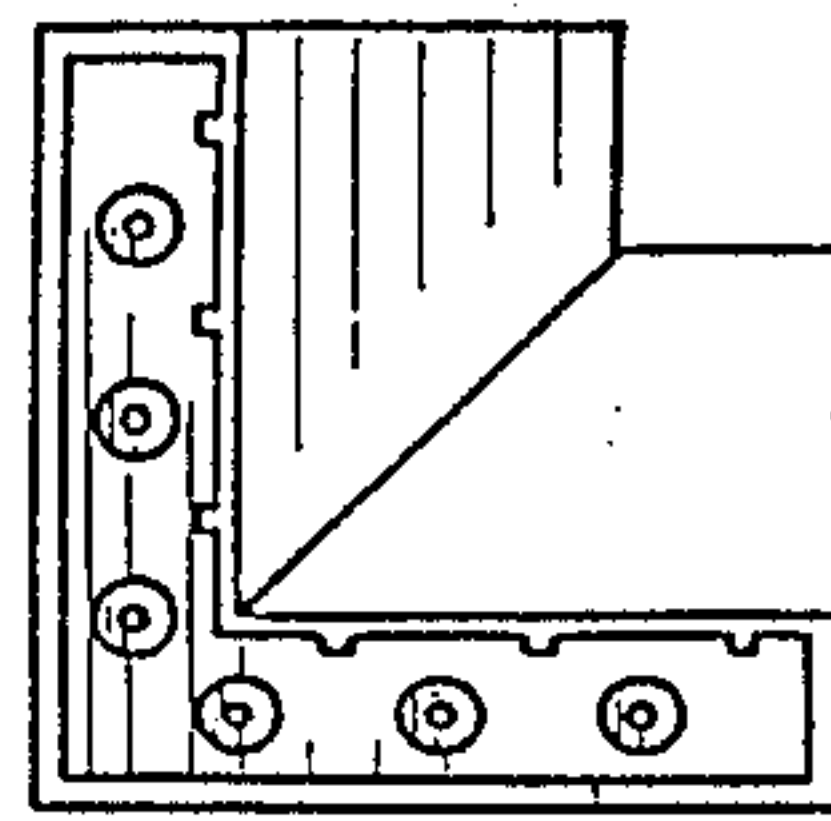
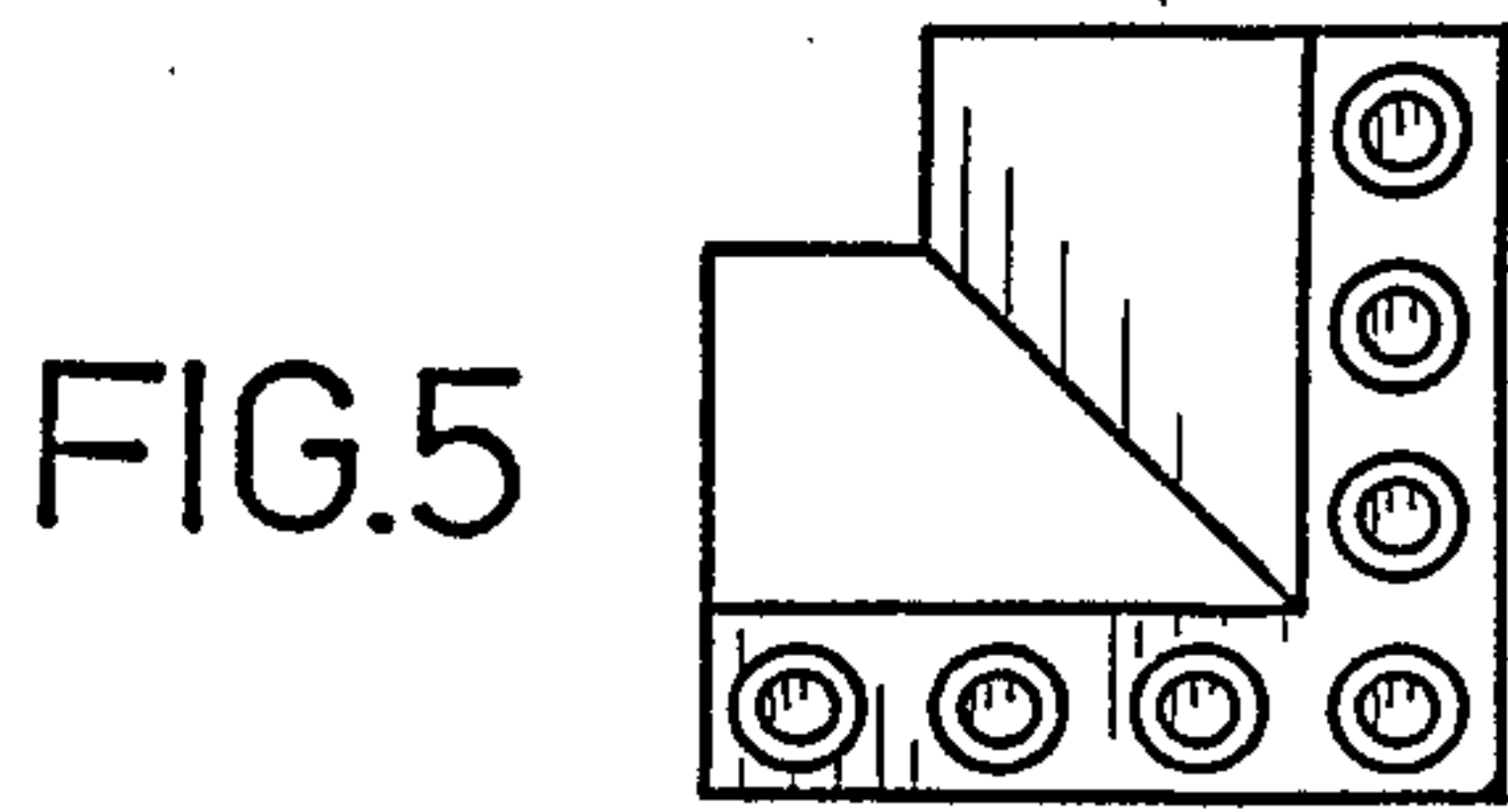
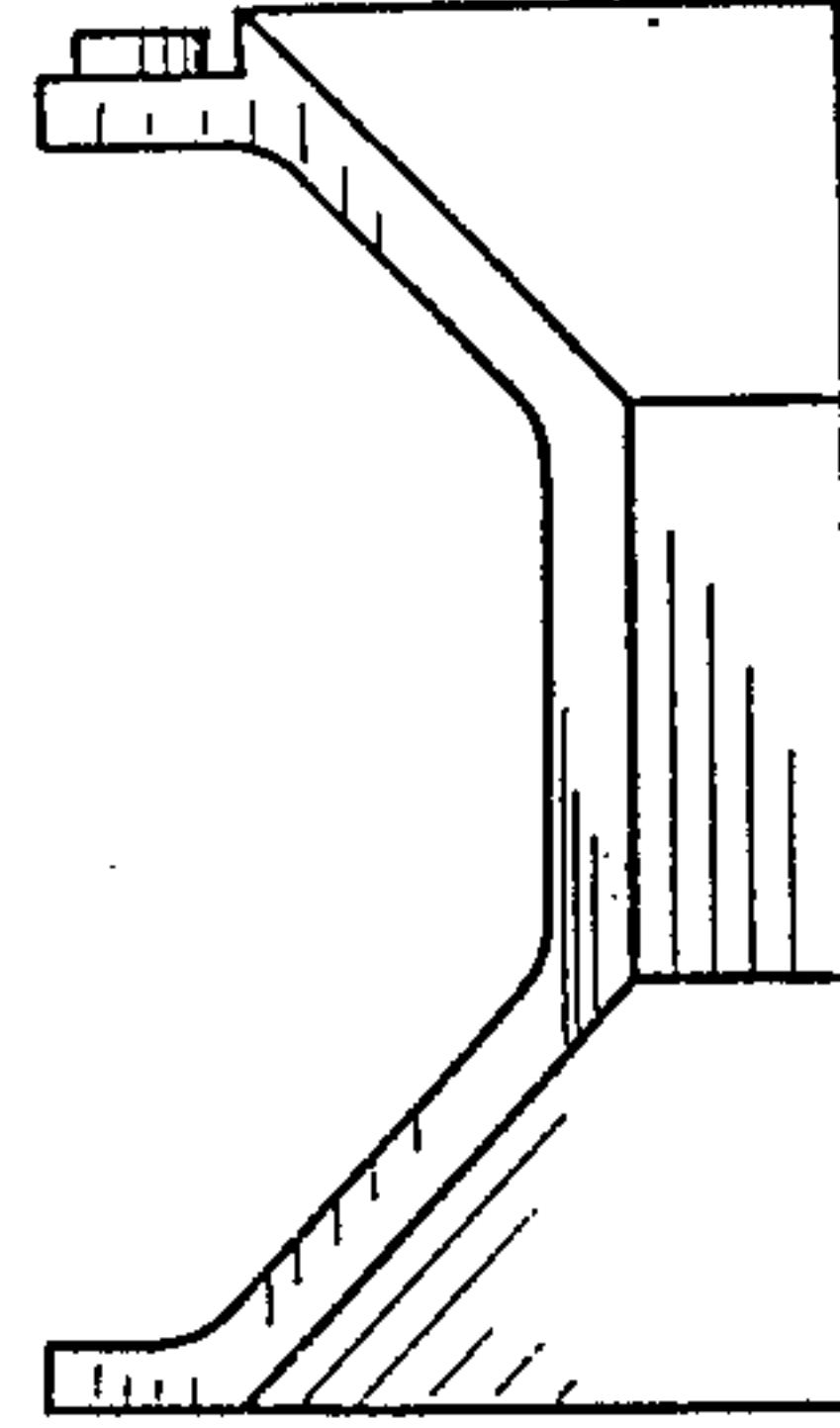
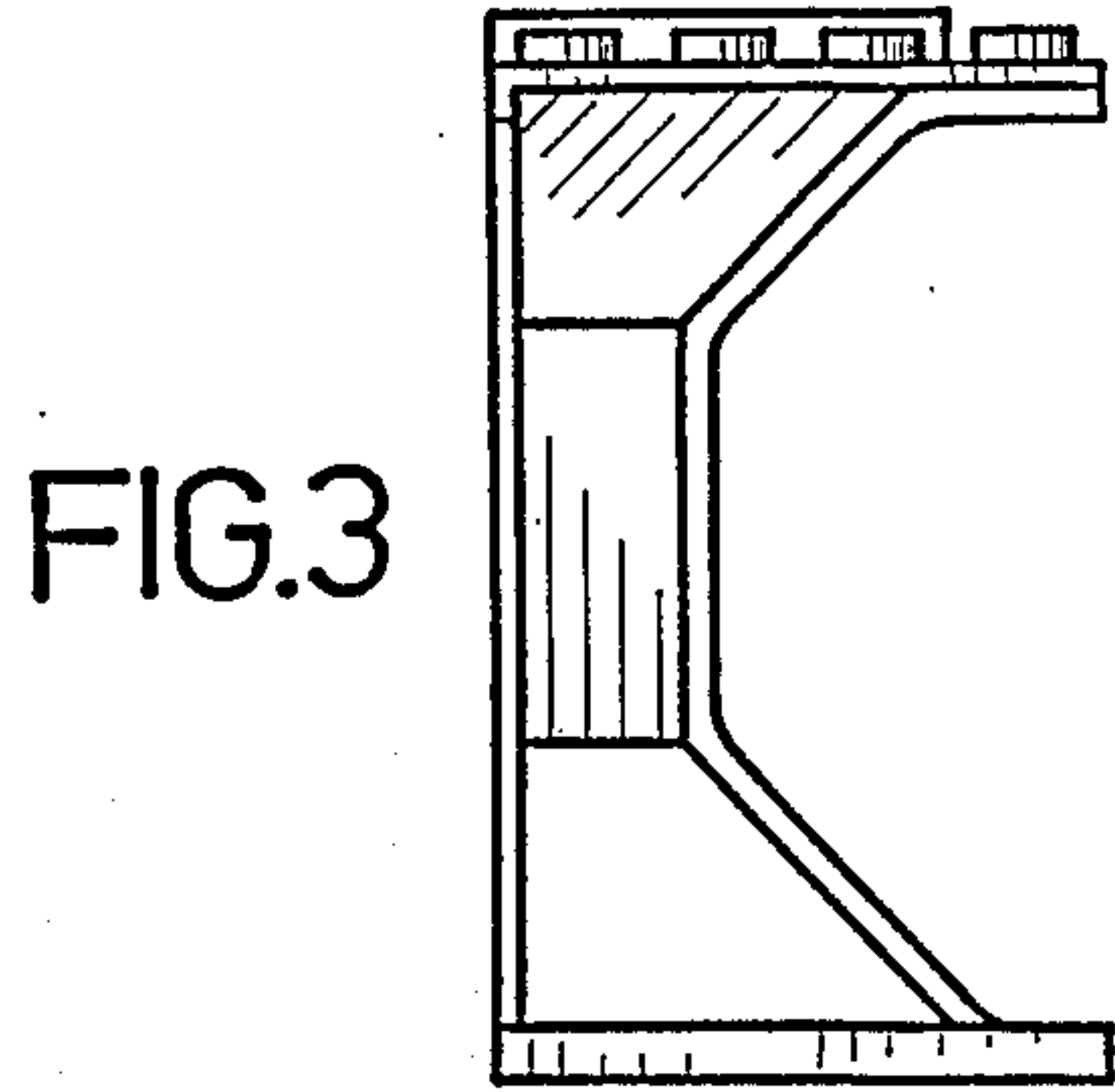


FIG.1

FIG.2