

[54] **PNEUMATIC DICE AGITATOR**

[76] **Inventor: Mario Restaino, 1871 S/W 83rd Ter.,  
Ft. Lauderdale, Fla. 33324**

[\*\*] **Term: 14 Years**

[21] **Appl. No.: 918,874**

[22] **Filed: Oct. 14, 1986**

[52] **U.S. Cl. .... D21/41**

[58] **Field of Search .... D21/41; 273/145 C, 145 CA,  
273/145 R**

[56] **References Cited**

**U.S. PATENT DOCUMENTS**

2,183,269 12/1939 Simonson ..... 273/145 C

**FOREIGN PATENT DOCUMENTS**

607054 6/1934 Fed. Rep. of Germany ... 273/145 R

*Primary Examiner*—Melvin B. Feifer

*Assistant Examiner*—William J. Krawczewicz

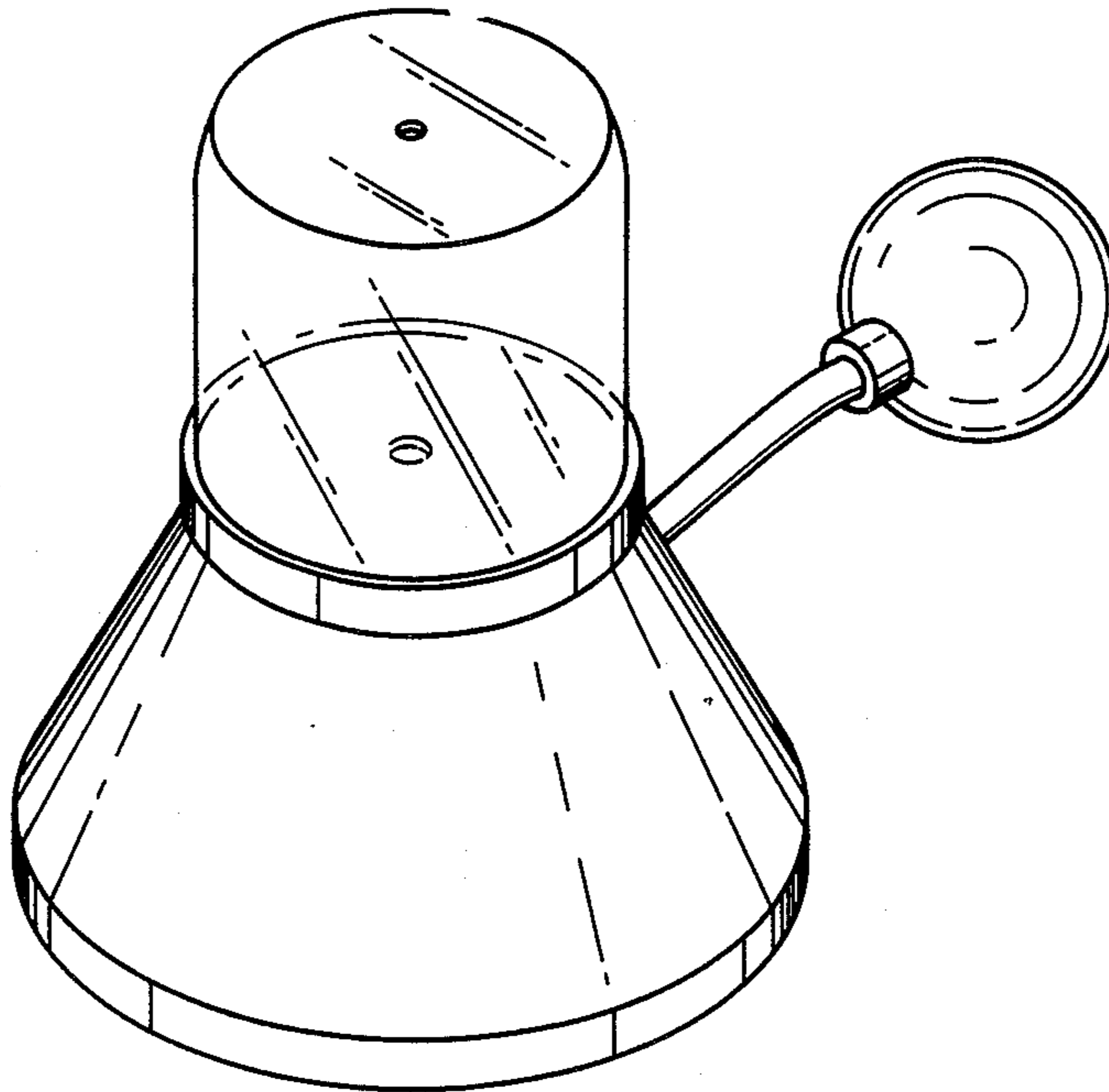
*Attorney, Agent, or Firm*—Terry M. Gernstein

[57] **CLAIM**

The ornamental design for a pneumatic dice agitator, as shown and described.

**DESCRIPTION**

FIG. 1 is a perspective view of a pneumatic dice agitator showing my new design; FIG. 2 is as top plan view thereof; and FIG. 3 is a typical side elevation view thereof. The bottom is unornamented.



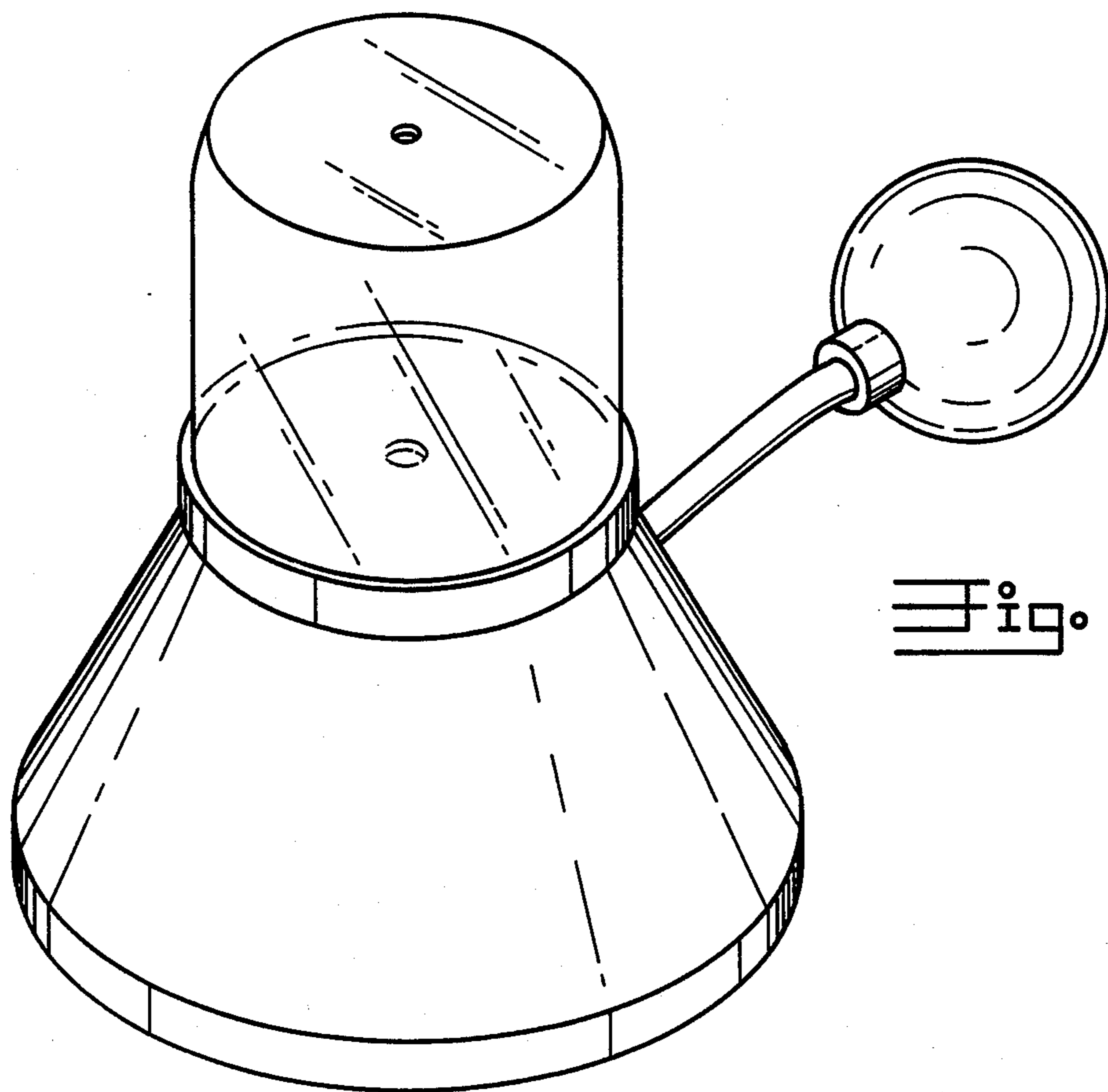


Fig. 1

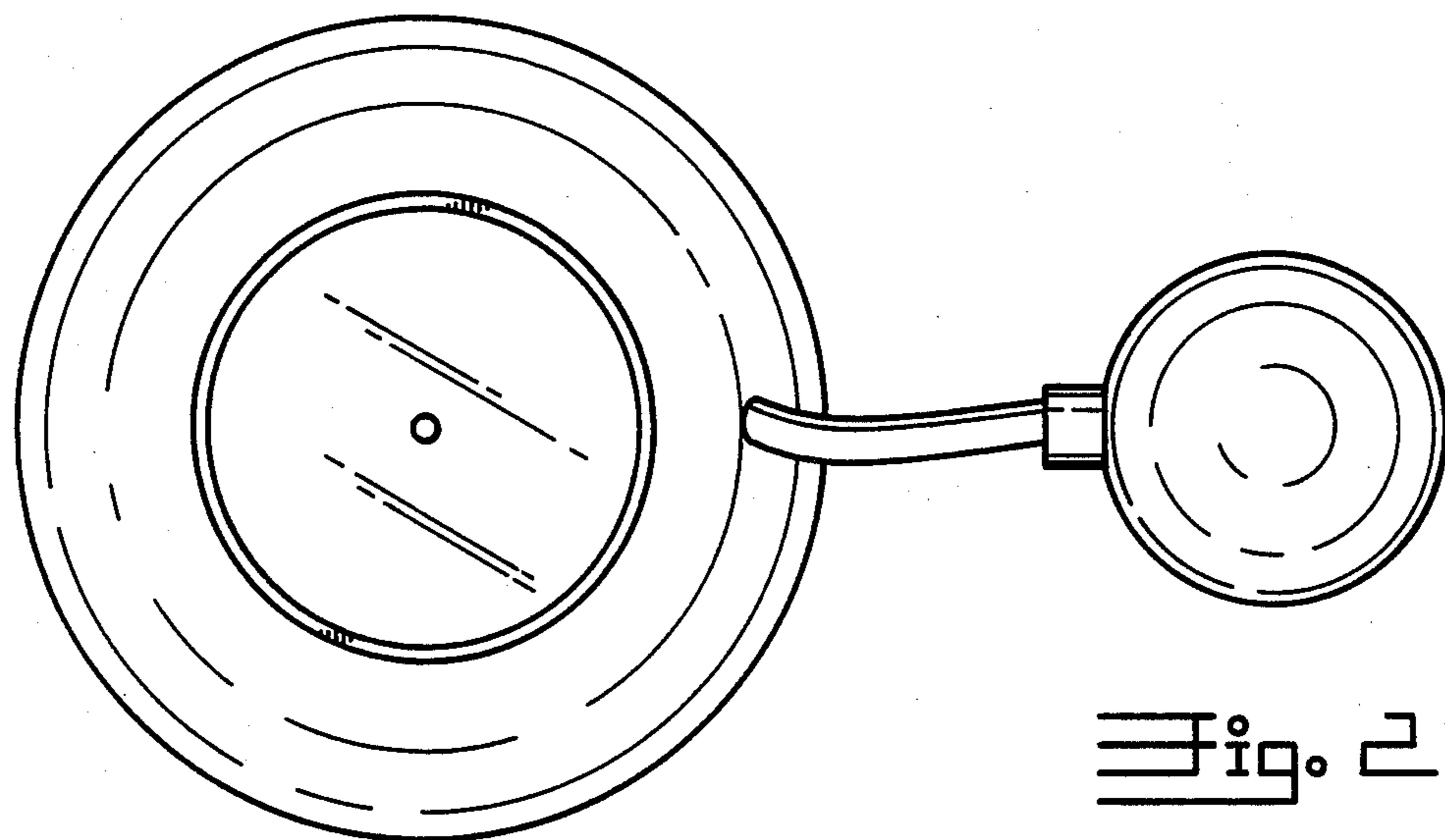


Fig. 2

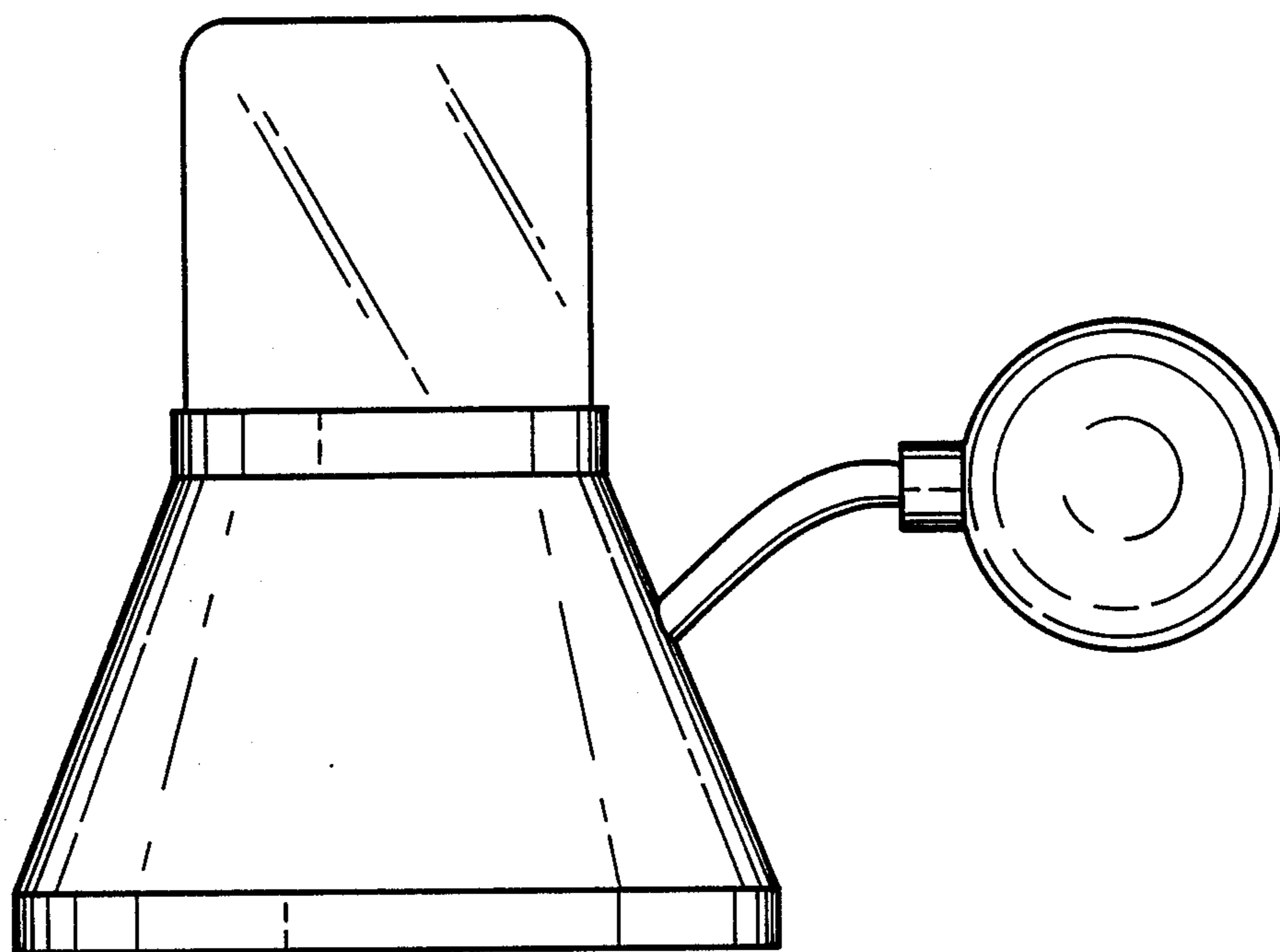


Fig. 3