

- [54] **TELEPHONE INDEX UNIT**
- [75] **Inventor: May Fung, Hong Kong, Hong Kong**
- [73] **Assignee: ETNA Products Co. Inc., New York, N.Y.**
- [**] **Term: 14 Years**
- [21] **Appl. No.: 917,822**
- [22] **Filed: Oct. 10, 1986**
- [52] **U.S. Cl. D19/76; D19/65; D19/75**
- [58] **Field of Search D19/76; 40/371, 374, 40/375, 377, 378, 384, 393; D21/59; 434/308**

- [56] **References Cited**
- U.S. PATENT DOCUMENTS**
- D. 250,413 11/1978 Halm D19/76
- D. 252,465 7/1979 Halm D19/76
- D. 260,534 9/1981 Halm D19/76
- D. 272,077 1/1984 Halm D19/76
- D. 298,558 11/1988 Wickstead D21/59
- 4,190,967 3/1980 Ruegg et al. 434/308

Primary Examiner—Bruce W. Dunkins
Assistant Examiner—Martha Thompson
Attorney, Agent, or Firm—Ostrolenk, Faber, Gerb & Soffen

[57] **CLAIM**

The ornamental design for a telephone index unit, as shown and described.

DESCRIPTION

FIG. 1 is a left side perspective view of a telephone index unit showing my new design;
 FIG. 2 is a right side elevational view;
 FIG. 3 is a top plan view on an enlarged scale;
 FIG. 4 is a front elevational view with respect to FIG. 3;
 FIG. 5 is a rear elevational view with respect to FIG. 3;
 FIG. 6 is a bottom plan view with respect to FIG. 3;
 FIG. 7 is a left side perspective view the top member in a raised position;
 FIG. 8 is a right side elevational with respect to FIG. 7; and
 FIG. 9 is a top plan view with respect to FIG. 7 on an enlarged scale.

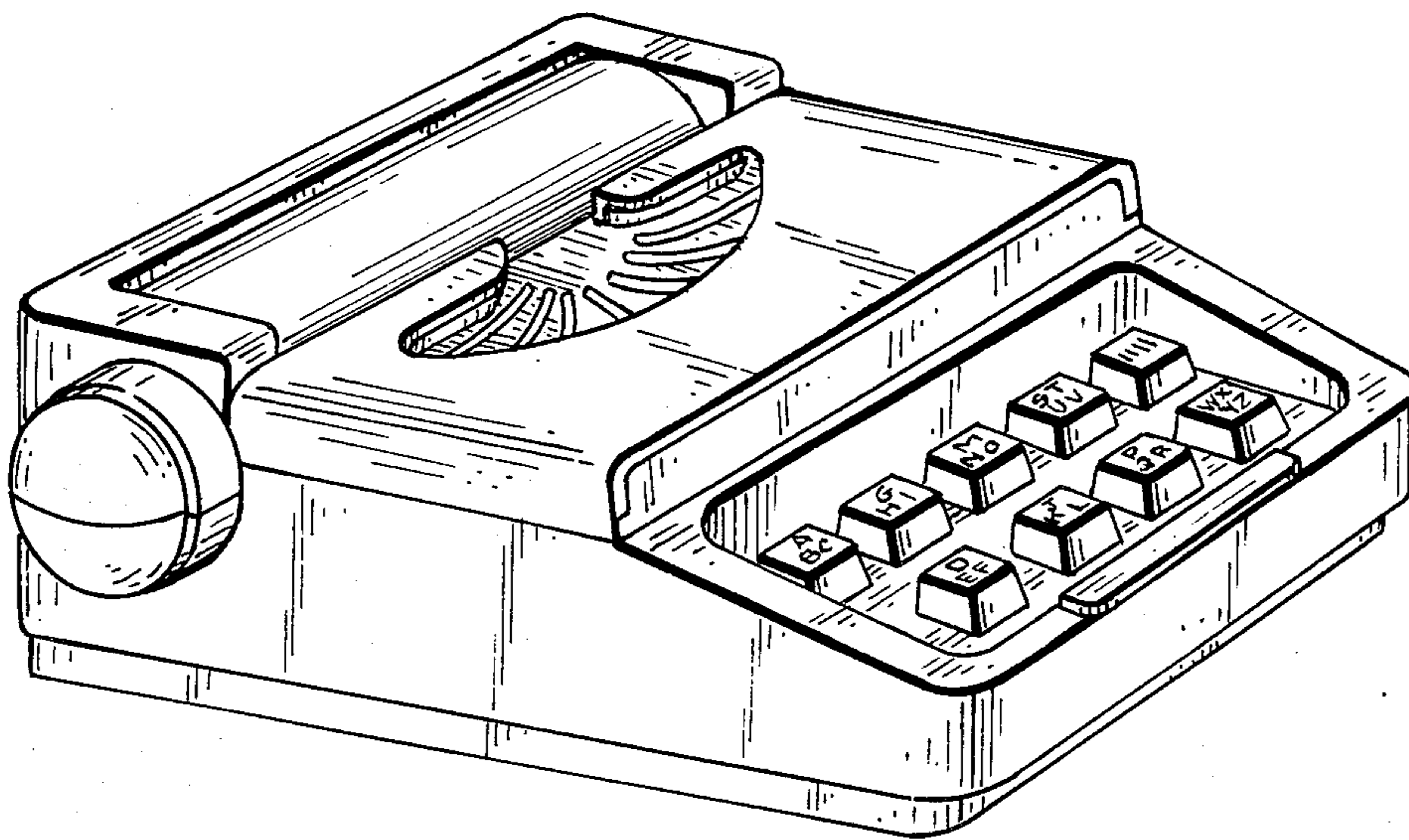


FIG. 1.

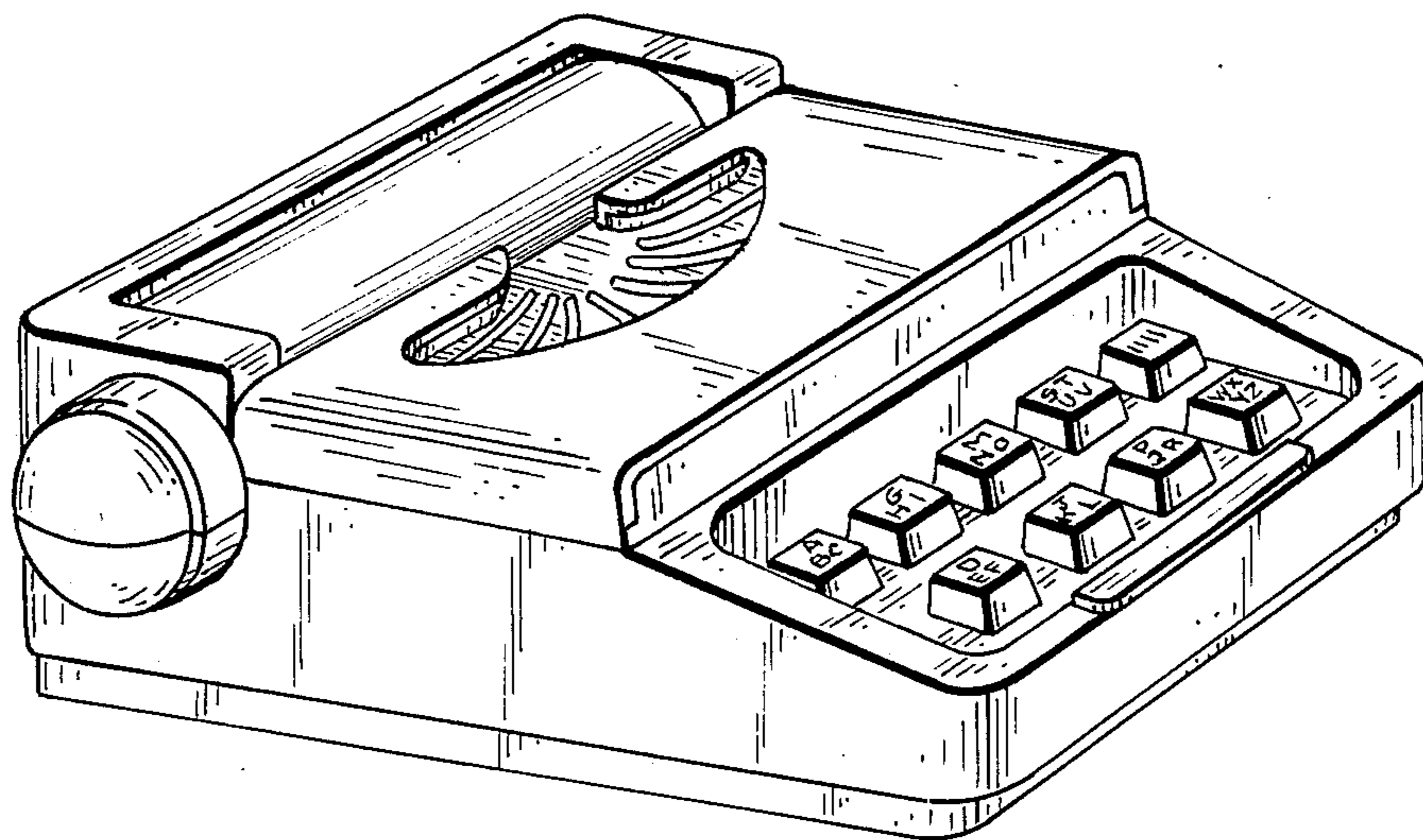


FIG. 2.

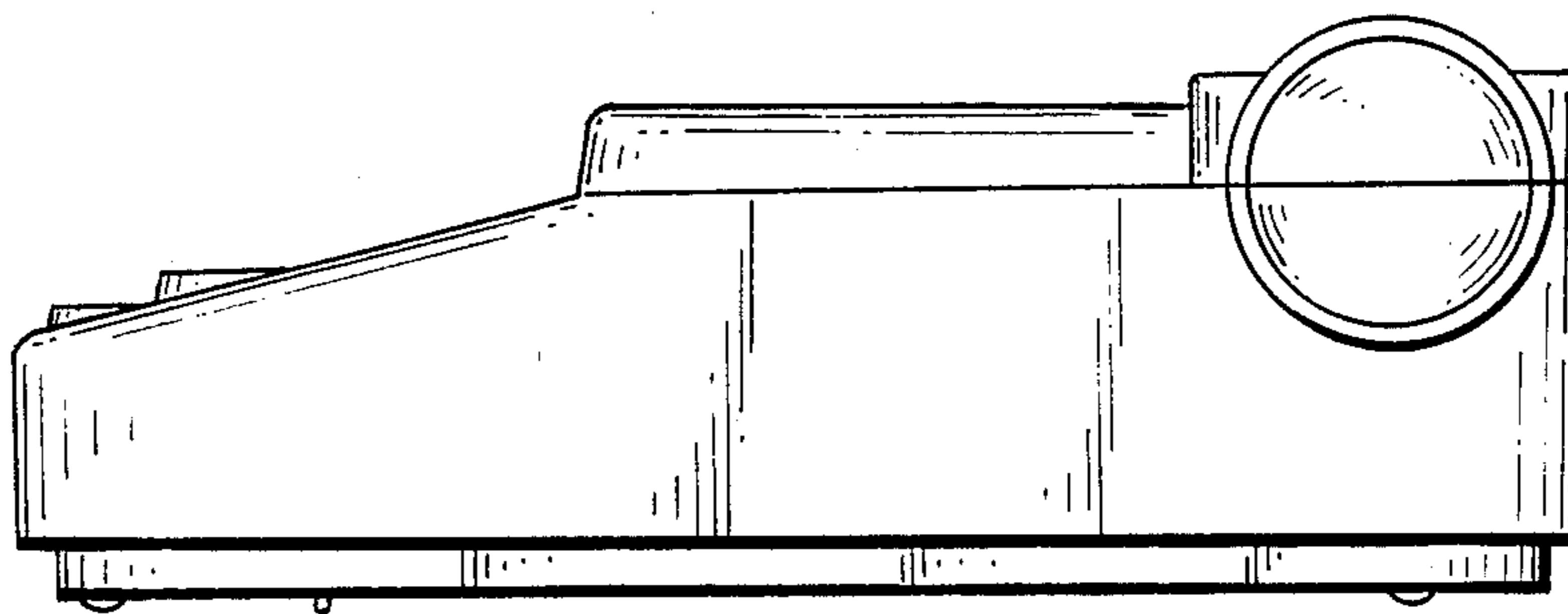


FIG. 3.

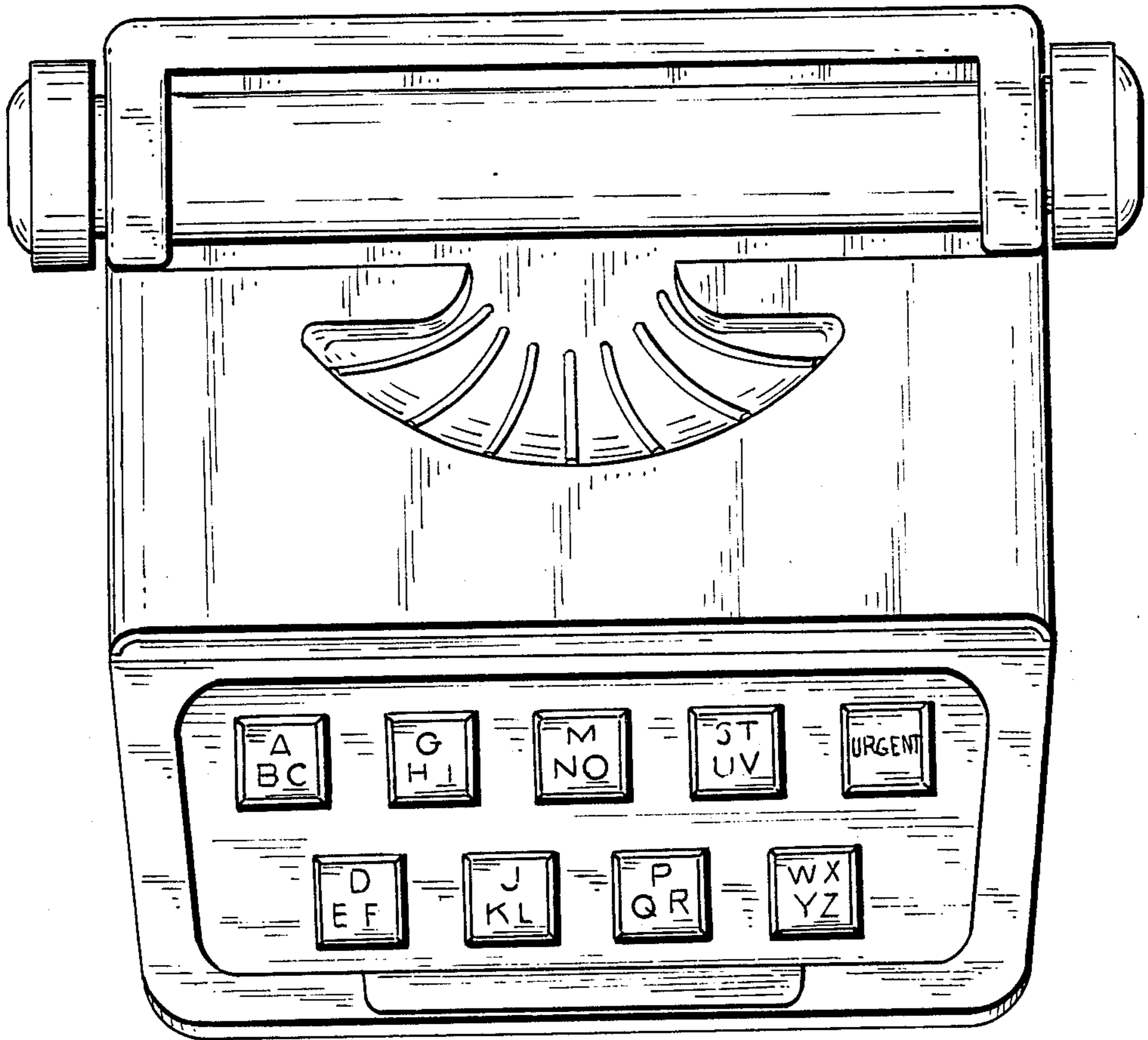


FIG. 4.

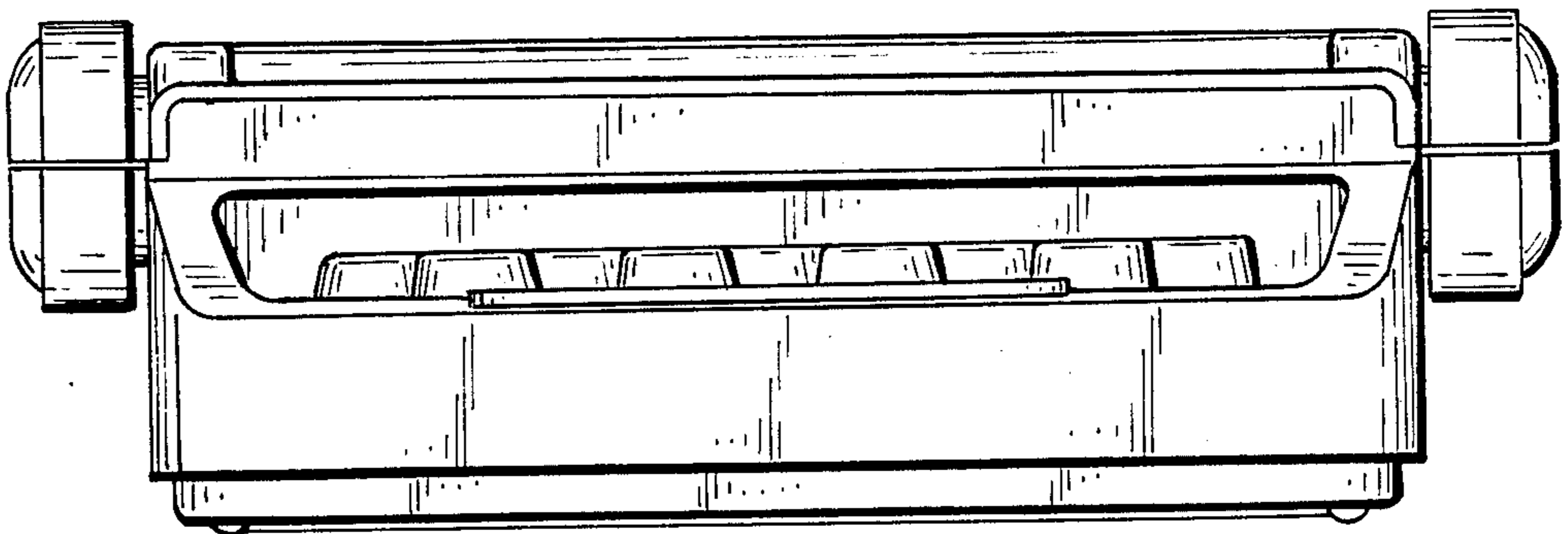


FIG. 5.

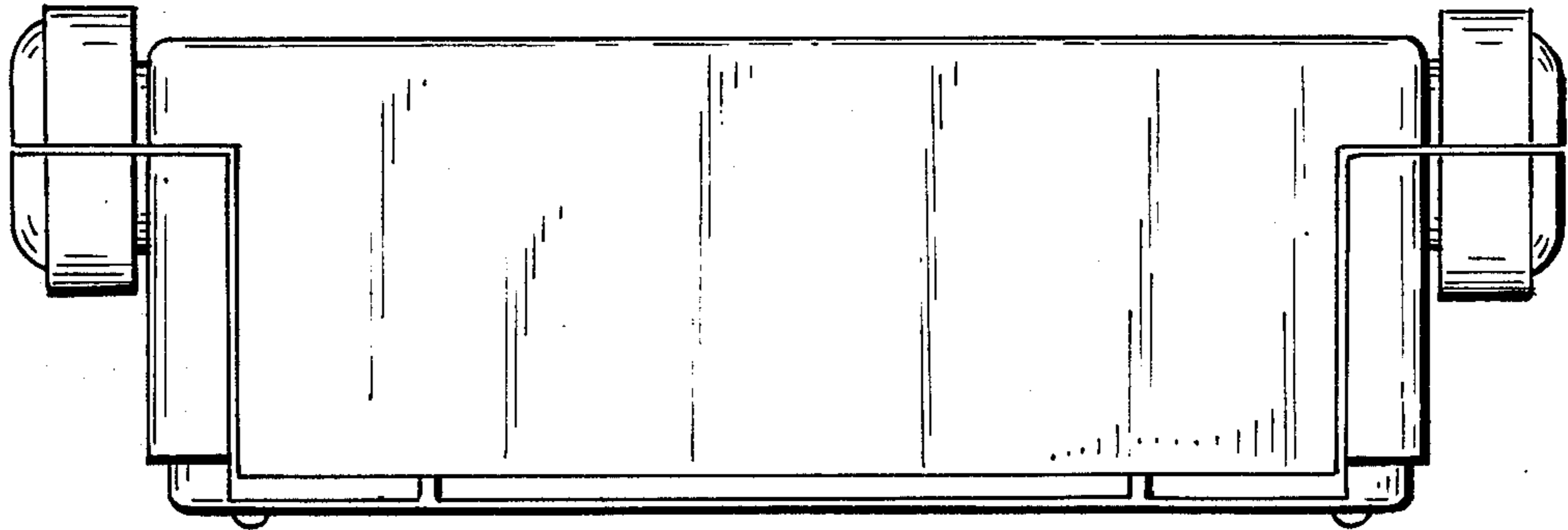


FIG. 6.

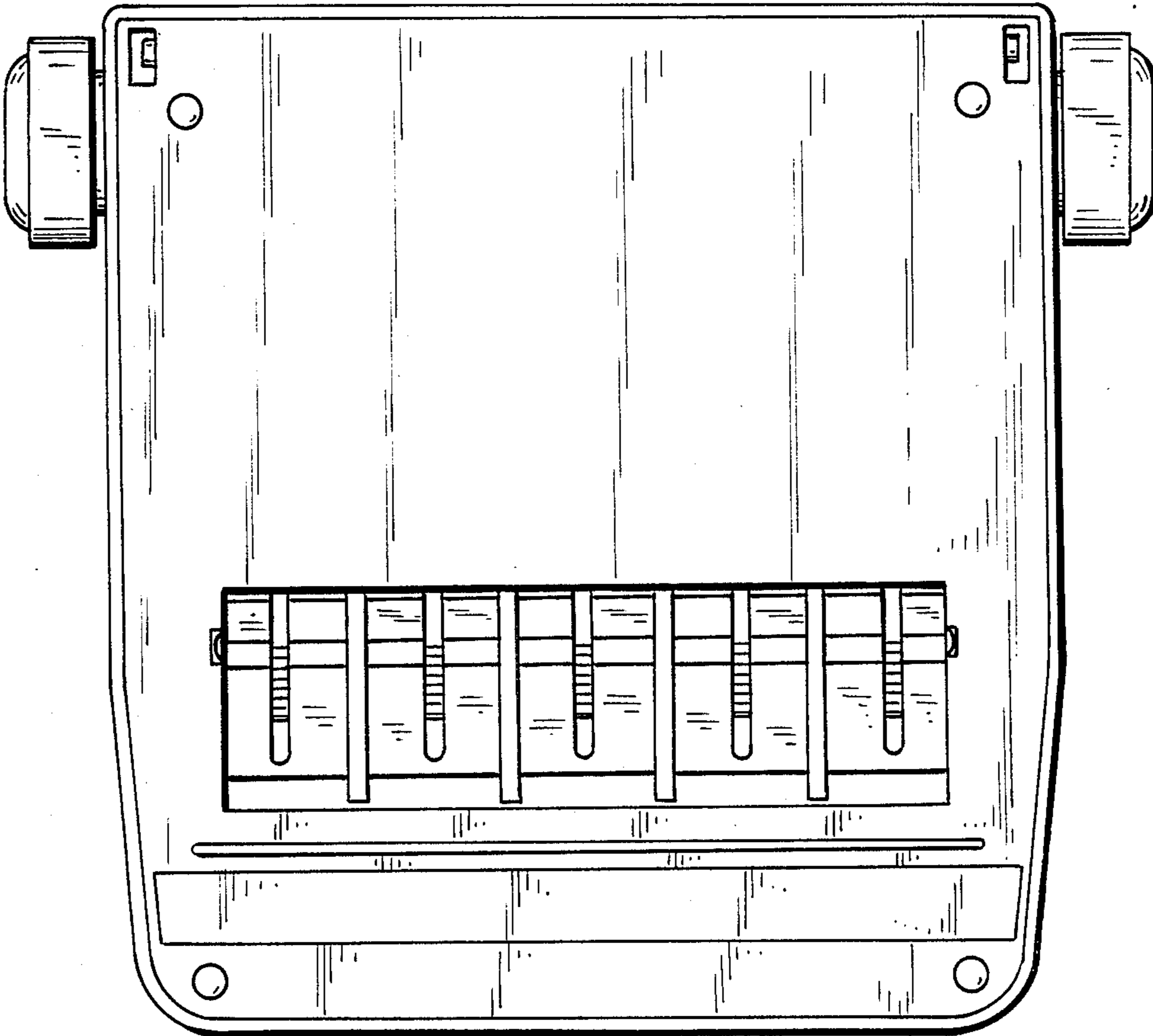


FIG. 7.

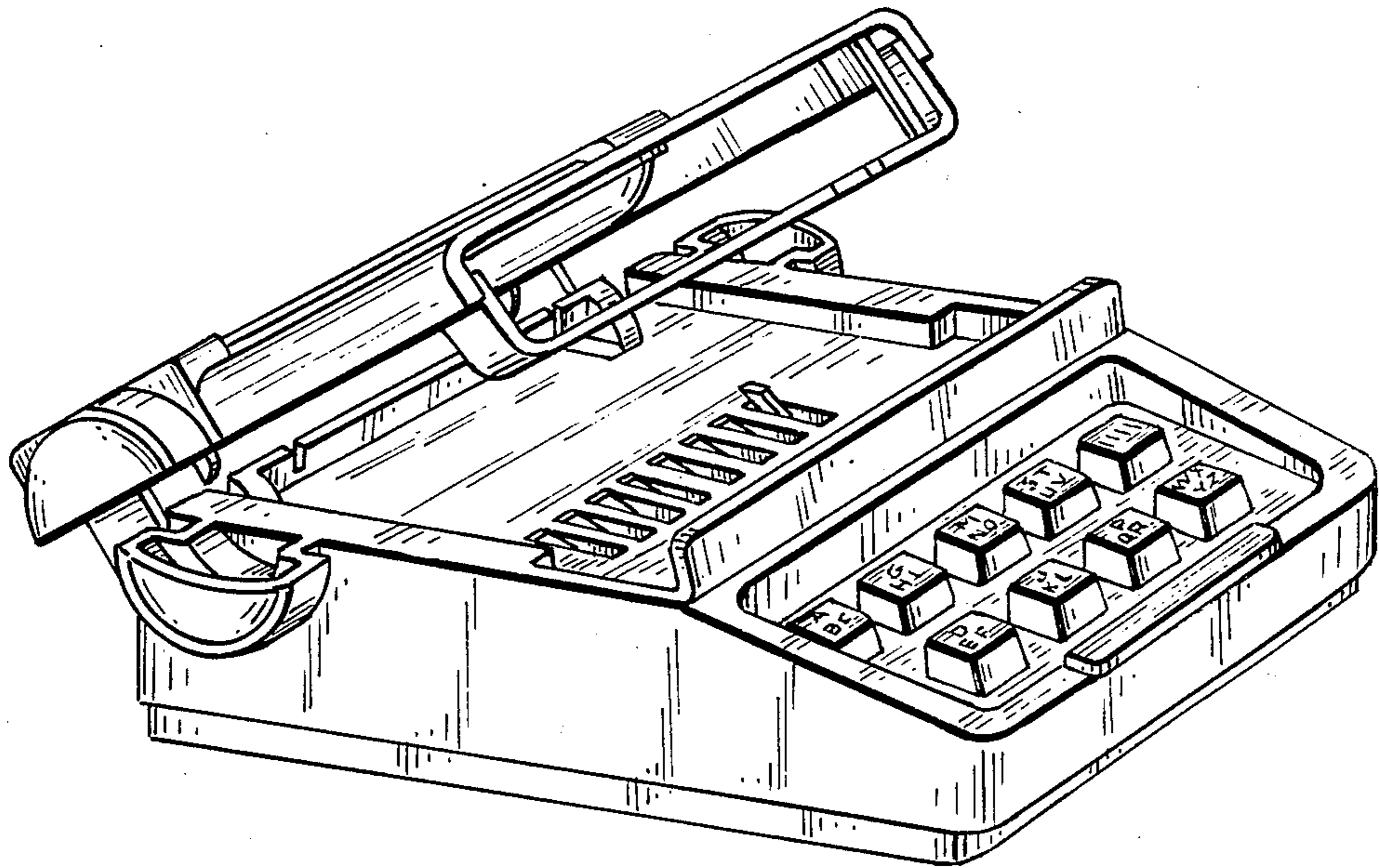


FIG. 8.

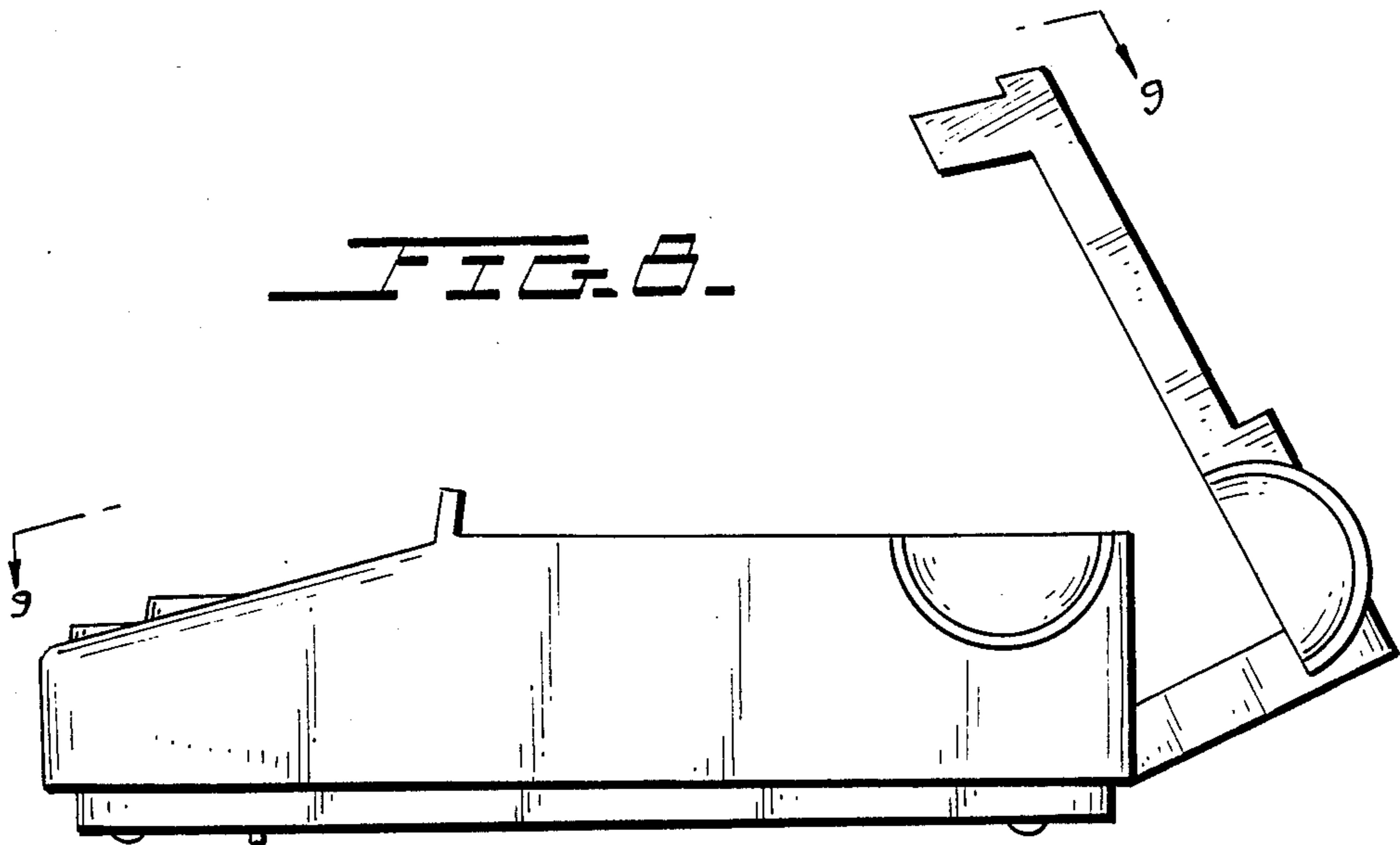


FIG. 9.

