

United States Patent [19]

Foran et al.

[11] Patent Number: **Des. 304,345**

[45] Date of Patent: **** Oct. 31, 1989**

[54] **UTILITY FILE**

[75] Inventors: **Kenneth C. Foran, Wooster; Thomas J. David, Worthington, both of Ohio**

[73] Assignee: **Rubbermaid Incorporated, Wooster, Ohio**

[**] Term: **14 Years**

[21] Appl. No.: **894,241**

[22] Filed: **Aug. 7, 1986**

[52] U.S. Cl. **D19/75; D19/86**

[58] Field of Search **D19/75, 76, 86; D3/30.1, 35, 78; D9/420; 312/183, 184; 211/11; 206/387, 425, 444, 449, 555**

[56] **References Cited**

U.S. PATENT DOCUMENTS

D. 255,805 7/1980 Hampshire et al. D19/76

D. 259,496 6/1981 Hampshire et al. D19/76
D. 283,137 3/1986 Hamar D3/30.1
D. 287,425 12/1986 Kirchner D3/35
D. 289,582 5/1987 Brush, Jr. et al. D3/30.1

Primary Examiner—Bruce W. Dunkins
Assistant Examiner—Martha Thompson
Attorney, Agent, or Firm—Richard B. O'Planick

[57] **CLAIM**

The ornamental design for a utility file, as shown and described.

DESCRIPTION

FIG. 1 is a front perspective view of a utility file, showing our new design.

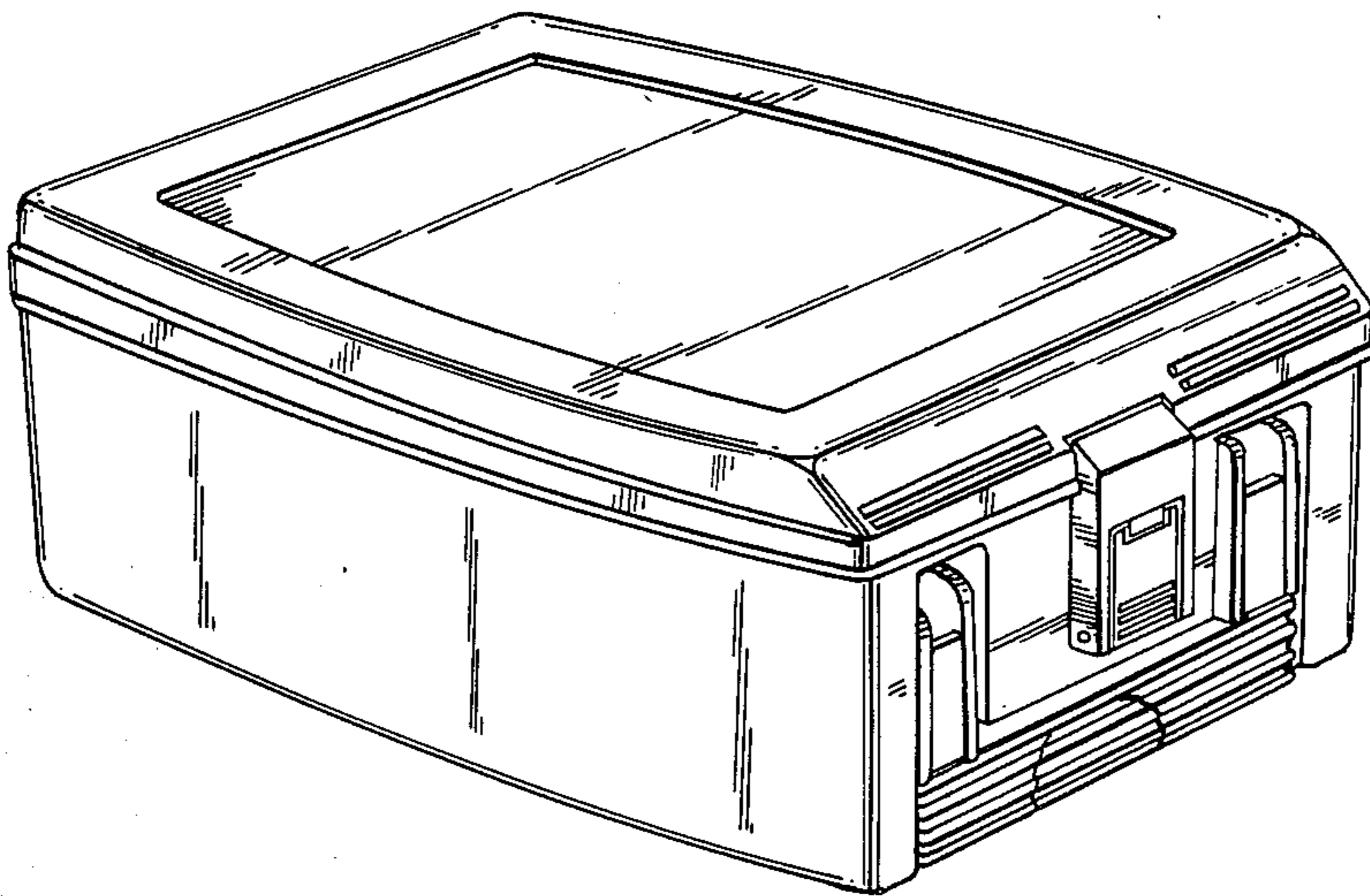
FIG. 2 is a top plan view;

FIG. 3 is a front elevational view;

FIG. 4 is a side elevational view;

FIG. 5 is a rear elevational view; and

FIG. 6 is a bottom plan view thereof.



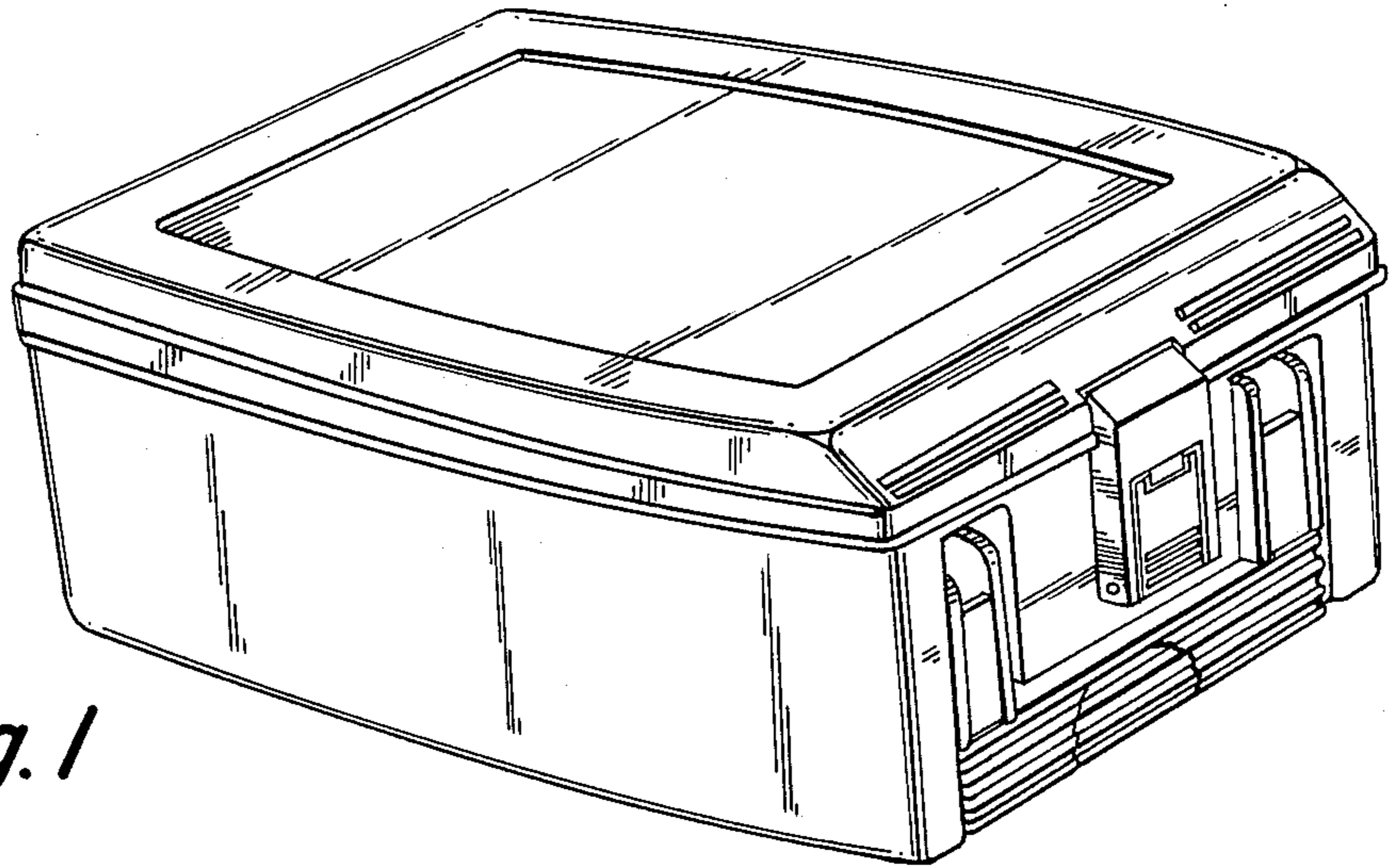


Fig. 1

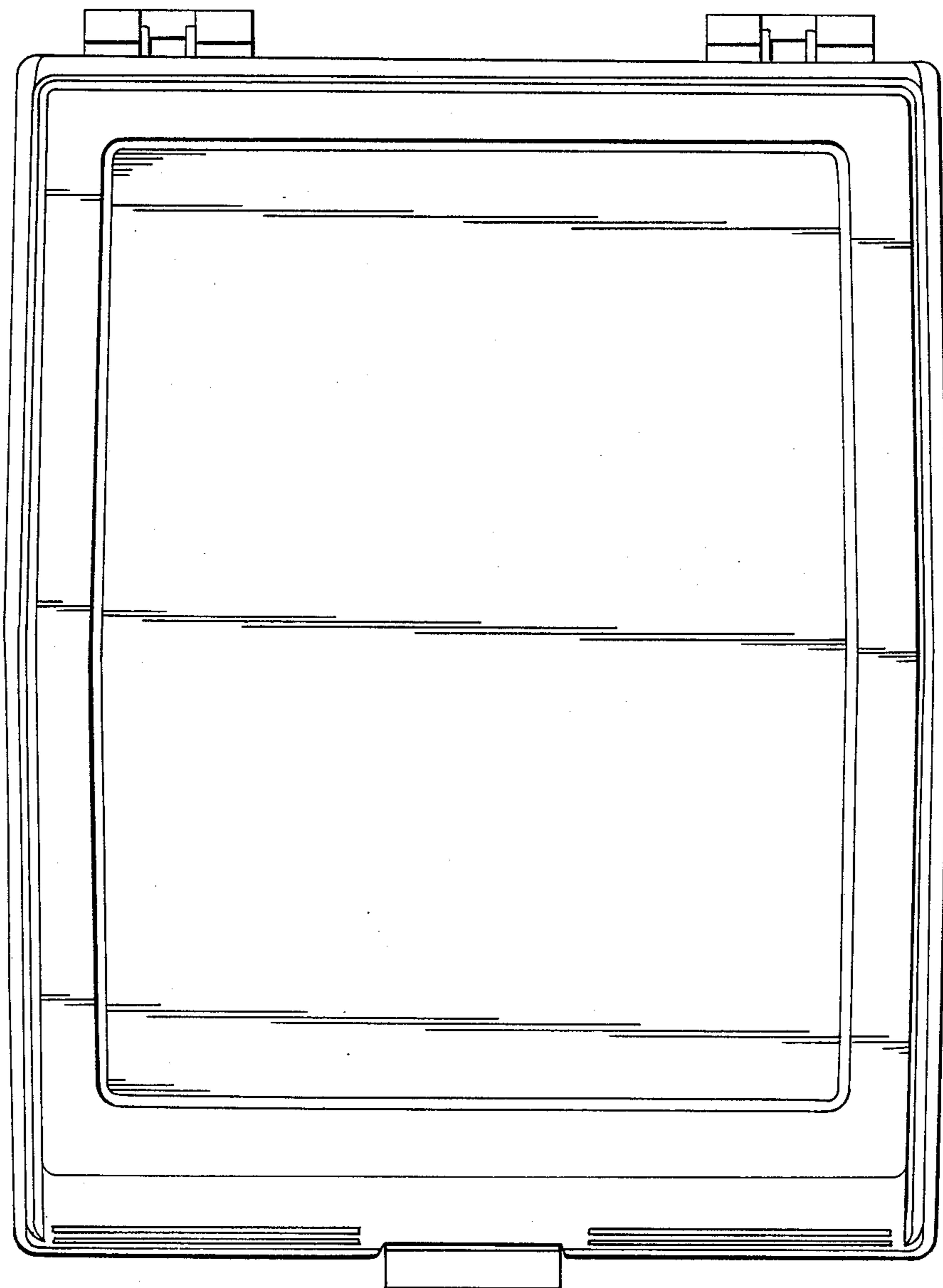


Fig. 2

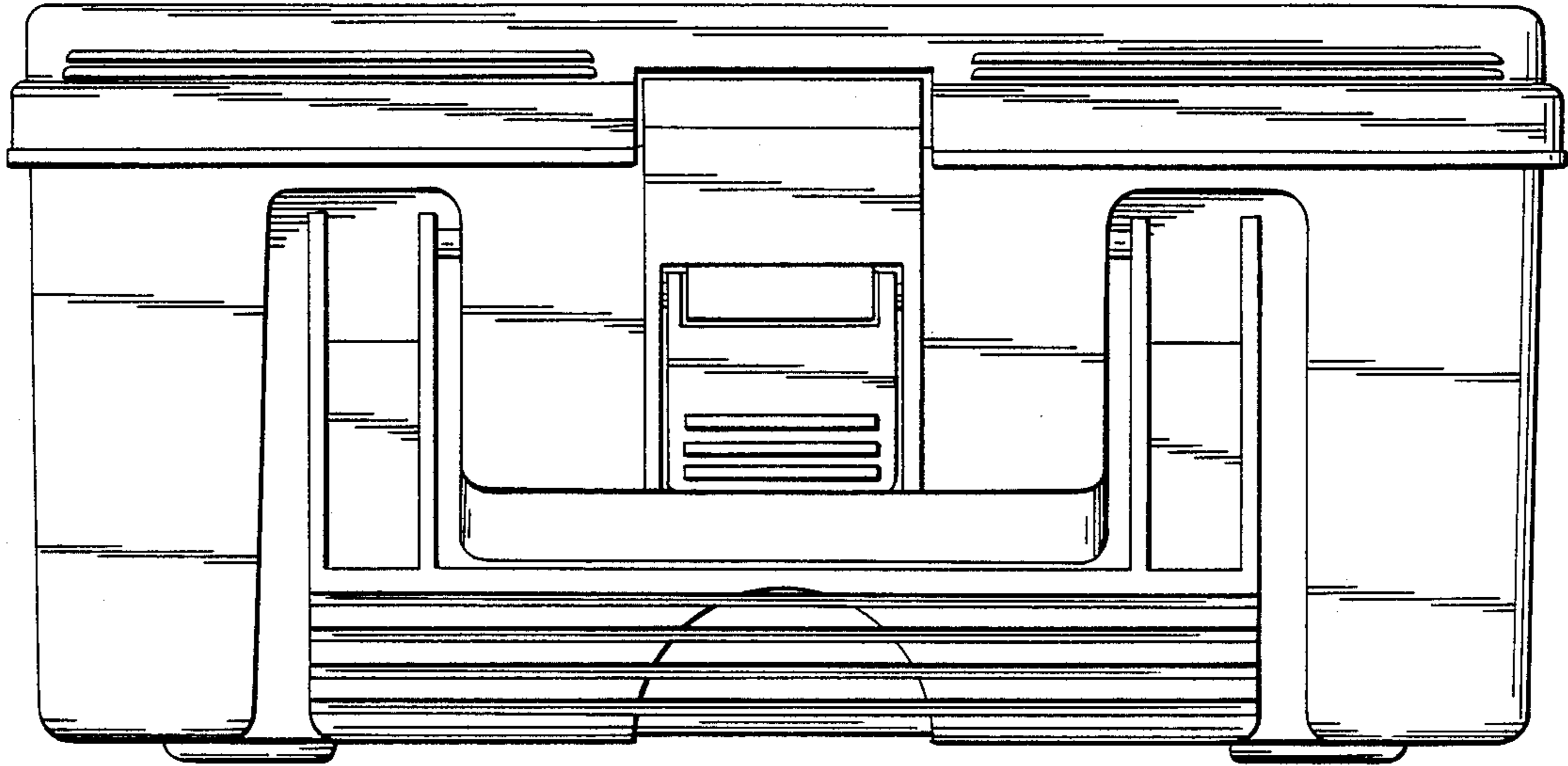


Fig. 3

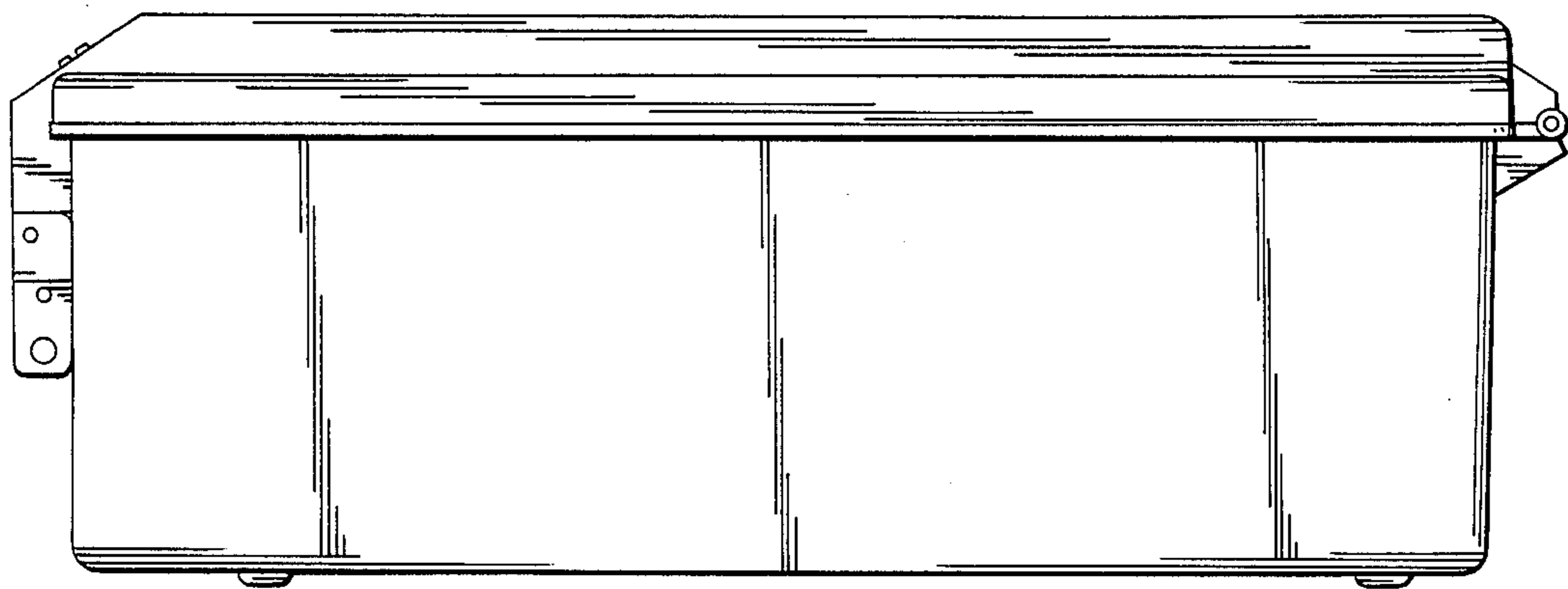


Fig. 4

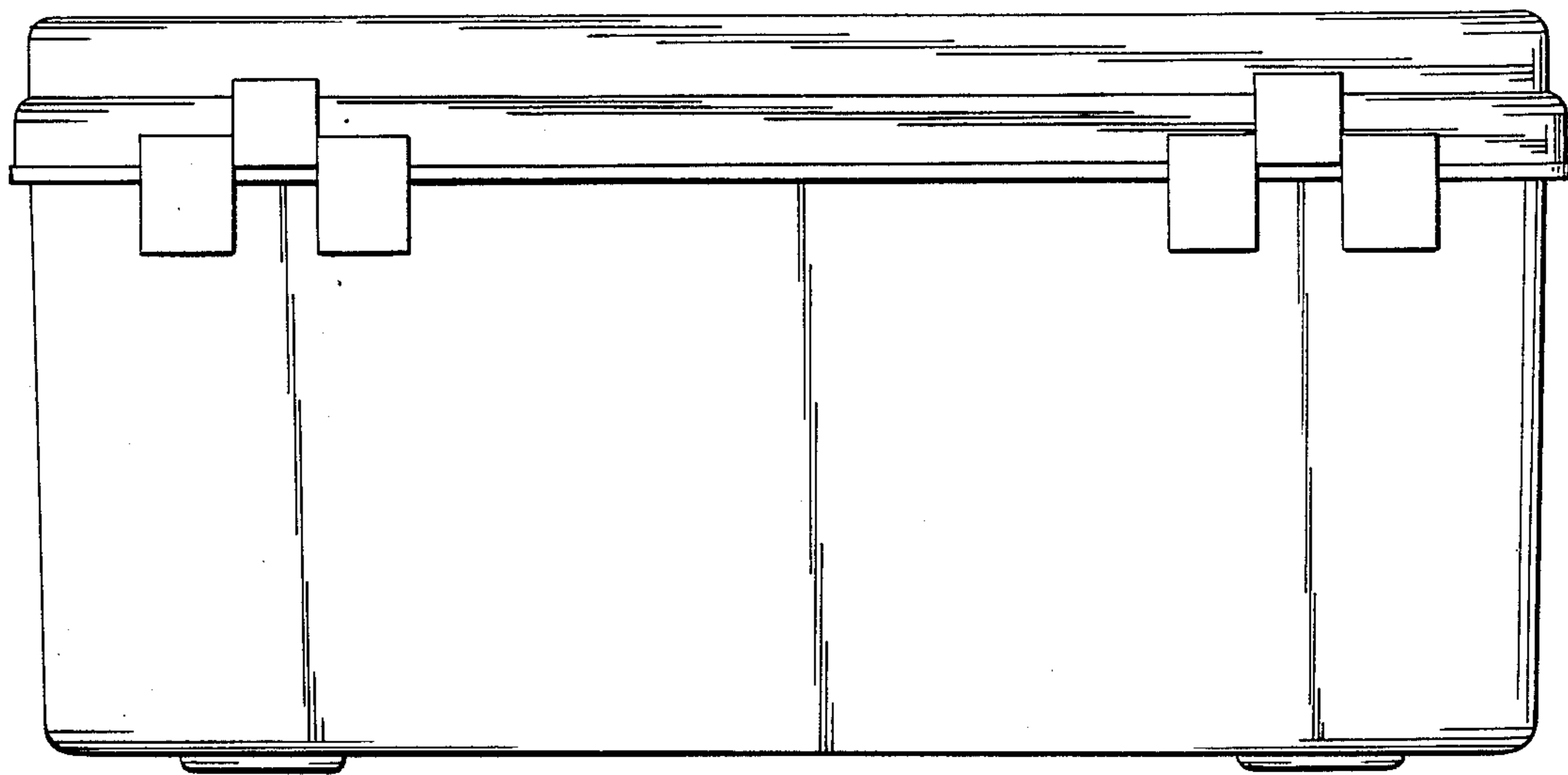


Fig. 5

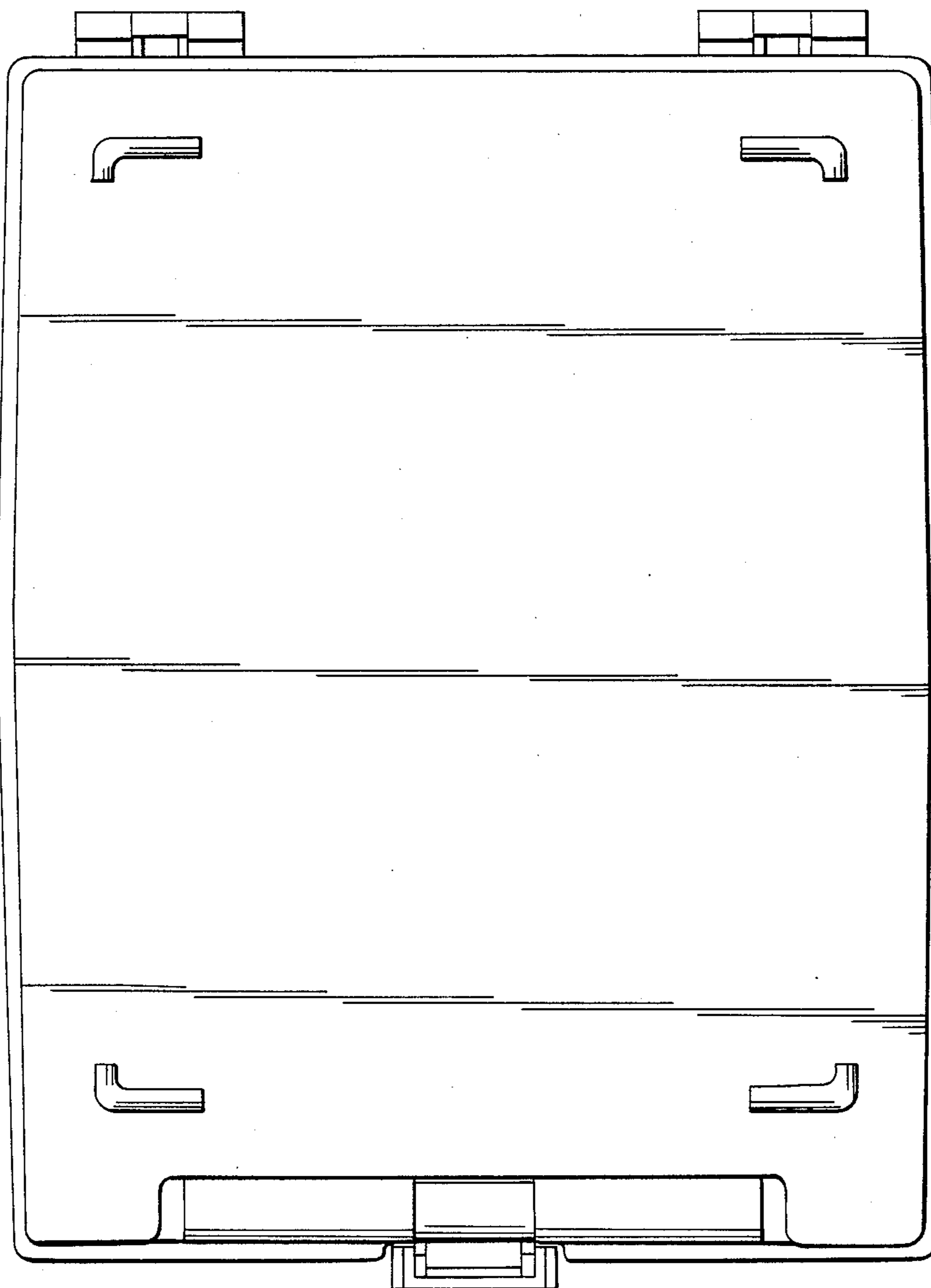


Fig. 6