

[54] BRIDGE ASSEMBLY FOR GUITARS

[75] Inventors: Charles A. Gressett, Jr., Brea; Charles H. Todd, III, La Habra; John F. Page, La Mirada, all of Calif.

[73] Assignee: Fender Musical Instruments Corporation, Brea, Calif.

[**] Term: 14 Years

[21] Appl. No.: 492,349

[22] Filed: May 6, 1983

[52] U.S. Cl. D17/21

[58] Field of Search D17/14, 15, 18-21; 84/267, 298, 313

[56] References Cited

U.S. PATENT DOCUMENTS

D. 256,132	7/1980	Wilson	D17/21
D. 261,527	10/1981	Carson	D17/21
D. 262,292	12/1981	Carson	D17/21
D. 268,845	5/1983	Fender	D17/21
2,741,146	4/1956	Fender	84/313
4,171,661	10/1979	Rose	84/313

FOREIGN PATENT DOCUMENTS

751656 1/1961 Canada 84/313

OTHER PUBLICATIONS

American Guitars, T. Wheeler, Harper & Row, N.Y., ©'82, p. 43, lower right 3 61-'62 Stratocaster.

American Guitars, T. Wheeler, ©'82, p. 57, '81 Fender GE, L F-100 Bridge.

Page 9 of Fender Musical Instruments' (Assignee herein) 1982 catalog.

Primary Examiner—Bernard Ansher

Assistant Examiner—Theodore M. Shooman

Attorney, Agent, or Firm—Poms, Smith, Lande & Rose

[57] CLAIM

The ornamental design for a bridge assembly for guitars, substantially as shown and described.

DESCRIPTION

FIG. 1 is a top plan view of a bridge assembly for guitars showing our new design;

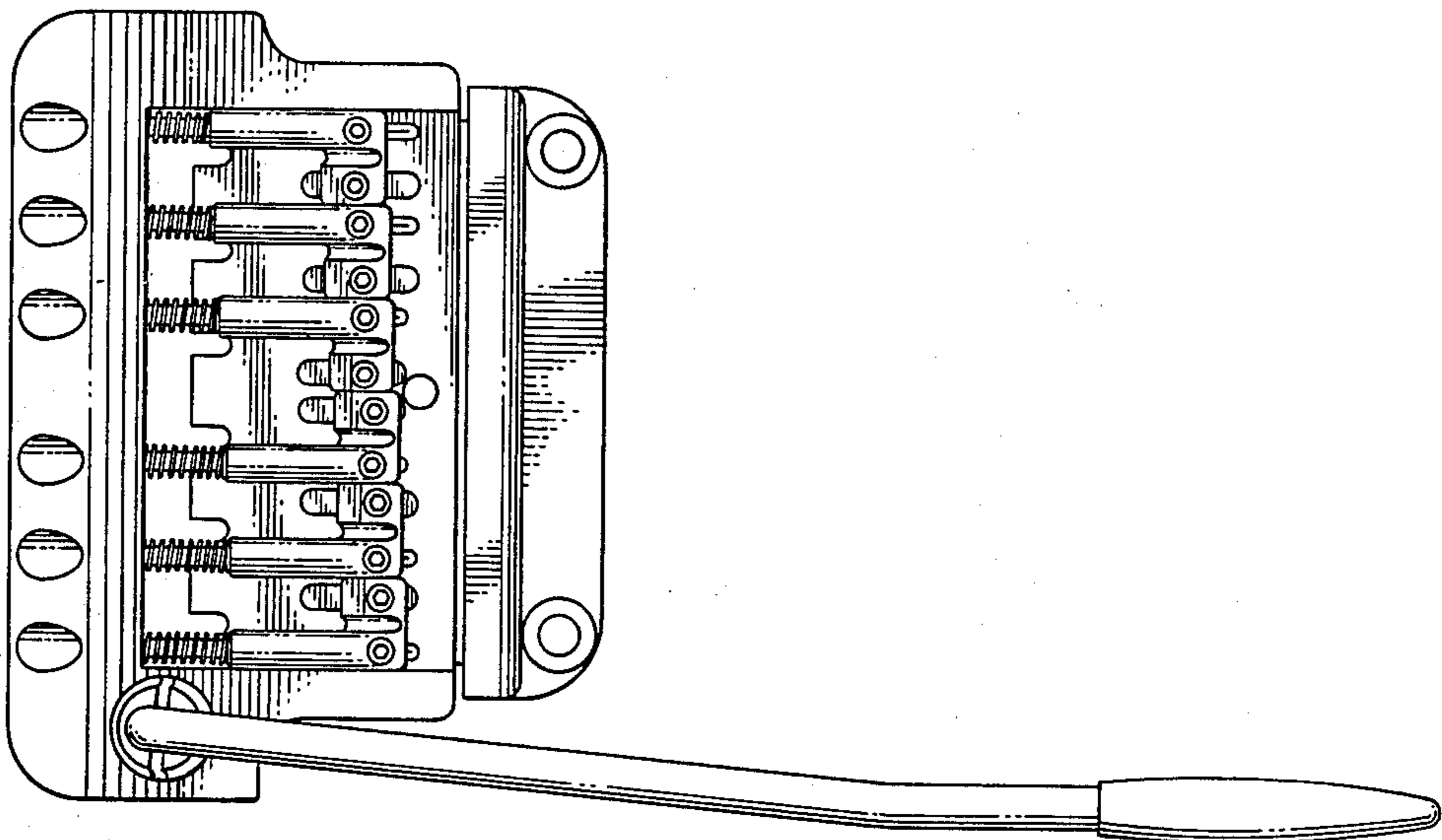
FIG. 2 is a right side elevational view;

FIG. 3 is a left side elevational view;

FIG. 4 is a front elevational view;

FIG. 5 is a rear elevational view; and

FIG. 6 is a bottom plan view.



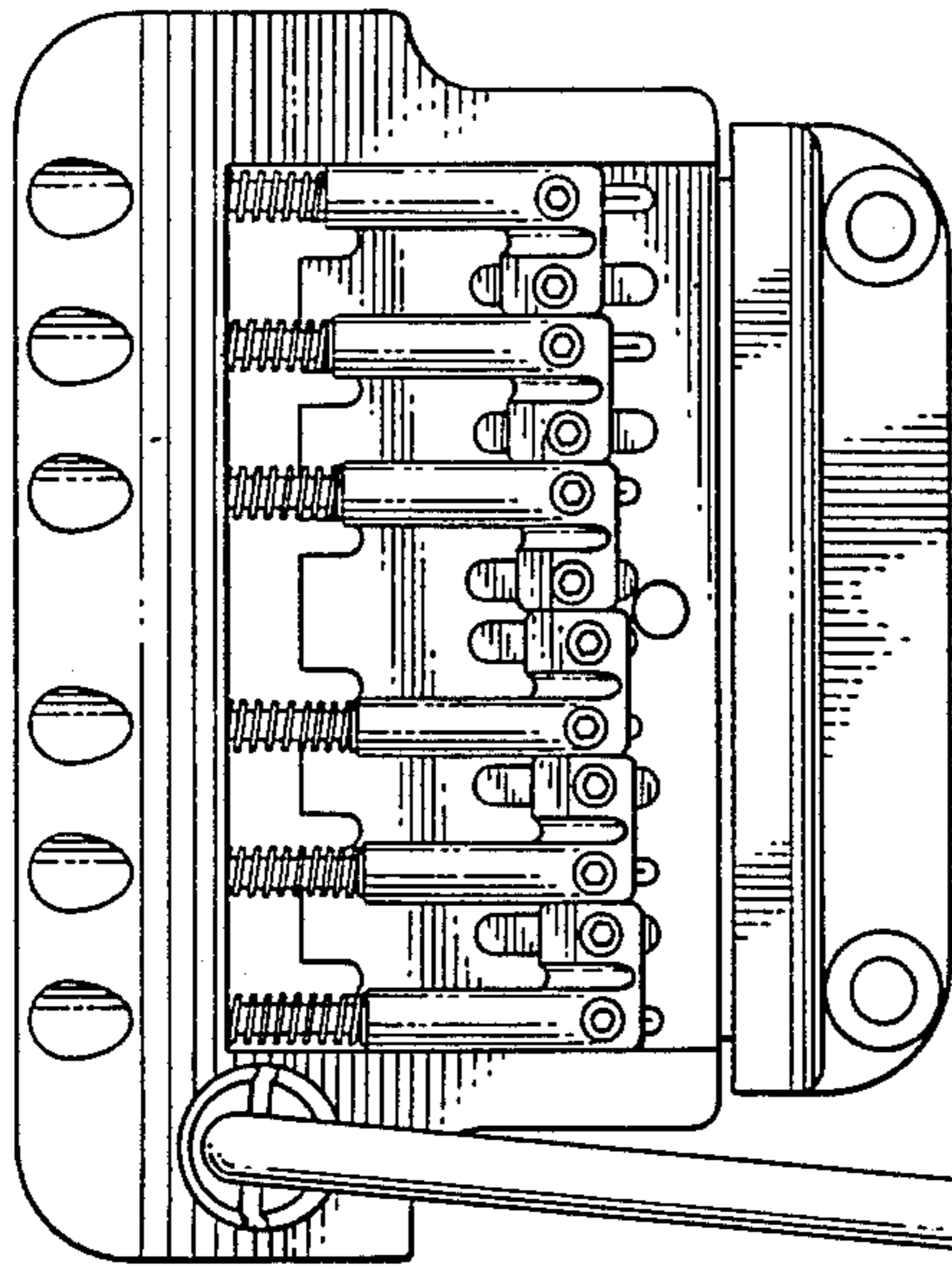


FIG. 1.

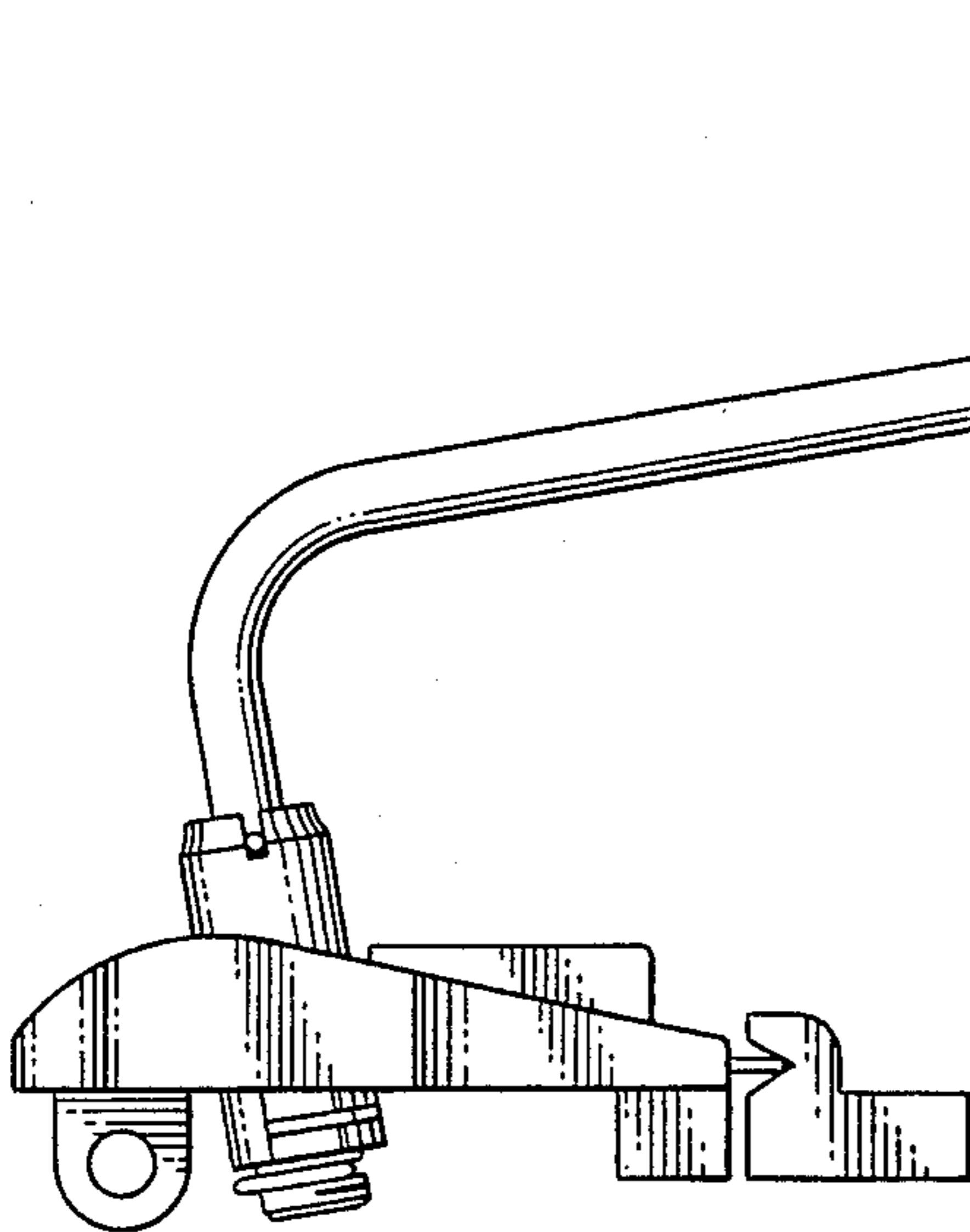


FIG. 2.

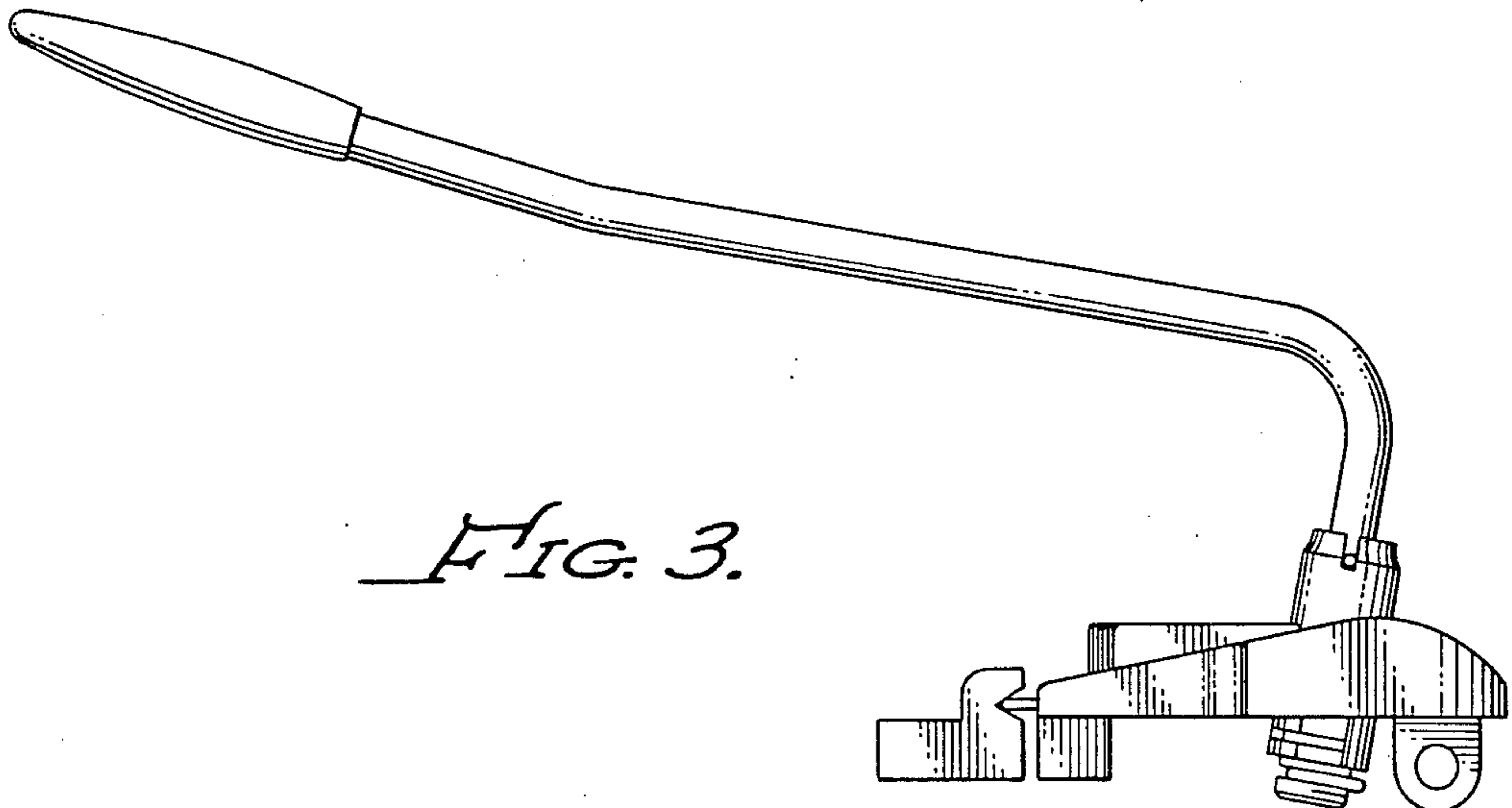


FIG. 3.

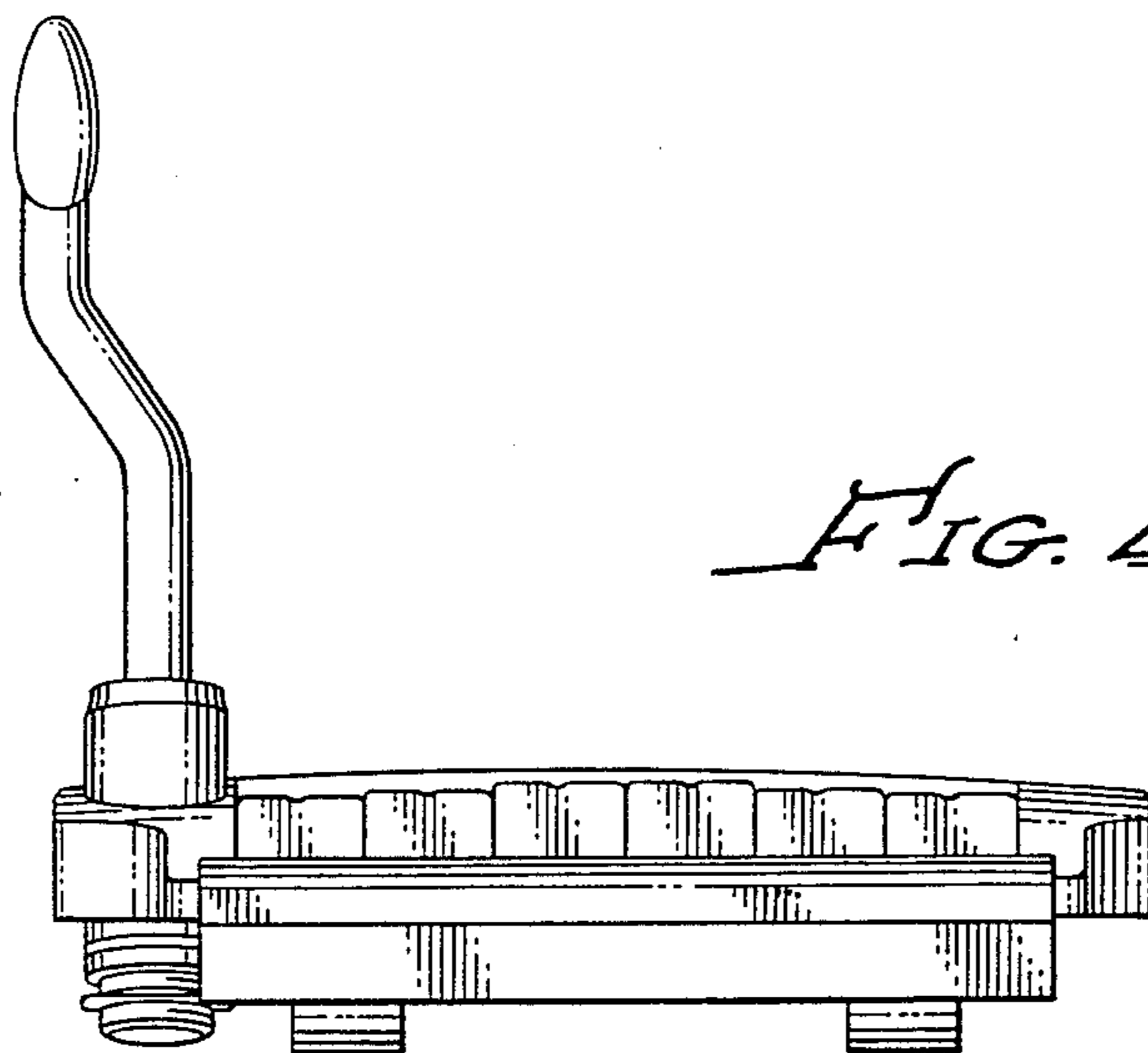


FIG. 4.

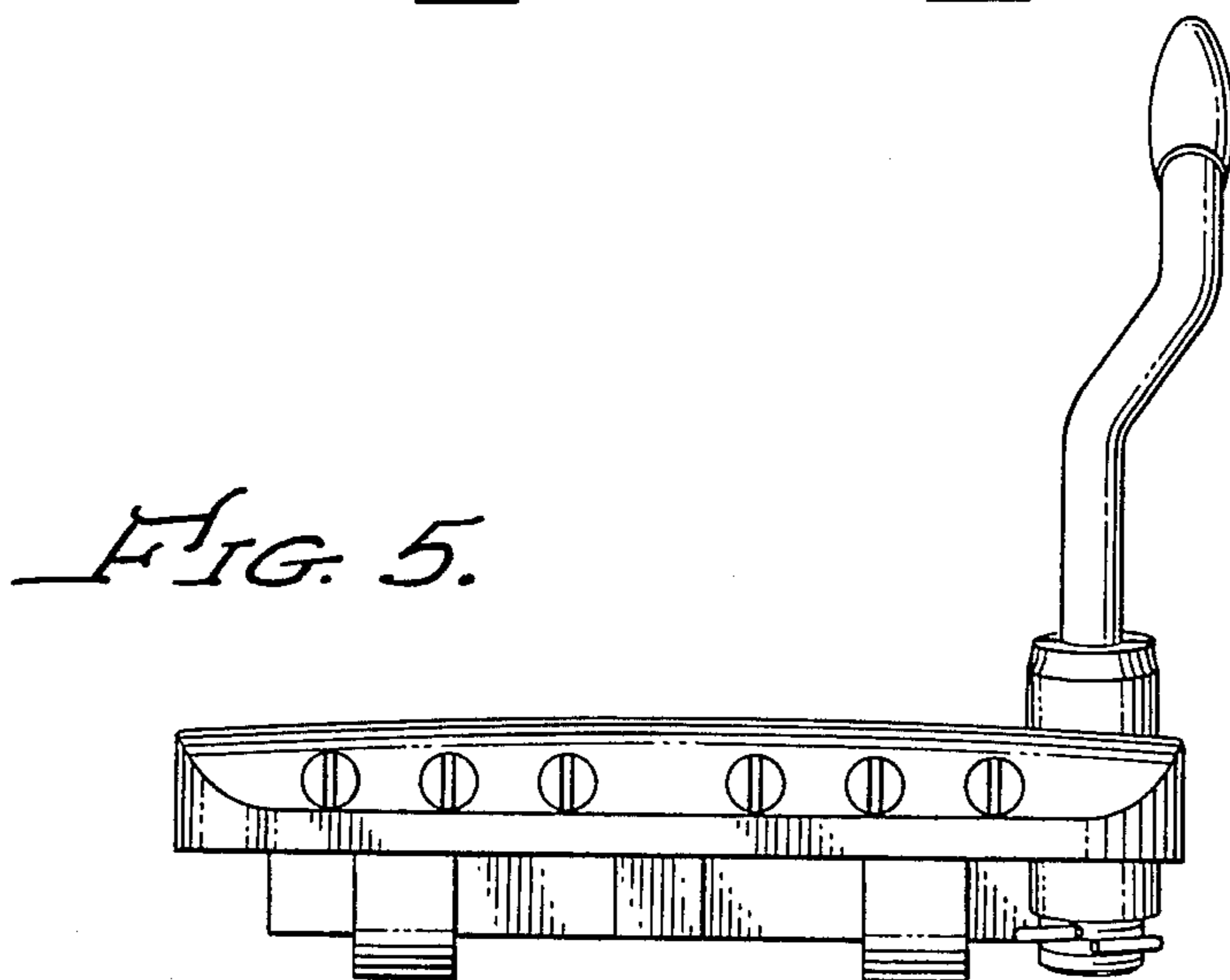


FIG. 5.

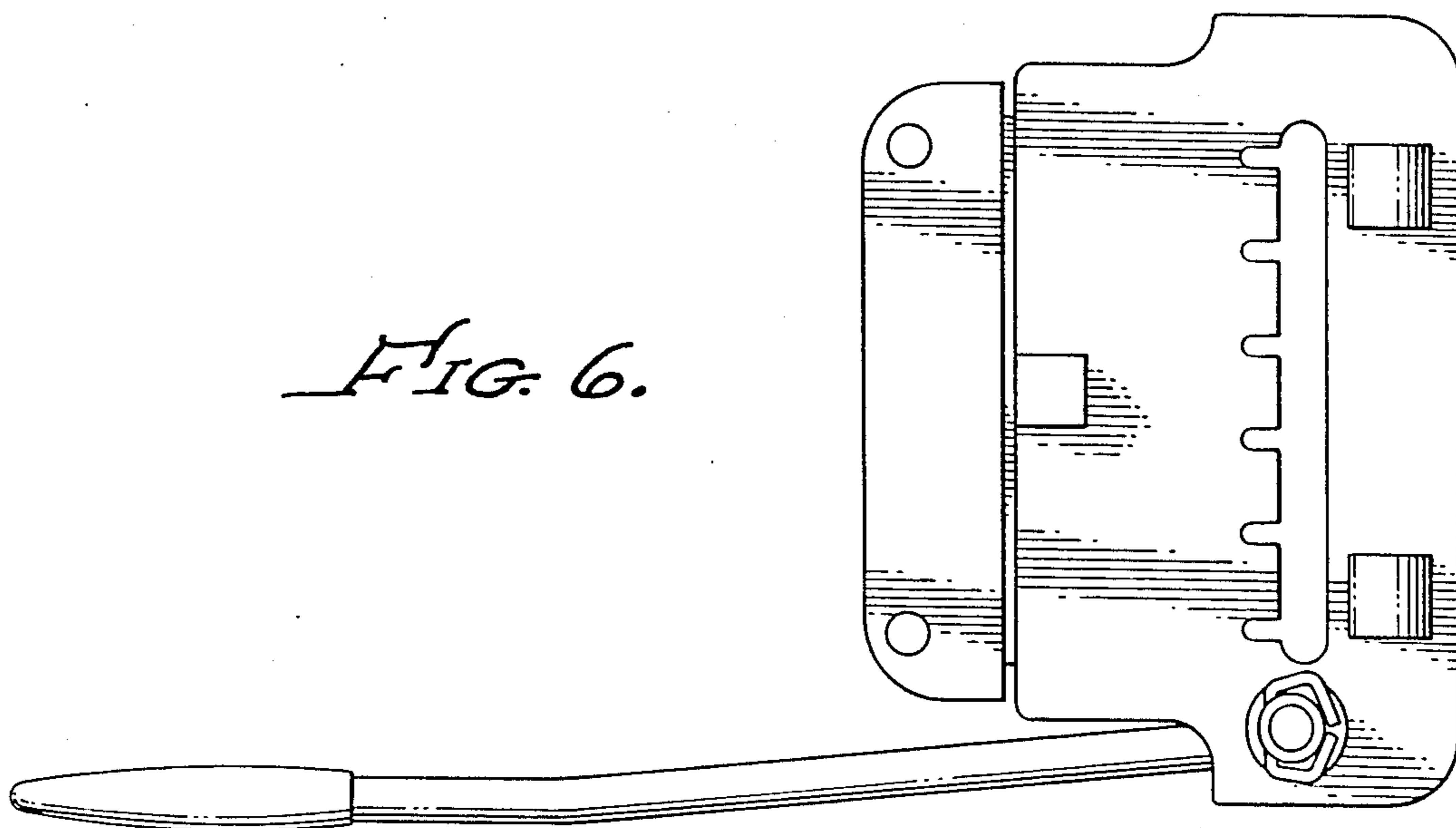


FIG. 6.