

[54] COMMUNICATIONS EQUIPMENT
KEYBOARD HOUSING

[75] Inventor: William J. Sermon, London, England

[73] Assignee: British Telecommunications, Great Britain

[**] Term: 14 Years

[21] Appl. No.: 15,607

[22] Filed: Feb. 17, 1987

[30] Foreign Application Priority Data

Aug. 18, 1986 [GB] United Kingdom 1036164

[52] U.S. Cl. D14/240; D14/241; D14/149; D14/150; D14/142; D14/440

[58] Field of Search D14/151, 140, 142, 149, D14/241, 240, 150; 379/436, 110, 130, 96, 267, 440, 419, 420, 428, 429; D19/91, 86

[56] References Cited

U.S. PATENT DOCUMENTS

- D. 234,851 4/1975 Tyson et al. D14/149
- D. 262,212 12/1981 Jarda D14/149
- D. 266,762 11/1982 Gibson D14/240
- D. 268,265 3/1983 Gibson D14/240
- D. 268,934 5/1983 Walton D14/241
- D. 272,906 3/1984 Heinzelman et al. D14/241
- D. 276,046 10/1984 Genaro et al. D14/149

- D. 276,692 12/1984 Marshall D14/150
- D. 279,185 6/1985 Felix et al. D14/251
- D. 284,388 6/1986 Hampf D14/150
- D. 285,218 8/1986 Mayo D19/86 X
- D. 290,116 6/1987 Yasui et al. D14/150
- D. 291,567 8/1987 Read et al. D14/149
- D. 291,692 9/1987 Read et al. D14/149
- D. 293,441 12/1987 Kowalik et al. D14/151
- D. 297,137 8/1988 Richter et al. D14/151
- D. 300,319 3/1989 Stockholm et al. D14/151
- 3,153,400 10/1964 Mendels D19/91 X
- 3,881,071 4/1975 Willis et al. 379/429
- 4,385,212 5/1983 Tyler D14/241 X
- 4,785,472 11/1988 Shapiro 379/96
- 4,790,004 12/1988 Nalbone 379/267

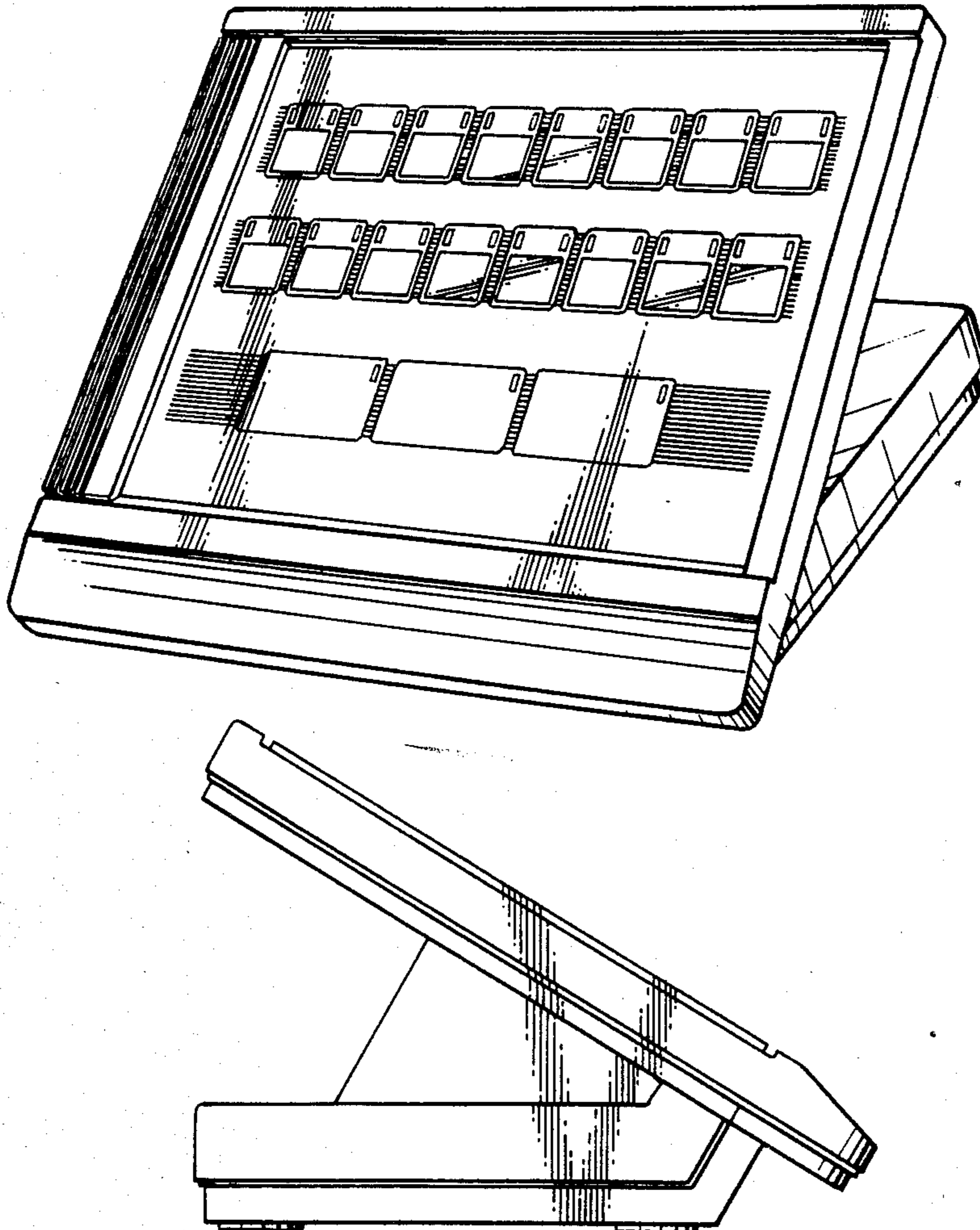
Primary Examiner—Horace B. Fay, Jr.
Attorney, Agent, or Firm—Nixon & Vanderhye

[57] CLAIM

The ornamental design for a communications equipment keyboard housing, as shown and described.

DESCRIPTION

FIG. 1 is a front, top and right side perspective view of a communication equipment keyboard housing showing my new design;
FIG. 2 is a top plan view thereof;
FIG. 3 is a rear elevational view thereof;
FIG. 4 is a bottom plan view thereof; and
FIG. 5 is a left side elevational view thereof.



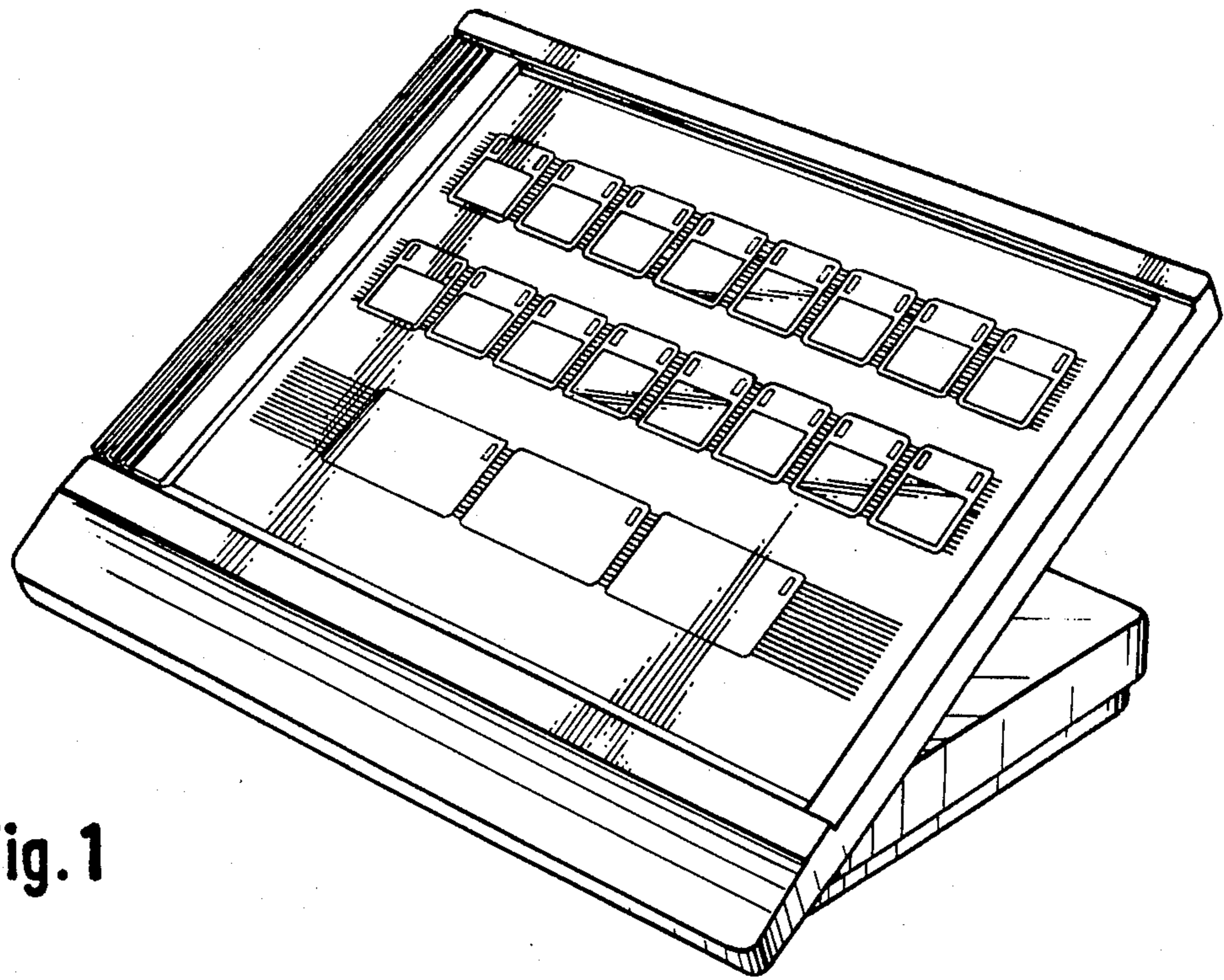


Fig. 1

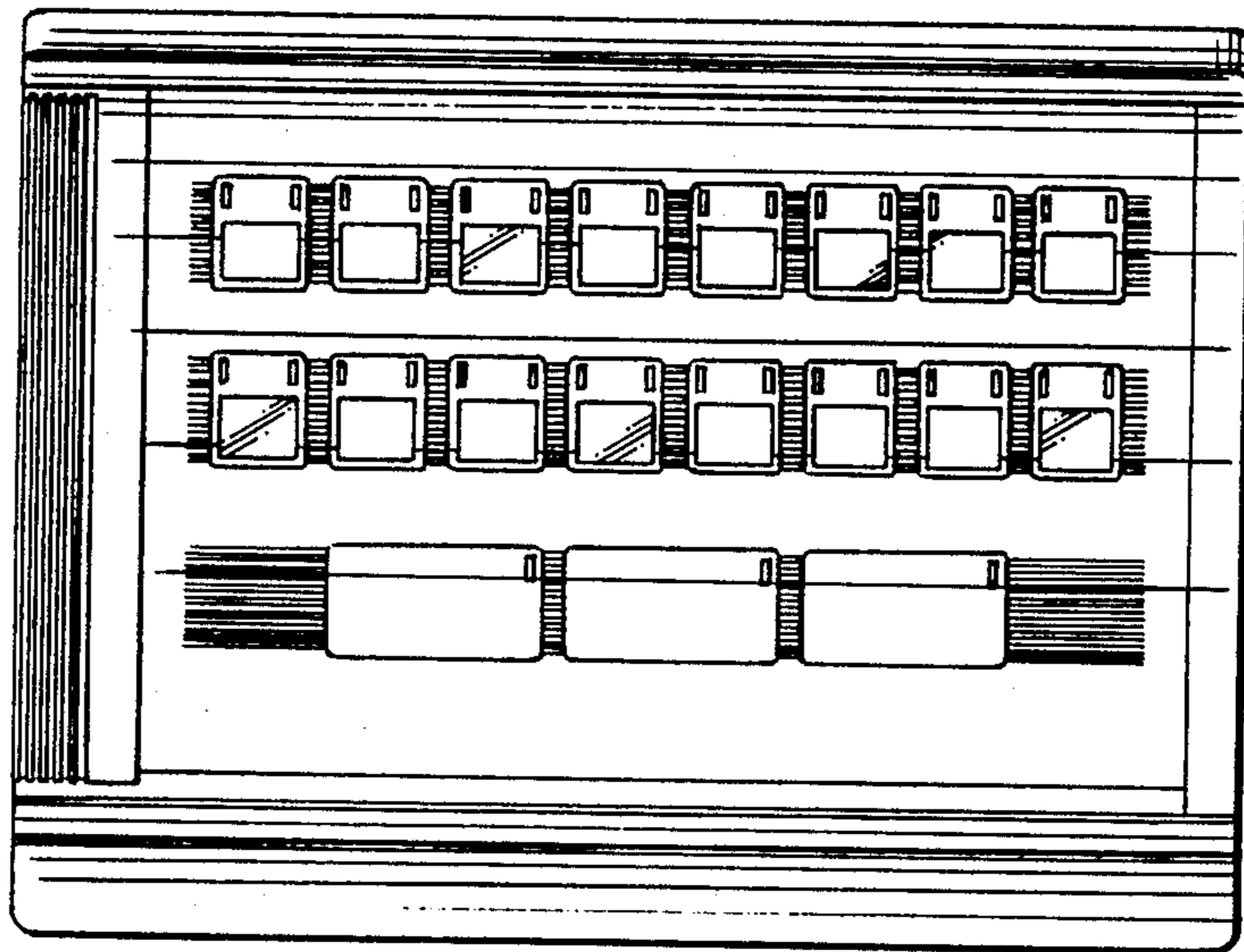


Fig. 2

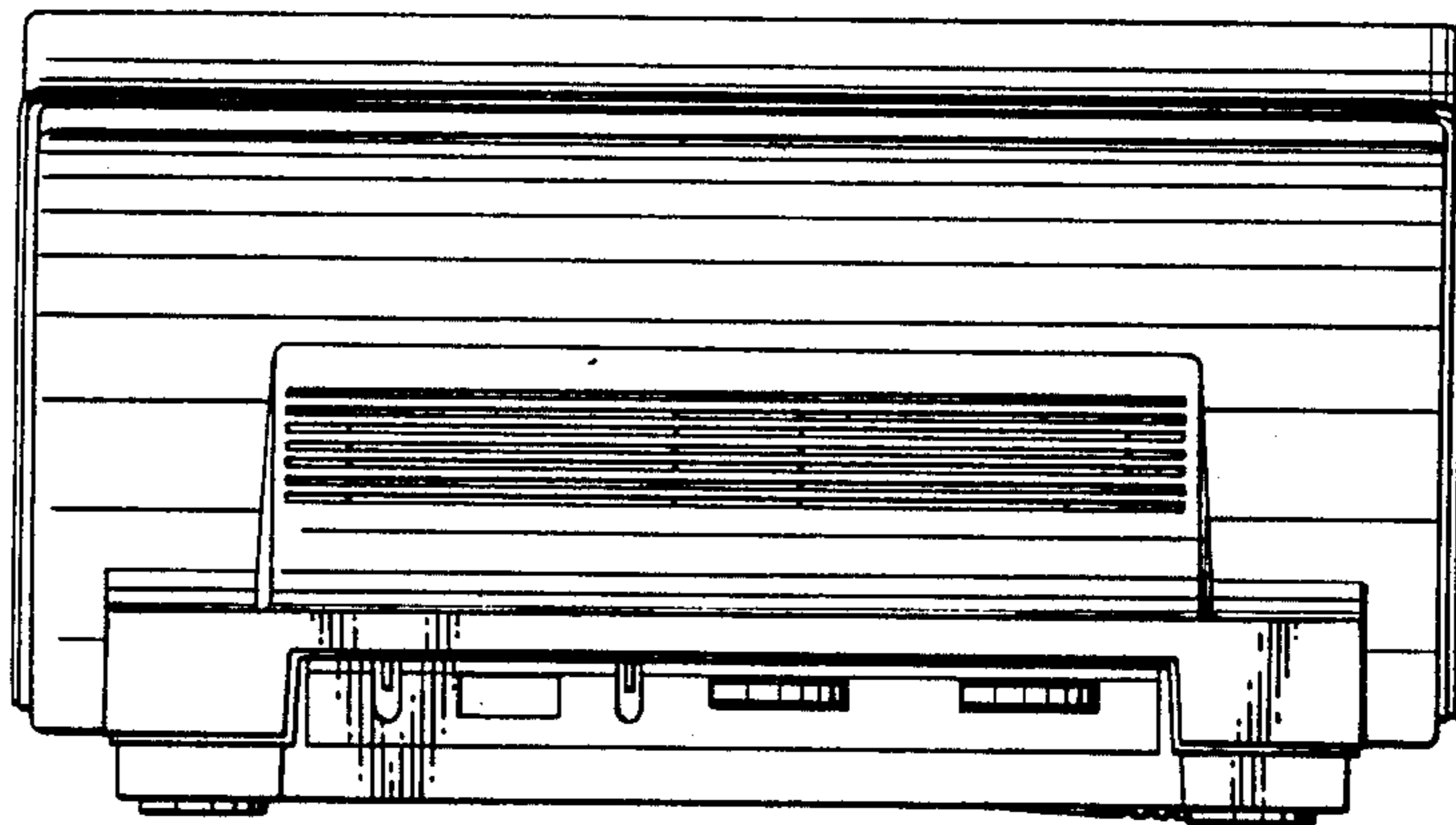


Fig. 3

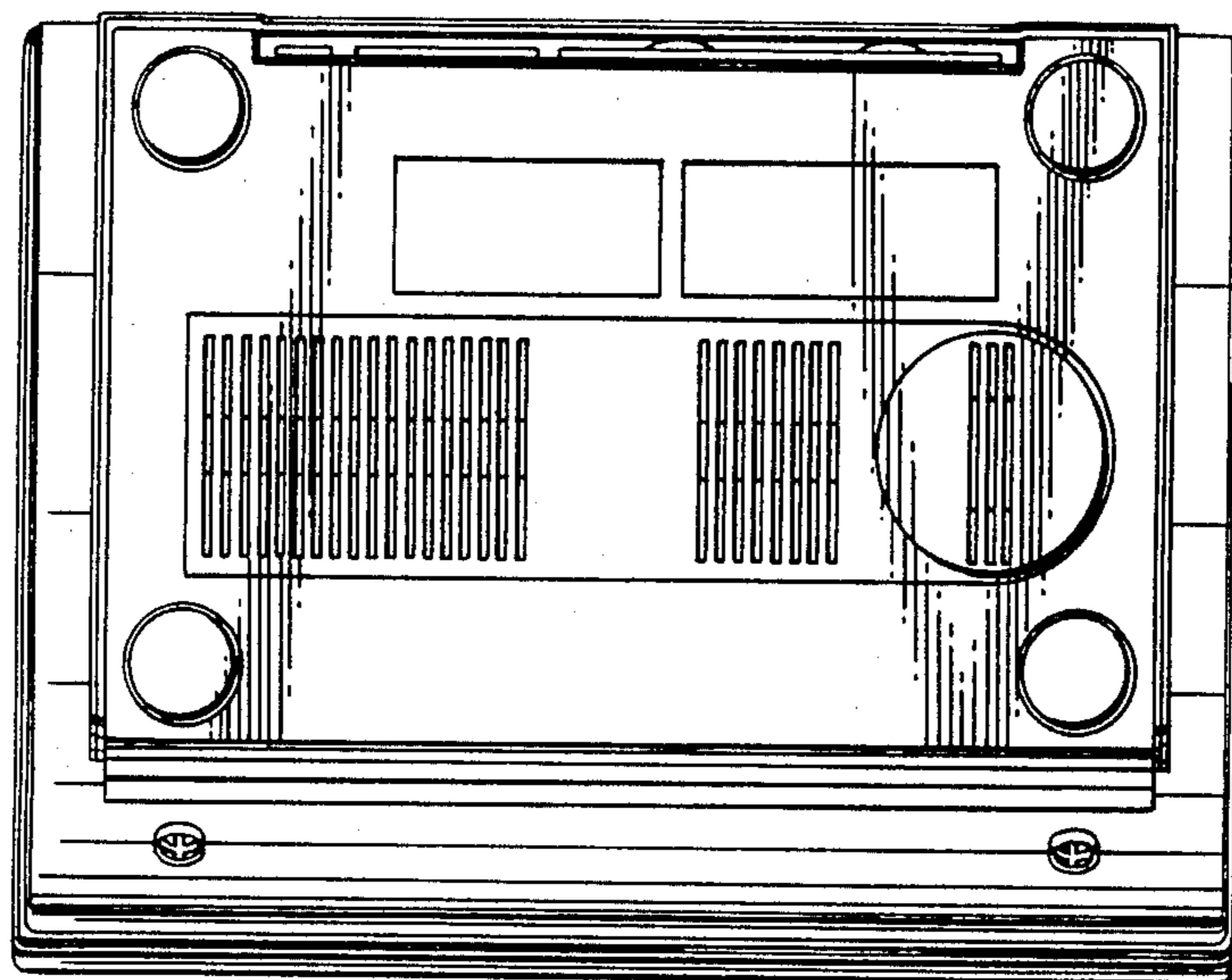


Fig. 4

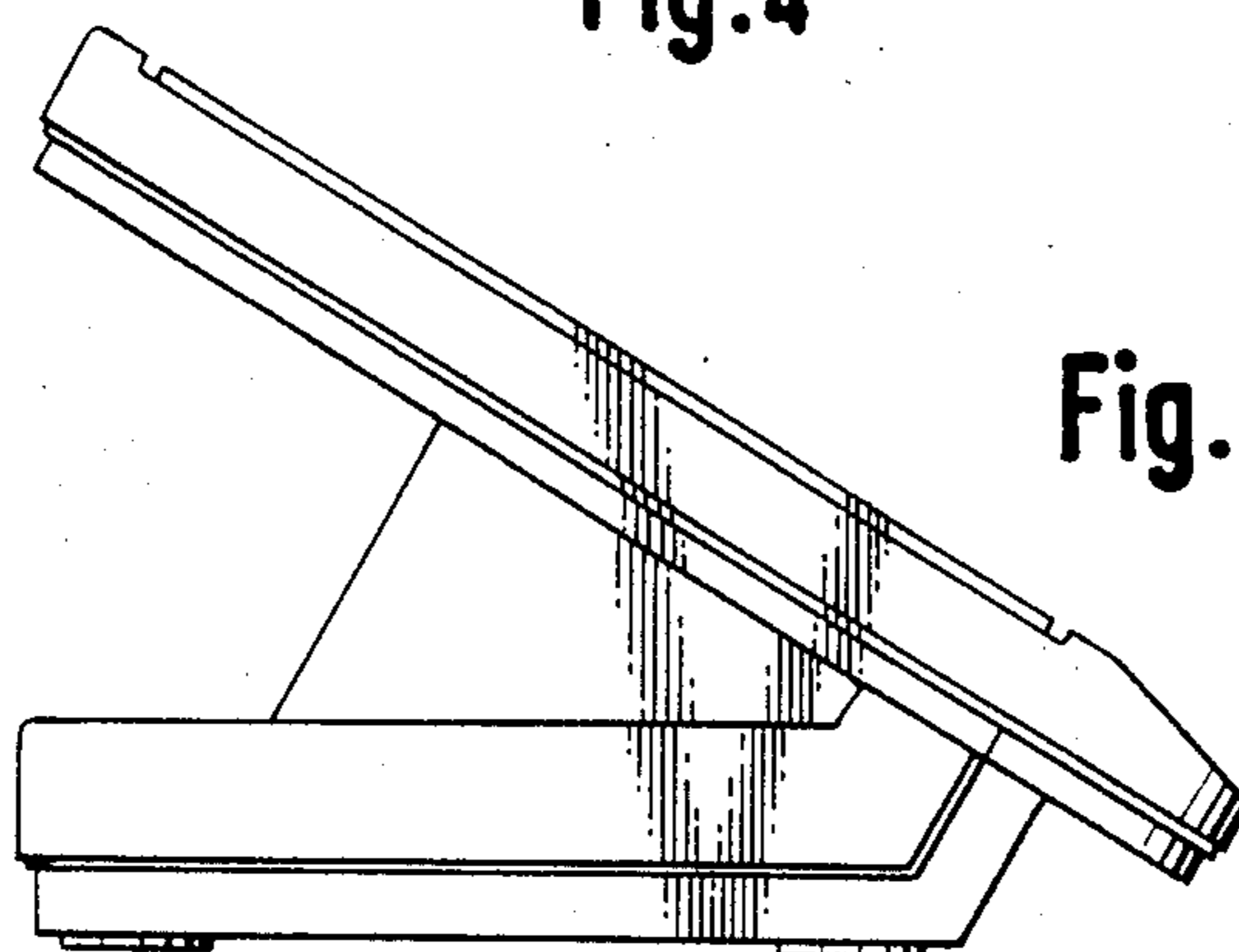


Fig. 5

UNITED STATES PATENT AND TRADEMARK OFFICE
CERTIFICATE OF CORRECTION

PATENT NO. : D304338
DATED : 31 October 1989
INVENTOR(S) : William J. Sermon

It is certified that error appears in the above-identified patent and that said Letters Patent is hereby corrected as shown below:

On the face of the patent at [73] Assignee: "British Telecommunications-United Kingdom" should read --British Telecommunications public limited company, United Kingdom--.

**Signed and Sealed this
Ninth Day of July, 1991**

Attest:

HARRY F. MANBECK, JR.

Attesting Officer

Commissioner of Patents and Trademarks