

[54] **INDOOR ANTENNA**

[75] **Inventor: Guo-Bang Tai, Taipei, Taiwan**
[73] **Assignee: King Feng Co. Ltd., Taipei, Taiwan**
[**] **Term: 14 Years**
[21] **Appl. No.: 864,898**
[22] **Filed: May 19, 1986**
[52] **U.S. Cl. D14/235; D14/231**
[58] **Field of Search D14/230-238;**
343/720, 721, 730, 741, 746, 747, 748, 805, 806,
815, 820, 872, 873, 907, 908, 909

[56] **References Cited**

U.S. PATENT DOCUMENTS

D. 229,072 11/1973 Brandt et al. D14/235
D. 238,430 1/1976 Lanson et al. D14/235
3,478,361 11/1969 Middlemark 343/730
3,739,388 6/1973 Callaghan 343/741 X

OTHER PUBLICATIONS

Video Review, Aug. 1982, p. 46, Top-Satellite Antenna.

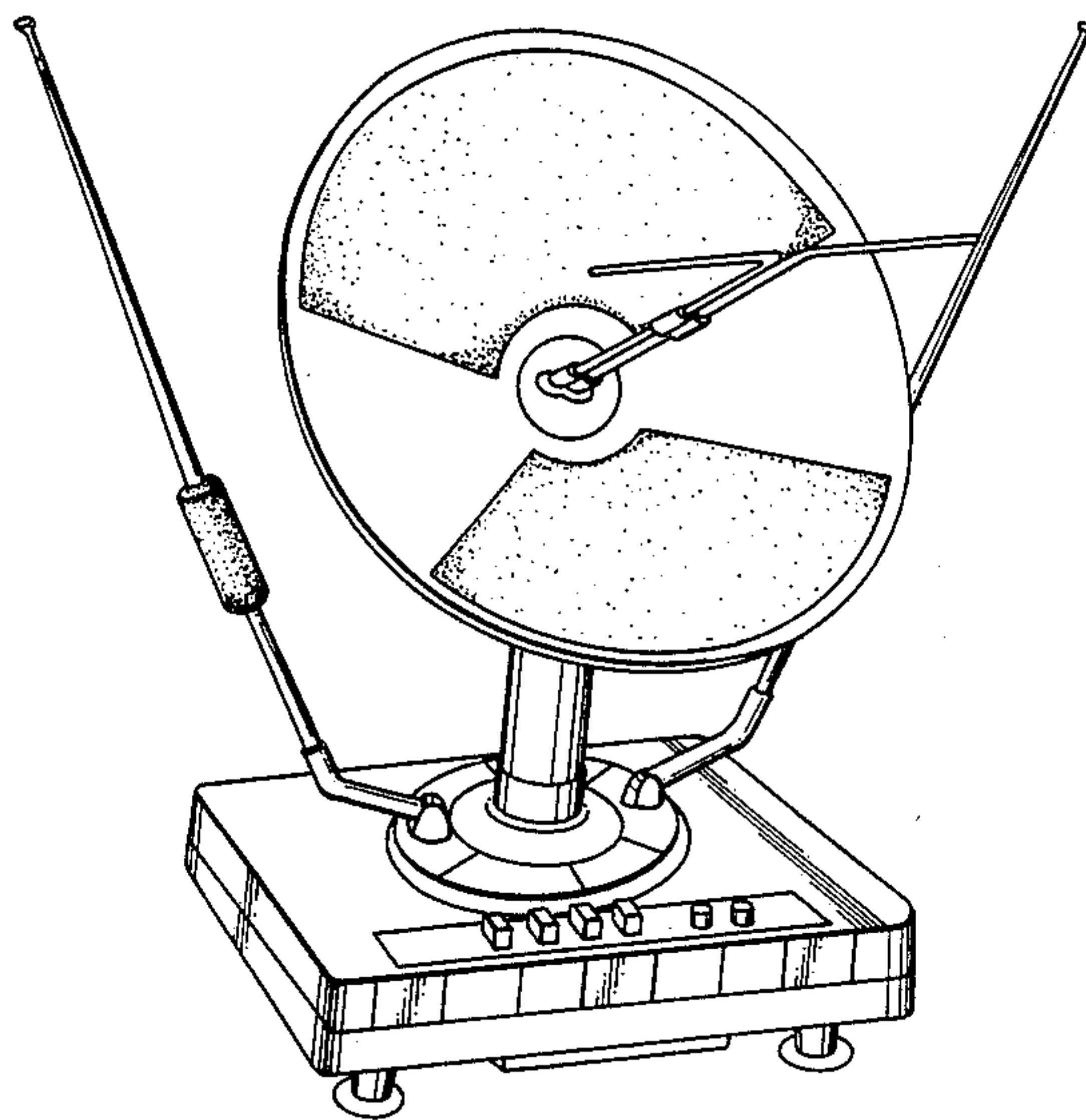
Primary Examiner—B. J. Bullock
Assistant Examiner—Theodore M. Shooman
Attorney, Agent, or Firm—Sandler & Greenblum

[57] **CLAIM**

The ornamental design for an indoor antenna, as shown.

DESCRIPTION

FIG. 1 is a top, front and left side perspective view of an indoor antenna showing my new design;
FIG. 2 is a front elevational view thereof;
FIG. 3 is a left side elevational view thereof;
FIG. 4 is a right side elevational view thereof;
FIG. 5 is a rear elevational view thereof;
FIG. 6 is a bottom plan view thereof; and
FIG. 7 is a top plan view thereof.



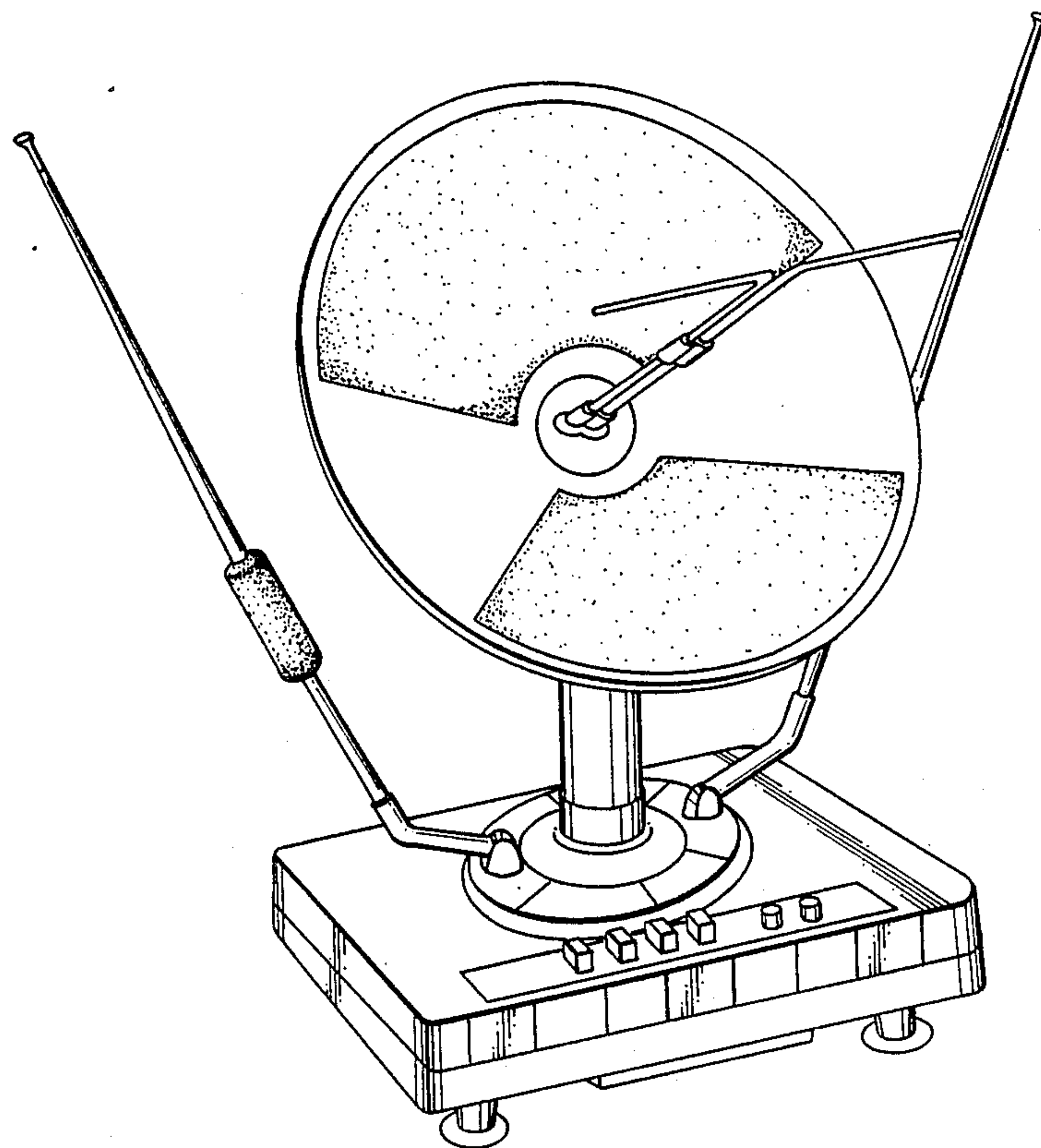


Fig. 1

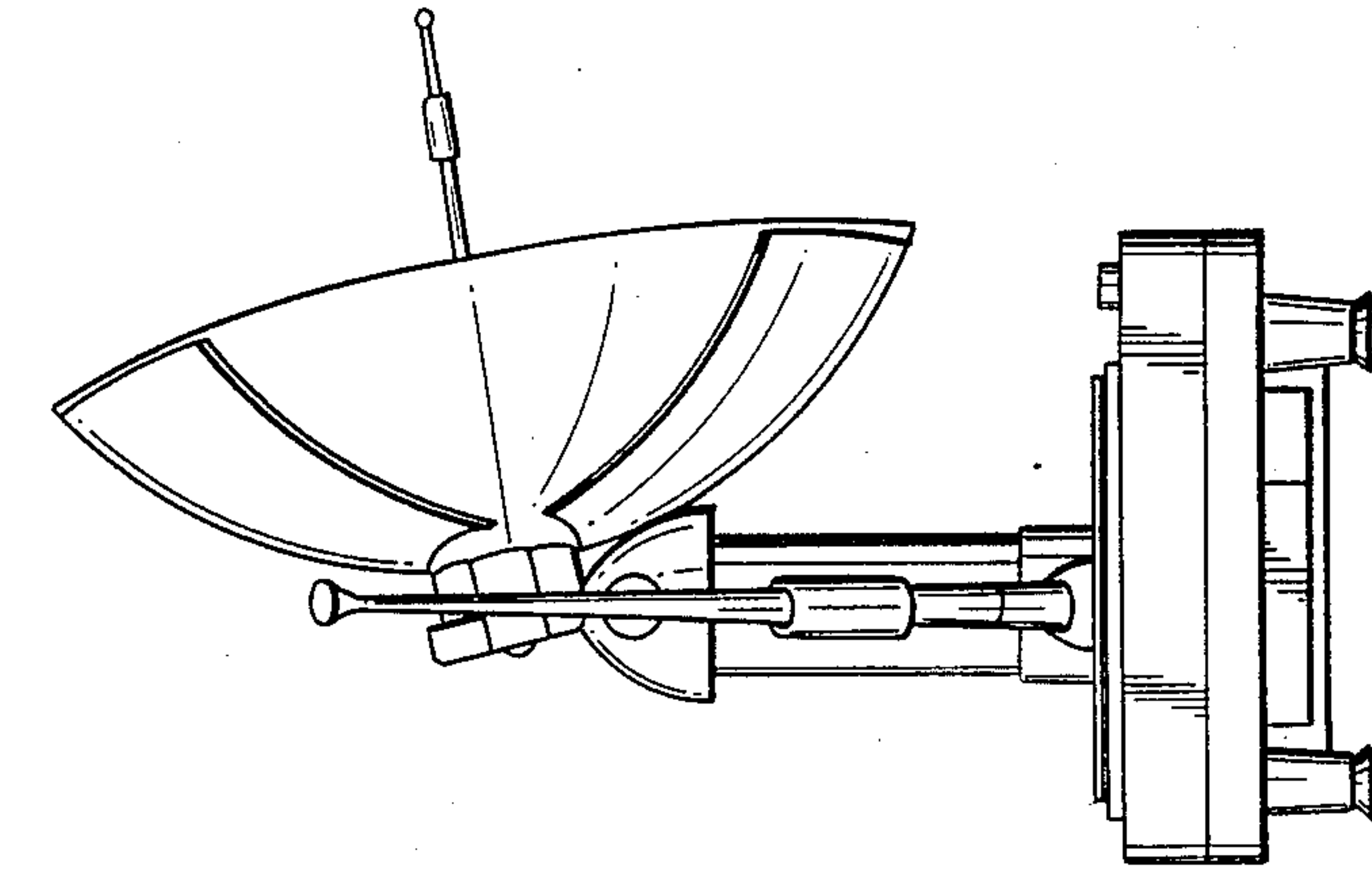


Fig. 3

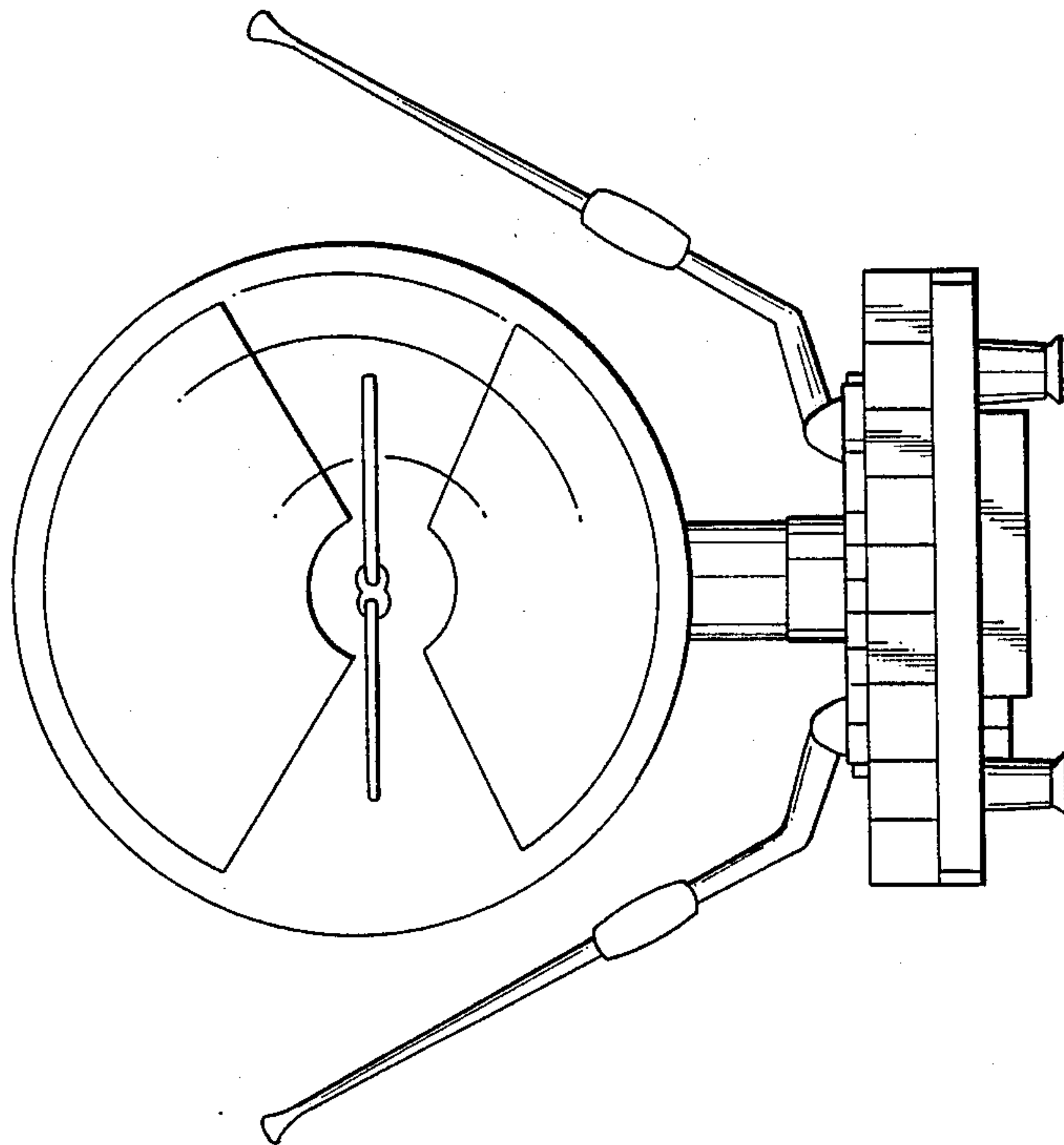


Fig. 2

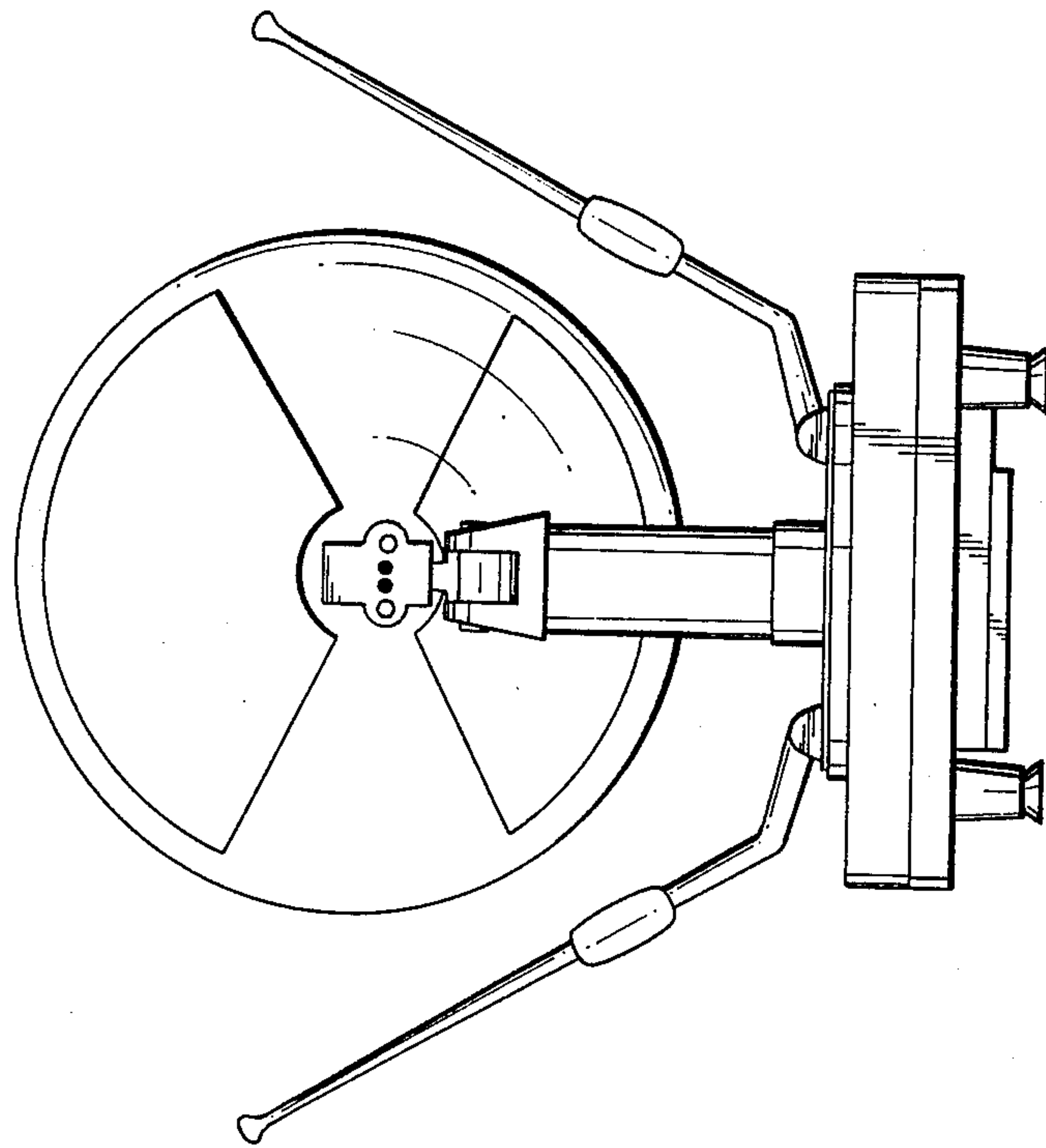


Fig. 5

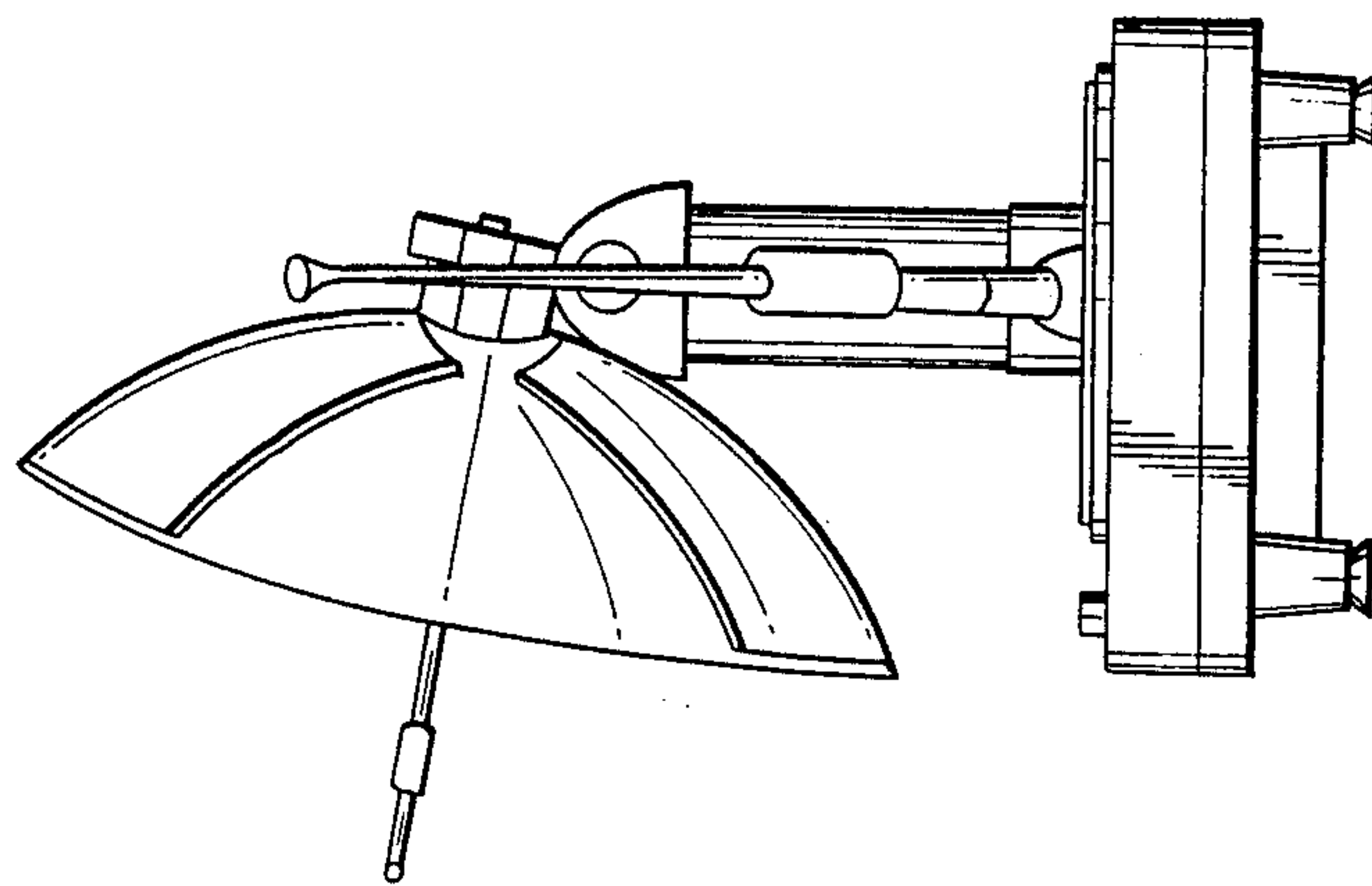


Fig. 4

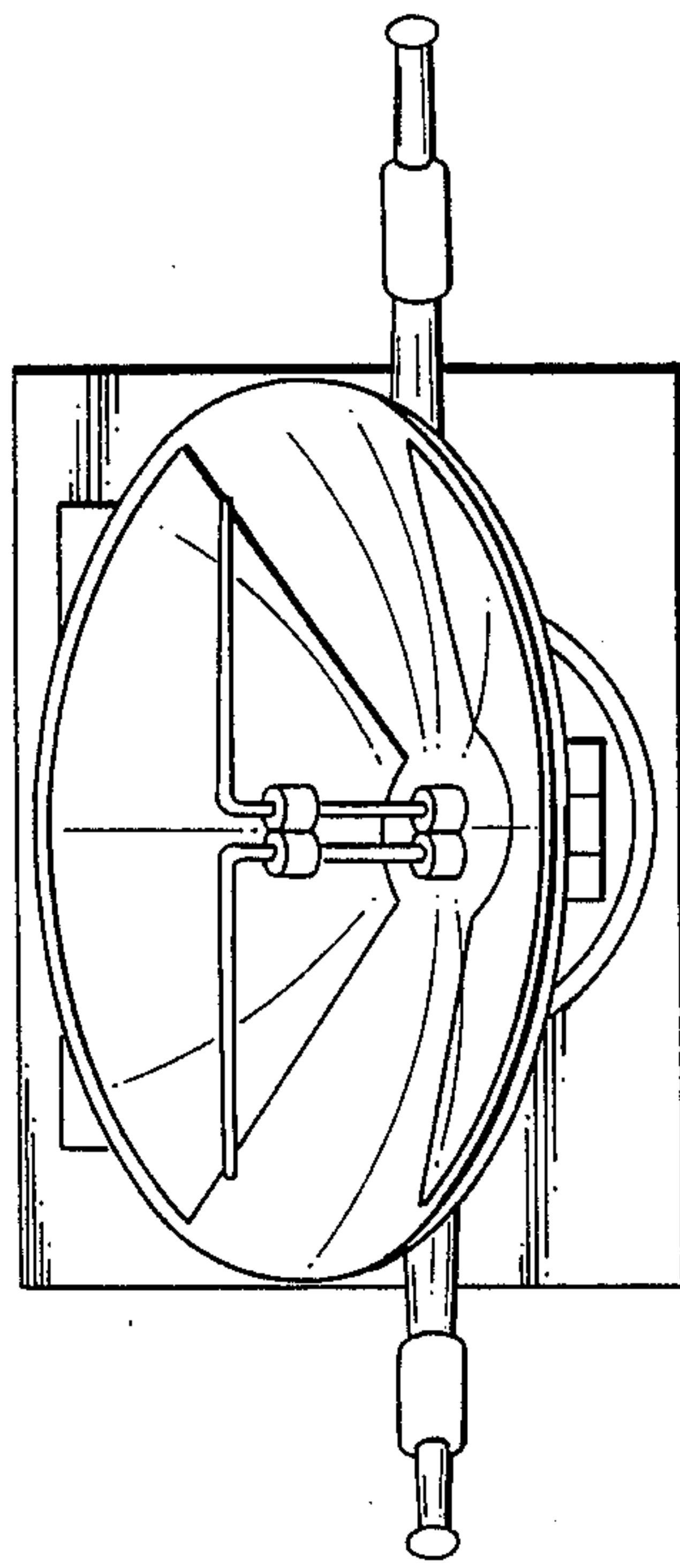


Fig. 7

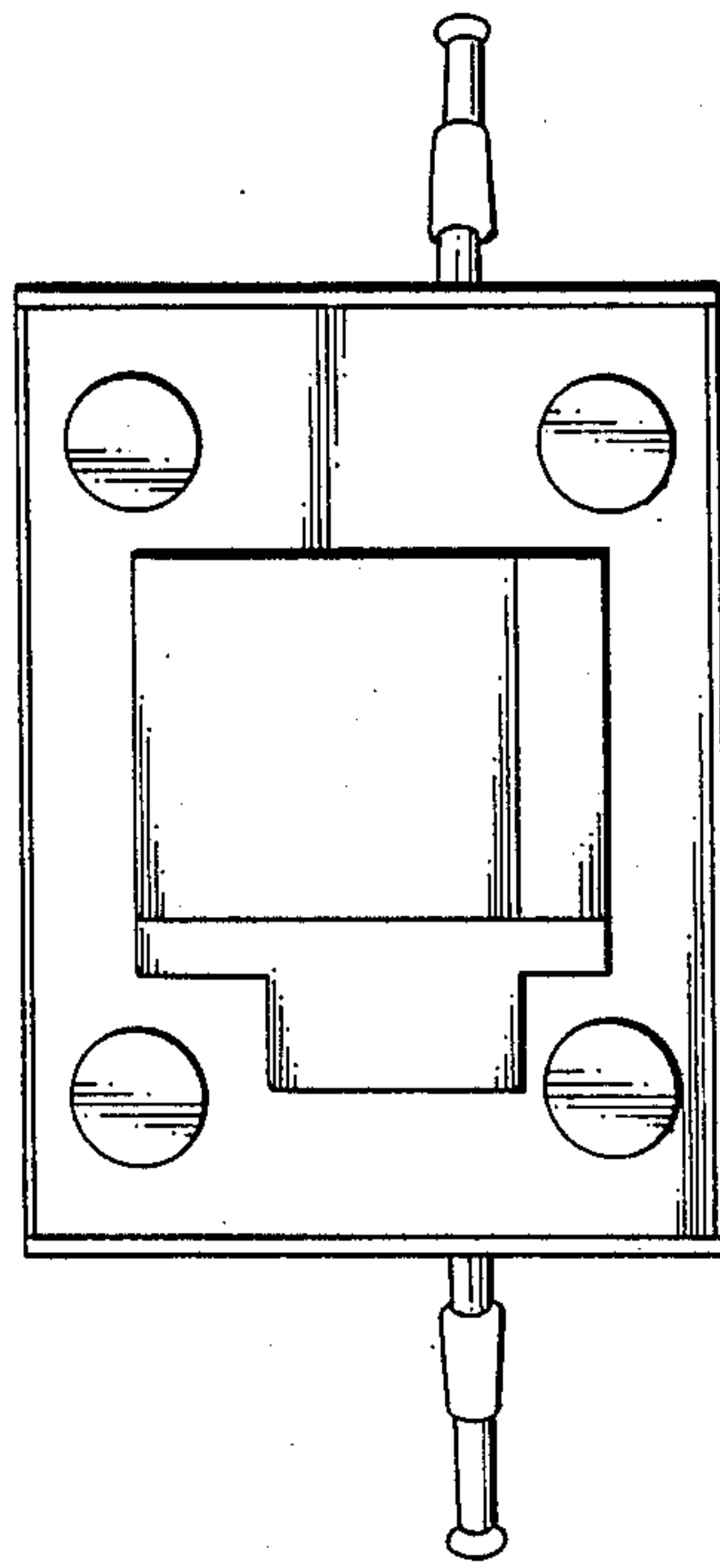


Fig. 6