

[54] **DISKETTE DRIVE FRONT PANEL**

[75] **Inventors:** Paul A. Kerezman, Royal Palm Beach; Walter B. Koteff, West Palm Beach; Alfred A. Stricker, Pompano Beach, all of Fla.

[73] **Assignee:** International Business Machines Corporation, Armonk, N.Y.

[\*\*] **Term:** 14 Years

[21] **Appl. No.:** 835,305

[22] **Filed:** Mar. 7, 1986

[52] **U.S. Cl.** ..... D14/114; D14/115

[58] **Field of Search** ..... D14/107, 109, 114, 135, D14/136, 257, 260, 299, 115; 360/97.01, 97.02, 97.03, 97.04, 98.01-98.06, 98.08, 99.01, 99.02, 99.06, 99.05, 99.12

[56] **References Cited**

**U.S. PATENT DOCUMENTS**

- D. 253,343 11/1979 Schultz et al. .... D14/114
- D. 264,970 6/1982 Giannotti, Jr. .... D14/109
- D. 270,832 10/1983 Hashimoto et al. .... D14/136
- 4,729,047 3/1988 Kanno ..... 360/99.02

**OTHER PUBLICATIONS**

Personal Computing, Aug. 1985, p. 79, bottom right, Disk Drive.

*Primary Examiner*—Bernard Ansher  
*Assistant Examiner*—Theodore M. Shooman  
*Attorney, Agent, or Firm*—Harold H. Sweeney, Jr.; John C. Smith

[57] **CLAIM**

The ornamental design for a diskette drive front panel, as shown and described.

**DESCRIPTION**

FIG. 1 is a right, top, front perspective view of the diskette drive front panel showing our new design; FIG. 2 is a front elevational view thereof; FIG. 3 is a rear elevational view thereof; FIG. 4 is a right side elevational view thereof; FIG. 5 is a left side elevational view thereof; FIG. 6 is a top plan view thereof; FIG. 7 is a bottom plan view thereof; FIG. 8 is a front elevational view thereof showing the diskette drive front panel attached to a diskette drive. The broken line showing of the diskette drive in FIG. 8 is for illustrative purposes only and forms no part of the claimed design.

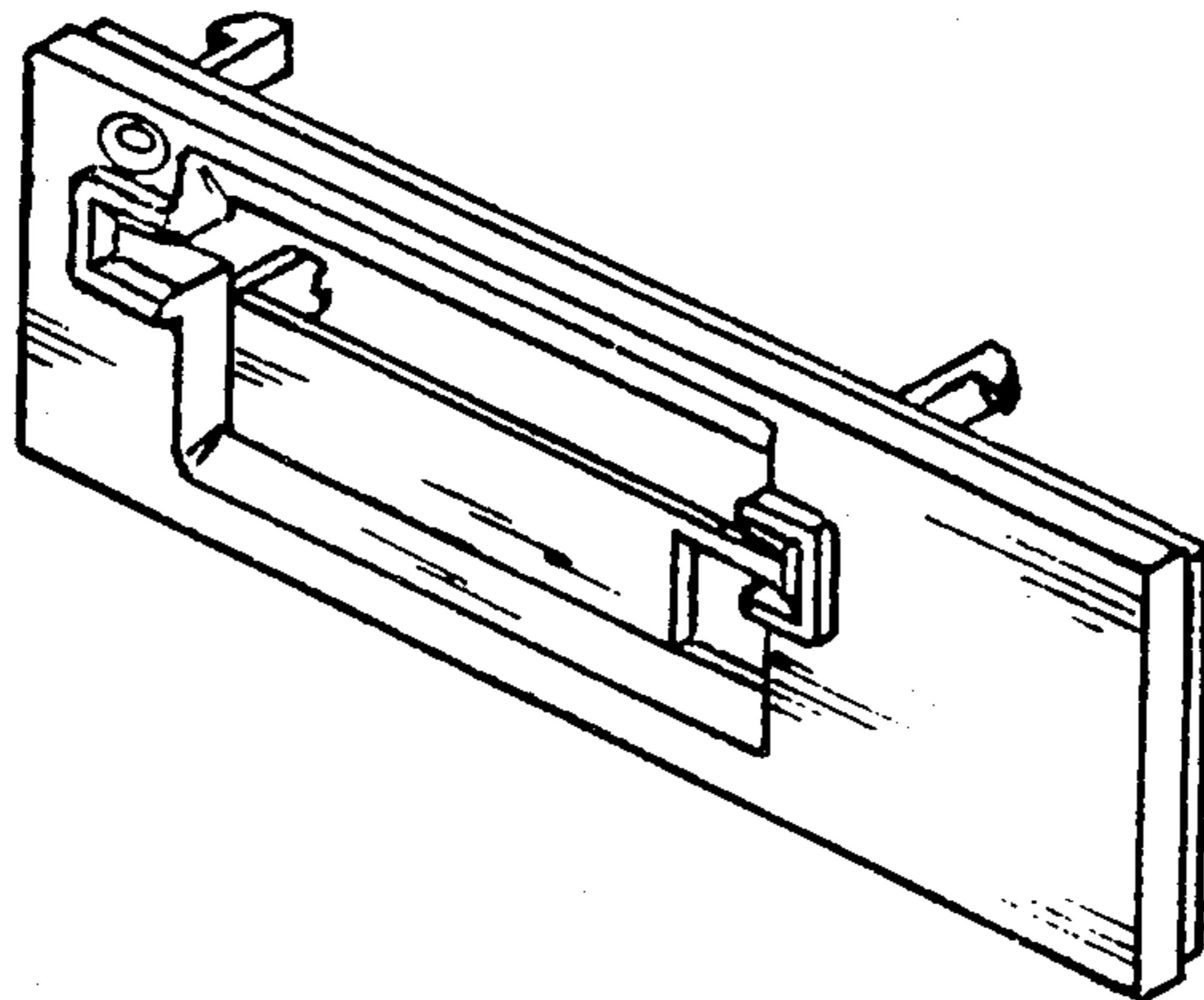


FIG. 1

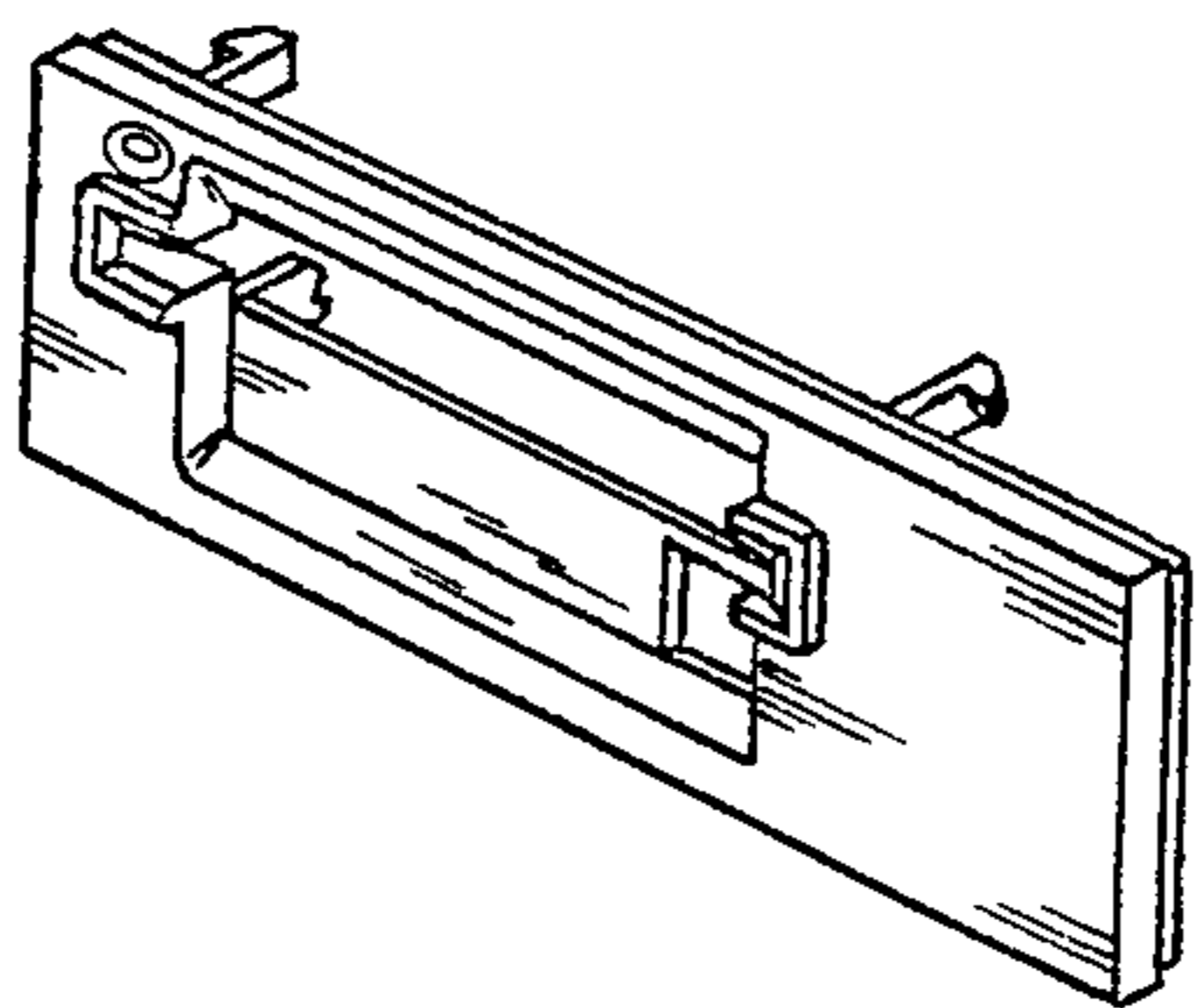


FIG. 2

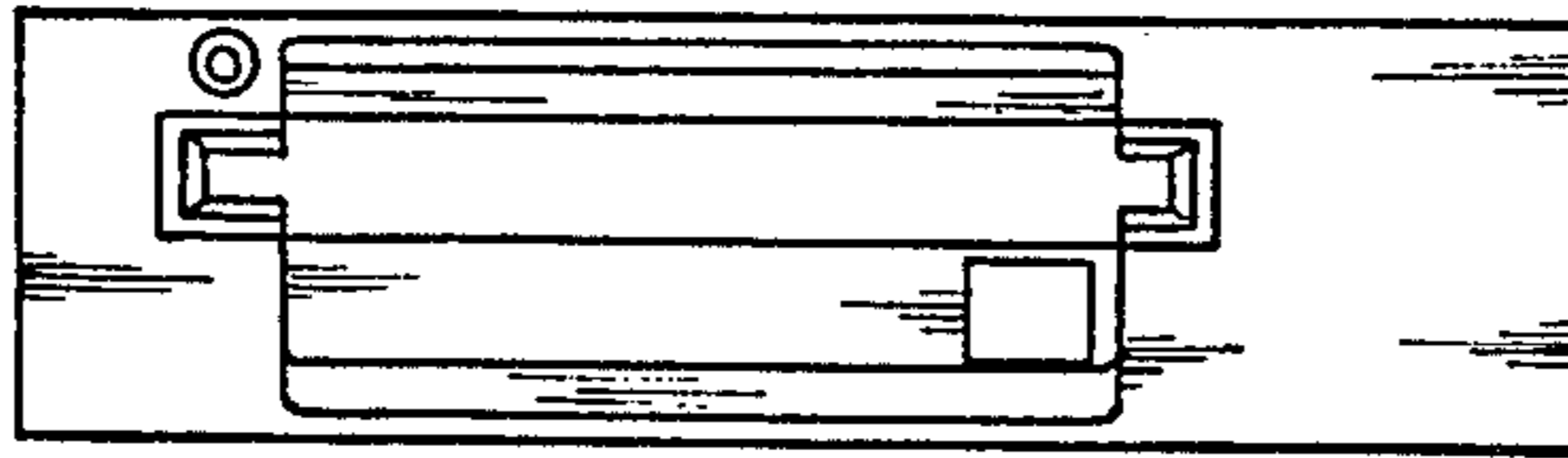


FIG. 3

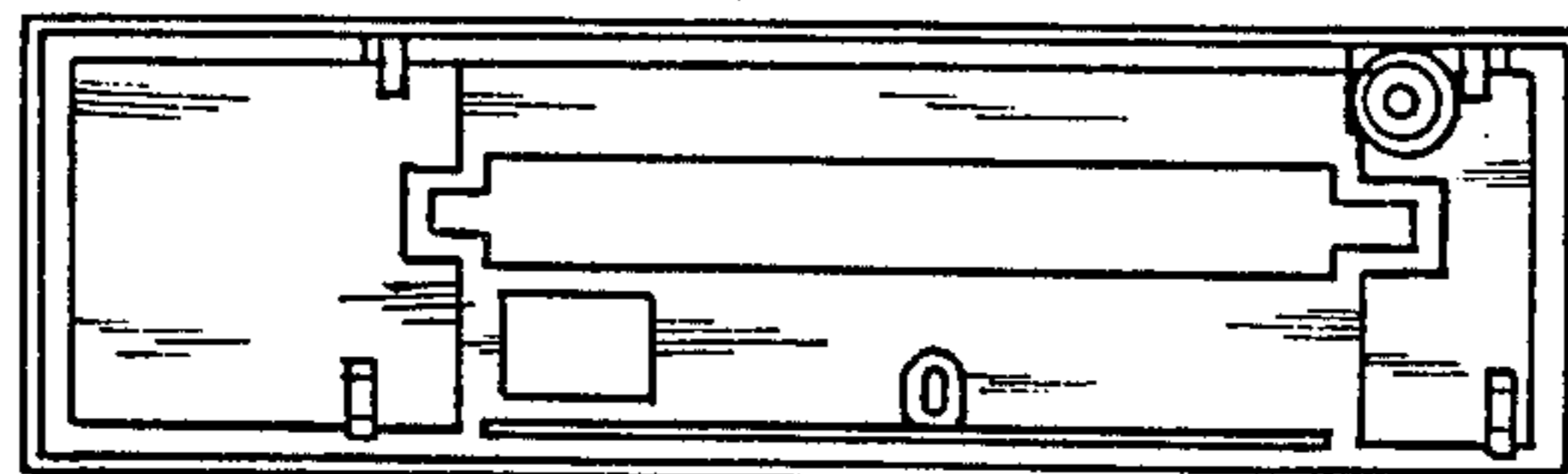


FIG. 4

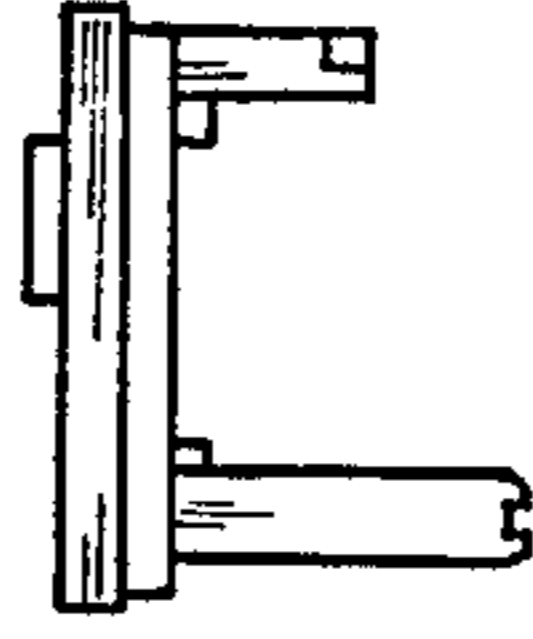


FIG. 5

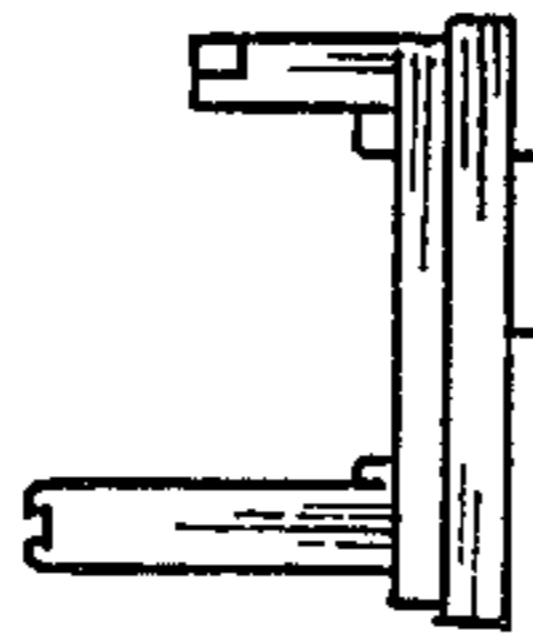


FIG. 6

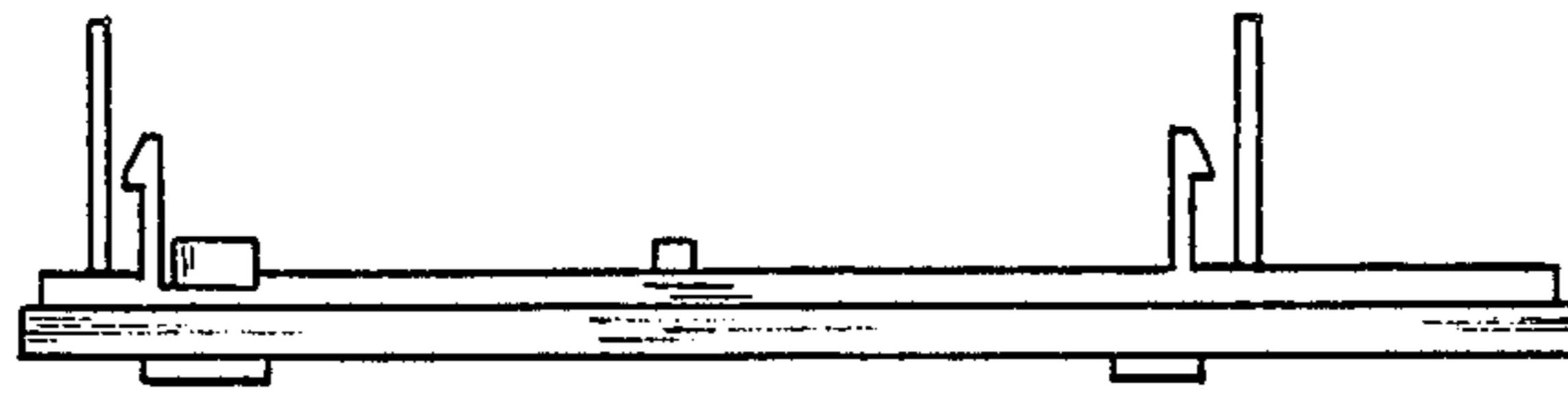
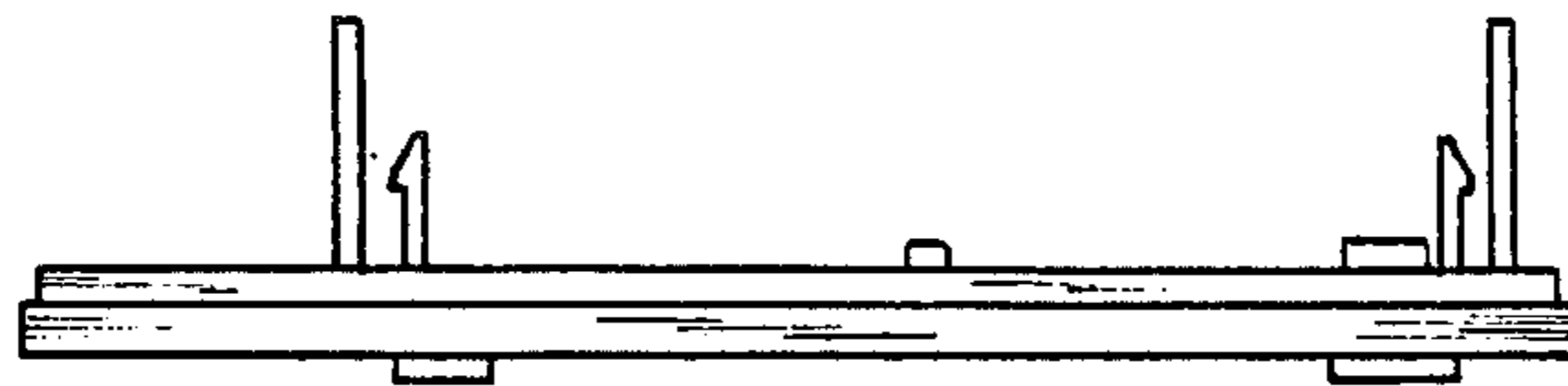
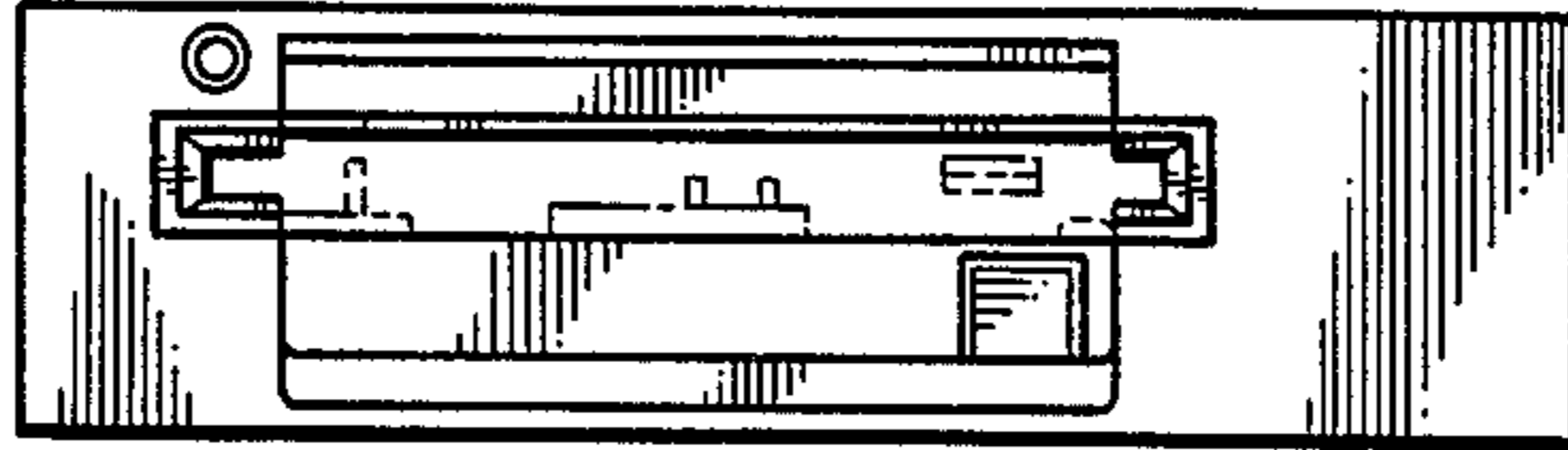


FIG. 7





*FIG. 8*