

United States Patent [19]

Biotteau

[11] Patent Number: **Des. 304,330**

[45] Date of Patent: **** Oct. 31, 1989**

- [54] **ELECTRIC TELLER TERMINAL**
- [75] Inventor: **Gerard Biotteau, Saint Pierre Montlimart, France**
- [73] Assignee: **Societe T.B.S. Industrie (SARL), Saint Pierre Montlimart, France**
- [**] Term: **14 Years**
- [21] Appl. No.: **838,599**
- [22] Filed: **Mar. 11, 1986**
- [52] U.S. Cl. **D14/105; D18/4**
- [58] Field of Search **D18/2-5; D14/100, 105, 106; D99/28; 235/1 D, 7 R, 380-383; 364/404, 405**

- D. 282,552 2/1986 Koppens D18/4
- D. 293,676 1/1988 Nogawa D18/4 X
- 4,084,238 4/1978 Masuo 364/405
- 4,276,598 6/1981 Inoue et al. 364/405
- 4,312,037 1/1982 Yamakita 364/405

Primary Examiner—James R. Largen
Attorney, Agent, or Firm—Young & Thompson

[57] **CLAIM**

The ornamental design for an electronic teller terminal, as shown.

DESCRIPTION

FIG. 1 is a perspective view taken from the top and front of an electronic teller terminal showing my new design;
FIG. 2 is a perspective view taken from the top, front and left side thereof;
FIG. 3 is a perspective view taken from the top and left side thereof;
FIG. 4 is a perspective view taken from the top and right side thereof; and
FIG. 5 is a rear elevational view thereof.

- [56] **References Cited**
U.S. PATENT DOCUMENTS
D. 230,308 2/1974 Knapp et al. D18/4
D. 232,126 7/1974 Conway et al. D14/106 X
D. 278,542 4/1985 Kakiuchi et al. D18/4
D. 279,687 7/1985 Akiyama D18/4

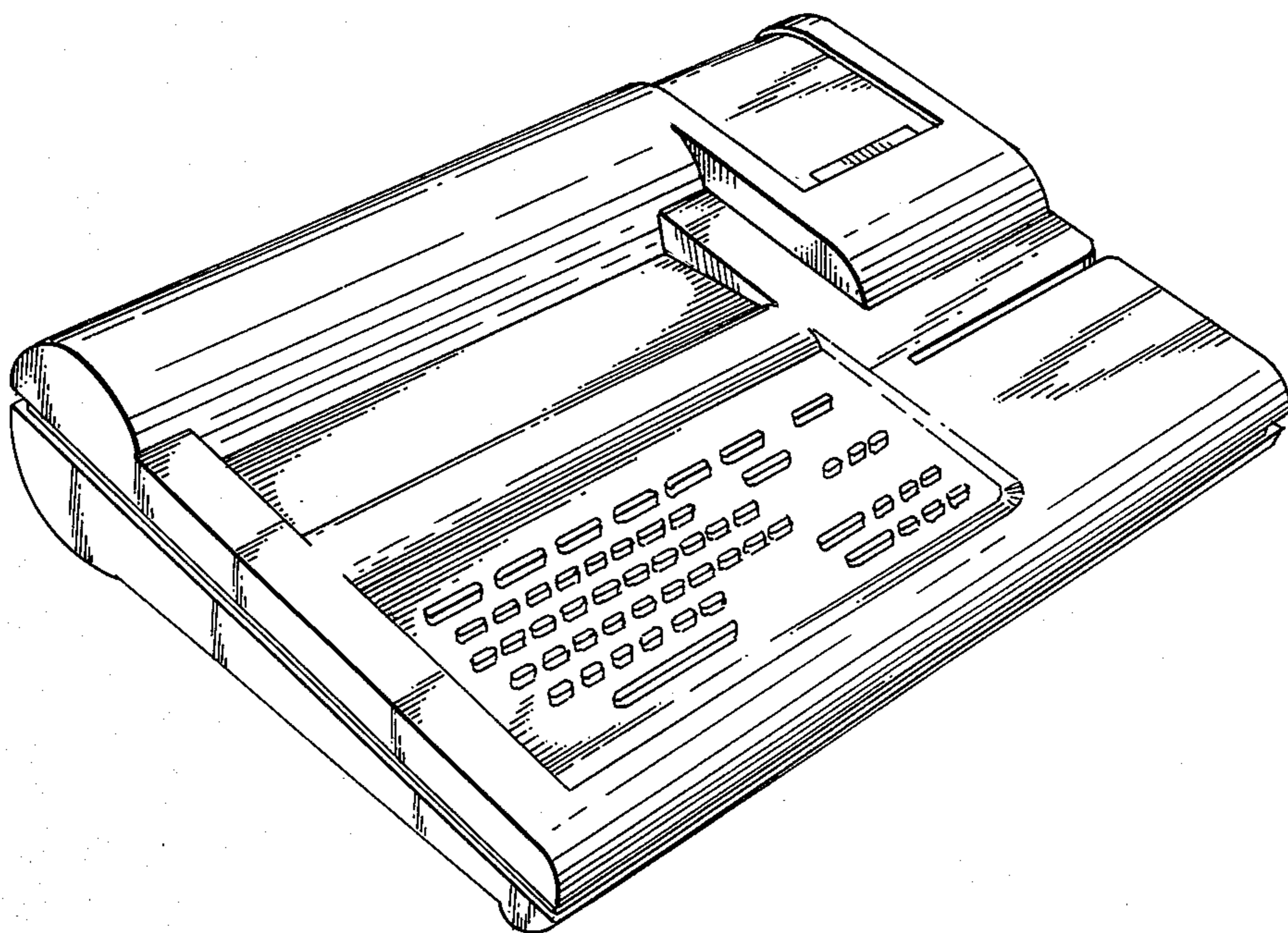


FIG. 1

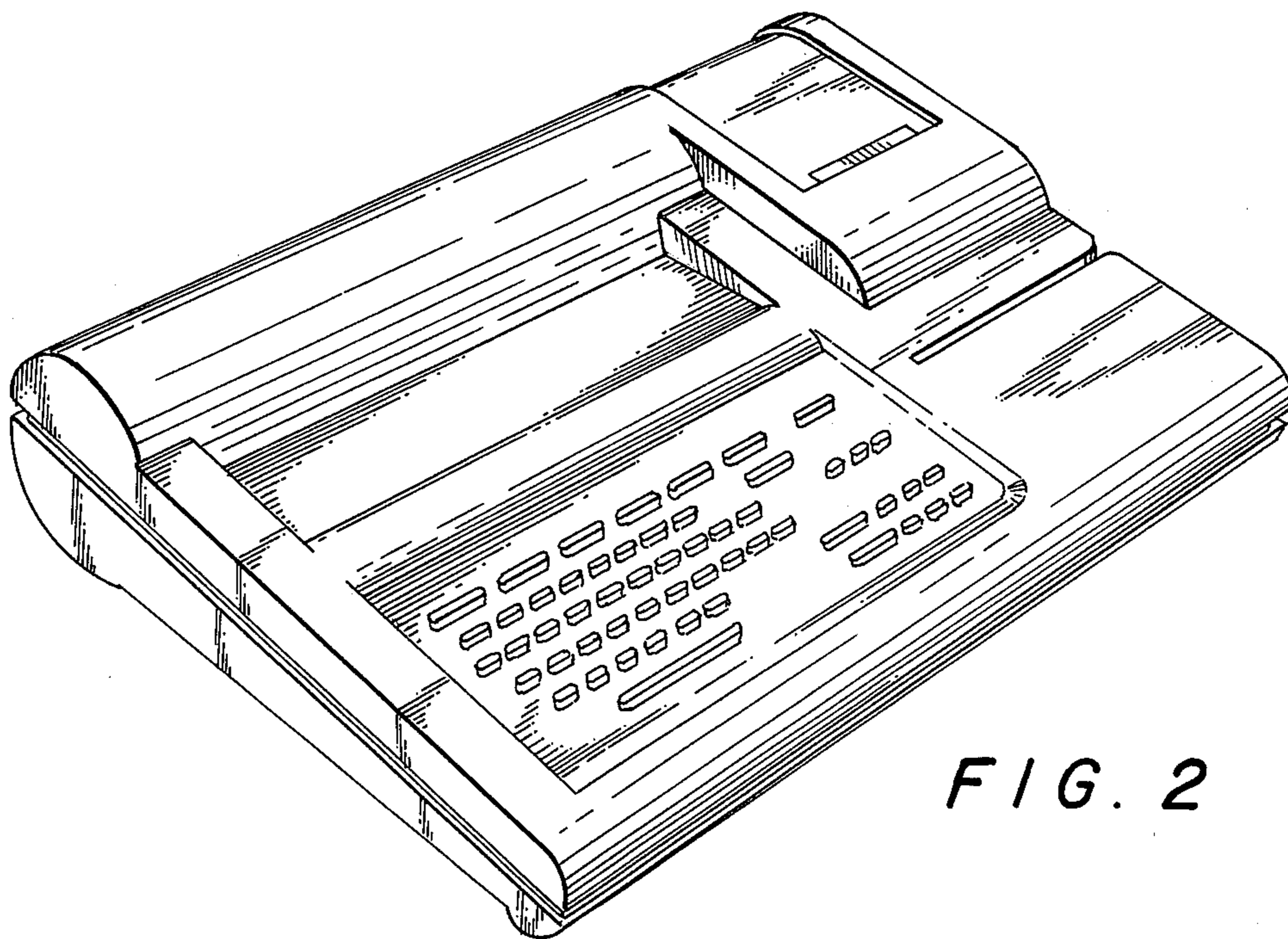
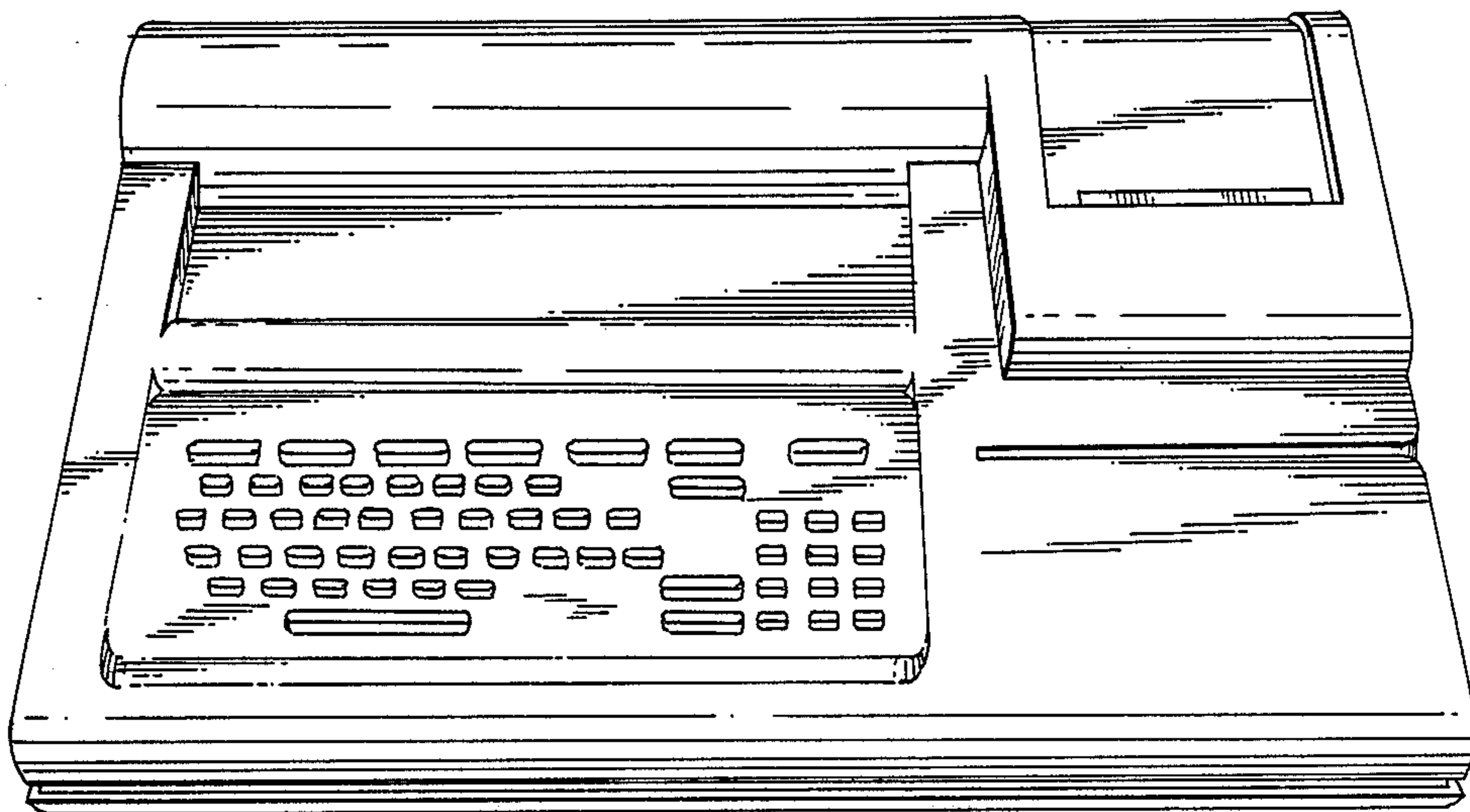


FIG. 2

FIG. 3

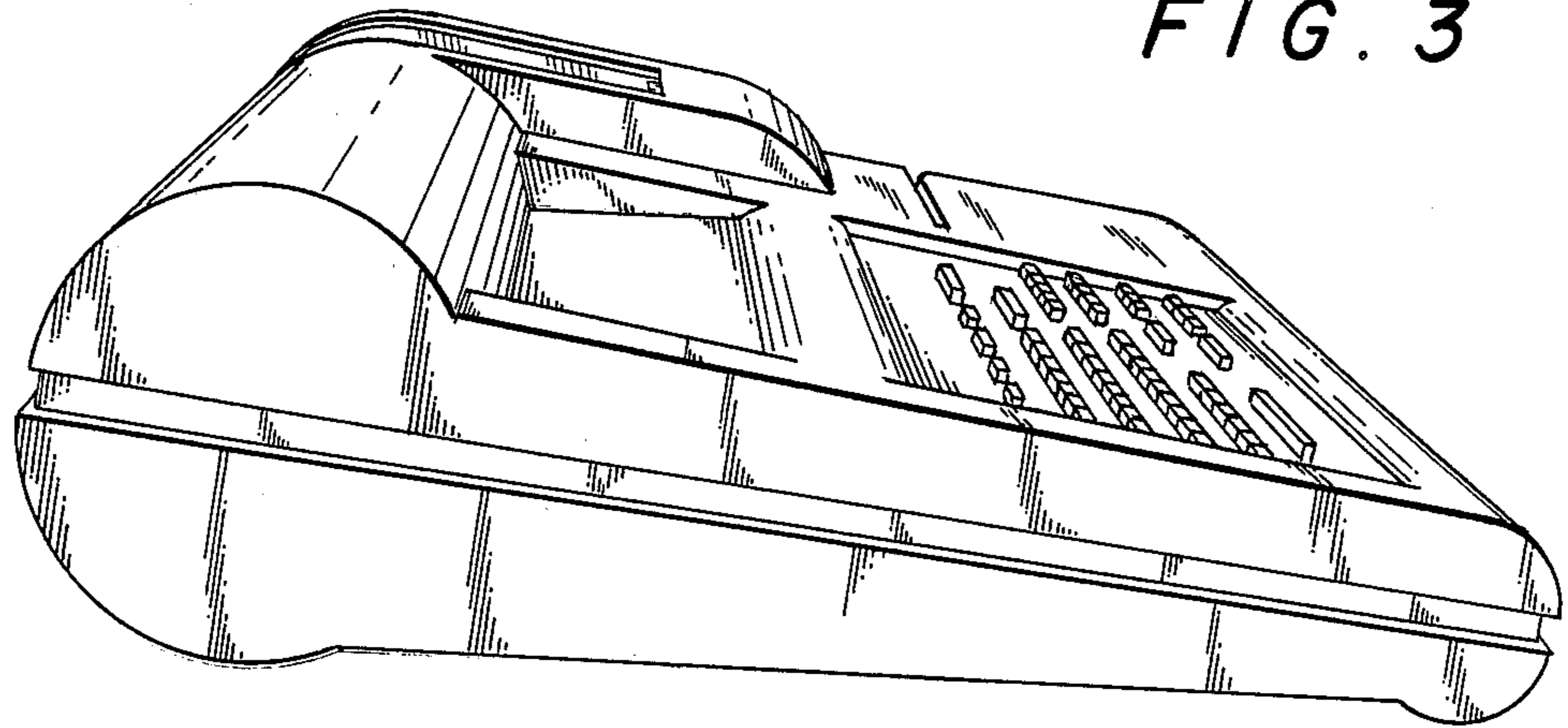


FIG. 4

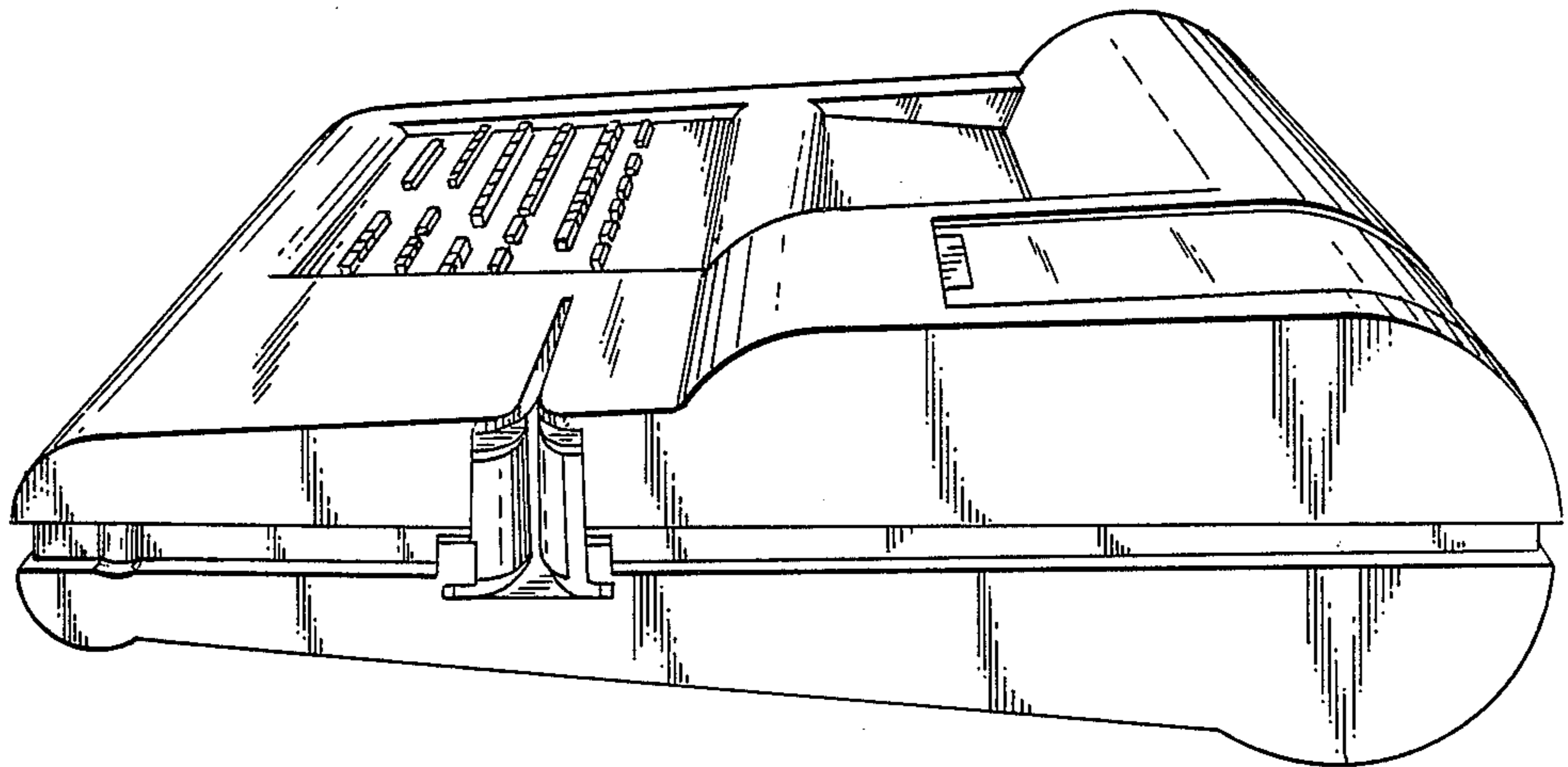


FIG. 5

